

6W LMT3811 35.4:1 Transformer

DESCRIPTION

This document describes and specifies the electrical and mechanical characteristics of the SGE2655-3G high voltage transformer for CCFL inverter power supplies. SGE2655-3G is the RoHS compliant and Lead free transformer. For Reliability and Safety Specification, refer to SGE2606-2.

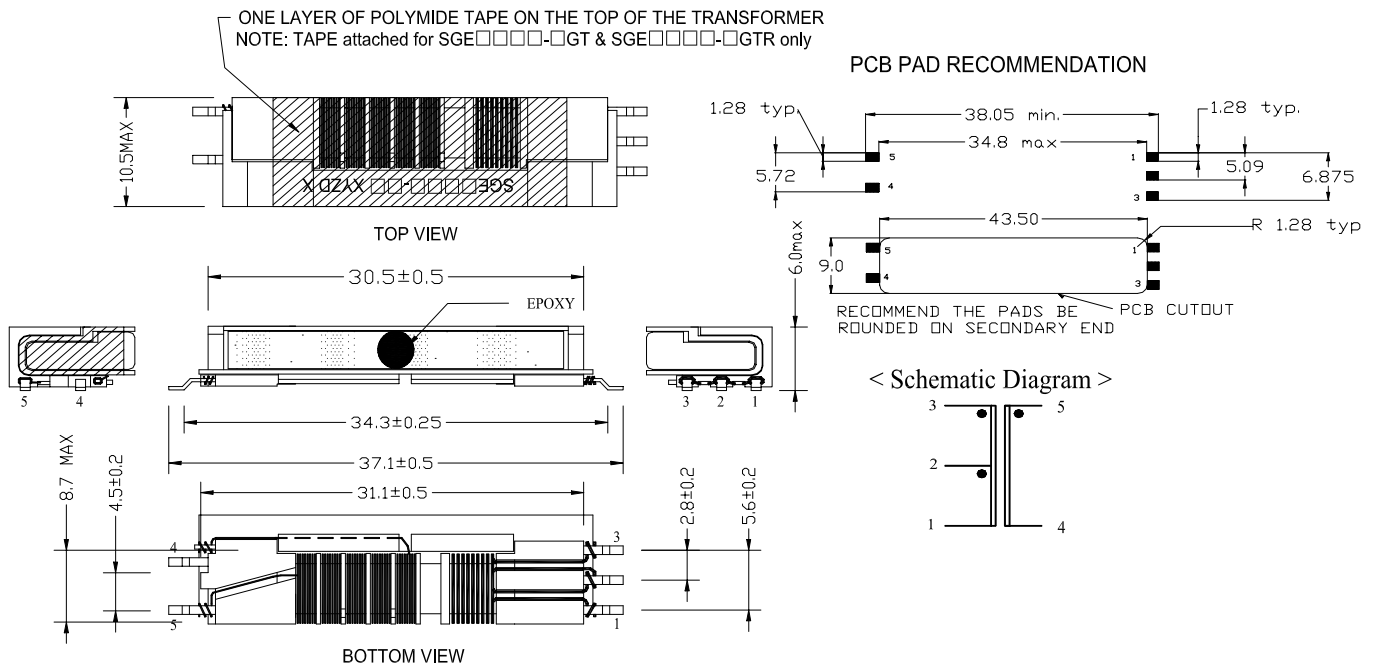
ELECTRICAL CHARACTERISTICS

| Items | Inductance (@ 10KHz, 0.1V) | | | Items | DC. Resistance | | |
|--|------------------------------|------|------|--|------------------------------------|-----|------|
| | Min | Nom | Max | | Min | Nom | Max |
| L1-2, L2-3 (μH) | 222 | 245 | 266 | R _{DC} 1-2, R _{DC} 2-3(mΩ) | 180 | 187 | 194 |
| L4-5 (mH) | 830 | 1012 | 1230 | R _{DC} 4-5 (Ω) | 390 | 415 | 430 |
| L _{LKG1-2} , L _{LKG2-3} (μH) | Inductance (@ 100KHz, 1V) | | | R _{DC} 1-2 / R _{DC} 2-3 | 0.96 | 1 | 1.04 |
| | 21 | 23 | 25 | | | | |
| L _{LKG4-5} (mH) | NA | NA | NA | Secondary Self Capacitance (HP4192A 1MHz C meter, 30mVrms) | | | |
| | | | | C _{4.5} (pF) | 2.0 | 2.5 | 3.5 |
| Rating | | | | Dielectric Voltage Withstand | | | |
| Note: Max output power varies depend on operating condition. | | | | 60Hz, Arc-detect enabled, 5 sec. min. 200μA max. leakage current | | | |
| Max Open Output Voltage | 2000V _{RMS} , 3sec. | | | Secondary to Core | 2500V _{RMS} min. (60sec) | | |
| Max Output Voltage | 1100V _{RMS} | | | Primary to Core | 1000V _{RMS} min. | | |
| Max Output Power | 6W | | | Primary to Secondary | 2500V _{RMS} min. | | |

WINDING SPECIFICATIONS

| | Primary | | Secondary |
|------------------|-------------------------------|-------------------------------|-------------------------------|
| | Pin 1 – 2 | Pin 2 – 3 | Pin 4 – 5 |
| Winding Sequence | 2S – 1F | 3S – 2F | 5S – 4F |
| Wire Size & Type | #31, Single Insulation, 180°C | #31, Single Insulation, 180°C | #46, Triple Insulation, 180°C |
| Number of Turns | 24 | 24 | 1700 |
| Winding Method | Bifilar | | Skip sector 1. (Empty) |

PHYSICAL SPECIFICATIONS & WIRING DIAGRAM



PART MARKING

SGE□□□□-□G XYZD A – SGE2655-3G: MSC PN, XYZ: Datecode (X:YR, YZ=WK), D: Plant Code, A: Rev.#

PACKAGING SPEC AND ORDER INFORMATION

Packaging Order Information – SGE2655-3G (Standard for TRAY)
 SGE2655-3GTR (Tape and Reel)
 SGE2655-3GT (with Polyimide Tape for TRAY)

TAPE & REEL : Refer to SGE2604-4 specification



Microsemi[®]

Specification Number
SGE2655-3G
Revision. A (082905)

6W LMT3811 35.4:1 Transformer

NOTES

PRODUCTION DATA – Information contained in this document is proprietary to Microsemi and is current as of publication date. This document may not be modified in any way without the express written consent of Microsemi. Product processing does not necessarily include testing of all parameters. Microsemi reserves the right to change the configuration and performance of the product and to discontinue product at any time.