



**SGF9**

**For C to X-band Local Oscillator and Amplifier**

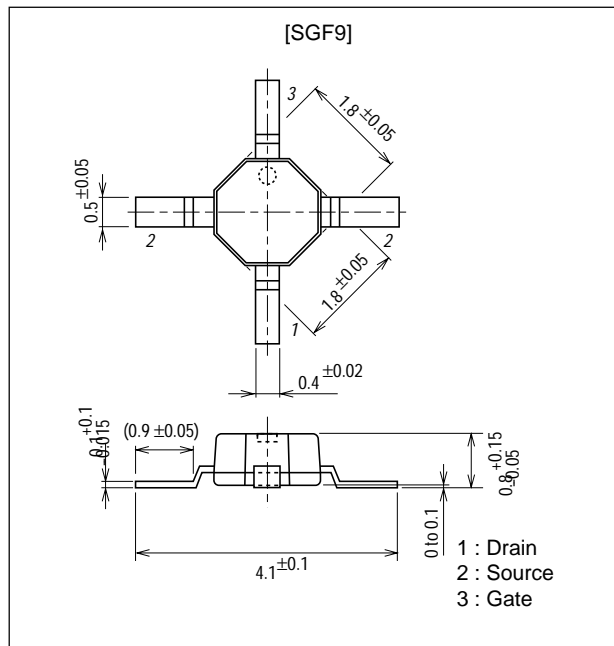
Preliminary

**Features**

- Mold package-owing to the cross-mold technology, this product can maintain the same performance as the ceramic package.
- The chip surface is covered with the highly reliable protection film.
- Automatic surface mounting is available.

**Package Dimensions**

unit : mm  
0000



**Specifications**

**Absolute Maximum Ratings** at Ta=25°C

Parameter	Symbol	Conditions	Ratings	Unit
Drain-to-Source Voltage	V <sub>DS</sub>		6.0	V
Gate-to-Source Voltage	V <sub>GS</sub>		-5.0	V
Drain Current	I <sub>D</sub>		100	mA
Allowable Power Dissipation	P <sub>D</sub>		130	mW
Junction Temperature	T <sub>J</sub>		150	°C
Storage Temperature	T <sub>stg</sub>		-55 to +150	°C

**Electrical Characteristics** at Ta=25°C

Parameter	Symbol	Conditions	Ratings			Unit
			min	typ	max	
Gate-to-Source Leak Current	V <sub>(BR)GSO</sub>	I <sub>GS</sub> =-10μA	-5.0			V
Saturated Drain Current	I <sub>DSS</sub>	V <sub>DS</sub> =3V, V <sub>GS</sub> =0	30	40	70	mA
Gate-to-Source Cutoff Voltage	V <sub>GS(off)</sub>	V <sub>DS</sub> =3V, I <sub>D</sub> =100μA	-0.5		-5.0	V
Forward Transfer Admittance	y <sub>fs</sub>	V <sub>DS</sub> =3V, I <sub>D</sub> =10mA	20	35		mS

Continued on next page.

■ Any and all SANYO products described or contained herein do not have specifications that can handle applications that require extremely high levels of reliability, such as life-support systems, aircraft's control systems, or other applications whose failure can be reasonably expected to result in serious physical and/or material damage. Consult with your SANYO representative nearest you before using any SANYO products described or contained herein in such applications.

■ SANYO assumes no responsibility for equipment failures that result from using products at values that exceed, even momentarily, rated values (such as maximum ratings, operating condition ranges, or other parameters) listed in products specifications of any and all SANYO products described or contained herein.

## SGF9

Continued from preceding page.

Parameter	Symbol	Conditions	Ratings			Unit
			min	typ	max	
Minimum Noise Figure	NF min	V <sub>DS</sub> =3V, I <sub>D</sub> =10mA, f=12GHz		2.5		dB
Associated Gain	Ga	V <sub>DS</sub> =3V, I <sub>D</sub> =10mA, f=12GHz		5.0		dB
Maximum Available Gain	MAG	V <sub>DS</sub> =3V, I <sub>D</sub> =10mA, f=12GHz		7.0		dB

### S-Parameter

SGF9

V<sub>DS</sub>=3V, I<sub>DS</sub>=10mA

FREQUENCY MHz	S11		S21		S12		S22	
	MAG	ANG	MAG	ANG	MAG	ANG	MAG	ANG
1000.0000	0.978	-25.5	3.020	157.3	0.042	71.7	0.741	-14.5
2000.0000	0.928	-50.3	2.868	136.6	0.078	56.9	0.702	-28.1
3000.0000	0.872	-74.4	2.696	116.9	0.107	42.4	0.649	-41.4
4000.0000	0.810	-97.8	2.468	97.8	0.124	29.5	0.585	-53.9
5000.0000	0.758	-119.5	2.241	80.9	0.134	18.1	0.529	-66.4
6000.0000	0.729	-140.1	2.046	64.5	0.138	8.1	0.480	-79.5
7000.0000	0.704	-157.7	1.829	49.3	0.134	-0.1	0.446	-92.7
8000.0000	0.701	-172.8	1.661	36.0	0.127	-5.1	0.429	-106.3
9000.0000	0.701	173.2	1.509	23.1	0.121	-9.2	0.423	-120.2
10000.0000	0.705	160.4	1.370	10.7	0.115	-12.4	0.422	-135.1
11000.0000	0.720	149.0	1.255	-0.9	0.109	-12.6	0.434	-150.1
12000.0000	0.733	138.5	1.134	-12.8	0.102	-12.4	0.458	-164.3
13000.0000	0.750	131.2	1.007	-22.3	0.100	-9.6	0.495	-177.4
14000.0000	0.777	122.8	0.929	-32.1	0.104	-7.3	0.535	170.6
15000.0000	0.785	115.3	0.836	-41.2	0.109	-6.5	0.577	160.0
16000.0000	0.799	108.0	0.763	-49.6	0.118	-7.0	0.610	149.5

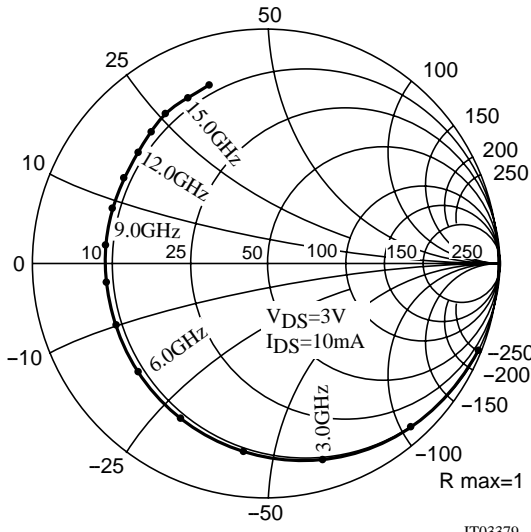
SGF9

V<sub>DS</sub>=3V, I<sub>DS</sub>=10mA

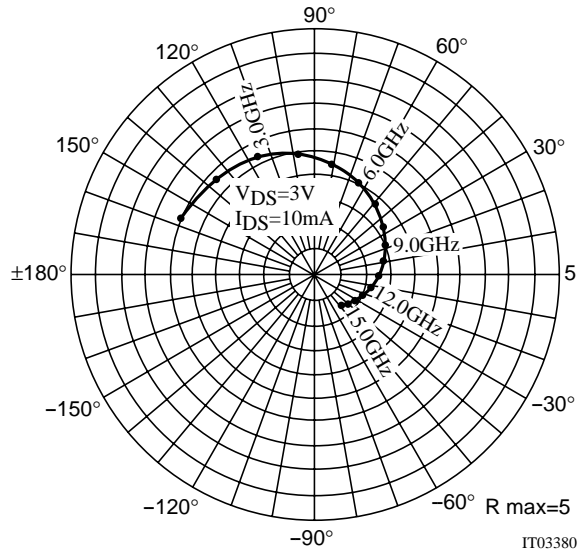
FREQUENCY MHz	GU max dB	GA max dB	S21 ^2 dB	S12 ^2 dB	K	Delay ns	Mason's U dB	G1 dB	G2 dB
1000.0000	26.67		9.60	-27.54	0.15	0.060	26.521	13.61	3.46
2000.0000	20.68		9.15	-22.16	0.25	0.058	24.262	8.58	2.95
3000.0000	17.19		8.61	-19.41	0.33	0.055	22.599	6.20	2.37
4000.0000	14.30		7.85	-18.13	0.45	0.052	20.846	4.64	1.82
5000.0000	12.15		7.01	-17.46	0.56	0.046	18.943	3.71	1.43
6000.0000	10.65		6.22	-17.20	0.65	0.046	18.621	3.29	1.14
7000.0000	9.18		5.24	-17.46	0.79	0.041	16.467	2.97	0.96
8000.0000	8.23		4.41	-17.92	0.90	0.037	16.145	2.94	0.88
9000.0000	7.37	10.53	3.57	-18.34	1.00	0.036	15.317	2.94	0.86
10000.0000	6.57	8.60	2.73	-18.79	1.13	0.033	13.909	2.98	0.85
11000.0000	6.05	7.96	1.97	-19.25	1.19	0.033	13.557	3.17	0.91
12000.0000	5.46	7.16	1.09	-19.83	1.30	0.034	11.820	3.35	1.02
13000.0000	4.87	6.59	0.06	-20.00	1.33	0.025	10.636	3.59	1.22
14000.0000	4.84	7.22	-0.64	-19.66	1.14	0.027	11.879	4.02	1.46
15000.0000	4.36	7.03	-1.56	-19.25	1.09	0.024	10.633	4.16	1.76
16000.0000	4.09		-2.35	-18.56	0.97	0.021	10.480	4.42	2.02

S-Parameter

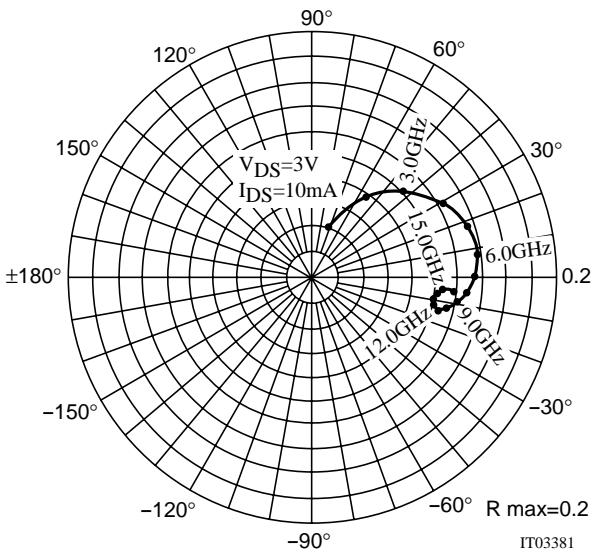
S11



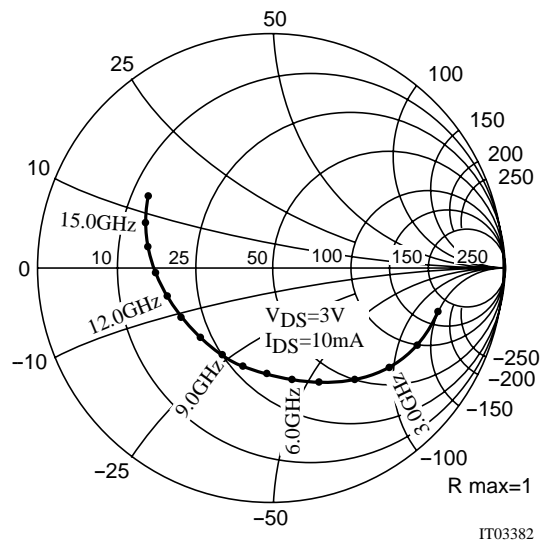
S21



S12



S22



START 1GHz  
STOP 16GHz

# SGF9

## S-Parameter

SGF9

V<sub>DS</sub>=3V, I<sub>DS</sub>=20mA

FREQUENCY MHz	S11		S21		S12		S22	
	MAG	ANG	MAG	ANG	MAG	ANG	MAG	ANG
1000.0000	0.973	-27.7	3.699	156.7	0.039	70.9	0.715	-15.0
2000.0000	0.915	-54.4	3.454	134.6	0.071	56.0	0.670	-23.7
3000.0000	0.852	-79.9	3.187	114.7	0.095	41.8	0.613	-41.8
4000.0000	0.787	-104.0	2.861	95.7	0.108	29.6	0.547	-53.8
5000.0000	0.737	-126.0	2.559	79.2	0.116	19.4	0.491	-65.8
6000.0000	0.713	-146.3	2.306	63.3	0.118	10.6	0.444	-73.4
7000.0000	0.693	-163.6	2.045	48.6	0.114	4.7	0.412	-91.4
8000.0000	0.693	-178.1	1.846	35.8	0.110	1.7	0.397	-104.7
9000.0000	0.696	168.3	1.671	23.4	0.107	-0.8	0.391	-118.7
10000.0000	0.703	156.0	1.513	11.4	0.105	-2.3	0.390	-133.8
11000.0000	0.720	145.1	1.383	0.1	0.103	-1.7	0.405	-149.0
12000.0000	0.734	135.0	1.249	-11.4	0.102	-0.9	0.429	-164.1
13000.0000	0.751	128.1	1.114	-20.7	0.104	0.8	0.467	-176.8
14000.0000	0.779	119.9	1.026	-30.4	0.111	1.5	0.507	171.2
15000.0000	0.785	112.6	0.926	-39.3	0.120	1.5	0.550	160.6
16000.0000	0.800	105.6	0.848	-47.8	0.130	-1.1	0.585	150.2

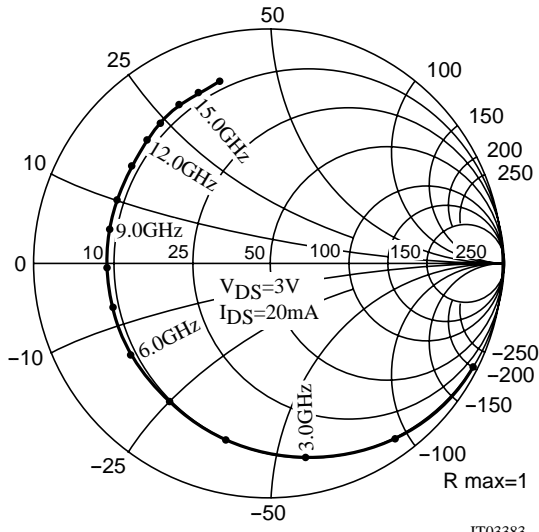
SGF9

V<sub>DS</sub>=3V, I<sub>DS</sub>=20mA

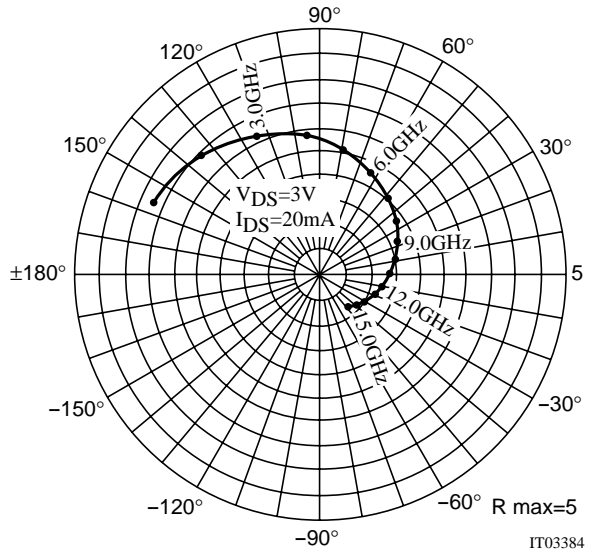
FREQUENCY MHz	GU max dB	GA max dB	S21 ^2 dB	S12 ^2 dB	K	Delay ns	Mason's U dB	G1 dB	G2 dB
1000.0000	27.21		11.36	-28.18	0.16	0.062	27.458	12.74	3.11
2000.0000	21.24		10.77	-22.97	0.26	0.060	25.596	7.88	2.59
3000.0000	17.74		10.07	-20.45	0.36	0.056	24.093	5.62	2.05
4000.0000	14.87		9.13	-19.33	0.49	0.051	21.882	4.19	1.54
5000.0000	12.76		8.16	-18.71	0.61	0.045	20.065	3.40	1.20
6000.0000	11.29		7.26	-18.56	0.71	0.044	19.513	3.08	0.95
7000.0000	9.86		6.21	-18.86	0.87	0.040	17.573	2.84	0.81
8000.0000	8.91		5.32	-19.17	0.97	0.036	17.350	2.84	0.74
9000.0000	8.06	10.34	4.46	-19.41	1.07	0.034	16.472	2.88	0.72
10000.0000	7.27	9.15	3.60	-19.58	1.16	0.032	15.167	2.96	0.72
11000.0000	6.77	8.62	2.82	-19.74	1.19	0.032	14.730	3.17	0.78
12000.0000	6.18	7.93	1.93	-19.83	1.24	0.032	13.060	3.36	0.88
13000.0000	5.61	7.46	0.94	-19.66	1.22	0.025	11.860	3.61	1.07
14000.0000	5.57	8.49	0.22	-19.09	1.04	0.027	13.079	4.05	1.29
15000.0000	5.06		-0.67	-18.42	0.98	0.023	11.592	4.16	1.56
16000.0000	4.82		-1.43	-17.72	0.86	0.021	11.773	4.44	1.82

S-Parameter

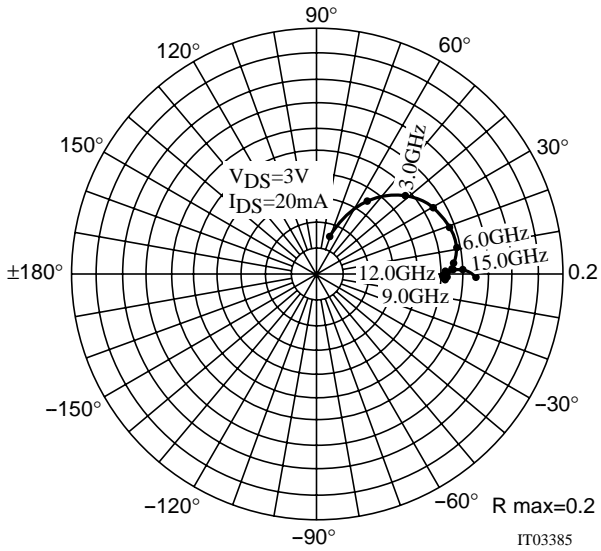
S11



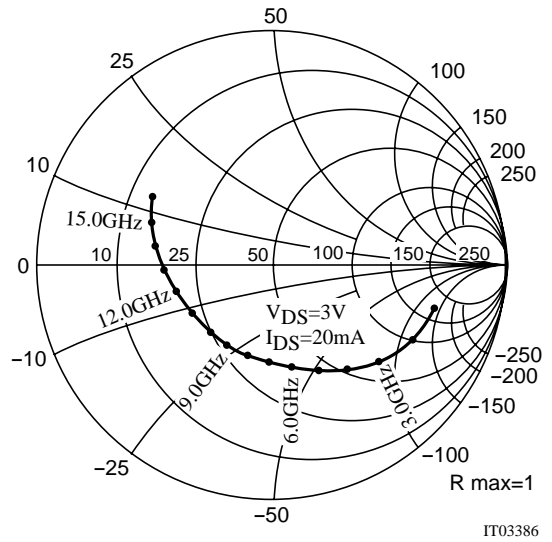
S21



S12



S22



START 1GHz  
STOP 16GHz

# SGF9

## S-Parameter

SGF9

V<sub>DS</sub>=3V, I<sub>DS</sub>=30mA

FREQUENCY MHz	S11		S21		S12		S22	
	MAG	ANG	MAG	ANG	MAG	ANG	MAG	ANG
1000.0000	0.970	-29.2	4.062	155.9	0.036	70.4	0.713	-15.0
2000.0000	0.908	-57.0	3.764	133.4	0.066	55.7	0.666	-28.4
3000.0000	0.841	-83.1	3.432	113.3	0.087	41.6	0.607	-41.1
4000.0000	0.775	-107.6	3.051	94.4	0.098	29.8	0.543	-52.5
5000.0000	0.728	-129.5	2.709	78.0	0.104	20.6	0.488	-64.0
6000.0000	0.708	-149.7	2.427	62.4	0.106	13.2	0.444	-76.1
7000.0000	0.690	-166.7	2.147	48.1	0.102	8.1	0.415	-88.7
8000.0000	0.693	179.0	1.935	35.4	0.099	6.3	0.400	-101.9
9000.0000	0.697	165.8	1.746	23.1	0.097	5.3	0.396	-115.7
10000.0000	0.706	153.7	1.581	11.3	0.098	4.6	0.394	-130.7
11000.0000	0.724	143.1	1.443	0.1	0.099	6.3	0.408	-146.0
12000.0000	0.739	133.3	1.303	-11.4	0.102	6.8	0.432	-161.4
13000.0000	0.756	126.5	1.161	-20.6	0.107	8.1	0.469	-174.3
14000.0000	0.785	118.5	1.070	-30.4	0.116	7.7	0.511	173.4
15000.0000	0.790	111.3	0.965	-39.2	0.125	6.2	0.552	162.7
16000.0000	0.805	104.2	0.885	-47.8	0.137	3.5	0.587	152.1

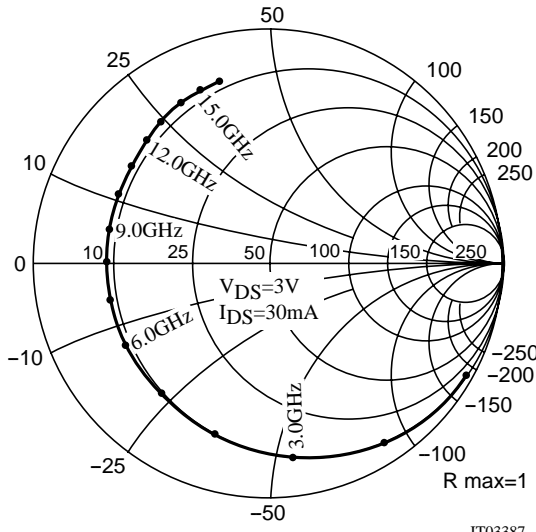
SGF9

V<sub>DS</sub>=3V, I<sub>DS</sub>=30mA

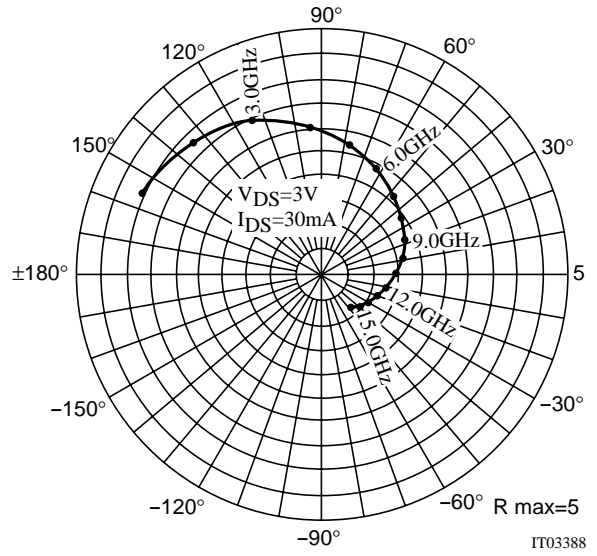
FREQUENCY MHz	GU max dB	GA max dB	S21 ^2 dB	S12 ^2 dB	K	Delay ns	Mason's U dB	G1 dB	G2 dB
1000.0000	27.54		12.17	-28.87	0.17	0.064	28.076	12.28	3.03
2000.0000	21.62		11.51	-23.61	0.27	0.061	26.836	7.56	2.55
3000.0000	18.04		10.71	-21.21	0.38	0.056	24.721	5.34	2.00
4000.0000	15.19		9.69	-20.18	0.52	0.051	22.314	3.99	1.52
5000.0000	13.12		8.66	-19.66	0.64	0.045	20.778	3.28	1.18
6000.0000	11.68		7.70	-19.49	0.74	0.043	20.850	3.02	0.95
7000.0000	10.27		6.64	-19.83	0.91	0.039	18.328	2.81	0.82
8000.0000	9.33	12.31	5.73	-20.09	1.01	0.035	18.191	2.84	0.76
9000.0000	8.47	10.55	4.84	-20.26	1.11	0.034	17.137	2.89	0.74
10000.0000	7.71	9.59	3.98	-20.18	1.17	0.032	16.068	3.00	0.73
11000.0000	7.20	9.15	3.19	-20.09	1.17	0.032	15.611	3.23	0.79
12000.0000	6.63	8.62	2.30	-19.83	1.16	0.032	14.114	3.43	0.90
13000.0000	6.06	8.27	1.30	-19.41	1.12	0.024	12.816	3.68	1.08
14000.0000	6.06		0.59	-18.71	0.92	0.027	14.586	4.16	1.31
15000.0000	5.52		-0.31	-18.06	0.88	0.023	12.541	4.25	1.58
16000.0000	5.31		-1.06	-17.27	0.77	0.022	12.617	4.53	1.83

S-Parameter

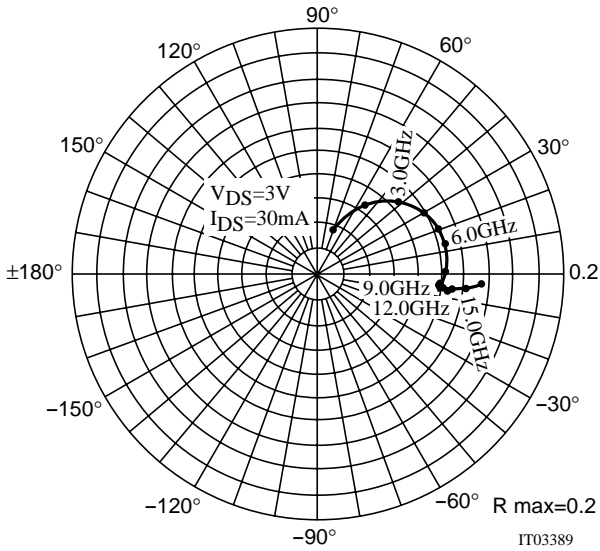
S11



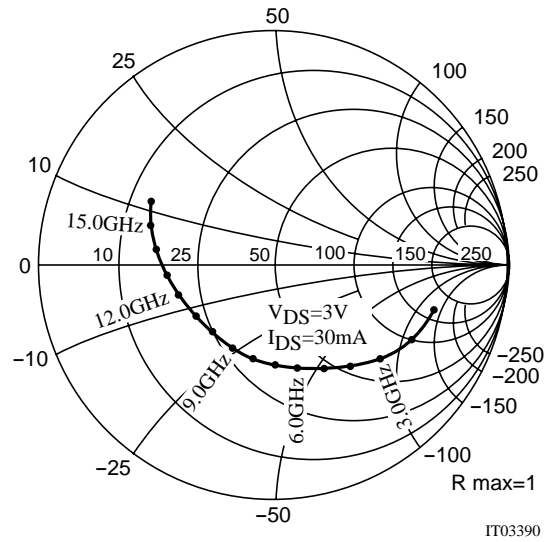
S21



S12



S22



START 1GHz  
STOP 16GHz

- Specifications of any and all SANYO products described or contained herein stipulate the performance, characteristics, and functions of the described products in the independent state, and are not guarantees of the performance, characteristics, and functions of the described products as mounted in the customer's products or equipment. To verify symptoms and states that cannot be evaluated in an independent device, the customer should always evaluate and test devices mounted in the customer's products or equipment.
- SANYO Electric Co., Ltd. strives to supply high-quality high-reliability products. However, any and all semiconductor products fail with some probability. It is possible that these probabilistic failures could give rise to accidents or events that could endanger human lives, that could give rise to smoke or fire, or that could cause damage to other property. When designing equipment, adopt safety measures so that these kinds of accidents or events cannot occur. Such measures include but are not limited to protective circuits and error prevention circuits for safe design, redundant design, and structural design.
- In the event that any or all SANYO products(including technical data, services) described or contained herein are controlled under any of applicable local export control laws and regulations, such products must not be exported without obtaining the export license from the authorities concerned in accordance with the above law.
- No part of this publication may be reproduced or transmitted in any form or by any means, electronic or mechanical, including photocopying and recording, or any information storage or retrieval system, or otherwise, without the prior written permission of SANYO Electric Co., Ltd.
- Any and all information described or contained herein are subject to change without notice due to product/technology improvement, etc. When designing equipment, refer to the "Delivery Specification" for the SANYO product that you intend to use.
- Information (including circuit diagrams and circuit parameters) herein is for example only ; it is not guaranteed for volume production. SANYO believes information herein is accurate and reliable, but no guarantees are made or implied regarding its use or any infringements of intellectual property rights or other rights of third parties.

This catalog provides information as of April, 2001. Specifications and information herein are subject to change without notice.