

GENERAL DESCRIPTION

The SGM11124F is a single-pole/four-throw (SP4T) antenna switch, which supports from 0.1GHz to 6GHz. The device features low insertion loss and high isolation, which makes it suitable for high linearity receiving application. It also has the advantage of high linearity performance. The SGM11124F is not subject to cellular interference and is applied to multi-mode and multi-band LTE mobile phones.

The SGM11124F has the ability to integrate SP4T RF switch and GPIO controller on an SOI chip. Internal driver and decoder for switch control signals are offered by the GPIO controller, which makes it flexible in RF path band and routing selection.

No external DC blocking capacitors required on the RF paths as long as no external DC voltage is applied, which can save PCB area and cost.

The SGM11124F is available in a Green ULGA-1.1×1.1-9L package.

APPLICATIONS

3G/4G/5G Rx and Diversity Applications

FEATURES

- **Supply Voltage Range: 2.4V to 3V**
- **GPIO Controller**
- **Operating Frequency Range: 0.1GHz to 6GHz**
- **Advanced Silicon-On-Insulator (SOI) Process**
- **Low Insertion Loss: 0.4dB (TYP) at 2.7GHz**
- **High Isolation: 18dB (MIN) at 2.7GHz**
- **No External DC Blocking Capacitors Required**
- **Available in a Green ULGA-1.1×1.1-9L Package**

BLOCK DIAGRAM

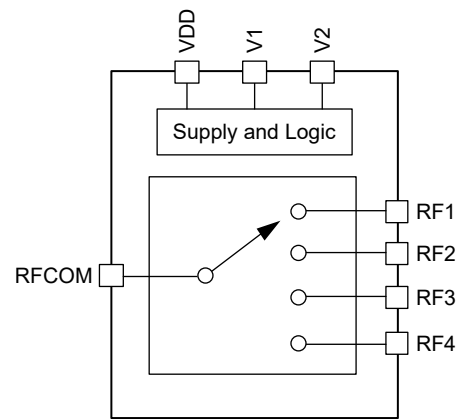


Figure 1. SGM11124F Block Diagram

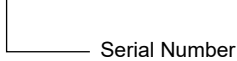
PACKAGE/ORDERING INFORMATION

MODEL	PACKAGE DESCRIPTION	SPECIFIED TEMPERATURE RANGE	ORDERING NUMBER	PACKAGE MARKING	PACKING OPTION
SGM11124F	ULGA-1.1×1.1-9L	-40°C to +85°C	SGM11124FYULA9G/TR	ZS	Tape and Reel, 3000

MARKING INFORMATION

NOTE: Fixed character for ZS.

YY



Green (RoHS & HSF): SG Micro Corp defines "Green" to mean Pb-Free (RoHS compatible) and free of halogen substances. If you have additional comments or questions, please contact your SGMICRO representative directly.

ABSOLUTE MAXIMUM RATINGS

Supply Voltage, V_{DD}	3.3V
Control Voltage (V1 and V2 Pins), V_{CTL}	3V
RF Input Power, P_{IN}	27dBm
Junction Temperature.....	+150°C
Storage Temperature Range.....	-55°C to +150°C
Lead Temperature (Soldering, 10s).....	+260°C
ESD Susceptibility	
HBM.....	1000V

RECOMMENDED OPERATING CONDITIONS

Operating Temperature Range.....	-40°C to +85°C
Operating Frequency Range.....	0.1GHz to 6GHz
Supply Voltage, V_{DD}	2.4V to 3V
Control High Voltage, V_{CTL_H}	1.35V to 3V
Control Low Voltage, V_{CTL_L}	0 V to 0.4V

OVERSTRESS CAUTION

Stresses beyond those listed in Absolute Maximum Ratings may cause permanent damage to the device. Exposure to absolute maximum rating conditions for extended periods may affect reliability. Functional operation of the device at any conditions beyond those indicated in the Recommended Operating Conditions section is not implied.

ESD SENSITIVITY CAUTION

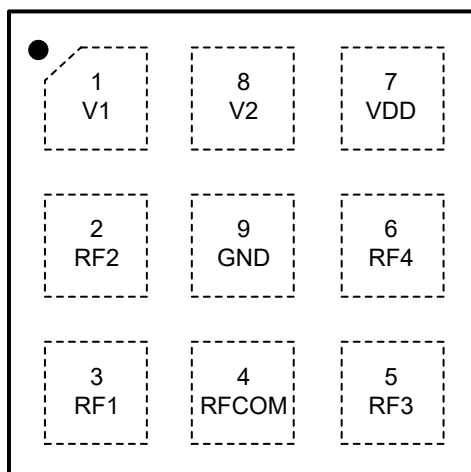
This integrated circuit can be damaged if ESD protections are not considered carefully. SGMICRO recommends that all integrated circuits be handled with appropriate precautions. Failure to observe proper handling and installation procedures can cause damage. ESD damage can range from subtle performance degradation to complete device failure. Precision integrated circuits may be more susceptible to damage because even small parametric changes could cause the device not to meet the published specifications.

DISCLAIMER

SG Micro Corp reserves the right to make any change in circuit design, or specifications without prior notice.

PIN CONFIGURATION

(TOP VIEW)



ULGA-1.1x1.1-9L

PIN DESCRIPTION

PIN	NAME	FUNCTION
1	V1	DC Control Voltage 1.
2	RF2	RF Port 2.
3	RF1	RF Port 1.
4	RFCOM	RF Common Port.
5	RF3	RF Port 3.
6	RF4	RF Port 4.
7	VDD	DC Power Supply.
8	V2	DC Control Voltage 2.
9	GND	Ground.

LOGIC TRUTH TABLE

VDD	V1	V2	ACTIVE PATH
H	L	H	RFCOM to RF1
H	H	L	RFCOM to RF2
H	H	H	RFCOM to RF3
H	L	L	RFCOM to RF4

ELECTRICAL CHARACTERISTICS(V_{DD} = 2.4V to 3V, T_A = +25°C, P_{IN} = 0dBm, 50Ω, typical values are at V_{DD} = 2.8V, unless otherwise noted.)

PARAMETER	SYMBOL	CONDITIONS	MIN	TYP	MAX	UNITS
DC Specifications						
Supply Voltage	V _{DD}		2.4	2.8	3	V
Supply Current	I _{DD}			32	65	μA
Control Voltage	V _{CTL_H}	High	1.35	1.8	3	V
	V _{CTL_L}	Low	0		0.4	
Control Current	I _{CTL}	V _{CTL} = 0V		3	7	μA
Switching Time	t _{SW}	50% of control voltage to 90% of RF power		1	2	μs
Turn-On Time	t _{ON}	Time from V _{DD} = 0V to part on and RF at 90%		5	10	μs
RF Specifications						
Insertion Loss (RFCOM to All RF Ports)	IL	0.1GHz to 1.0GHz		0.20	0.41	dB
		1.0GHz to 2.0GHz		0.30	0.65	
		2.0GHz to 2.7GHz		0.40	1.01	
		2.7GHz to 5.0GHz		0.75	1.07	
		5.0GHz to 6.0GHz		0.85	1.32	
Isolation (RFCOM to All RF Ports)	ISO	0.1GHz to 1.0GHz	29	35		dB
		1.0GHz to 2.0GHz	19	30		
		2.0GHz to 2.7GHz	18	25		
		2.7GHz to 5.0GHz	12	16		
		5.0GHz to 6.0GHz	11	15		
Input Return Loss (RFCOM to All RF Ports)	RL	0.1GHz to 1.0GHz		25		dB
		1.0GHz to 2.0GHz		24		
		2.0GHz to 2.7GHz		23		
		2.7GHz to 5.0GHz		20		
		5.0GHz to 6.0GHz		19		
0.1dB Compression Point (RFCOM to All RF Ports)	P _{0.1dB}	0.1GHz to 6GHz		27		dBm

TYPICAL APPLICATION CIRCUIT

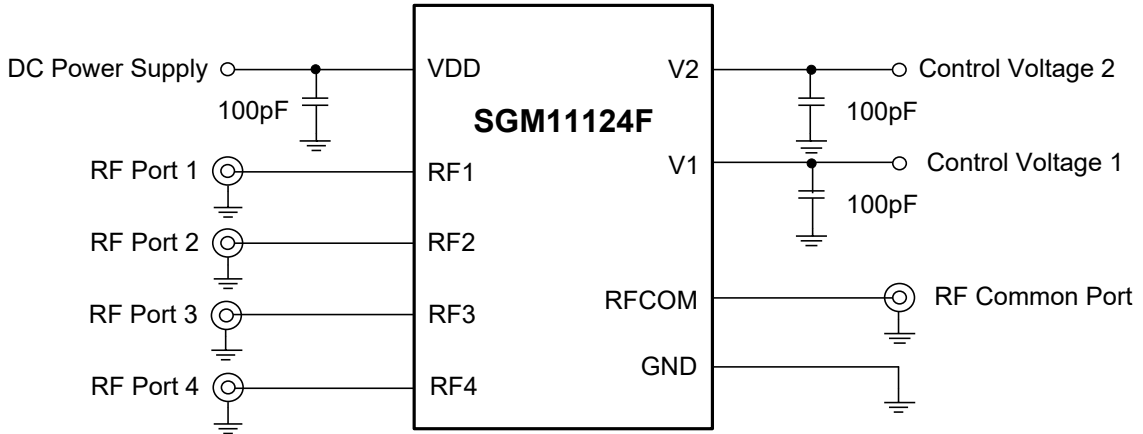


Figure 2. SGM1124F Typical Application Circuit

EVALUATION BOARD LAYOUT

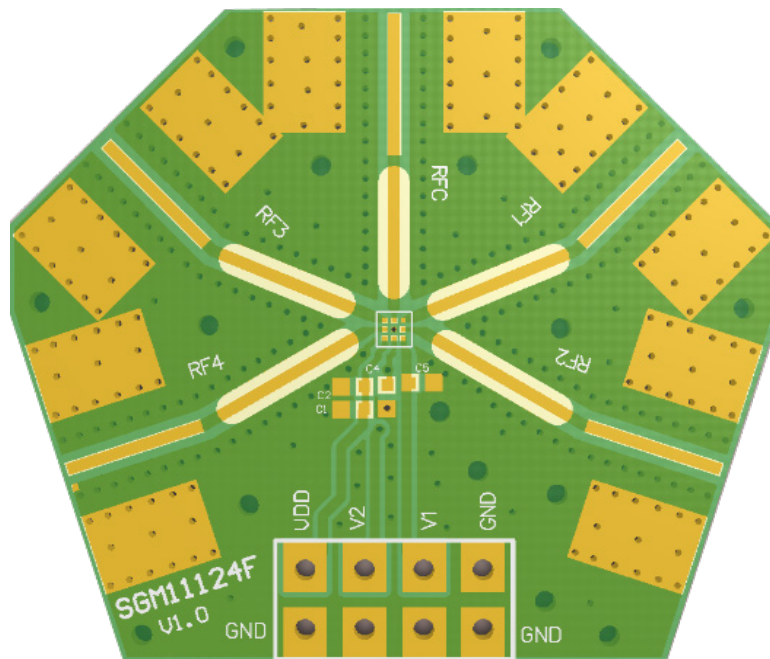


Figure 3. SGM1124F Evaluation Board Layout

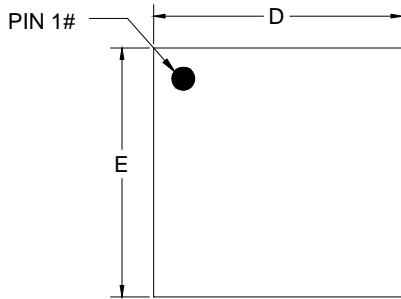
REVISION HISTORY

NOTE: Page numbers for previous revisions may differ from page numbers in the current version.

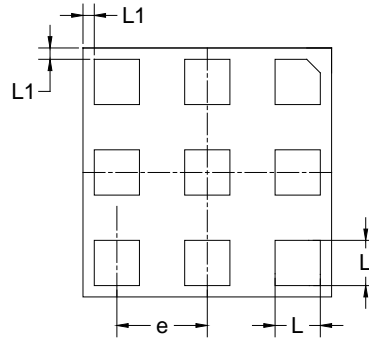
Changes from Original (MARCH 2022) to REV.A	Page
Changed from product preview to production data.....	All

PACKAGE OUTLINE DIMENSIONS

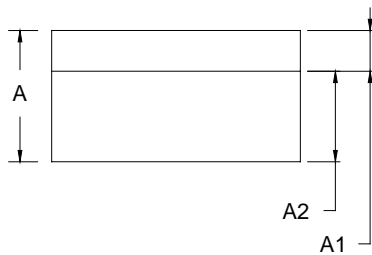
ULGA-1.1x1.1-9L



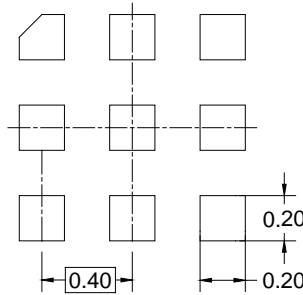
TOP VIEW



BOTTOM VIEW



SIDE VIEW



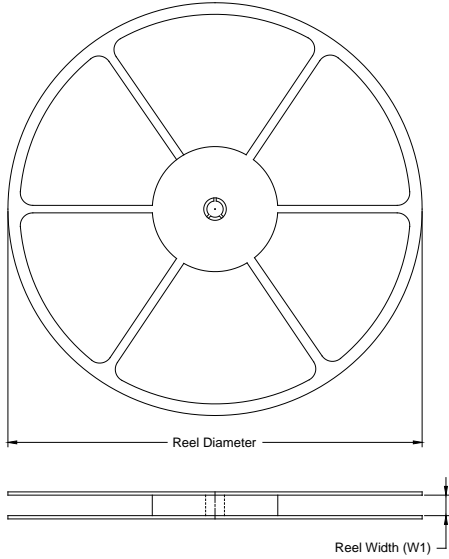
RECOMMENDED LAND PATTERN (Unit: mm)

Symbol	Dimensions In Millimeters		
	MIN	MOD	MAX
A	0.530	0.580	0.630
A1	0.150	0.180	0.210
A2	0.400 BSC		
D	1.000	1.100	1.200
E	1.000	1.100	1.200
e	0.400 BSC		
L	0.150	0.200	0.250
L1	0.050 REF		

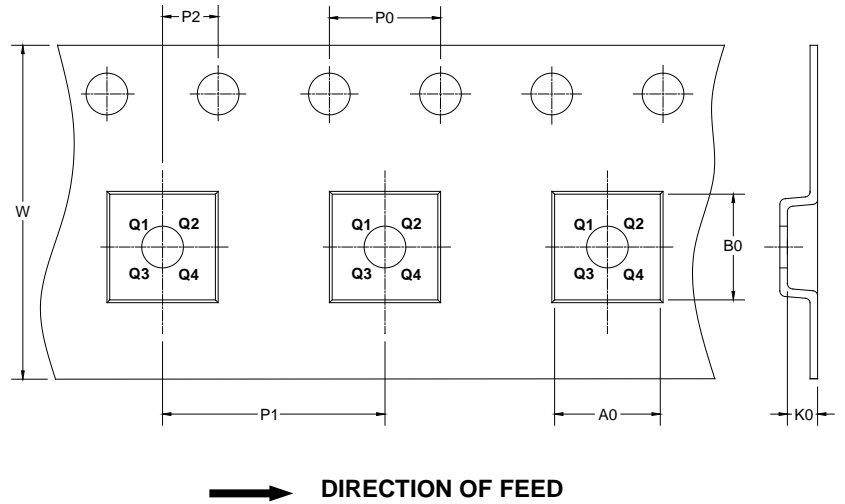
NOTE: This drawing is subject to change without notice.

TAPE AND REEL INFORMATION

REEL DIMENSIONS



TAPE DIMENSIONS



NOTE: The picture is only for reference. Please make the object as the standard.

KEY PARAMETER LIST OF TAPE AND REEL

Package Type	Reel Diameter	Reel Width W1 (mm)	A0 (mm)	B0 (mm)	K0 (mm)	P0 (mm)	P1 (mm)	P2 (mm)	W (mm)	Pin1 Quadrant
ULGA-1.1x1.1-9L	7"	8.6	1.26	1.26	0.72	4.0	4.0	2.0	8.0	Q2

000001

PACKAGE INFORMATION

CARTON BOX DIMENSIONS



NOTE: The picture is only for reference. Please make the object as the standard.

KEY PARAMETER LIST OF CARTON BOX

Reel Type	Length (mm)	Width (mm)	Height (mm)	Pizza/Carton
7" (Option)	368	227	224	8
7"	442	410	224	18

DD0002