



SH79F1617A

Enhanced 8051 Microcontroller with 10bit ADC

1. Features

- 8bits micro-controller with Pipe-line structured 8051 compatible instruction set
- Flash ROM: 16K Bytes
- RAM: internal 256 Bytes, external 512 Bytes
- Operation Voltage:
 $f_{OSC} = 400k - 16MHz$, $V_{DD} = 3.6V - 5.5V$
- Oscillator (code option):
 - Crystal oscillator: 400kHz - 16MHz
 - Ceramic oscillator: 400kHz - 16MHz
 - Internal RC: 12.3MHz/16MHz
- 30 CMOS bi-directional I/O pins
- 4 open-drain type I/O available
- 8 sink current strong drive ports
- Built-in pull-up resistor for input pin
- Three 16-bit timer/counters T0, T1 and T2
- Powerful interrupt sources:
 - Timer0, 1, 2
 - INT0, 1, 2, 3
 - INT4-7
 - ADC, EUART, SPI, PWM, SCM
- EUART
- One 12-bit PWM
- Two 8-bit PWM
- SPI interface (Master/Slave Mode)
- 8channels 10-bits Analog Digital Converter (ADC), with comparator function built-in
- Buzzer
- Low Voltage Reset (LVR) function (enabled by code option)
 - LVR voltage level 1: 4.1V
 - LVR voltage level 2: 3.7V
- CPU Machine cycle: 1 oscillator clock
- Watch Dog Timer (WDT)
- Warm-up Timer
- Support Low power operation modes:
 - Idle Mode
 - Power-Down Mode
- Flash Type
- Package: LQFP32

2. General Description

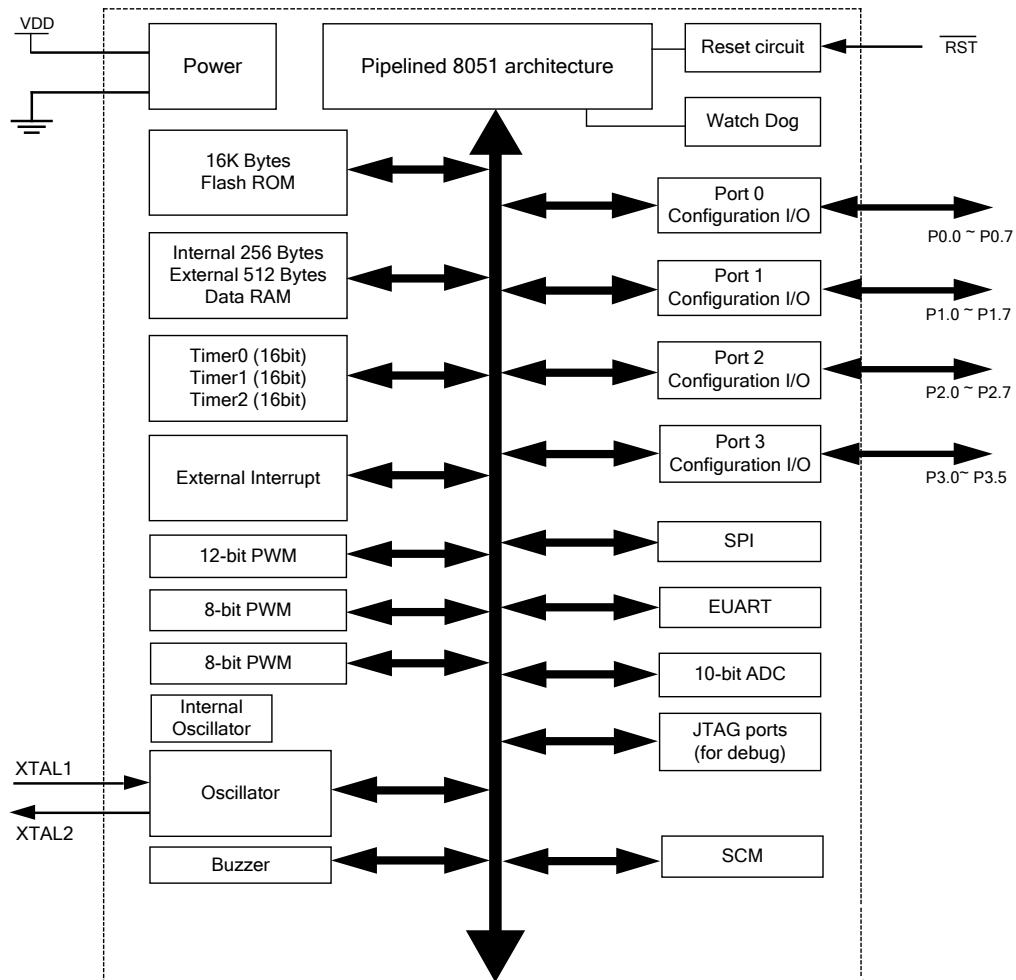
The SH79F1617A is a high performance 8051 compatible micro-controller, regard to its build-in Pipe-line instruction fetch structure, that helps the SH79F1617A can perform more fast operation speed and higher calculation performance, if compare SH79F1617A with standard 8051 at same clock speed.

The SH79F1617A retains most features of the standard 8051. These features include internal 256 bytes RAM, EUART and Int0-3. In addition, the SH79F1617A provides external 512 bytes RAM, It also contains 16K bytes Flash memory block both for program and data. Also the ADC and PWM timer functions are incorporated in SH79F1617A.

For high reliability and low cost issues, the SH79F1617A builds in Watchdog Timer, System Clock Monitor, and Low Voltage Reset function. And SH79F1617A also supports two power saving modes to reduce power consumption.



3. Block Diagram





4. Pin Configuration

32 LQFP

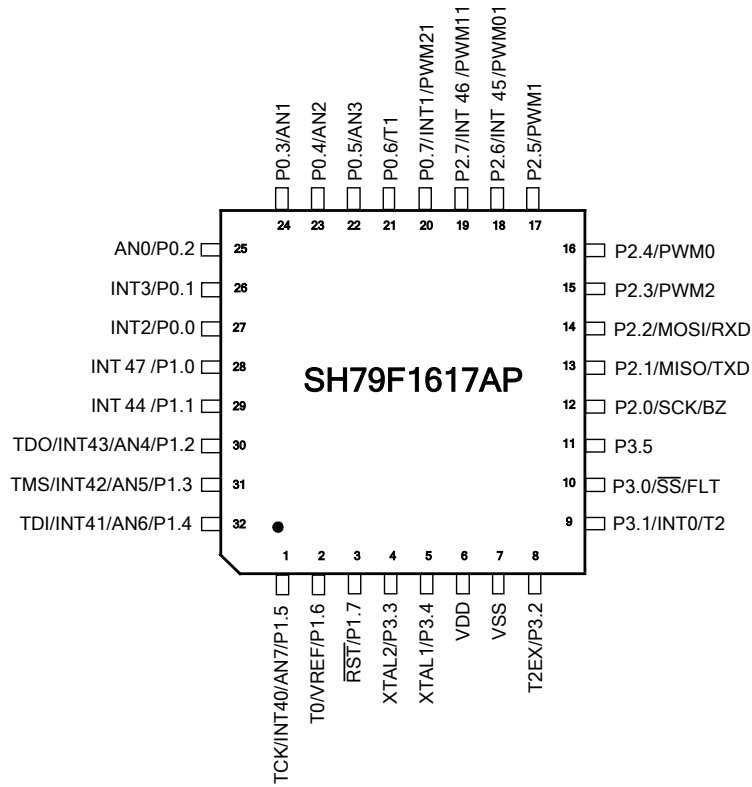




Table 4.1 Pin Function

Pin No. (32 LQFP)	Pin Name	Default Function
28	INT47/P1.0	P1.0
29	INT44/P1.1	P1.1
30	TDO/INT43/AN4/P1.2	P1.2
31	TMS/INT42/AN5/P1.3	P1.3
32	TDI/INT41/AN6/P1.4	P1.4
1	TCK/INT40/AN7/P1.5	P1.5
2	T0/VREF/P1.6	P1.6
3	$\overline{\text{RST}}$ /P1.7	Reset pin or P1.7 (code option)
6	V _{DD}	-----
7	V _{SS}	-----
5	XTAL1/P3.4	P3.4 or osc input pin (code option)
4	XTAL2/P3.3	P3.3 or osc output pin (code option)
8	T2EX/P3.2	P3.2
9	T2/INT0/P3.1	P3.1
10	$\overline{\text{FLT}}/\overline{\text{SS}}$ /P3.0	P3.0
11	P3.5	P3.5
12	BZ/SCK/P2.0	P2.0
13	TXD/MISO/P2.1	P2.1
14	RXD/MOSI/P2.2	P2.2
15	PWM2/P2.3	P2.3
16	PWM0/P2.4	P2.4
17	PWM1/P2.5	P2.5
18	PWM01/INT45/P2.6	P2.6
19	PWM11/INT46/P2.7	P2.7
20	PWM21/INT1/P0.7	P0.7
21	T1/P0.6	P0.6
*22	AN3/P0.5	P0.5
*23	AN2/P0.4	P0.4
*24	AN1/P0.3	P0.3
*25	AN0/P0.2	P0.2
26	INT3/P0.1	P0.1
27	INT2/P0.0	P0.0

***Note:**

- (1) P0.2, P0.3, P0.4, P0.5 are configured as N-channel open drain I/O
- (2) The out most pin function has the highest priority, and the inner most pin function has the lowest priority (Refer to Pin Configuration Diagram. This means when one pin is occupied by a higher priority function (if enabled) cannot be used as the lower priority functional pin, even when the lower priority function is also enabled. Until the higher priority function is closed by software, can the corresponding pin be released for the lower priority function use.



5. Pin Description

Pin No.	Type	Description
I/O PORT		
P0.0 - P0.7	I/O	8 bit General purpose CMOS I/O
P1.0 - P1.7	I/O	8 bit General purpose CMOS I/O
P2.0 - P2.7	I/O	8 bit General purpose CMOS I/O
P3.0 - P3.5	I/O	6 bit General purpose CMOS I/O
Timer		
T0	I/O	Timer0 external input/Comparator output
T1	I/O	Timer1 external input/Comparator output
T2	I/O	Timer2 external input/ Baud-Rate generator
T2EX	I	Timer 2 Reload/Capture/Direction Control
PWM		
PWM0	O	Output pin for 12-bit PWM timer
PWM1	O	Output pin for 8-bit PWM timer
PWM2	O	Output pin for 8-bit PWM timer
PWM01	O	Output pin for 12-bit PWM timer with fixed phase relationship of PWM0
PWM11	O	Output pin for 8-bit PWM timer with fixed phase relationship of PWM1
PWM21	O	Output pin for 8-bit PWM timer with fixed phase relationship of PWM2
FLT	I	PWM Fault Detect input
EUART		
RXD	I	EUART data input
TXD	O	EUART data output
SPI		
MOSI	I/O	SPI master output slave input
MISO	I/O	SPI master input slave output
SCK	I/O	SPI serial clock
\overline{SS}	I	SPI Slave Select
ADC		
AN0 - AN7	I	ADC input channel
AVREF	I	External ADC reference voltage input
Interrupt & Reset & Clock & Power		
INT0 - INT3	I	External interrupt 0-3 input source
INT40 - INT47	I	External interrupt 40-47 input source
\overline{RST}	I	The device will be reset by A low voltage on this pin longer than 10us, an internal resistor about 100kΩ to V_{DD} . So using only an external capacitor to GND can cause a power-on reset.
XTAL1	I	Oscillator input
XTAL2	O	Oscillator output
V_{SS}	P	Ground
V_{DD}	P	Power supply (3.6 - 5.5V)

(to be continued)



(continue)

Pin No.	Type	Description
Buzzer		
BUZCON	O	Buzzer output pin
Programmer		
TDO (P1.2)	O	Debug interface: Test data out
TMS (P1.3)	I	Debug interface: Test mode select
TDI (P1.4)	I	Debug interface: Test data in
TCK (P1.5)	I	Debug interface: Test clock in
Note: <i>When P1.2-1.5 used as debug interface, functions of P1.2-1.5 are blocked.</i>		



6. SFR Mapping

The SH79F1617A provides 256 bytes of internal RAM to contain general-purpose data memory and Special Function Register (SFR). The SFR of the SH79F1617A fall into the following categories:

CPU Core Registers:	ACC, B, PSW, SP, DPL, DPH
Enhanced CPU Core Registers:	AUXC, DPL1, DPH1, INSCON, XPAGE
Power and Clock Control Registers:	PCON, SUSLO
Flash Registers:	IB_OFFSET, IB_DATA, IB_CON1, IB_CON2, IB_CON3, IB_CON4, IB_CON5
Data Memory Register:	XPAGE
Hardware Watchdog Timer Registers:	RSTSTAT
System Clock Control Register:	CLKCON, SCMCON
Interrupt System Registers:	IEN0, IEN1, IENC, IPH0, IPL0, IPH1, IPL1, EXF0, EXF1
I/O Port Registers:	P0, P1, P2, P3, P0CR, P1CR, P2CR, P3CR, P0PCR, P1PCR, P2PCR, P3PCR, P0OS
Timer Registers:	TCON, TMOD, TH0, TH1, TL0, TL1, T2CON, T2MOD, TH2, TL2, RCAP2L, RCAP2H, TCON1
EUART Registers:	SCON, SBUF, SADEN, SADDR, PCON, RXDCON
SPI Registers:	SPCON, SPSTA, SPDAT
ADC Registers:	ADCON, ADT, ADCH, ADDL, ADDH
Buzzer Registers:	BUZCON
PWM Registers:	PWMEN, PWMLO, PWM0C, PWM0PL, PWM0PH, PWM0DL, PWM0DH, PWM1C, PWM1P, PWM1D, PWM2C, PWM2P, PWM2D, PWM0DT, PWM1DT, PWM2DT



SH79F1617A

Table 6.1 CPU Core SFRs

Mnem	Add	Name	POR/WDT/LVR /PIN Reset Value	Bit7	Bit6	Bit5	Bit4	Bit3	Bit2	Bit1	Bit0
ACC	E0H	Accumulator	00000000	ACC.7	ACC.6	ACC.5	ACC.4	ACC.3	ACC.2	ACC.1	ACC.0
B	F0H	B Register	00000000	B.7	B.6	B.5	B.4	B.3	B.2	B.1	B.0
AUXC	F1H	C Register	00000000	C.7	C.6	C.5	C.4	C.3	C.2	C.1	C.0
PSW	D0H	Program Status Word	00000000	CY	AC	F0	RS1	RS0	OV	F1	P
SP	81H	Stack Pointer	00000111	SP.7	SP.6	SP.5	SP.4	SP.3	SP.2	SP.1	SP.0
DPL	82H	Data Pointer Low byte	00000000	DPL0.7	DPL0.6	DPL0.5	DPL0.4	DPL0.3	DPL0.2	DPL0.1	DPL0.0
DPH	83H	Data Pointer High byte	00000000	DPH0.7	DPH0.6	DPH0.5	DPH0.4	DPH0.3	DPH0.2	DPH0.1	DPH0.0
DPL1	84H	Data Pointer 1 Low byte	00000000	DPL1.7	DPL1.6	DPL1.5	DPL1.4	DPL1.3	DPL1.2	DPL1.1	DPL1.0
DPH1	85H	Data Pointer 1 High byte	00000000	DPH1.7	DPH1.6	DPH1.5	DPH1.4	DPH1.3	DPH1.2	DPH1.1	DPH1.0
INSCON	86H	Data pointer select	----00-0	-	-	-	-	DIV	MUL	-	DPS

Table 6.2 Power and Clock control SFRs

Mnem	Add	Name	POR/WDT/LVR /PIN Reset Value	Bit7	Bit6	Bit5	Bit4	Bit3	Bit2	Bit1	Bit0
PCON	87H	Power Control	00--0000	SMOD	SSTAT	-	-	GF1	GF0	PD	IDL
SUSLO	8EH	Suspend Mode Control	00000000	SUSLO.7	SUSLO.6	SUSLO.5	SUSLO.4	SUSLO.3	SUSLO.2	SUSLO.1	SUSLO.0

Table 6.3 Flash control SFRs

Mnem	Add	Name	POR/WDT/LVR /PIN Reset Value	Bit7	Bit6	Bit5	Bit4	Bit3	Bit2	Bit1	Bit0
IB_OFF SET	FBH	Low byte offset of flash memory	00000000	IB_OFF SET.7	IB_OFF SET.6	IB_OFF SET.5	IB_OFF SET.4	IB_OFF SET.3	IB_OFF SET.2	IB_OFF SET.1	IB_OFF SET.0
IB_DATA	FCH	Data Register for programming flash memory	00000000	IB_DATA.7	IB_DATA.6	IB_DATA.5	IB_DATA.4	IB_DATA.3	IB_DATA.2	IB_DATA.1	IB_DATA.0
IB_CON1	F2H	Flash Memory Control Register 1	00000000	IB_CON1.7	IB_CON1.6	IB_CON1.5	IB_CON1.4	IB_CON1.3	IB_CON1.2	IB_CON1.1	IB_CON1.0
IB_CON2	F3H	Flash Memory Control Register 2	----0000	-	-	-	-	IB_CON2.3	IB_CON2.2	IB_CON2.1	IB_CON2.0
IB_CON3	F4H	Flash Memory Control Register 3	----0000	-	-	-	-	IB_CON3.3	IB_CON3.2	IB_CON3.1	IB_CON3.0
IB_CON4	F5H	Flash Memory Control Register 4	----0000	-	-	-	-	IB_CON4.3	IB_CON4.2	IB_CON4.1	IB_CON4.0
IB_CON5	F6H	Flash Memory Control Register 5	----0000	-	-	-	-	IB_CON5.3	IB_CON5.2	IB_CON5.1	IB_CON5.0
XPAGE	F7H	Memory Page	00000000	XPAGE.7	XPAGE.6	XPAGE.5	XPAGE.4	XPAGE.3	XPAGE.2	XPAGE.1	XPAGE.0



SH79F1617A

Table 6.4 WDT SFR

Mnem	Add	Name	POR/WDT/LVR /PIN Reset Value	Bit7	Bit6	Bit5	Bit4	Bit3	Bit2	Bit1	Bit0
RSTSTAT	B1h	Watchdog Timer Control	*-***000	WDOF	-	PORF	LVRF	CLRF	WDT.2	WDT.1	WDT.0

***Note:** RSTSTAT initial value is determined by different RESET.

Table 6.5 CLKCON SFR

Mnem	Add	Name	POR/WDT/LVR /PIN Reset Value	Bit7	Bit6	Bit5	Bit4	Bit3	Bit2	Bit1	Bit0
CLKCON	B2H	System Clock Control Register	-000----	-	CLKS1	CLKS0	SCMIF	-	-	-	-
SCMCON	A1H	SCM Clock Control Register	-----00	-	-	-	-	-	-	SCK1	SCK0

Table 6.6 Interrupt SFRs

Mnem	Add	Name	POR/WDT/LVR /PIN Reset Value	Bit7	Bit6	Bit5	Bit4	Bit3	Bit2	Bit1	Bit0
IEN0	A8H	Interrupt Enable Control 0	00000000	EA	EADC	ET2	ES	ET1	EX1	ET0	EX0
IEN1	A9H	Interrupt Enable Control 1	-00-0000	-	ESCM	EPWM	-	EX4	EX3	EX2	ESPI
IENC	BAH	Interrupt 4channel enable control	00000000	EXS47	EXS46	EXS45	EXS44	EXS43	EXS42	EXS41	EXS40
IPH0	B4H	Interrupt Priority Control High 0	-0000000	-	PADCH	PT2H	PSH	PT1H	PX1H	PT0H	PX0H
IPL0	B8H	Interrupt Priority Control Low 0	-0000000	-	PADCL	PT2L	PSL	PT1L	PX1L	PT0L	PX0L
IPH1	B5H	Interrupt Priority Control High 1	-00-0000	-	PSCMH	PPWMH	-	PX4H	PX3H	PX2H	PSPIH
IPL1	B9H	Interrupt Priority Control Low 1	-00-0000	-	PSCML	PPWML	-	PX4L	PX3L	PX2L	PSPIL
EXF0	E8H	External interrupt Control 0	00000000	IT4.1	IT4.0	IT3.1	IT3.0	IT2.1	IT2.0	IE3	IE2
EXF1	D8h	External interrupt Control 1	00000000	IF47	IF46	IF45	IF44	IF43	IF42	IF41	IF40



SH79F1617A

Table 6.7 Port SFRs

Mnem	Add	Name	POR/WDT/LVR /PIN Reset Value	Bit7	Bit6	Bit5	Bit4	Bit3	Bit2	Bit1	Bit0
P0	80H	8-bit Port 0	00000000	P0.7	P0.6	P0.5	P0.4	P0.3	P0.2	P0.1	P0.0
P1	90H	8-bit Port 1	00000000	P1.7	P1.6	P1.5	P1.4	P1.3	P1.2	P1.1	P1.0
P2	A0H	8-bit Port 2	00000000	P2.7	P2.6	P2.5	P2.4	P2.3	P2.2	P2.1	P2.0
P3	B0H	6-bit Port 3	--000000	-	-	P3.5	P3.4	P3.3	P3.2	P3.1	P3.0
P0CR	E1H	Port0 input/output direction control	00000000	P0CR.7	P0CR.6	P0CR.5	P0CR.4	P0CR.3	P0CR.2	P0CR.1	P0CR.0
P1CR	E2H	Port1 input/output direction control	00000000	P1CR.7	P1CR.6	P1CR.5	P1CR.4	P1CR.3	P1CR.2	P1CR.1	P1CR.0
P2CR	E3H	Port2 input/output direction control	00000000	P2CR.7	P2CR.6	P2CR.5	P2CR.4	P2CR.3	P2CR.2	P2CR.1	P2CR.0
P3CR	E4H	Port3 input/output direction control	--000000	-	-	P3CR.5	P3CR.4	P3CR.3	P3CR.2	P3CR.1	P3CR.0
P0PCR	E9H	Internal pull-high enable for Port0	00000000	P0PCR.7	P0PCR.6	P0PCR.5	P0PCR.4	P0PCR.3	P0PCR.2	P0PCR.1	P0PCR.0
P1PCR	EAH	Internal pull-high enable for Port1	00000000	P1PCR.7	P1PCR.6	P1PCR.5	P1PCR.4	P1PCR.3	P1PCR.2	P1PCR.1	P1PCR.0
P2PCR	EBH	Internal pull-high enable for Port2	00000000	P2PCR.7	P2PCR.6	P2PCR.5	P2PCR.4	P2PCR.3	P2PCR.2	P2PCR.1	P2PCR.0
P3PCR	ECH	Internal pull-high enable for Port3	--000000	-	-	P3PCR.5	P3PCR.4	P3PCR.3	P3PCR.2	P3PCR.1	P3PCR.0
P0OS	EFH	Output mode control	--0000--	-	-	P05OS	P04OS	P03OS	P02OS	-	-

Table 6.8 Timer SFRs

Mnem	Add	Name	POR/WDT/LVR /PIN Reset Value	Bit7	Bit6	Bit5	Bit4	Bit3	Bit2	Bit1	Bit0
TCON	88H	Timer/Counter0/1 Control	00000000	TF1	TR1	TF0	TR0	IE1	IT1	IE0	IT0
TMOD	89H	Timer/Counter 0/1 Mode	00000000	GATE1	C/T1	M11	M10	GATE0	C/T0	M01	M00
TL0	8AH	Timer/Counter 0 Low Byte	00000000	TL0.7	TL0.6	TL0.5	TL0.4	TL0.3	TL0.2	TL0.1	TL0.0
TH0	8CH	Timer/Counter 0 High Byte	00000000	TH0.7	TH0.6	TH0.5	TH0.4	TH0.3	TH0.2	TH0.1	TH0.0
TL1	8BH	Timer/Counter 1 Low Byte	00000000	TL1.7	TL1.6	TL1.5	TL1.4	TL1.3	TL1.2	TL1.1	TL1.0
TH1	8DH	Timer/Counter 1 High Byte	00000000	TH1.7	TH1.6	TH1.5	TH1.4	TH1.3	TH1.2	TH1.1	TH1.0
T2CON	C8H	Timer/Counter 2 Control	00000000	TF2	EXF2	RCLK	TCLK	EXEN2	TR2	C/T2	CP/RL2
T2MOD	C9H	Timer/Counter 2 Control	0----00	TCLKP2	-	-	-	-	-	T2OE	DCEN
RCAP2L	CAH	Timer/Counter 2 Reload /Capture Low Byte	00000000	RCAP2L.7	RCAP2L.6	RCAP2L.5	RCAP2L.4	RCAP2L.3	RCAP2L.2	RCAP2L.1	RCAP2L.0
RCAP2H	CBH	Timer/Counter 2 Reload /Capture High Byte	00000000	RCAP2H.7	RCAP2H.6	RCAP2H.5	RCAP2H.4	RCAP2H.3	RCAP2H.2	RCAP2H.1	RCAP2H.0
TL2	CCH	Timer/Counter 4 Control	00000000	TL2.7	TL2.6	TL2.5	TL2.4	TL2.3	TL2.2	TL2.1	TL2.0
TH2	CDH	Timer/Counter 4 Low Byte	00000000	TH2.7	TH2.6	TH2.5	TH2.4	TH2.3	TH2.2	TH2.1	TH2.0
TCON1	CEH	Timer/Counter 4 High Byte	----0000	-	-	-	-	TCLKP1	TCLKP0	TC1	TC0



SH79F1617A

Table 6.9 EUART SFRs

Mnem	Add	Name	POR/WDT/LVR /PIN Reset Value	Bit7	Bit6	Bit5	Bit4	Bit3	Bit2	Bit1	Bit0
SCON	98H	Serial Control	00000000	SM0/FE	SM1/RXOV	SM2/TXCOL	REN	TB8	RB8	TI	RI
SBUF	99H	Serial Data Buffer	00000000	SBUF.7	SBUF.6	SBUF.5	SBUF.4	SBUF.3	SBUF.2	SBUF.1	SBUF.0
SADEN	9BH	Slave Address Mask	00000000	SADEN.7	SADEN.6	SADEN.5	SADEN.4	SADEN.3	SADEN.2	SADEN.1	SADEN.0
SADDR	9AH	Slave Address	00000000	SADDR.7	SADDR.6	SADDR.5	SADDR.4	SADDR.3	SADDR.2	SADDR.1	SADDR.0
PCON	87H	Power & serial Control	00--0000	SMOD	SSTAT	-	-	GF1	GF0	PD	IDL
RXDCON	9FH	RXD Schmidt Level Control	0----0	REFC	-	-	-	-	-	-	RXDCON0

Table 6.10 SPI SFRs

Mnem	Add	Name	POR/WDT/LVR /PIN Reset Value	Bit7	Bit6	Bit5	Bit4	Bit3	Bit2	Bit1	Bit0
SPCON	A2H	SPI control register	00000000	DIR	MSTR	CPHA	CPOL	SSDIS	SPR2	SPR1	SPR0
SPSTA	F8H	SPI status register	00000---	SPEN	SPIF	MODF	WCOL	RXOV	-	-	-
SPDAT	A3H	SPI data register	00000000	SPD.7	SPD.6	SPD.5	SPD.4	SPD.3	SPD.2	SPD.1	SPD.0

Table 6.11 ADC SFRs

Mnem	Add	Name	POR/WDT/LVR /PIN Reset Value	Bit7	Bit6	Bit5	Bit4	Bit3	Bit2	Bit1	Bit0
ADCON	93H	ADC Control	000-0000	ADON	ADCIF	EC	-	SCH2	SCH1	SCH0	<u>GO/</u> <u>DONE</u>
ADT	94H	ADC Time Configuration	000-0000	TADC2	TADC1	TADC0	-	TS3	TS2	TS1	TS0
ADCH	95H	ADC Channel Configuration	00000000	CH7	CH6	CH5	CH4	CH3	CH2	CH1	CH0
ADDL	96H	ADC Data Low Byte	-----00	-	-	-	-	-	-	A1	A0
ADDH	97H	ADC Data High Byte	00000000	A9	A8	A7	A6	A5	A4	A3	A2

Table 6.12 Buzzer SFR

Mnem	Add	Name	POR/WDT/LVR /PIN Reset Value	Bit7	Bit6	Bit5	Bit4	Bit3	Bit2	Bit1	Bit0
BUZCON	BDH	Buzzer output control	---00000	-	-	-	BCA3	BCA2	BCA1	BCA0	BZEN



SH79F1617A

Table 6.13 PWM SFRs

Mnem	Add	Name	POR/WDT/LVR /PIN Reset Value	Bit7	Bit6	Bit5	Bit4	Bit3	Bit2	Bit1	Bit0
PWMEN	CFH	PWM timer enable	-0000000	-	EFLT	EPWM21	EPWM11	EPWM01	EPWM2	EPWM1	EPWM0
PWMLO	E7H	PWM register Lock	00000000	PWMLO.7	PWMLO.6	PWMLO.5	PWMLO.4	PWMLO.3	PWMLO.2	PWMLO.1	PWMLO.0
PWM0C	D2H	12-bit PWM Control	00-00000	PWM0IE	PWM0IF	-	FLTS	FLTC	PWM0S	TnCK01	TnCK00
PWM0PL	D3H	12-bit PWM Period Control low byte	00000000	PP0.7	PP0.6	PP0.5	PP.4	PP0.3	PP0.2	PP0.1	PP0.0
PWM0PH	D4H	12-bit PWM Period Control high byte	----0000	-	-	-	-	PP0.11	PP0.10	PP0.9	PP0.8
PWM0DL	D5H	12-bit PWM Duty Control low byte	00000000	PD0.7	PD0.6	PD0.5	PD0.4	PD0.3	PD0.2	PD0.1	PD0.0
PWM0DH	D6H	12-bit PWM Duty Control high byte	----0000	-	-	-	-	PD0.11	PD0.10	PD0.9	PD0.8
PWM1C	D9H	8-bit PWM1 Control	00---000	PWM1IE	PWM1IF	-	-	-	PWM1S	TnCK11	TnCK10
PWM1P	DAH	8-bit PWM1 Period Control	00000000	PP1.7	PP1.6	PP1.5	PP1.4	PP1.3	PP1.2	PP1.1	PP1.0
PWM1D	DBH	8-bit PWM1 Duty Control	00000000	PD1.7	PD1.6	PD1.5	PD1.4	PD1.3	PD1.2	PD1.1	PD1.0
PWM2C	DDH	8-bit PWM2 Control	00---000	PWM2IE	PWM2IF	-	-	-	PWM2S	TnCK21	TnCK20
PWM2P	DEH	8-bit PWM2 Period Control	00000000	PP2.7	PP2.6	PP2.5	PP2.4	PP2.3	PP2.2	PP2.1	PP2.0
PWM2D	DFH	8-bit PWM2 Duty Control	00000000	PD2.7	PD2.6	PD2.5	PD2.4	PD2.3	PD2.2	PD2.1	PD2.0
PWM0DT	D1H	PWM01 Dead time control	00000000	DT0.7	DT0.6	DT0.5	DT0.4	DT0.3	DT0.2	DT0.1	DT0.0
PWM1DT	D7H	PWM11 Dead time control	00000000	DT1.7	DT1.6	DT1.5	DT1.4	DT1.3	DT1.2	DT1.1	DT1.0
PWM2DT	DCH	PWM21 Dead time control	00000000	DT2.7	DT2.6	DT2.5	DT2.4	DT2.3	DT2.2	DT2.1	DT2.0

Note: - :Unimplemented



SFR Map

	Bit addressable	Non Bit addressable								
		0/8	1/9	2/A	3/B	4/C	5/D	6/E		7/F
F8H	SPSTA				IB_OFFSET	IB_DATA				FFH
F0H	B	AUXC	IB_CON1	IB_CON2	IB_CON3	IB_CON4	IB_CON5	XPAGE		F7H
E8H	EXF0	P0PCR	P1PCR	P2PCR	P3PCR			P0OS		EFH
E0H	ACC	P0CR	P1CR	P2CR	P3CR			PWMLO		E7H
D8H	EXF1	PWM1C	PWM1P	PWM1D	PWM2DT	PWM2C	PWM2P	PWM2D		DFH
D0H	PSW	PWM0DT	PWM0C	PWM0PL	PWM0PH	PWM0DL	PWM0DH	PWM1DT		D7H
C8H	T2CON	T2MOD	RCAP2L	RCAP2H	TL2	TH2	TCON1	PWMEN		CFH
C0H										C7H
B8H	IPL0	IPL1	IENC			BUZCON				BFH
B0H	P3	RSTSTAT	CLKCON		IPH0	IPH1				B7H
A8H	IEN0	IEN1								AFH
A0H	P2	SCMCON	SPCON	SPDAT						A7H
98H	SCON	SBUF	SADDR	SADEN				RXDCON		9FH
90H	P1			ADCON	ADT	ADCH	ADDL	ADDH		97H
88H	TCON	TMOD	TL0	TL1	TH0	TH1	SUSLO			8FH
80H	P0	SP	DPL	DPH	DPL1	DPH1	INSCON	PCON		87H
	0/8	1/9	2/A	3/B	4/C	5/D	6/E	7/F		

Note: The unused addresses of SFR are not available.



7. Normal Function

7.1 CPU

7.1.1 CPU Core SFR

Feature

- CPU core registers: ACC, B, PSW, SP, DPL, DPH

Accumulator

ACC is the Accumulator register. The mnemonics for accumulator-specific instructions, however, refer to the Accumulator simply as A.

B Register

The B register is used during multiply and divide operations. For other instructions it can be treated as another scratch pad register.

Stack Pointer (SP)

The Stack Pointer Register is 8 bits wide. It is incremented before data is stored during PUSH, CALL executions and it is decremented after data is out of stack during POP, RET, RETI executions. The stack may reside anywhere in on-chip internal RAM (00H-FFH). On reset, the Stack Pointer is initialized to 07H causing the stack to begin at location 08H.

Program Status Word Register (PSW)

The PSW register contains program status information.

Table 7.1 PSW Register

D0H	第7位	第6位	第5位	第4位	第3位	第2位	第1位	第0位
PSW	CY	AC	F0	RS1	RS0	OV	F1	P
R/W	R/W	R/W	R/W	R/W	R/W	R/W	R/W	R
Reset Value (POR/WDT/LVR/PIN)	0	0	0	0	0	0	0	0

Bit Number	Bit Mnemonic	Description
7	CY	Carry flag bit 0: no carry or borrow in an arithmetic or logic operation 1: a carry or borrow in an arithmetic or logic operation
6	AC	Auxiliary Carry flag bit 0: an auxiliary carry or borrow in an arithmetic or logic operation 1: an auxiliary carry or borrow in an arithmetic or logic operation
5	F0	F0 flag bit Available to the user for general purposes
4-3	RS[1:0]	R0-R7 Register bank select bits 00: Bank0 (Address to 00H-07H) 01: Bank1 (Address to 08H-0FH) 10: Bank2 (Address to 10H-17H) 11: Bank3 (Address to 18H-1FH)
2	OV	Overflow flag bit 0: no overflow happen 1: an overflow happen
1	F1	F1 flag bit Available to the user for general purposes
0	P	Parity flag bit 0: an even number of "one" bits in the Accumulator 1: an odd number of "one" bits in the Accumulator

Data Pointer Register (DPTR)

DPTR consists of a high byte (DPH) and a low byte (DPL). Its intended function is to hold a 16-bit address, but it may be manipulated as a 16-bit register or as two independent 8-bit registers.



7.1.2 Enhanced CPU core SFRs

- Extended 'MUL' and 'DIV' instructions: 16bit*8bit, 16bit/8bit
- Dual Data Pointer
- Enhanced CPU core registers: AUXC, DPL1, DPH1, INSCON

The SH79F1617A has modified 'MUL' and 'DIV' instructions. These instructions support 16 bit operand. A new register - the register is applied to hold the upper part of the operand/result.

The AUXC register is used during 16 bit operand multiply and divide operations. For other instructions it can be treated as another scratch pad register.

After reset, the CPU is in standard mode, which means that the 'MUL' and 'DIV' instructions are operating like the standard 8051 instructions. To enable the 16 bit mode operation, the corresponding enable bit in the INSCON register must be set.

	Operation		Result		
			A	B	AUXC
MUL	INSCON.2 = 0; 8 bit mode	(A)*(B)	Low Byte	High Byte	---
	INSCON.2 = 1; 16 bit mode	(AUXC A)*(B)	Low Byte	Middle Byte	High Byte
DIV	INSCON.3 = 0; 8 bit mode	(A)/(B)	Quotient Low Byte	Remainder	---
	INSCON.3 = 1; 16 bit mode	(AUXC A)/(B)	Quotient Low Byte	Remainder	Quotient High Byte

Dual Data Pointer

Using two data pointers can accelerate data memory moves. The standard data pointer is called DPTR and the new data pointer is called DPTR1.

DPTR1 is the same with DPTR, which consists of a high byte (DPH1) and a low byte (DPL1). Its intended function is to hold a 16-bit address, but it may be manipulated as a 16-bit register or as two independent 8-bit registers.

The DPS bit in INSTCON register is used to choose the active pointer. The user can switch data pointers by toggling the DPS bit. And all DPTR-related instructions will use the currently selected data pointer.

Register

Table 7.2 Data Pointer Select Register

86H	Bit7	Bit6	Bit5	Bit4	Bit3	Bit2	Bit1	Bit0
INSCON	-	-	-	-	DIV	MUL	-	DPS
R/W	-	-	-	-	R/W	R/W	-	R/W
Reset Value (POR/WDT/LVR/PIN)	-	-	-	-	0	0	-	0

Bit Number	Bit Mnemonic	Description
3	DIV	16 bit/8 bit Divide Selection Bit 0: 8 bit Divide 1: 16 bit Divide
2	MUL	16 bit/8 bit Multiply Selection Bit 0: 8 bit Multiply 1: 16 bit Multiply
0	DPS	Data Pointer Selection Bit 0: Data pointer 1: Data pointer1



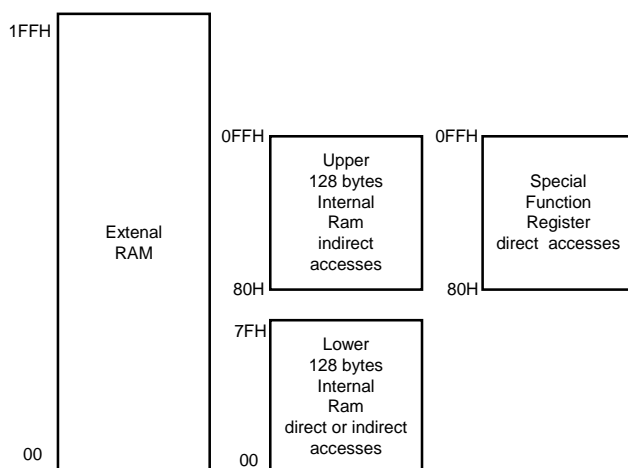
7.2 RAM

SH79F1617A provides both internal RAM and external RAM for random data storage. The internal data memory is mapped into four separated segments:

- The Lower 128 bytes of RAM (addresses 00H to 7FH) are directly and indirectly addressable.
- The Upper 128 bytes of RAM (addresses 80H to FFH) are indirectly addressable only.
- The Special Function Registers (SFR, addresses 80H to FFH) are directly addressable only.
- The external RAM is indirectly accessed by MOVX instructions.

The Upper 128 bytes occupy the same address space as SFR, but they are physically separate from SFR space. When an instruction accesses an internal location above address 7FH, the CPU can distinguish whether to access the upper 128 bytes data RAM or to access SFR by different addressing mode of the instruction.

Note: the unused address is unavailable in SFR.



The Internal and External RAM Configuration

The SH79F1617A provides traditional method for accessing of external RAM. Use “MOVXA, @Ri” or “MOVX @Ri, A” to access external low 256 bytes RAM; “MOVX A, @DPTR” or “MOVX @DPTR, A” also to access external 512 bytes RAM.

In SH79F1617A the user can also use XPAGE register to access external RAM only with “MOVX A, @Ri” or “MOVX @Ri, A” instructions. The user can use XPAGE to represent the high byte address of RAM above 256 Bytes.

In Flash SSP mode, the XPAGE can also be used as sector selector (Refer to SSP Function).

Table 7.3 Data Memory Page Register

F7H	Bit7	Bit6	Bit5	Bit4	Bit3	Bit2	Bit1	Bit0
XPAGE	XPAGE.7	XPAGE.6	XPAGE.5	XPAGE.4	XPAGE.3	XPAGE.2	XPAGE.1	XPAGE.0
R/W	R/W	R/W	R/W	R/W	R/W	R/W	R/W	R/W
Reset Value (POR/WDT/LVR/PIN)	0	0	0	0	0	0	0	0

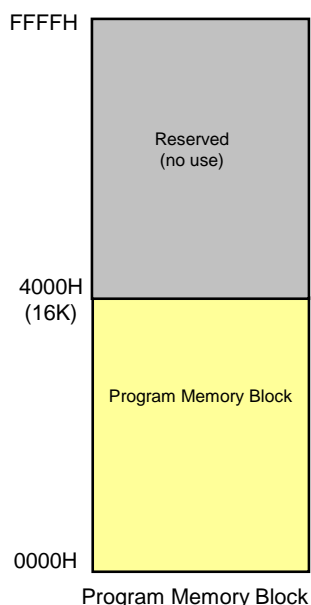
Bit Number	Bit Mnemonic	Description
7-0	XPAGE[7:0]	RAM Page Selector



7.3 Flash Program Memory

7.3.1 Features

- The program memory consists 16 X 1KB sectors, total 16KB
- Programming and erase can be done over the full operation voltage range
- Write, read and erase operation are all supported by In-Circuit Programming (ICP)
- Fast mass/sector erase and programming
- Minimum program/erase cycles: 100,000
- Minimum years data retention: 10
- Low power consumption



The SH79F1617A embeds 16K flash program memory for program code. The flash program memory provides electrical erasure and programming and supports In-Circuit Programming (ICP) mode and Self-Sector Programming (SSP) mode.

Flash operation defined:

In-Circuit Programming (ICP): Through the Flash programmer to wipe the Flash memory, read and write operations.

Self-Sector Programming (SSP) mode: User Program code runs in Program Memory to wipe the Flash memory, read and write operations.

The ICP mode supports the following operations:

(1) Code-Protect Control mode Programming

SH79F1617A code protection function provides a high-performance security measures for the user. Each partition has two modes are available.

Code protection mode 0: allow/forbid any programmer write/read operations (not including overall erasure).

Code protection mode 1: allow/forbid through MOVC instructions to read operation in other sectors, or through SSP mode to erased/write operation.

The user must use the following two ways to complete code protection control mode Settings:

1. Flash programmer in ICP mode is set to corresponding protection bit to enter the protected mode.
2. The SSP mode does not support code protection control mode programming.

(2) Mass Erase

Regardless of the state of the code protection control mode, the overall erasure operation will erase all programs, code options, the code protection bit.

The user must use the following way to complete the overall erasure:

Flash programmer in ICP mode sends overall erasure instruction to run overall erasure.

The SSP mode does not support overall erasure mode.

**(3) Sector Erase**

Sector erasure operations will erase the content of selected sector. The user program (SSP) and Flash programmer can perform this operation.

For user programs to perform the operation, code protection mode 1 in the selected sector must be forbidden.

For Flash programmer to perform the operation, code protection mode 0 in the selected sector must be forbidden.

The user must use one of the following two ways to complete sector erasure:

1. Flash programmer in ICP mode send sector erasure instruction to run sector erasure.
2. Through the SSP function sends sector erasure instruction to run sector erasure (see chapter SSP).

(4) Write/Read Code

Write/read code operation can read or write code from flash memory block. The user program (SSP) and Flash programmer can perform this operation.

For user programs to perform the operation, code protection mode 1 in the selected sector must be forbidden. Regardless of the security bit Settings or not, the user program can read/write the sector which contains program itself.

For Flash programmer to perform the operation, code protection mode 0 in the selected sector must be forbidden.

The user must use one of the following two ways to complete write/read code:

1. Flash programmer in ICP mode send write/read code instruction to run write/read code.
2. Through the SSP function send write/read code instruction to run write/read code.

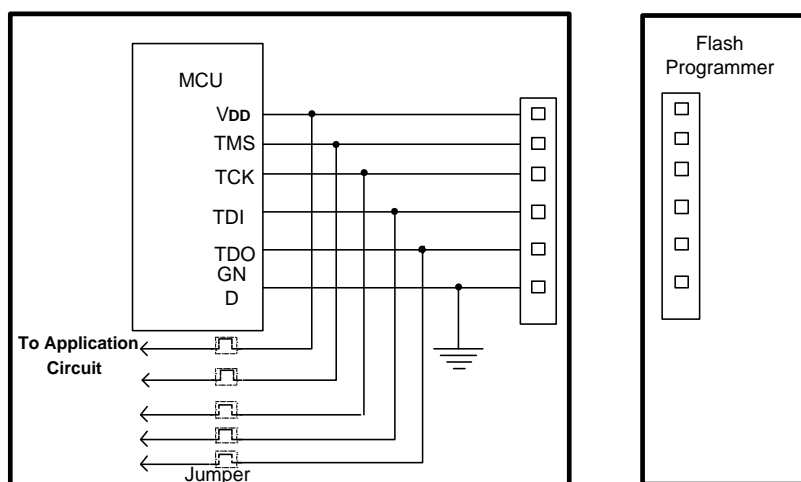
Operation	SSP	ICP
Code Protection	non support	support
Sector Erase	support (without security bit)	support (without security bit)
Mass Erase	non support	support
Write/Read	support (without security bit or its own sector)	support (without security bit)

7.3.2 Flash Operation in ICP Mode

ICP mode is performed without removing the micro-controller from the system. In ICP mode, the user system must be power-off, and the programmer can refresh the program memory through ICP programming interface. The ICP programming interface consists of 6 wires (V_{DD} , GND, TCK, TDI, TMS, and TDO).

At first the four JTAG pins (TDO, TDI, TCK, and TMS) are used to enter the programming mode. Only after the three pins are inputted the specified waveform, the CPU will enter the programming mode. For more detail description please refers to the FLASH Programmer's user guide.

In ICP mode, all the flash operations are completed by the programmer through 6-wire interface. Since the program timing is very sensitive, five jumpers are needed (V_{DD} , TDO, TDI, TCK, TMS) to separate the program pins from the application circuit as the following diagram.



The recommended steps are as following:

- (1) The jumpers must be open to separate the programming pins from the application circuit before programming.
- (2) Connect the programming interface with programmer and begin programming.
- (3) Disconnect programmer and short these jumpers after programming is complete.



7.4 SSP Function

The SH79F1617A provides SSP (Self Sector Programming) function, each sector can be sector erased (except the last sector, sector 15) or programmed by the user's code if the selected sector is not be protected. But once sector has been programmed, it cannot be reprogrammed before sector erase.

The SH79F1617A builds in a complex control flow to prevent the code from carelessly modification. If the dedicated conditions are not met (IB_CON2-5), the SSP will be terminated.

7.4.1 SSP Register

Table 7.4 Offset Register for Programming

F7H	Bit7	Bit6	Bit5	Bit4	Bit3	Bit2	Bit1	Bit0
XPAGE	XPAGE.7	XPAGE.6	XPAGE.5	XPAGE.4	XPAGE.3	XPAGE.2	XPAGE.1	XPAGE.0
R/W	R/W	R/W	R/W	R/W	R/W	R/W	R/W	R/W
Reset Value (POR/WDT/LVR/PIN)	0	0	0	0	0	0	0	0

Flash memory, one sector is 1024 bytes

Bit Number	Bit Mnemonic	Description
7-2	XPAGE[7:2]	Sector of the flash memory to be programmed, 000000---means sector 0, and so on
1-0	XPAGE[1:0]	High Address of Offset of the flash memory sector to be programmed

Table 7.5 Offset of Flash Memory for Programming

FBH	Bit7	Bit6	Bit5	Bit4	Bit3	Bit2	Bit1	Bit0
IB_OFFSET	IB_OFF SET.7	IB_OFF SET.6	IB_OFF SET.5	IB_OFF SET.4	IB_OFF SET.3	IB_OFF SET.2	IB_OFF SET.1	IB_OFF SET.0
R/W	R/W	R/W	R/W	R/W	R/W	R/W	R/W	R/W
Reset Value (POR/WDT/LVR/PIN)	0	0	0	0	0	0	0	0

Bit Number	Bit Mnemonic	Description
7-0	IB_OFFSET[7:0]	Low Address of Offset of the flash memory sector to be programmed

Table 7.6 Data Register for Programming

FCH	Bit7	Bit6	Bit5	Bit4	Bit3	Bit2	Bit1	Bit0
IB_DATA	IB_DATA.7	IB_DATA.6	IB_DATA.5	IB_DATA.4	IB_DATA.3	IB_DATA.2	IB_DATA.1	IB_DATA.0
R/W	R/W	R/W	R/W	R/W	R/W	R/W	R/W	R/W
Reset Value (POR/WDT/LVR/PIN)	0	0	0	0	0	0	0	0

Bit Number	Bit Mnemonic	Description
7-0	IB_DATA[7:0]	Data to be programmed

Table 7.7 SSP Type select Register

F2H	Bit7	Bit6	Bit5	Bit4	Bit3	Bit2	Bit1	Bit0
IB_CON1	IB_CON1.7	IB_CON1.6	IB_CON1.5	IB_CON1.4	IB_CON1.3	IB_CON1.2	IB_CON1.1	IB_CON1.0
R/W	R/W	R/W	R/W	R/W	R/W	R/W	R/W	R/W
Reset Value (POR/WDT/LVR/PIN)	0	0	0	0	0	0	0	0

Bit Number	Bit Mnemonic	Description
7-0	IB_CON1[7:0]	SSP Type select 0xE6: Sector Erase 0x6E: Sector Programming



Table 7.8 SSP Flow Control Register1

F3H	Bit7	Bit6	Bit5	Bit4	Bit3	Bit2	Bit1	Bit0
IB_CON2	-	-	-	-	IB_CON2.3	IB_CON2.2	IB_CON2.1	IB_CON2.0
R/W	-	-	-	-	R/W	R/W	R/W	R/W
Reset Value (POR/WDT/LVR/PIN)	-	-	-	-	0	0	0	0

Bit Number	Bit Mnemonic	Description
3-0	IB_CON2[3:0]	Must be 05H, else Flash Programming will terminate

Table 7.9 SSP Flow Control Register2

F4H	Bit7	Bit6	Bit5	Bit4	Bit3	Bit2	Bit1	Bit0
IB_CON3	-	-	-	-	IB_CON3.3	IB_CON3.2	IB_CON3.1	IB_CON3.0
R/W	-	-	-	-	R/W	R/W	R/W	R/W
Reset Value (POR/WDT/LVR/PIN)	-	-	-	-	0	0	0	0

Bit Number	Bit Mnemonic	Description
3-0	IB_CON3[3:0]	Must be 0AH else Flash Programming will terminate

Table 7.10 SSP Flow Control Register3

F5H	Bit7	Bit6	Bit5	Bit4	Bit3	Bit2	Bit1	Bit0
IB_CON4	-	-	-	-	IB_CON4.3	IB_CON4.2	IB_CON4.1	IB_CON4.0
R/W	-	-	-	-	R/W	R/W	R/W	R/W
Reset Value (POR/WDT/LVR/PIN)	-	-	-	-	0	0	0	0

Bit Number	Bit Mnemonic	Description
3-0	IB_CON4[3:0]	Must be 09H, else Flash Programming will terminate

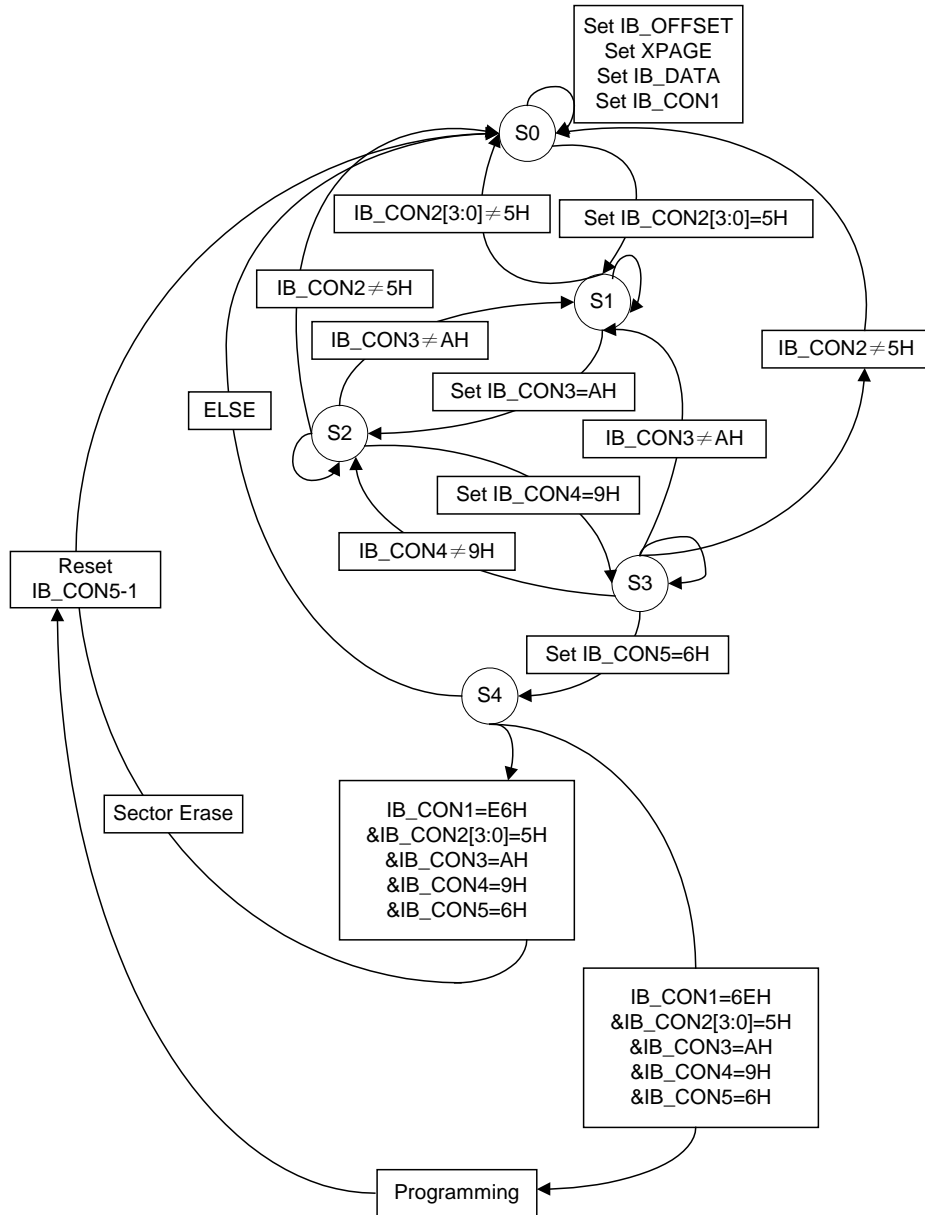
Table 7.11 SSP Flow Control Register4

F6H	Bit7	Bit6	Bit5	Bit4	Bit3	Bit2	Bit1	Bit0
IB_CON5	-	-	-	-	IB_CON5.3	IB_CON5.2	IB_CON5.1	IB_CON5.0
R/W	-	-	-	-	R/W	R/W	R/W	R/W
Reset Value (POR/WDT/LVR/PIN)	-	-	-	-	0	0	0	0

Bit Number	Bit Mnemonic	Description
3-0	IB_CON5[3:0]	Must be 06H, else Flash Programming will terminate



7.4.2 Flash Control Flow





7.4.3 SSP Programming Notice

To successfully complete SSP programming, the user's software must following the steps below:

(1) For Code/Data Programming:

1. Disable interrupt;
2. Fill in the XPAGE, IB_OFFSET for the corresponding address;
3. Fill in IB_DATA if programming is wanted;
4. Fill in IB_CON1-5 sequentially;
5. Add 4 nops for more stable operation;
6. Code/Data programming, CPU will be in IDLE mode;
7. Go to Step 3 if more data are to be programmed;
8. Clear XPAGE and register (A7H); enable interrupt if necessary.

(2) For Sector Erase:

1. Disable interrupt;
2. Fill in the XPAGE for the corresponding sector;
3. Fill in IB_CON1-5 sequentially;
4. Add 4 NOPs for more stable operation;
5. Sector Erase, CPU will be in IDLE mode;
6. Go to step 3 if more sectors are to be erased;
7. Clear XPAGE and register(A7H); enable interrupt if necessary.

(3) For Code Reading:

Just Use "MOVC A, @A+DPTR" or "MOVC A, @A+PC".

Note: Before SSP Programming, remember to clear register (A7H).



7.5 System Clock and Oscillator

7.5.1 Feature

- 3 oscillator types: crystal oscillator, ceramic oscillator and internal RC
- Built-in 12.3MHz/16MHz Internal RC
- Built-in system clock prescale

7.5.2 Clock Definition

The SH79F1617A have several internal clocks defined as below:

OSCCLK: the oscillator clock from one of the four oscillator types (crystal oscillator, ceramic oscillator and internal 12.3M/16M RC) f_{OSC} is defined as the OSCCLK frequency. t_{OSC} is defined as the OSCCLK period.

WDTCLK: the internal WDT RC clock. f_{WDT} is defined as the WDTCLK frequency. t_{WDT} is defined as the WDTCLK period.

SYSCLK: system clock, the output of system clock prescale. It is the CPU instruction clock. f_{SYS} is defined as the SYSCLK frequency. t_{SYS} is defined as the SYSCLK period.

SH79F1617A has three oscillator types: crystal oscillator (400kHz-16MHz), ceramic Oscillator (2MHz-16MHz) and internal RC (12.3MHz/16MHz), which is selected by code option OP_OSC (Refer to code option section for details). The oscillator generates the basic clock pulse that provides the system clock to supply CPU and on-chip peripherals.

Table 7.12 System Clock Control Register

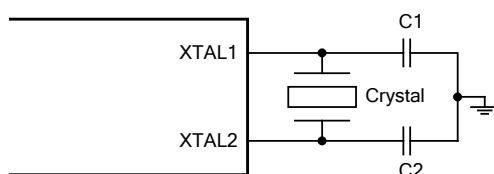
B2H	Bit7	Bit6	Bit5	Bit4	Bit3	Bit2	Bit1	Bit0
CLKCON	-	CLKS1	CLKS0	-	-	-	-	-
R/W	-	R/W	R/W	-	-	-	-	-
Reset Value (POR/WDT/LVR/PIN)	-	0	0	-	-	-	-	-

Bit Number	Bit Mnemonic	Description
6-5	CLKS[1:0]	SYSCLK Prescale Register 00: $f_{SYS} = f_{OSC}$ 01: $f_{SYS} = f_{OSC}/2$ 10: $f_{SYS} = f_{OSC}/4$ 11: $f_{SYS} = f_{OSC}/12$

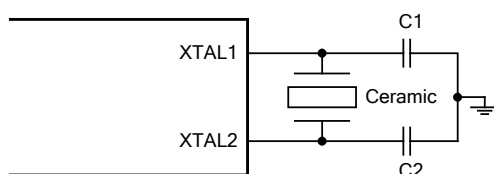


7.5.3 Oscillator Type

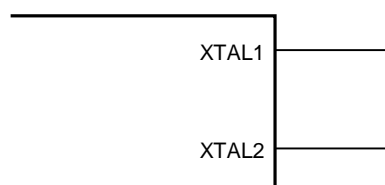
(1) Crystal Oscillator: 400kHz - 16MHz



(2) Ceramic resonator: 400kHz - 16MHz



(3) Internal RC: 12.3MHz/16MHz



7.5.4 Capacitor Selection for Oscillator

Ceramic Resonators		
Frequency	C1	C2
4MHz	15pF	15pF
8MHz	-	-
16MHz	-	-

Crystal Oscillator		
Frequency	C1	C2
4MHz	8-15pF	8-15pF
8MHz	8-15pF	8-15pF
16MHz	8-15pF	8-15pF

Notes:

(1) **Capacitor values are used for design guidance only!**

(2) These capacitors were tested with the crystals listed above for basic start-up and operation. They are **not optimized**.

(3) Be careful for the stray capacitance on PCB board, the user should test the performance of the oscillator over the expected V_{DD} and the temperature range for the application.

Before selecting crystal/ceramic, the user should consult the crystal/ceramic manufacturer for appropriate value of external component to get best performance, visit <http://www.sinowealth.com> for more recommended manufactures.



7.6 System Clock Monitor (SCM)

In order to enhance the system reliability, SH79F1617A contains a system clock monitor (SCM) module. If the system clock breaks down (for example the external oscillator stops oscillating), the built-in SCM will switch the OSCCLK to the internal RC clock, and set system clock monitor bit (SCMIF) to 1. And the SCM interrupt will be generated when EA and ESCM is enabled. If the external oscillator comes back, SCM will switch the OSCCLK back to the external oscillator and clears the SCMIF automatically.

Select SCM clock by set up SCMCON, if the built-in SCM detect the system clock breaks down, that will switch the OSCCLK to the internal SCM clock.

The SCM function is valid when using external clock only.

Notes:

The SCMIF is read only register; it can be clear to 0 or set to 1 by hardware only.

If SCMIF is cleared, the SCM switches the system clock to the state before system clock breaks down automatically.

*If Internal RC is selected as OSCCLK by code option (Refer to **code option** section for detail), the SCM can not work.*

Table 7.13 System Clock Control Register

B2H	Bit7	Bit6	Bit5	Bit4	Bit3	Bit2	Bit1	Bit0
CLKCON	-	-	-	SCMIF	-	-	-	-
R/W	-	-	-	R	-	-	-	-
Reset Value (POR/WDT/LVR/PIN)	-	-	-	0	-	-	-	-

Bit Number	Bit Mnemonic	Description
4	SCMIF	System Clock Monitor flag bit 0: Clear by hardware to indicate system clock is normal 1: Set by hardware to indicate system clock fails

Table 7.14 SCM Clock Control Register

A1H	Bit7	Bit6	Bit5	Bit4	Bit3	Bit2	Bit1	Bit0
SCMCON	-	-	-	-	-	-	SCK1	SCK0
R/W	-	-	-	-	-	-	R/W	R/W
Reset Value (POR/WDT/LVR/PIN)	-	-	-	-	-	-	0	0

Bit Number	Bit Mnemonic	Description
1-0	SCK[1:0]	SCM Clock select bits 00: 8MHz (Default) 01: 4MHz 10: 12.3MHz 11: 16MHz



7.7 I/O Port

7.7.1 Feature

- 30 bi-directional I/O ports
- Share with alternative functions

The SH79F1617A has 30 bi-directional I/O ports. The PORT data is put in Px register. The PORT control register (PxCRy) controls the PORT as input or output. Each I/O port has an internal pull-high resistor, which is controlled by PxPCRY when the PORT is used as input (x = 0-3, y = 0-7).

For SH79F1617A, some I/O pins can share with alternative functions. There exists a priority rule in CPU to avoid these functions be conflict when all the functions are enabled. (Refer to **Port Share** Section for details).

7.7.2 Register

Table 7.15 Port Control Register

E1H - E4H	Bit7	Bit6	Bit5	Bit4	Bit3	Bit2	Bit1	Bit0
P0CR (E1H)	P0CR.7	P0CR.6	P0CR.5	P0CR.4	P0CR.3	P0CR.2	P0CR.1	P0CR.0
P1CR (E2H)	P1CR.7	P1CR.6	P1CR.5	P1CR.4	P1CR.3	P1CR.2	P1CR.1	P1CR.0
P2CR (E3H)	P2CR.7	P2CR.6	P2CR.5	P2CR.4	P2CR.3	P2CR.2	P2CR.1	P2CR.0
P3CR (E4H)	-	-	P3CR.5	P3CR.4	P3CR.3	P3CR.2	P3CR.1	P3CR.0
R/W	R/W	R/W	R/W	R/W	R/W	R/W	R/W	R/W
Reset Value (POR/WDT/LVR/PIN)	0	0	0	0	0	0	0	0

Bit Number	Bit Mnemonic	Description
7-0	PxCRy x = 0-3, y = 0-7	Port input/output direction control Register 0: input mode 1: output mode

Table 7.16 Port Pull up Resistor Control Register

E9H - ECH	Bit7	Bit6	Bit5	Bit4	Bit3	Bit2	Bit1	Bit0
P0PCR (E9H)	P0PCR.7	P0PCR.6	P0PCR.5	P0PCR.4	P0PCR.3	P0PCR.2	P0PCR.1	P0PCR.0
P1PCR (EAH)	P1PCR.7	P1PCR.6	P1PCR.5	P1PCR.4	P1PCR.3	P1PCR.2	P1PCR.1	P1PCR.0
P2PCR (EBH)	P2PCR.7	P2PCR.6	P2PCR.5	P2PCR.4	P2PCR.3	P2PCR.2	P2PCR.1	P2PCR.0
P3PCR (ECH)	-	-	P3PCR.5	P3PCR.4	P3PCR.3	P3PCR.2	P3PCR.1	P3PCR.0
R/W	R/W	R/W	R/W	R/W	R/W	R/W	R/W	R/W
Reset Value (POR/WDT/LVR/PIN)	0	0	0	0	0	0	0	0

Bit Number	Bit Mnemonic	Description
7-0	PxPCRY x = 0-3, y = 0-7	Input Port internal pull-high resistor enable/disable control 0: internal pull-high resistor disabled 1: internal pull-high resistor enabled



Table 7.17 Port Data Register

80H, 90H, A0H, B0H	Bit7	Bit6	Bit5	Bit4	Bit3	Bit2	Bit1	Bit0
P0 (80H)	P0.7	P0.6	*P0.5	*P0.4	*P0.3	*P0.2	P0.1	P0.0
P1 (90H)	P1.7	P1.6	P1.5	P1.4	P1.3	P1.2	P1.1	P1.0
P2 (A0H)	P2.7	P2.6	P2.5	P2.4	P2.3	P2.2	P2.1	P2.0
P3 (B0H)	-	-	P3.5	P3.4	P3.3	P3.2	P3.1	P3.0
R/W	R/W	R/W	R/W	R/W	R/W	R/W	R/W	R/W
Reset Value (POR/WDT/LVR/PIN)	0	0	0	0	0	0	0	0

Bit Number	Bit Mnemonic	Description
7-0	Px.y x = 0-3, y = 0-7	Port Data Register

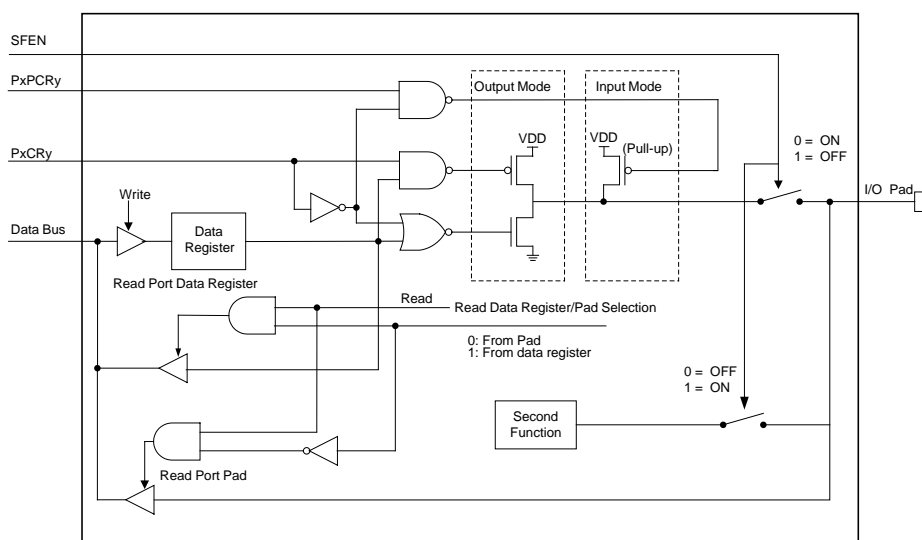
Note: P0.2- P0.5 are configured as N-channel open drain I/O, but voltage provided for this pin can't exceed $V_{DD} + 0.3V$.

Table 7.18 Port Mode select Register

EFH	Bit7	Bit6	Bit5	Bit4	Bit3	Bit2	Bit1	Bit0
P0OS	-	-	P05OS	P04OS	P03OS	P02OS	-	-
R/W	-	-	R/W	R/W	R/W	R/W	-	-
Reset Value (POR/WDT/LVR/PIN)	-	-	0	0	0	0	-	-

Bit Number	Bit Mnemonic	Description
5-2	P0xOS x = 2-5	Port output mode select 0: Port output mode is N-channel open drain 1: Port output mode is CMOS

7.7.3 Port Diagram



Note:

- (1) The input source of reading input port operation is from the input pin directly.
- (2) The input source of reading output port operation has two paths, one is from the port data Register, and the other is from the output pin directly. The read Instruction distinguishes which path is selected: The read-modify-write instruction is for the reading of the data register in output mode, and the other instructions are for reading of the output pin directly.
- (3) The destination of writing port operation is the data register regardless the port shared as the second function or not.



7.7.4 Port Share

The 30 bi-directional I/O ports can also share second or third special function. But the share priority should obey the **Outer Most Inner Lest** rule:

The out most pin function in **Pin Configuration** has the highest priority, and the inner most pin function has the lowest priority. This means when one pin is occupied by a higher priority function (if enabled), it cannot be used as the lower priority functional pin, even the lower priority function is also enabled. Only until the higher priority function is closed by hardware or software, can the corresponding pin be released for the lower priority function use. Also the function that need pull up resistor is also controlled by the same rule.

When port share function is enabled, the user can modify PxCR, PxPCR (x = 0-3), but these operations will have no effect on the port status until the second function was disabled.

When port share function is enabled, any read or write operation to port will only affect the data register while the port pin keeps unchanged until all the share functions are disabled.

PORT0:

- INT3-2 (P0.1-P0.0): external interrupt3-2
- AN3-AN0 (P0.5-P0.2): ADC input channel3-0
- T1 (P0.6): Timer1 external input
- INT1 (P0.7): external interrupt1
- PWM21 (P0.7): PWM21 output

Table 7.19 PORT0 Share Table

Pin No. (LQFP32)	Priority	Function	Enable bit
27	1	INT2	Set EX2 bit in IEN1 Register and Port0.0 is in input mode
	2	P0.0	Always as I/O
26	1	INT3	Set EX3 bit in IEN1 Register and Port0.1 is in input mode
	2	P0.1	Always as I/O
25	1	AN0	Set CH0 bit in ADCH Register and set ADON bit in ADCON Register, and SCH [2:0] = 000
	2	P0.2	clear CH0 bit in ADCH Register
24	1	AN1	Set CH1 bit in ADCH Register and set ADON bit in ADCON Register, and SCH [2:0] = 001
	2	P0.3	clear CH1 bit in ADCH Register
23	1	AN2	Set CH2 bit in ADCH Register and set ADON bit in ADCON Register, and SCH [2:0] = 010
	2	P0.4	clear CH2 bit in ADCH Register
22	1	AN3	Set CH3 bit in ADCH Register and set ADON bit in ADCON Register, and SCH [2:0] = 011
	2	P0.5	clear CH3 bit in ADCH Register
21	1	T1	Set TR1 bit in TCON Register and Set C/T1 bit in TMOD Register (Auto Pull up)
	2	P0.6	Above condition is not met
20	1	PWM21	Set EPWM21 bit in PWMEN register
	2	INT1	Set EX1 bit in IEN0 Register and Port0.7 is in input mode
	3	P0.7	Above condition is not met

Note: When P0OS = 0, pin 22-25 are configured as N-channel open drain I/O.



PORT1:

- AN7-AN4 (P1.5-P1.2): ADC input channel
- RST (P1.7): system reset pin
- INT40-44, INT47 (P1.5-P1.1, P1.0): external interrupts
- T0 (P1.6): Timer0 external input
- AVREF (P1.6): AD reference voltage

Table 7.20 PORT1 Share Table

Pin No. (LQFP32)	Priority	Function	Enable bit
28	1	INT47	Set EX4 bit in IEN1 register and EXS47 bit in IENC register, P1.0 in input mode IEN1
	2	P1.0	Always as I/O
29	1	INT44	Set EX4 bit in IEN1 register and EXS44 bit in IENC register, P1.1 in input mode IEN1
	2	P1.1	Always as I/O
30	1	INT43	Set EX4 bit in IEN1 register and EXS43 bit in IENC register, P1.2 in input mode IEN1
	2	AN4	Set CH4 bit in ADCH Register and set ADON bit in ADCON Register, and SCH [2:0] = 100
	3	P1.2	clear CH4 bit in ADCH Register
31	1	INT42	Set EX4 bit in IEN1 register and EXS42 bit in IENC register, P1.3 in input mode IEN1
	2	AN5	Set CH5 bit in ADCH Register and set ADON bit in ADCON Register, and SCH [2:0] = 101
	3	P1.3	clear CH5 bit in ADCH Register
32	1	INT41	Set EX4 bit in IEN1 register and EXS41 bit in IENC register, P1.4 in input mode IEN1
	2	AN6	Set CH6 bit in ADCH Register and set ADON bit in ADCON Register, and SCH [2:0] = 110
	3	P1.4	clear CH6 bit in ADCH Register
1	1	INT40	Set EX4 bit in IEN1 register and EXS40 bit in IENC register, P1.5 in input mode IEN1
	2	AN7	Set CH7 bit in ADCH Register and set ADON bit in ADCON Register, and SCH [2:0] = 111
	3	P1.5	clear CH7 bit in ADCH Register
2	1	T0	Set TR0 bit in TCON Register and Set C/T0 bit in TMOD Register (Auto Pull up)
	2	VREF	Set REFC bit in RXDCON register
	3	P1.6	Above condition is not met
3	-	RST	Selected by Code Option
	-	P1.7	Selected by Code Option



PORT2:

- INT46-45 (P2.7/P2.6): external interrupts
- PWM11/01 (P2.7/P2.6): PWM11/01 output
- PWM1/2 (P2.5/P2.3): PWM1 output
- PWM0 (P2.4): PWM0 output
- TXD/MISO (P2.1): EUART data output or SPI master input slave output
- RXD/MOSI (P2.2): EUART data input or SPI master output slave input
- BZ (P2.0): Buzzer output
- SCK (2.0): SPI serial clock

Table 7.21 PORT2 Share Table

Pin No. (LQFP32)	Priority	Function	Enable bit
19	1	PWM11	Set EPWM11 bit in PWMEN register
	2	INT46	Set EX4 bit in IEN1 register and EXS46 bit in IENC register, P2.7 in input mode IEN1
	3	P2.7	Above condition is not met
18	1	PWM01	Set EPWM01 bit in PWMEN register
	2	INT45	Set EX4 bit in IEN1 register and EXS45 bit in IENC register, P2.6 in input mode IEN1
	3	P2.6	Above condition is not met
17	1	PWM1	Set EPWM1 bit in PWMEN register
	2	P2.5	Clear EPWM1 bit in PWMEN register
16	1	PWM0	Set EPWM0 bit in PWMEN register
	2	P2.4	Clear EPWM0 bit in PWMEN register
15	1	PWM2	Set EPWM2 bit in PWMEN register
	2	P2.3	Clear EPWM2 bit in PWMEN register
14	1	RXD	Set REN bit in SCON Register, (Auto Pull up)
	2	MOSI	Set SPEN bit in SPSTA Register in Slave mode (when SPEN,CPHA,SSDIS bits all set in Slave mode, Auto Pull up)
	3	P2.2	Above condition is not met
13	1	TXD	When Write to SBUF Register
	2	MISO	Set SPEN bit in SPSTA Register (Set SPEN bit in SPSTA Register in Master mode, Auto Pull up)
	3	P2.1	Above condition is not met
12	1	BZ	Set BZEN bit in BUZCON register
	2	SCK	Set SPEN bit in SPSTA Register (when SPEN,CPHA,SSDIS bits all set in Slave mode, Auto Pull up)
	3	P2.0	Above condition is not met



PORT3:

- XTALX1 (P3.3): XTAL input
- XTALX2 (P3.4): XTAL output
- T2 (P3.2): Timer2 external input/baud-rate clock output
- T2EX (P3.1): Timer2 reload/capture control
- INT0 (P3.1): external interrupt0
- FLT/ $\overline{\text{SS}}$ (P3.0): Fault input pin or SPI Slave Select

Table 7.22 PORT3 Share Table

Pin No. (LQFP32)	Priority	Function	Enable bit
5, 4	-	XTAL1/2	Selected by Code Option
	-	P3.4-P3.3	Selected by Code Option
8	1	T2EX	In mode0, 1 (DCEN = 0), in mode2, 3, set EXEN2 bit in T2CON register, or in mode 1 set TR2 bit in T2CON register and DCEN bit in T2MOD register
	2	P3.2	Above condition is not met
9	1	T2	Set TR2 bit and C/T2 bit in T2CON register or clear C/T2 bit and set T2OE bit in T2MOD register
	2	INT0	Set EX0 bit in IEN0 Register and Port3.1 is in input mode
	3	P3.1	Above condition is not met
10	1	FLT	Set EFLT bit in PWMEN register
	2	$\overline{\text{SS}}$	When SPEN = 1, Clear SSDIS bit in SPCON Register in SPI master mode or clear SSDIS bit when CPHA = 1 in SPCON Register in SPI slave mode or clear CPHA = 0 in SPCON Register in SPI slave mode (when SPEN = 1 & Master = 1 & SSDIS = 0, auto pull-high or when SPEN = 1 & Master = 0, auto pull-high)
	3	P3.0	Above condition is not met
11	-	P3.5	Always as I/O



7.8 Timer

7.8.1 Feature

- The SH79F1617A has three timers (Timer0, 1, 2)
- Timer0 is compatible with the standard 8051
- Timer1 is compatible with the standard 8051
- Timer2 is compatible with the standard 8052 and has up or down counting and programmable clock output function
- Timer0/1 clock source selectable
- Timer0/1 clock source prescale function

7.8.2 Timer0/1

Each timer is implemented as a 16-bit register accessed as two cascaded Timer x/ Counter x Data Registers: THx & TLx (x = 0, 1). They are controlled by the register TCON and TMOD. The Timer 0 & Timer 1 interrupts can be enabled by setting the ET0 & ET1 bit in the IEN0 register (Refer to **Interrupt** Section for details).

Timer 0 & Timer 1 Mode

Both timers operate in one of four primary modes selected by the Mode Select bits Mx1-Mx0 (x = 0, 1) in the Counter/Timer Mode register (TMOD).

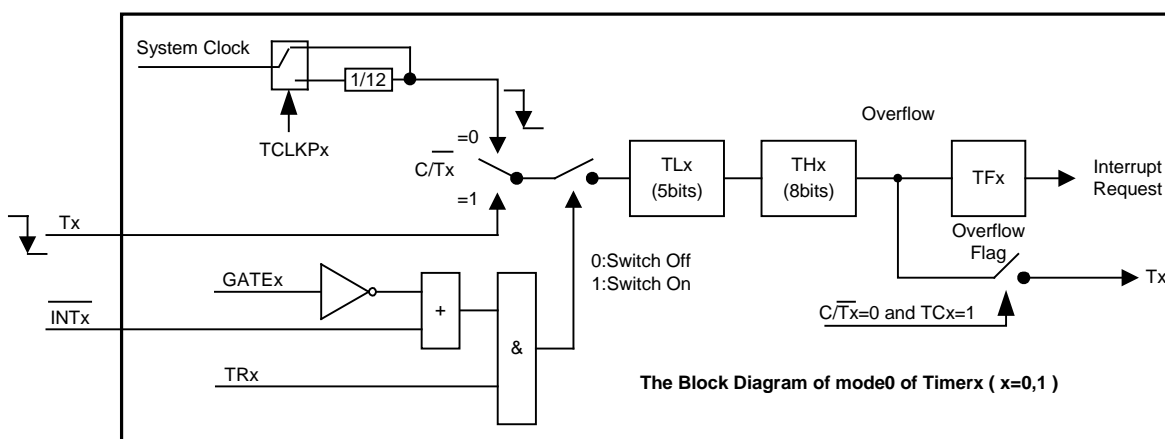
Mode 0: 13-bit Counter/Timer

Timer x operate as 13-bit counter/timers in Mode 0. The THx register holds the high eight bits of the 13-bit counter/timer, TLx holds the five low bits TLx.4- TLx.0. The three upper bits (TLx.7- TLx.5) of TLx are indeterminate and should be ignored when reading. As the 13-bit timer register increments and overflows, the timer overflow flag TFX is set and an interrupt will occur if Timer interrupts is enabled. The C/Tx bit selects the counter/timer's clock source.

If C/Tx = 1, high-to-low transitions at the Timer input pin (Tx) will increase the timer/Counter Data register. Else if C/Tx = 0, selects the system clock to increase the timer/Counter Data register. Setting the TRx bit enables the timer when either GATEx = 0, or GATEx = 1 and the input signal INTx is active. Setting GATEx to '1' allows the timer to be controlled by the external input signal INTx, facilitating positive pulse width in INTx measurements. Setting TRx does not force the timer to reset. This means that if TRx is set, the timer register will count from the old value that was last stopped by clearing TRx. So the timer registers should be loaded with the desired initial value before the timer is enabled.

System clock or 1/12 of system clock can be selected as Timer x (x = 0, 1) clock source by configuring TCLKPx (x = 0, 1) in TCON1 Register.

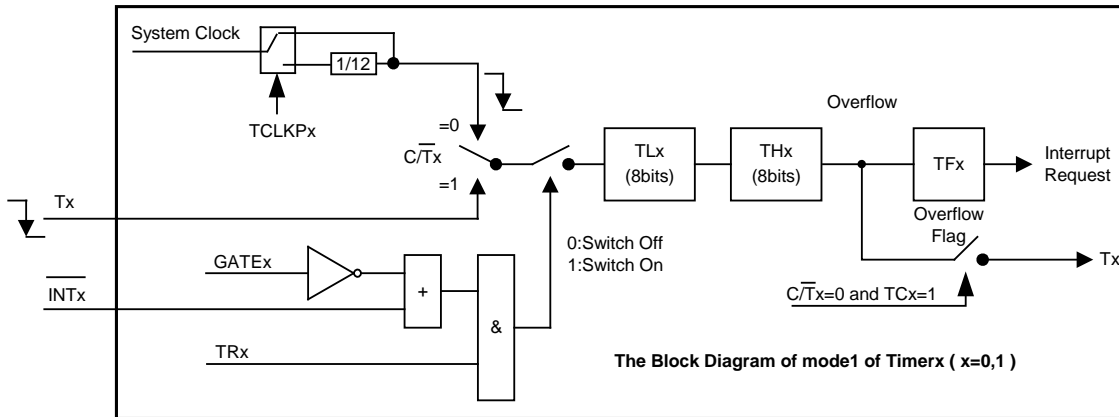
When as Timer, the T0/T1 pin can automatically toggle upon Timer0/1 overflow by configuring TC0/1 in TCON1 Register. The T0/T1 pin is automatically set as output by hardware when TC0/1 is set.





Mode 1: 16-bit Counter/Timer

Mode 1 operation is the same as Mode 0, except that the counter/timer registers use all 16 bits. The counter/timers are enabled and configured in Mode 1 in the same manner as for Mode 0.

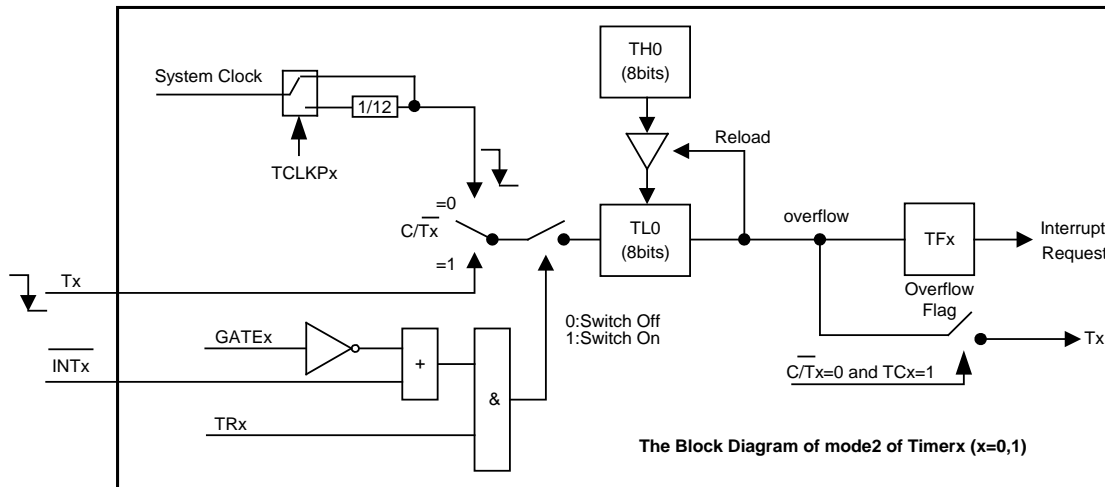


Mode 2: 8-bit Counter/Timer with Auto-Reload

Mode 2 configures Timer 0 and Timer 1 to operate as 8-bit counter/timers with automatic reload of the start value. TLx holds the count and THx holds the reload value. When the counter in TLx overflows from 0xFF to THx, the timer overflow flag TFx is set and the counter in TLx is reloaded from THx. If Timer 0 interrupts are enabled, an interrupt will occur when the TFx flag is set. The reload value in TH0 is not changed. TLx 0 must be initialized to the desired value before enabling the timer for the first count to be correct.

Except the Auto-Reload function, both counter/timers are enabled and configured in Mode 2 is the same as in Mode 0 & Mode 1. System clock or 1/12 of system clock can be selected as Timer x (x = 0, 1) clock source by configuring TCLKPx (x = 0, 1) in TCON1 Register.

When as Timer, the T0/T1 pin can automatically toggle upon Timer0/1 overflow by configuring TC0/1 in TCON1 Register. The T0/T1 pin is automatically set as output by hardware when TC0/1 is set.





Mode 3: Two 8-bit Counter/Timers (Timer 0 Only)

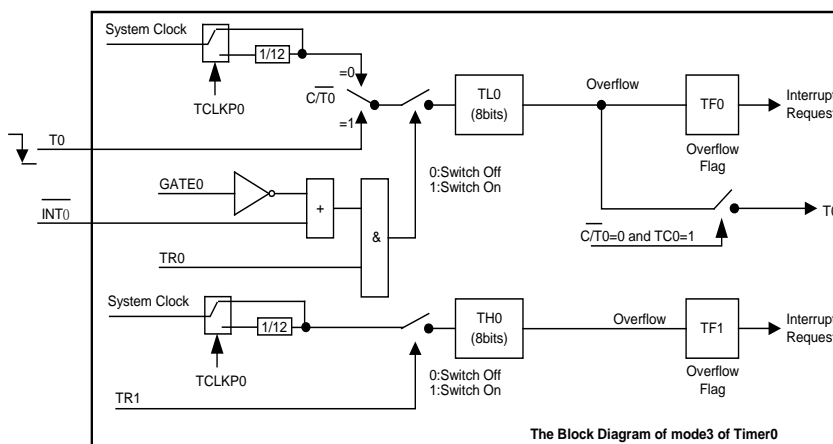
In Mode 3, Timer 0 is configured as two separate 8-bit counter/timers held in TL0 and TH0. TL0 is controlled using the Timer 0 control/status bits in TCON and TMOD: TR0, C/T0, GATE0 and TF0. TL0 can use either the system clock or an external input signal as its time base.

The TH0 is restricted to a timer function sourced by the system clock. TH0 is enabled using the Timer 1 control bit TR1. THx sets the Timer 1 overflow flag TF1 on overflow and thus controls the Timer 1 interrupt.

When timer 0 is operating in Mode 3, timer 1 can be operated in modes 0, 1 or 2, but it cannot set the TF1 flag and generate an interrupt. The Timer 1 overflow can generate baud-rate for the EUART. The TH1 and TL1 register is restricted to a timer function sourced by the system clock, and gate 1 is invalid. And the pull high resistor of T1 input pin is also disabled. Timer 1 run control is handled through its mode settings, because TR1 is used by Time 0. When the timer 1 is in mode 0, 1, or 2, timer 1 is enable. When the timer 1 is in mode 3, timer 1 is disable.

System clock or 1/12 of system clock can be selected as Timer0 clock source by configuring TCLKP0 in TCON1 Register.

When as Timer, the T0 pin can automatically toggle upon Timer0 overflow by configuring TC0 in TCON1 Register. The T0 pin is automatically set as output by hardware when TC0 is set.



Note: While Timer1 is used as baud rate generator, reading or writing TH1/TL1 will affect the accuracy of baud rate, thus might make cause communication error.

Registers

Table 7.23 Timer/Counter x Control register (x = 0, 1)

88H	Bit7	Bit6	Bit5	Bit4	Bit3	Bit2	Bit1	Bit0
TCON	TF1	TR1	TF0	TR0	IE1	IT1	IE0	IT0
R/W	R/W	R/W	R/W	R/W	R/W	R/W	R/W	R/W
Reset Value (POR/WDT/LVR/PIN)	0	0	0	0	0	0	0	0

Bit Number	Bit Mnemonic	Description
7, 5	TFx x = 0, 1	Timer x overflow flag 0: Timer x no overflow, can be cleared by software 1: Timer x overflow, set by hardware; set by software will cause a timer interrupt
6, 4	TRx x = 0, 1	Timer x start, stop control bits 0: Stop timer x 1: Start timer x
3, 1	IEx x = 0, 1	External interrupt x request flag
2, 0	ITx x = 0, 1	External interrupt x trigger mode select bits



Table 7.24 Timer/Counter x Mode Register (x = 0, 1)

89H	Bit7	Bit6	Bit5	Bit4	Bit3	Bit2	Bit1	Bit0
TMOD	GATE1	C/T1	M11	M10	GATE0	C/T0	M01	M00
R/W	R/W	R/W	R/W	R/W	R/W	R/W	R/W	R/W
Reset Value (POR/WDT/LVR/PIN)	0	0	0	0	0	0	0	0

Bit Number	Bit Mnemonic	Description
7, 3	GATE _x x = 0, 1	Timer x Gate Control bits 0: Timer x is enabled whenever TR _x control bit is set 1: Timer x is enabled only while INT _x pin is high and TR _x control bit is set
6, 2	C/T _x x = 0, 1	Timer x Timer/Counter mode selected bits 0: Timer Mode, T0 or T1 pin is used as I/O port 1: Counter Mode
5-4 1-0	M _x [1:0] x = 0, 1	Timer x Timer mode selected bits 00: Mode 0, 13-bit up counter/timer, bit7-5 of TL _x is ignored. 01: Mode 1, 16-bit up counter/timer 10: Mode 2, 8-bit auto-reload up counter/timer 11: Mode 3 (only for Timer0), two 8-bit up timer

Table 7.25 Timer/Counter x Data Register (x = 0, 1)

8AH-8DH	Bit7	Bit6	Bit5	Bit4	Bit3	Bit2	Bit1	Bit0
TL0 (8AH)	TL0.7	TL0.6	TL0.5	TL0.4	TL0.3	TL0.2	TL0.1	TL0.0
TH0 (8CH)	TH0.7	TH0.6	TH0.5	TH0.4	TH0.3	TH0.2	TH0.1	TH0.0
TL1 (8BH)	TL1.7	TL1.6	TL1.5	TL1.4	TL1.3	TL1.2	TL1.1	TL1.0
TH1 (8DH)	TH1.7	TH1.6	TH1.5	TH1.4	TH1.3	TH1.2	TH1.1	TH1.0
R/W	R/W	R/W	R/W	R/W	R/W	R/W	R/W	R/W
Reset Value (POR/WDT/LVR/PIN)	0	0	0	0	0	0	0	0

Bit Number	Bit Mnemonic	Description
7-0	TL _x .y, TH _x .y x = 0-1, y = 0-7	Timer x Low & High byte counter

Table 7.26 Timer/Counter x Control Register1 (x = 0, 1)

CEH	Bit7	Bit6	Bit5	Bit4	Bit3	Bit2	Bit1	Bit0
TCON1	-	-	-	-	TCLKP1	TCLKP0	TC1	TC0
R/W	-	-	-	-	R/W	R/W	R/W	R/W
Reset Value (POR/WDT/LVR/PIN)	-	-	-	-	0	0	0	0

Bit Number	Bit Mnemonic	Description
3-2	TCLKP _x x = 0, 1	Timer x Clock Source Prescale bits 0: Select 1/12 of system clock as Timer x Clock Source 1: Select system clock as Timer x Clock Source
1-0	TC _x x = 0, 1	Compare function Enable bits 0: Disable compare function of Timer x 1: Enable compare function of Timer x



7.8.3 Timer2

The Timer2 is implemented as a 16-bit register accessed as two cascaded data registers: TH2 and TL2. It is controlled by the register T2CON and T2MOD. The Timer2 interrupt can be enabled by setting the ET2 bit in the IEN0 register. (Refer to Interrupt Section for details)

C/T2 selects system clock (timer operation) or external pin T2 (counter operation) as the timer clock input. Setting TR2 allows Timer2/Counter2 Data Register to increment by the selected input.

Timer2 Modes

Timer 2 has 4 operating modes: Capture/Reload, Auto-reload mode with up or down counter, Baud Rate Generator and Programmable clock-output. These modes are selected by the combination of RCLK, TCLK and CP/RL2.

Timer2 Mode select

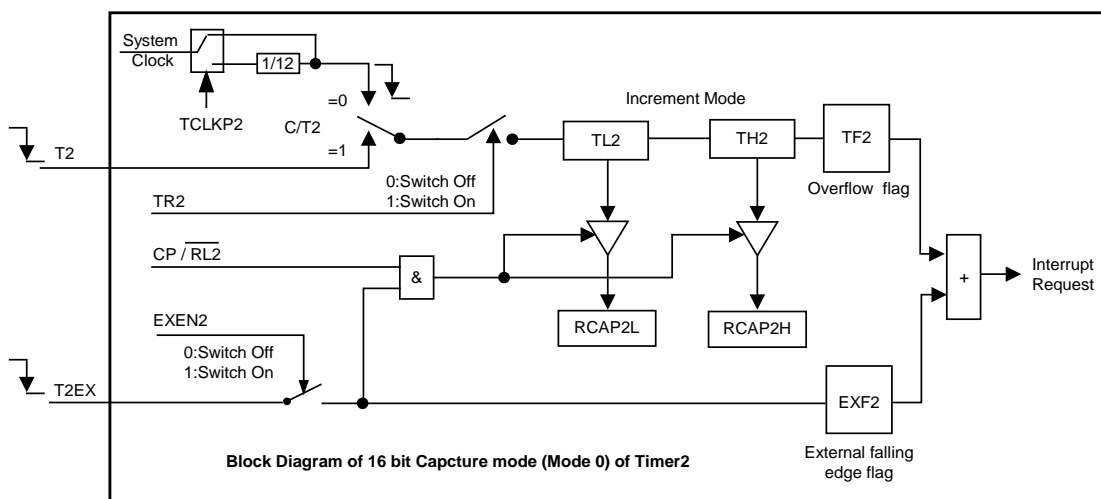
C/T2	T2OE	DCEN	TR2	CP/RL2	RCLK	TCLK	Mode		
X	0	X	1	1	0	0	0	16 bit capture	
X	0	0	1	0	0	0	1	16 bit auto-reload timer	
X	0	1	1	0	0	0			
X	0	X	1	X	1	X	2	Baud-Rate generator	
					X	1			
0	1	X	1	X	0	0	3	Programmable clock-output only	
					1	X	3	Programmable clock-output, with Baud-rate generator	
					X	1			
1	1	X	1	X	X	X		Not recommending	
X	X	X	0	X	X	X	X		Timer2 stop, the T2EX path still enable

Mode0: 16 bit Capture

In the capture mode, two options are selected by bit EXEN2 in T2CON.

If EXEN2 = 0, Timer 2 is a 16-bit timer or counter which will set TF2 on overflow to generate an interrupt if ET2 is enabled.

If EXEN2 = 1, Timer 2 performs the same operation, but a 1-to-0 transition at external input T2EX also causes the current value in TH2 and TL2 to be captured into RCAP2H and RCAP2L respectively. In addition, a 1-to-0 transition at T2EX causes bit EXF2 in T2CON to be set. The EXF2 bit, like TF2, can also generate an interrupt if ET2 is enabled.





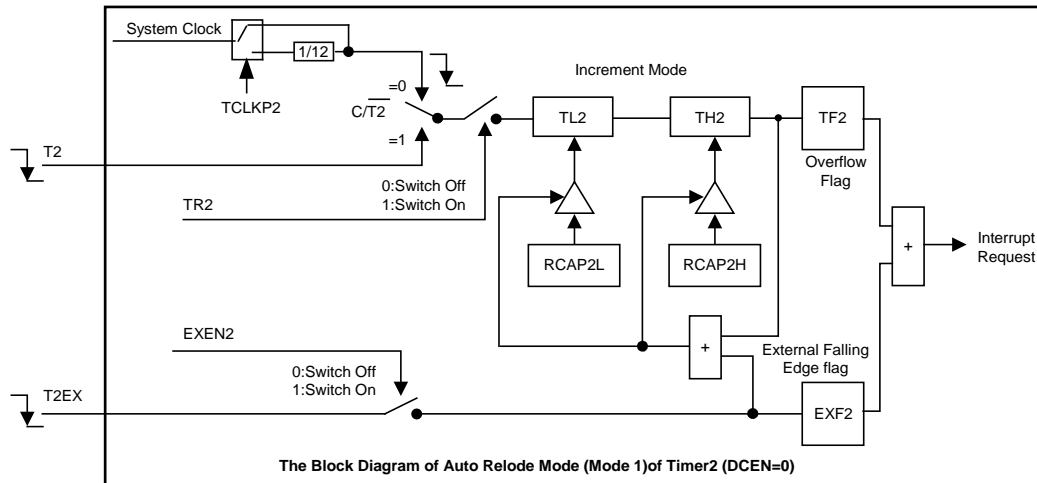
Mode1: 16 bit auto-reload Timer

Timer 2 can be programmed to count up or down when configured in its 16-bit auto-reload mode. This feature is invoked by the DCEN (Down Counter Enable) bit in T2MOD. After reset, the DCEN bit is set to 0 so that timer 2 will default to count up. When DCEN is set, Timer 2 can count up or down, depending on the value of the T2EX pin.

When DCEN = 0, two options are selected by bit EXEN2 in T2CON.

If EXEN2 = 0, Timer 2 counts up to 0FFFFH and then sets the TF2 bit upon overflow. The overflow also causes the timer registers to be reloaded with the 16-bit value in RCAP2H and RCAP2L, which are pressed by software.

If EXEN2 = 1, a 16-bit reload can be triggered either by an overflow or by a 1-to-0 transition at external input T2EX. This transition also sets the EXF2 bit. Both the TF2 and EXF2 bits can generate an interrupt if ET2 is enabled.



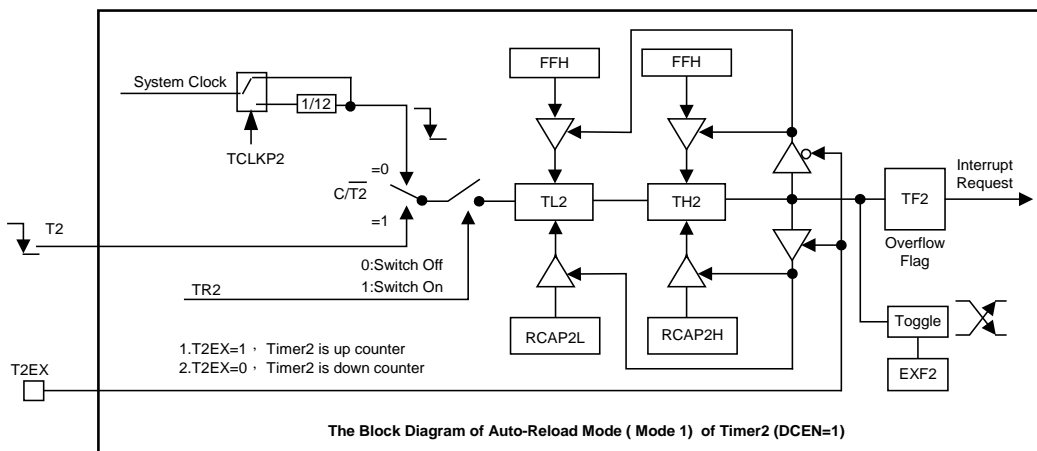
The Block Diagram of Auto Relode Mode (Mode 1)of Timer2 (DCEN=0)

Setting the DCEN bit enables Timer 2 to count up or down. When DCEN = 1, the T2EX pin controls the direction of the count, and EXEN2's control is invalid.

A logical "1" at T2EX makes Timer 2 count up. The timer will overflow at 0FFFFH and set the TF2 bit. This overflow also causes the 16-bit value in RCAP2H and RCAP2L to be reloaded into the timer registers, TH2 and TL2, respectively.

A logical "0" at T2EX makes Timer 2 count down. The timer underflows when TH2 and TL2 equal the values stored in RCAP2H and RCAP2L. The underflow sets the TF2 bit and causes 0FFFFH to be reloaded into the timer registers.

The EXF2 bit toggles whenever Timer 2 overflows or underflows and can be used as a 17th bit of resolution. In this operating mode, EXF2 does not flag an interrupt.



The Block Diagram of Auto-Reload Mode (Mode 1) of Timer2 (DCEN=1)



Mode2: Baud-Rate Generator

Timer2 is selected as the baud rate generator by setting TCLK and/or RCLK in T2CON. The baud rates for transmit and receive can be different if Timer2 is used for the receiver or transmitter and Timer1 is used for the other.

Setting RCLK and/or TCLK will put Timer2 into its baud rate generator mode, which is similar to the auto-reload mode.

Over flow of Timer 2 will causes the Timer2 registers to be reloaded with the 16-bit value in registers RCAP2H and RCAP2L that preset by software. But this will not generate an interrupt.

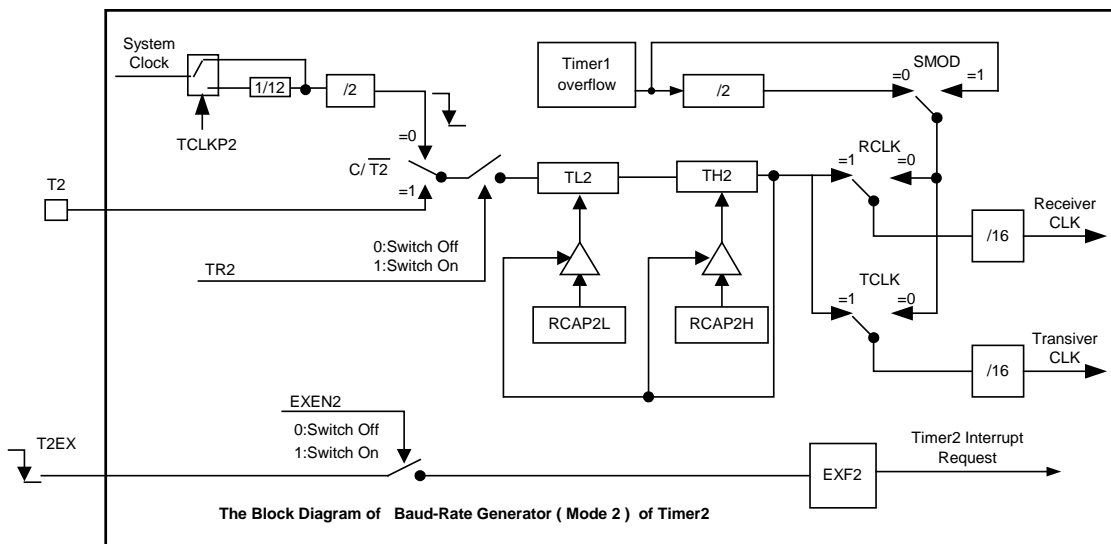
If EXEN2 is set, a 1-to-0 transition in T2EX will set EXF2 but will not cause a reload. Thus when Timer2 is in use as a baud rate generator, T2EX can be used as an extra external interrupt.

The baud rates in EUART Modes 1 and 3 are determined by Timer2's overflow rate according to the following equation.

$$\text{BaudRate} = \frac{1}{2 \times 16} \times \frac{f_{\text{SYS}}}{65536 - [\text{RCAP2H}, \text{RCAP2L}]} ; \overline{\text{C/T2}} = 0, \text{TCLKP2} = 0$$

$$\text{BaudRate} = \frac{1}{2 \times 16 \times 12} \times \frac{f_{\text{SYS}}}{65536 - [\text{RCAP2H}, \text{RCAP2L}]} ; \overline{\text{C/T2}} = 0, \text{TCLKP2} = 1$$

$$\text{BaudRate} = \frac{1}{16} \times \frac{f_{\text{T2}}}{65536 - [\text{RCAP2H}, \text{RCAP2L}]} ; \overline{\text{C/T2}} = 1$$





Mode3: Programmable Clock Output

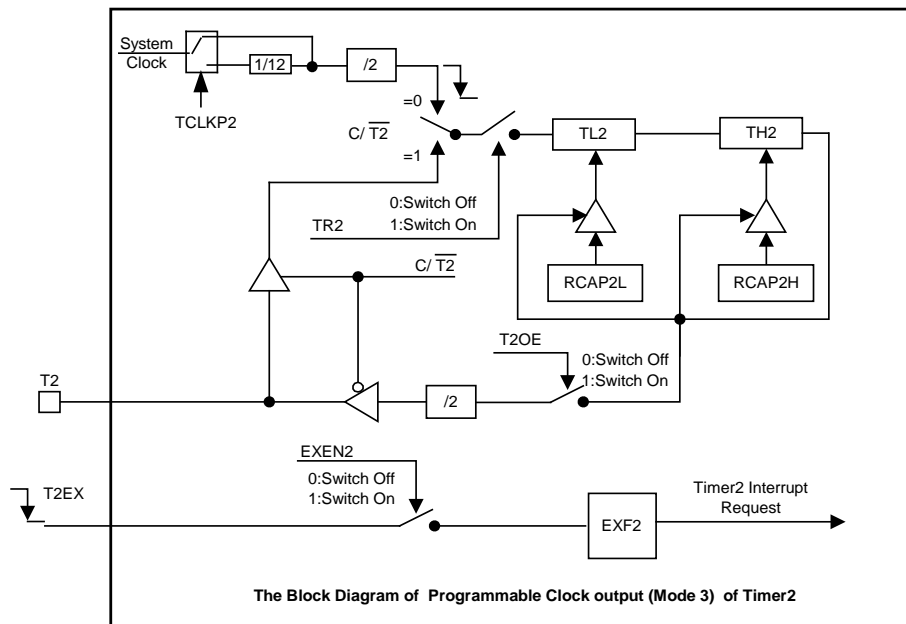
A 50% duty cycle clock can be programmed to come out on P0.5. To configure the Timer2 as a clock generator, bit C/T2 must be cleared and bit T2OE must be set. Bit TR2 starts and stops the timer.

In this mode T2 will output a 50% duty cycle clock:

$$\text{Clock Out Frequency} = \frac{1}{2 \times 2} \times \frac{f_{\text{SYS}}}{65536 - [\text{RCAP2H}, \text{RCAP2L}]} ; \text{TCLKP2} = 0$$

$$\text{Clock Out Frequency} = \frac{1}{2 \times 2 \times 12} \times \frac{f_{\text{SYS}}}{65536 - [\text{RCAP2H}, \text{RCAP2L}]} ; \text{TCLKP2} = 1$$

Timer 2 overflow will not generate an interrupt, so it is possible to use Timer 2 as a baud-rate generator and a clock output simultaneously with the same frequency.



Note:

- (1) Both TF2 and EXF2 can cause timer2 interrupt request, and they have the same vector address.
- (2) TF2 and EXF2 are set as 1 by hardware while event occurs. But they can also be set by software at any time. Only the software and the hardware reset will be able to clear TF2 & EXF2 to 0.
- (3) When EA = 1 & ET2 = 1, setting TF2 or EXF2 as 1 will cause a timer2 interrupt.
- (4) While Timer2 is used as baud rate generator, writing TH2/TL2, writing RCAPH2/RCAPL2 will affect the accuracy of baud rate, thus might make cause communication error.



Registers

Table 7.27 Timer2 Control Register

C8H	Bit7	Bit6	Bit5	Bit4	Bit3	Bit2	Bit1	Bit0
T2CON	TF2	EXF2	RCLK	TCLK	EXEN2	TR2	C/T2	CP/RL2
R/W	R/W	R/W	R/W	R/W	R/W	R/W	R/W	R/W
Reset Value (POR/WDT/LVR/PIN)	0	0	0	0	0	0	0	0

Bit Number	Bit Mnemonic	Description
7	TF2	Timer2 overflow flag bit 0: No overflow 1: Overflow (Set by hardware if RCLK = 0 & TCLK = 0)
6	EXF2	External event input (falling edge) from T2EX pin detected flag bit 0: No external event input (Must be cleared by software) 1: Detected external event input (Set by hardware if EXEN2 = 1)
5	RCLK	EUART0 Receive Clock control bit 0: Timer1 generates receiving baud-rate 1: Timer2 generates receiving baud-rate
4	TCLK	EUART0 Transmit Clock control bit 0: Timer1 generates transmitting baud-rate 1: Timer2 generates transmitting baud-rate
3	EXEN2	External event input (falling edge) from T2EX pin used as Reload/Capture trigger enable/disable control bit 0: Ignore events on T2EX pin 1: Cause a capture or reload when a negative edge on T2EX pin is detected, when Timer2 is not used to clock the EUART (T2EX always has a pull up resistor)
2	TR2	Timer2 start/stop control bit 0: Stop Timer2 1: Start Timer2
1	C/T2	Timer2 Timer/Counter mode selected bit 0: Timer Mode, T2 pin is used as I/O port 1: Counter Mode, the internal pull-up resistor is turned on
0	CP/RL2	Capture/Reload mode selected bit 0: 16 bits timer/counter with reload function 1: 16 bits timer/counter with capture function



Table 7.28 Timer2 Mode Control Register

C9H	Bit7	Bit6	Bit5	Bit4	Bit3	Bit2	Bit1	Bit0
T2MOD	TCLKP2	-	-	-	-	-	T2OE	DCEN
R/W	R/W	-	-	-	-	-	R/W	R/W
Reset Value (POR/WDT/LVR/PIN)	0	-	-	-	-	-	0	0

Bit Number	Bit Mnemonic	Description
7	TCLKP2	Timer 2 Clock Source Prescale bits 0: Select system clock as Timer2 Clock Source 1: Select 1/12 of system clock as Timer2 Clock Source
1	T2OE	Timer 2 Output Enable bit 0: Set P0.5/T2 as clock input or I/O port 1: Set P0.5/T2 as clock output (Baud-Rate generator mode)
0	DCEN	Down Counter Enable bit 0: Disable Timer2 as up/down counter, Timer2 is an up counter 1: Enable Timer2 as up/down counter

Table 7.29 Timer2 Reload/Capture Registers

CAH-CBH	Bit7	Bit6	Bit5	Bit4	Bit3	Bit2	Bit1	Bit0
RCAP2L	RCAP2L.7	RCAP2L.6	RCAP2L.5	RCAP2L.4	RCAP2L.3	RCAP2L.2	RCAP2L.1	RCAP2L.0
RCAP2H	RCAP2H.7	RCAP2H.6	RCAP2H.5	RCAP2H.4	RCAP2H.3	RCAP2H.2	RCAP2H.1	RCAP2H.0
R/W	R/W	R/W	R/W	R/W	R/W	R/W	R/W	R/W
Reset Value (POR/WDT/LVR/PIN)	0	0	0	0	0	0	0	0

Bit Number	Bit Mnemonic	Description
7-0	RCAP2L.x RCAP2H.x	Timer2 Reload/Capturer Data, x = 0-7

Table 7.30 Timer2 Data Registers

CCH-CDH	Bit7	Bit6	Bit5	Bit4	Bit3	Bit2	Bit1	Bit0
TL2	TL2.7	TL2.6	TL2.5	TL2.4	TL2.3	TL2.2	TL2.1	TL2.0
TH2	TH2.7	TH2.6	TH2.5	TH2.4	TH2.3	TH2.2	TH2.1	TH2.0
R/W	R/W	R/W	R/W	R/W	R/W	R/W	R/W	R/W
Reset Value (POR/WDT/LVR/PIN)	0	0	0	0	0	0	0	0

Bit Number	Bit Mnemonic	Description
7-0	TL2.x TH2.x	Timer2 Low & High byte counter, x = 0-7



7.9 Interrupt

7.9.1 Feature

- 14 interrupt sources
- 4 interrupt priority levels
- Program Over Range interrupt (OVL)

The SH79F1617A provides total 14 interrupt sources: one OVL NMI interrupt 5 external interrupts (INT0/1/2/3/4; INT4 including INT40-47, which share the same vector address), 3 timer interrupts (Timer0, 1, 2), one EUART interrupt, SCM Interrupt, ADC Interrupt, SPI interrupt, and PWM interrupts.

7.9.2 Program Over Range Interrupt (OVL)

The SH79F1617A also has a non-maskable interrupt (NMI) source-program over range interrupt (OVL), whose vector is located in 007BH; this NMI is used to prevent CPU run out of valid program range. To enable this feature, the user should fill in the unused flash ROM with constant byte 0xA5, If PC exceeds the valid program range, the operation code will be 0xA5, which is not exist in 8051 instruction set, so the CPU will know the PC is out of valid program range, and the OVL NMI will generate. Also if PC exceeds 16K flash ROM range, the OVL NMI will also be generated.

The OVL NMI has the highest priority (except RESET), and cannot be interrupted by other interrupt source. Also the OVL NMI can be nested by itself, but the stack will not increase since it is useless to push the stack when PC is invalid. When OVL NMI happened, the other interrupt are still enabled, and their flag will be set if required condition is met.

The OVL interrupt is a non-maskable interrupt and it has the highest interrupt priority, when generating the OVL interrupt, the other interrupt will be masked, so the user must process this interrupt service routine to protect their system from unwanted execution result. They can modify the top of stack (since this stack top address is a useless one) with a RETI instruction at the end of NMI Interrupt vector service. These two operations will make the program jump to the code the user wants to be processed, such as reset entry or protection process entry.

```
OVL_NMI_SERVICE:
.....
MOV    DPTR, #Start_or_Initial_address
POP    A
POP    A
PUSH   DPL
PUSH   DPH
RETI
```

Note:

The OVL interrupt is a non-maskable interrupt and it has the highest interrupt priority, when generating the OVL interrupt, the other interrupt will be masked, so the user must process this interrupt service routine to protect their system from unwanted execution result.

In order to enable OVL interrupt, code option must be selected as “generated OVL interrupt” (set OP_OVL). In order to improve program reliability and convenience, recommended code options is “generated OVL Reset” (clear OP_OVL)



7.9.3 Interrupt Enable Control

Each interrupt source can be individually enabled or disabled by setting or clearing the corresponding bit in the interrupt enable registers IEN0 or IEN1. The IEN0 register also contains global interrupt enable bit, EA, which can enable/disable all the interrupts at once. Generally, after reset, all interrupt enable bits are set to 0, which means that all the interrupts are disabled.

Table 7.31 Primary Interrupt Enable Register

A8H	Bit7	Bit6	Bit5	Bit4	Bit3	Bit2	Bit1	Bit0
IEN0	EA	EADC	ET2	ES0	ET1	EX1	ET0	EX0
R/W	R/W	R/W	R/W	R/W	R/W	R/W	R/W	R/W
Reset Value (POR/WDT/LVR/PIN)	0	0	0	0	0	0	0	0

Bit Number	Bit Mnemonic	Description
7	EA	All interrupt enable bit 0: Disable all interrupt 1: Enable all interrupt
6	EADC	ADC interrupt enable bit 0: Disable ADC interrupt 1: Enable ADC interrupt
5	ET2	Timer2 overflow interrupt enable bit 0: Disable Timer2 overflow interrupt 1: Enable Timer2 overflow interrupt
4	ES0	EUART interrupt enable bit 0: Disable EUART interrupt 1: Enable EUART interrupt
3	ET1	Timer1 overflow interrupt enable bit 0: Disable Timer1 overflow interrupt 1: Enable Timer1 overflow interrupt
2	EX1	External interrupt 1 enable bit 0: Disable external interrupt 1 1: Enable external interrupt 1
1	ET0	Timer0 overflow interrupt enable bit 0: Disable Timer0 overflow interrupt 1: Enable Timer0 overflow interrupt
0	EX0	External interrupt 0 enable bit 0: Disable external interrupt 0 1: Enable external interrupt 0



Table 7.32 Secondary Interrupt Enable Register

A9H	Bit7	Bit6	Bit5	Bit4	Bit3	Bit2	Bit1	Bit0
IEN1	-	ESCM	EPWM	-	EX4	EX3	EX2	ESPI
R/W	-	R/W	R/W	-	R/W	R/W	R/W	R/W
Reset Value (POR/WDT/LVR/PIN)	-	0	0	-	0	0	0	0

Bit Number	Bit Mnemonic	Description
6	ESCM	SCM interrupt enable bit 0: Disable SCM interrupt 1: Enable SCM interrupt
5	EPWM	PWM interrupt enable bit 0: Disable PWM interrupt 1: Enable PWM interrupt
3	EX4	External interrupt 4 enable bit 0: Disable external interrupt 4 1: Enable external interrupt 4
2	EX3	External interrupt 3 enable bit 0: Disable external interrupt 3 1: Enable external interrupt 3
1	EX2	External interrupt 2 enable bit 0: Disenable external interrupt 2 1: enable external interrupt 2
0	ESPI	SPI interrupt enable bit 0: Disable SPI interrupt 1: Enable SPI interrupt

Note:

- (1) To enable External interrupt0/1/2/3/4, the corresponding port must be set to input mode before using it.
- (2) To enable PWM timer interrupt, the EPWM bit here should be set. Also, the PWMxIE (x = 0, 1, 2) and PWMPxIE bit in PWM interrupt control register should be set.

Table 7.33 Interrupt channel Enable Register

BAH	Bit7	Bit6	Bit5	Bit4	Bit3	Bit2	Bit1	Bit0
IENC	EXS47	EXS46	EXS45	EXS44	EXS43	EXS42	EXS41	EXS40
R/W	R/W	R/W	R/W	R/W	R/W	R/W	R/W	R/W
Reset Value (POR/WDT/LVR/PIN)	0	0	0	0	0	0	0	0

Bit Number	Bit Mnemonic	Description
7-0	EXS4x (x = 0-7)	External interrupt4 channel select bit (x= 7-0) 0: Disable external interrupt 4x 1: Enable external interrupt 4x



7.9.4 Interrupt Flag

Each Interrupt source has its own interrupt flag, when interrupt occurs corresponding flag will be set by hardware, the interrupt flag bits are listed in Table below.

For **external interrupt (INT0/1/2/3)**, when an external interrupt0/1/2/3 is generated, if the interrupt was edge triggered, the flag (IE0-3 in TCON) that generated this interrupt is cleared by hardware when the service routine is vectored. If the interrupt was level triggered, then the requesting external source directly controls the request flag, rather than the on-chip hardware.

When an **external interrupt4** is generated, the flag (IF4x (x = 0-7) in EXF1 register) that generated this interrupt should be cleared by user's program because the same vector entrance was used in INT4. But if INT4 is setup as level triggered, the flag can't be cleared by user's program, it only be controlled by peripheral signal level that connect to INT source pin.

The **Timer0/1 interrupt** is generated when they overflows, the flag (TFx, x = 0, 1) in TCON register, which is set by hardware, and will be automatically be cleared by hardware when the service routine is vectored.

The **Timer2 interrupt** is generated by the logical OR of flag TF2 and bit EXF2 in T2CON register, which is set by hardware. None of these flags can be cleared by hardware when the service routine is vectored. In fact, the service routine may have to determine whether it was TF2 or EXF2 that generated the interrupt, so the flag must be cleared by software.

The **EUART interrupt** is generated by the logical OR of flag RI and TI in SCON register, which is set by hardware. Neither of these flags can be cleared by hardware when the service routine is vectored. In fact, the service routine will normally have to determine whether it was the receive interrupt flag or the transmission interrupt flag that generated the interrupt, so the flag must be cleared by software.

The **ADC interrupt** is generated by ADCIF bit in ADCON. If an interrupt is generated, the converted result in ADCDH/ADCDL will be valid. If continuous compare function in ADC module is Enable, ADCIF will not be set at each conversion, but set if converted result is larger than compare value. The flag must be cleared by software.

The **SPI interrupt** is generated by SPIF in SPSTA register, which is set by hardware. The flag must be cleared by software.

The **PWM interrupts** are generated by PWMxIF (X = 0-2). The flags can be cleared by software.

Table 7.34 External Interrupt Flag Register

88H	Bit7	Bit6	Bit5	Bit4	Bit3	Bit2	Bit1	Bit0
TCON	TF1	TR1	TF0	TR0	IE1	IT1	IE0	IT0
R/W	R/W	R/W	R/W	R/W	R/W	R/W	R/W	R/W
Reset Value (POR/WDT/LVR/PIN)	0	0	0	0	0	0	0	0

Bit Number	Bit Mnemonic	Description
3, 1	IE _x (x = 0, 1)	External interrupt x request flag bit 0: No interrupt pending 1: Interrupt is pending
2, 0	IT _x (x = 0, 1)	External interrupt x trigger mode selection bit 0: Low level trigger 1: Falling edge trigger



Table 7.35 External Interrupt Flag Register

E8H	Bit7	Bit6	Bit5	Bit4	Bit3	Bit2	Bit1	Bit0
EXF0	IT4.1	IT4.0	IT3.1	IT3.0	IT2.1	IT2.0	IE3	IE2
R/W	R/W	R/W	R/W	R/W	R/W	R/W	R/W	R/W
Reset Value (POR/WDT/LVR/PIN)	0	0	0	0	0	0	0	0

Bit Number	Bit Mnemonic	Description
7-6	IT4[1:0]	External interrupt 4 trigger mode selection bit 00: Low Level trigger 01: Trigger on falling edge 10: Trigger on rising edge 11: Trigger on both edge IT4 [1:0] is effect on external interrupt 4x at the same mode
5-4	IT3[1:0]	External interrupt 3 trigger mode selection bit 00: Low Level trigger 01: Trigger on falling edge 10: Trigger on rising edge 11: Trigger on both edge
3-2	IT2[1:0]	External interrupt 2 trigger mode selection bit 00: Low Level trigger 01: Trigger on falling edge 10: Trigger on rising edge 11: Trigger on both edge
1	IE3	External interrupt 3 request flag bit 0: No interrupt pending 1: Interrupt is pending
0	IE2	External interrupt 2 request flag bit 0: No interrupt pending 1: Interrupt is pending

Table 7.36 External Interrupt Flag Register1

D8H	Bit7	Bit6	Bit5	Bit4	Bit3	Bit2	Bit1	Bit0
EXF1	IF47	IF46	IF45	IF44	IF43	IF42	IF41	IF40
R/W	R/W	R/W	R/W	R/W	R/W	R/W	R/W	R/W
Reset Value (POR/WDT/LVR/PIN)	0	0	0	0	0	0	0	0

Bit Number	Bit Mnemonic	Description
7-0	IF4x (x = 0-7)	External interrupt4 request flag bit 0: No interrupt pending 1: Interrupt is pending IF4x is cleared by software



7.9.5 Interrupt Vector

When an interrupt occurs, the program counter is pushed onto the stack and the corresponding interrupt vector address is loaded into the program counter. The interrupt vector addresses are listed in **Interrupt Summary table**.

7.9.6 Interrupt Priority

Each interrupt source can be individually programmed to one of four priority levels by setting or clearing corresponding bits in the interrupt priority control registers IPL0, IPH0, IPL1, and IPH1. But the OVL NMI interrupt has the highest Priority Level (except RESET) of all the interrupt sources, with no IPH/IPL control. The interrupt priority service is described below.

An interrupt service routine in progress can be interrupted by a higher priority interrupt, but can not by another interrupt with the same or lower priority.

The highest priority interrupt service cannot be interrupted by any other interrupt source. If two requests of different priority levels are received simultaneously, the request of higher priority level is serviced.

If requests of the same priority level are pending at the start of an instruction cycle, an internal polling sequence determines which request is serviced.

Interrupt Priority		
Priority bits		Interrupt Level Priority
IPHx	IPLx	
0	0	Level 0 (lowest priority)
0	1	Level 1
1	0	Level 2
1	1	Level 3 (highest priority)

Table 7.37 Interrupt Priority Control Registers

B8H, B4H	Bit7	Bit6	Bit5	Bit4	Bit3	Bit2	Bit1	Bit0
IPL0	-	PADCL	PT2L	PS0L	PT1L	PX1L	PT0L	PX0L
IPH0	-	PADCH	PT2H	PS0H	PT1H	PX1H	PT0H	PX0H
R/W	-	R/W	R/W	R/W	R/W	R/W	R/W	R/W
Reset Value (POR/WDT/LVR/PIN)	-	0	0	0	0	0	0	0
B9H, B5H	Bit7	Bit6	Bit5	Bit4	Bit3	Bit2	Bit1	Bit0
IPL1	-	PSCML	PPWML	-	PX4L	PX3L	PX2L	PSPIL
IPH1	-	PSCMH	PPWMH	-	PX4H	PX3H	PX2H	PSPIH
R/W	-	R/W	R/W	-	R/W	R/W	R/W	R/W
Reset Value (POR/WDT/LVR/PIN)	-	0	0	-	0	0	0	0
Bit Number	Bit Mnemonic	Description						
-	PxxxL/H	Corresponding interrupt source xxx's priority level selection bits						



7.9.7 Interrupt Handling

The interrupt flags are sampled and polled at the fetch cycle of each machine cycle. All interrupts are sampled at the rising edge of the clock. If one of the flags was set, the CPU will find it and the interrupt system will generate a LCALL to the appropriate service routine, provided this hardware-generated LCALL is not blocked by any of the following conditions:

An interrupt of equal or higher priority is already in progress.

The current cycle is not in the final cycle of the instruction in progress. This ensures that the instruction in progress is completed before vectoring to any service routine.

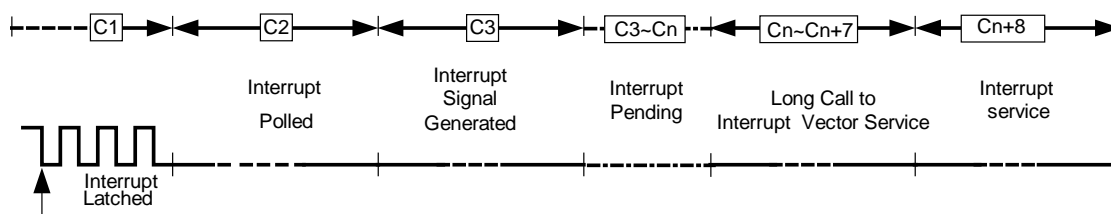
The instruction in progress is RETI. This ensures that if the instruction in progress is RETI then at least one more instruction except RETI will be executed before any interrupt is vectored to; this delay guarantees that the CPU can observe the changes of the interrupt status.

Note:

Since priority change normally needs 2 instructions, it is recommended to disable corresponding Interrupt Enable flag to avoid interrupt between these 2 instructions during the change of priority.

If the flag is no longer active when the blocking condition is removed, the denied interrupt will not be serviced. Every polling cycle interrogates only the valid interrupt requests.

The polling cycle/LCALL sequence is illustrated below:



Interrupt Response Timing

The hardware-generated LCALL pushes the contents of the program counter onto the stack (but it does not save the PSW) and reloads the program counter with corresponding address that depends on the source of the interrupt being vectored to, as shown in Interrupt Summary table.

Interrupt service execution proceeds from that location until the RETI instruction is encountered. The RETI instruction informs the processor that the interrupt routine is no longer in progress, and then pops the top two bytes from the stack and reloads the program counter. Execution of the interrupted program continues from the point where it was stopped. Note that the RETI instruction is very important because it informs the processor that the program left the current interrupt service. A simple RET instruction would also have returned execution to the interrupted program, but it would have left the interrupt control system thinking an interrupt with this priority was still in progress. In this case, no interrupt of the same or lower priority level would be acknowledged.

7.9.8 Interrupt Response Time

If an interrupt is recognized, its request flag is set in every machine cycle after recognize. The value will be polled by the circuitry until the next machine cycle; the CPU will generate an interrupt at the third machine cycle. If the request is active and conditions are right for it to be acknowledged, hardware LCALL to the requested service routine will be the next instruction to be executed. Else the interrupt will pending. The call itself takes 7 machine cycles. Thus a minimum of 3+7 complete machine cycles will elapse between activation and external interrupt request and the beginning of execution of the first instruction of the service routine.

A longer response time would be obtained if the request was blocked by one of the above three previously listed conditions. If an interrupt of equal or higher priority is already in progress, the additional wait time obviously depends on the nature of the other interrupt's service routine.

If the instruction in progress is not in its final cycle and the instruction in progress is RETI, the additional wait time is 8 machine cycles. For a single interrupt system, if the next instruction is 20 machine cycles long (the longest instructions DIV & MUL are 20 machine cycles long for 16 bit operation), adding the LCALL instruction 7 machine cycles the total response time is 2+8+20+7 machine cycles.

Thus interrupt response time is always more than 10 machine cycles and less than 37 machine cycles.



7.9.9 External Interrupt Inputs

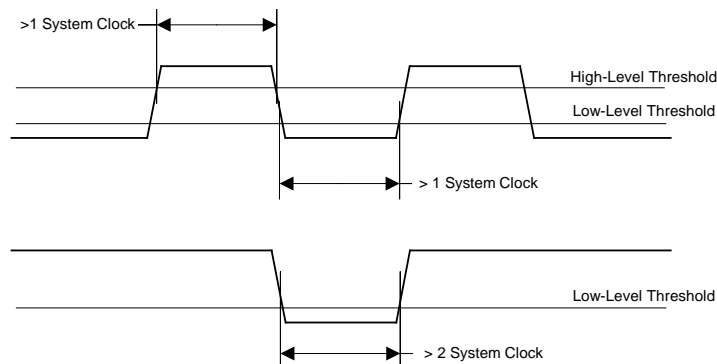
The SH79F1617A has 5 external interrupt inputs. External interrupt0-3 each has one vector address. External interrupt 4 has 8 inputs; all of them share one vector address. These external interrupts can be programmed to be level-triggered or edge-triggered by clearing or setting bit IT1 or IT0 in register TCON and register EXF1. If ITn = 0 (n = 0 - 1), external interrupt 0/1 is triggered by a low level detected at the INT0/1 pin. If ITn = 1 (n = 0 - 1), external interrupt 0/1 is edge triggered. In this mode if consecutive samples of the INT0/1 pin show a high level in one cycle and a low level in the next cycle, interrupt request flag in register r EXF1 is set, causing an interrupt request. Since the external interrupt pins are sampled once each machine cycle, an input high or low level should be held for at least one machine cycle to ensure proper sampling.

If the external interrupt is edge-triggered, the external source has to hold the request pin high for at least one machine cycle, and then hold it low for at least one machine cycle. This is to ensure that the transition is detected and that interrupt request flag is set. Notice that IE0-1 is automatically cleared by CPU when the service routine is called while IF4x should be cleared by software. External interrupt4 operates in the similar ways except have different registers and have more selection of trigger.

If the external interrupt is level-triggered, the external source must hold the request active until the requested interrupt is generated, which will take 2 machine cycles. If the external interrupt is still asserted when the interrupt service routine is completed, another interrupt will be generated. It is not necessary to clear the interrupt flag IEx (x = 0, 1, 2, 3) when the interrupt is level sensitive, it simply tracks the input pin level.

If an external interrupt is enabled when the SH79F1617A is put into Power down or Idle mode, the interrupt occurrence will cause the processor to wake up and resume operation.

Note: IE0-3 is automatically cleared by CPU when the service routine is called while IF40-47 should be cleared by software.



7.9.10 Interrupt Summary

Source	Vector Address	Enable bits	Flag bits	Polling Priority	Interrupt number (c language)
Reset	0000h	-	-	0 (highest)	-
INT0	0003h	EX0	IE0	2	0
Timer0	000Bh	ET0	TF0	3	1
INT1	0013h	EX1	IE1	4	2
Timer1	001Bh	ET1	TF1	5	3
EUART	0023h	ES0	RI+TI	6	4
Timer2	002Bh	ET2	TF2+EXF2	7	5
ADC	0033h	EADC	ADCIF	8	6
SPI	003Bh	ESPI	SPIF	9	7
INT2	0043h	EX2	IE2	10	8
INT3	004Bh	EX3	IE3	11	9
INT4	0053h	EX4+IENC	IF47-40	12	10
PWM	0063h	EPWM+PWM0/1/2IE	PWM0/1/2IF	13	12
SCM	006BH	ESCM	SCMIF	14 (lowest)	13
OVL NMI	007Bh	-	-	1	15



8. Enhanced Function

8.1 PWM (Pulse Width Modulation)

8.1.1 Feature

- Complementary output with dead time control
- Provided interrupt function on period
- Selectable output polarity
- Fault Detect function provided to disable PWM output immediately
- Lock register provided to avoid PWM control register to be unexpected change

The SH79F1617A has one 12-bit PWM module and two 8-bit PWM modules, which can provide the pulse width modulation waveform with the period and the duty being controlled individually by corresponding register.

Also, the PWM module can automatically provide other 3 PWM outputs that have fixed phase relationship with PWM0/1/2.

PWM timer can be turned to inactive state by the input of FLT pin automatically if EFLT is set.

PWM timer also provides 3 interrupts for PWM0/1/2. They share the same entrance vector address while have different control bits and flags. This makes it possible to change period or duty in every PWM period.

Table 8.1 PWM Module Enable Register

CFH	Bit7	Bit6	Bit5	Bit4	Bit3	Bit2	Bit1	Bit0
PWMEN	-	EFLT	EPWM21	EPWM11	EPWM01	EPWM2	EPWM1	EPWM0
R/W	-	R/W	R/W	R/W	R/W	R/W	R/W	R/W
Reset Value (POR/WDT/LVR/PIN)	-	0	0	0	0	0	0	0

Bit Number	Bit Mnemonic	Description
6	EFLT	FLT pin configuration 0: general purpose I/O or \overline{SS} pin (default) 1: PWM Fault Detect input pin
5	EPWM21	PWM21 output enable 0: I/O port (default) 1: PWM output
4	EPWM11	PWM11 output enable 0: I/O port (default) 1: PWM output
3	EPWM01	PWM01 output enable 0: I/O port (default) 1: PWM output
2	EPWM2	Enable 8-bit PWM2 0: I/O port (default) 1: PWM output
1	EPWM1	Enable 8-bit PWM1 0: I/O port (default) 1: PWM output
0	EPWM0	Enable 12-bit PWM0 0: I/O port (default) 1: PWM output

PWM output will be disable at the same time when the PWM Enable register is clear to 0.

The main purpose of the FLT pin is to inactivate the PWM output signals and drive them into an inactive state. The action of the FLT is performed directly in hardware so that when a fault occurs, it can be managed quickly and the PWMs outputs are put into an inactive state to save the power devices connected to the PWMs. The FLT pin has no internal pull-high resistor.

If EFLT is set to 0, it means the level on FLT pin has no effect on PWM timers.



PWM Timer Lock Register

This register is used to control the change of PWM timer enable register, PWM control register, PWM period register, PWM duty register and PWM dead time control register. Only when the data in this register is #55h, it is possible to change these register. Otherwise they cannot be changed.

This register is to enhance the anti-noise ability of SH79F1617A.

Table 8.2 PWM Timer Lock Register

E7H	Bit7	Bit6	Bit5	Bit4	Bit3	Bit2	Bit1	Bit0
PWMLO	PWMLO.7	PWMLO.6	PWMLO.5	PWMLO.4	PWMLO.3	PWMLO.2	PWMLO.1	PWMLO.0
R/W	R/W	R/W	R/W	R/W	R/W	R/W	R/W	R/W
Reset Value (POR/WDT/LVR/PIN)	0	0	0	0	0	0	0	0

Bit Number	Bit Mnemonic	Description
7-0	PWMLO[7:0]	PWM lock register: 55h: enable to change PWM related registers else: disable to change PWM related registers

8.1.2 12-bit PWM Timer

The SH79F1617A has one 12-bit PWM module. The PWM module can provide the pulse width modulation waveform with the period and the duty being controlled, individually. The PWMC is used to control the PWM module operation with proper clocks. The PWMP is used to control the period cycle of the PWM module output. PWMD is used to control the duty in the waveform of the PWM module output.

It is acceptable to change these 3 registers during PWM output Enable. All the change will take affect at the next PWM period.

Table 8.3 12-bit PWM Control Register

D2H	Bit7	Bit6	Bit5	Bit4	Bit3	Bit2	Bit1	Bit0
PWM0C	PWM0IE	PWM0IF	-	FLTS	FLTC	PWM0S	TnCK01	TnCK00
R/W	R/W	R/W	-	R/W	R/W	R/W	R/W	R/W
Reset Value (POR/WDT/LVR/PIN)	0	0	-	0	0	0	0	0

Bit Number	Bit Mnemonic	Description
7	PWM0IE	PWM0 interrupt enable bit (When EPWM bit in IEN1 is set) 0: Disable PWM0 interrupt 1: Enable PWM0 interrupt
6	PWM0IF	PWM0 interrupt flag 0: Clear by software. 1: Set by hardware to indicate that the PWM0 period counter overflow
4	FLTS	FLT status bit 0: PWM is in normal status, cleared by software 1: PWM is in inactive status, set automatically by hardware
3	FLTC	FLT pin configuration 0: Inactivate the PWM output when FLT is low level 1: Inactivate the PWM output when FLT is high level
2	PWM0S	PWM0 output normal mode of duty cycle 0: high active 1: low active
1-0	TnCK0[1:0]	12-bit PWM clock selector 00: Oscillator clock/2 01: Oscillator/4 10: Oscillator/8 11: Oscillator/16



Note:

- (1) FLTS and FLTC bit in PWM0C register are effect on all PWM timers while PWMS, TnCK [1:0] in PWM0C register are effect only on PWM0 which is a 12-bit PWM timer.
- (2) Inactivate PWM here means PWM0/1/2 and PWM01/11/21 outputs keep Low (if PWMS = 0) or High (if PWMS = 1).
- (3) The PWM outputs will remain in the inactive states as soon as the high/low level of FLT pin is detected.
- (4) Clearing FLTS bit when a FAULT input is coming will not success.

Table 8.4 PWM Period Control Register (PWM0PL)

D3H	Bit7	Bit6	Bit5	Bit4	Bit3	Bit2	Bit1	Bit0
PWM0PL	PP0.7	PP0.6	PP0.5	PP0.4	PP0.3	PP0.2	PP0.1	PP0.0
R/W	R/W	R/W	R/W	R/W	R/W	R/W	R/W	R/W
Reset Value (POR/WDT/LVR/PIN)	0	0	0	0	0	0	0	0

Bit Number	Bit Mnemonic	Description
7-0	PP0[7:0]	12-bit PWM period low 8 nibble registers

Table 8.5 PWM Period Control Register (PWM0PH)

D4H	Bit7	Bit6	Bit5	Bit4	Bit3	Bit2	Bit1	Bit0
PWM0PH	-	-	-	-	PP0.11	PP0.10	PP0.9	PP0.8
R/W	-	-	-	-	R/W	R/W	R/W	R/W
Reset Value (POR/WDT/LVR/PIN)	-	-	-	-	0	0	0	0

Bit Number	Bit Mnemonic	Description
3-0	PP0[11:8]	12-bit PWM period high 4 nibble registers

PWM output period cycle = [PP0.11, PP0.0] X PWM clock.

When [PP0.11, PP0.0] = 000H, PWM0 outputs GND if the PWM0S bit is set to “0” regardless of PWM duty cycle.

When [PP0.11, PP0.0] = 000H, PWM0 outputs high level if the PWM0S bit is set to “1” regardless of PWM duty cycle.

Table 8.6 PWM Duty Control Register (PWM0DL)

D5H	Bit7	Bit6	Bit5	Bit4	Bit3	Bit2	Bit1	Bit0
PWM0DL	PD0.7	PD0.6	PD0.5	PD0.4	PD0.3	PD0.2	PD0.1	PD0.0
R/W	R/W	R/W	R/W	R/W	R/W	R/W	R/W	R/W
Reset Value (POR/WDT/LVR/PIN)	0	0	0	0	0	0	0	0

Bit Number	Bit Mnemonic	Description
7-0	PD0[7:0]	12-bit PWM duty low 8 nibble registers



Table 8.7 PWM Duty Control Register (PWM0DH)

D6H	Bit7	Bit6	Bit5	Bit4	Bit3	Bit2	Bit1	Bit0
PWM0DH	-	-	-	-	PD0.11	PD0.10	PD0.9	PD0.8
R/W	-	-	-	-	R/W	R/W	R/W	R/W
Reset Value (POR/WDT/LVR/PIN)	-	-	-	-	0	0	0	0

Bit Number	Bit Mnemonic	Description
3-0	PD0[11:8]	12-bit PWM duty high 4 nibble registers

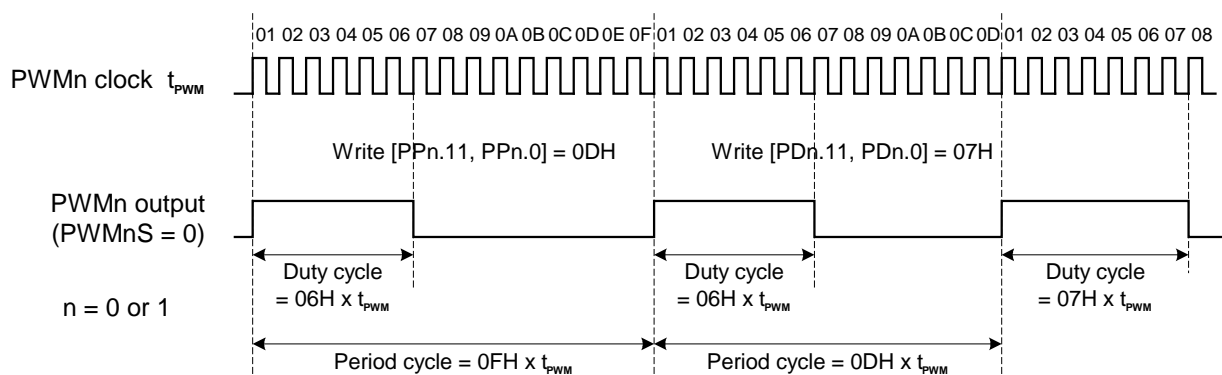
PWM output duty cycle = [PD0.11, PD0.0] X PWM clock.

If [PP0.11, PP0.0] ≤ [PD0.11, PD0.0], PWM0 outputs high level when the PWMS bit is set to “0”.

If [PP0.11, PP0.0] > [PD0.11, PD0.0], PWM0 outputs GND level when the PWMS bit is set to “1”.

Programming Note:

- (1) Set PWML0 register to 55H and select the PWM module system clock.
- (2) Set the PWM period/duty cycle by writing proper value to the PWM period control register (PWMP) or PWM duty control register (PWMD). First set the low Byte, then the high Byte.
- (3) Select the PWM output mode of the duty cycle by writing the PWMS bit in the PWM control register (PWMC).
- (4) In order to output the desired PWM waveform, enable the PWM module by writing “1” to the EPWM bit in the PWM control register (PWMC).
- (5) If the PWM period cycle or duty cycle is to be changed, the writing flow should be followed as described in step b or step c. Then the revised data are loaded into the re-load counter and the PWM module starts counting at next period.
- (6) Change the data in PWML0 register not equal to 55h in order to enhance the anti-noise ability.



PWM output Period or Duty cycle changing example



8.1.3 8-bit PWM Timer

The SH79F1617A also has two 8-bit PWM modules. The PWM modules can provide the pulse width modulation waveform with the period and the duty being controlled, individually. The PWM1/2 C is used to control the PWM1/2 module operation with proper clocks. The PWMP1/2 is used to control the period cycle of the PWM1/2 module output. And the PWMD1/2 is used to control the duty in the waveform of the PWM1/2 module output.

Table 8.8 8-bit PWM Control Register1 (PWM1C)

D9H	Bit7	Bit6	Bit5	Bit4	Bit3	Bit2	Bit1	Bit0
PWM1C	PWM1IE	PWM1IF	-	-	-	PWM1S	TnCK11	TnCK10
R/W	R/W	R/W	-	-	-	R/W	R/W	R/W
Reset Value (POR/WDT/LVR/PIN)	0	0	-	-	-	0	0	0

Bit Number	Bit Mnemonic	Description
7	PWM1IE	PWM1 interrupt enable bit (When EPWM bit in IEN1 is set) 0: disable PWM1 interrupt 1: enable PWM1 interrupt
6	PWM1IF	PWM1 interrupt flag 0: Clear by software 1: Set by hardware to indicate that the PWM1 period counter overflow
2	PWM1S	8-bit PWM1 output normal mode of duty cycle 0: high active, PWM1 output high during duty time, output low during remain period time 1: low active, PWM1 output low during duty time, output high during remain period time
1-0	TnCK1[1:0]	8-bit PWM1 clock selector 00: Oscillator clock/2 01: Oscillator clock/4 10: Oscillator clock/8 11: Oscillator clock/16



Table 8.9 8-bit PWM Control Register2 (PWM2C)

DDH	Bit7	Bit6	Bit5	Bit4	Bit3	Bit2	Bit1	Bit0
PWM2C	PWM2IE	PWM2IF	-	-	-	PWM2S	TnCK21	TnCK20
R/W	R/W	R/W	-	-	-	R/W	R/W	R/W
Reset Value (POR/WDT/LVR/PIN)	0	0	-	-	-	0	0	0

Bit Number	Bit Mnemonic	Description
7	PWM2IE	PWM2 interrupt enable bit (When EPWM bit in IEN1 is set) 0: disable PWM2 interrupt 1: enable PWM2 interrupt
6	PWM2IF	PWM2 interrupt flag 0: Clear by software 1: Set by hardware to indicate that the PWM2 period counter overflow
2	PWM2S	8-bit PWM2 output normal mode of duty cycle 0: high active, PWM2 output high during duty time, output low during remain period time 1: low active, PWM2 output low during duty time, output high during remain period time
1-0	TnCK2[1:0]	8-bit PWM clock selector 00: Oscillator clock/2 (Default) 01: Oscillator clock/4 10: Oscillator clock/8 11: Oscillator clock/16

Table 8.10 PWM Period Control Register1 (PWM1P)

DAH	Bit7	Bit6	Bit5	Bit4	Bit3	Bit2	Bit1	Bit0
PWM1P	PP1.7	PP1.6	PP1.5	PP1.4	PP1.3	PP1.2	PP1.1	PP1.0
R/W	R/W	R/W	R/W	R/W	R/W	R/W	R/W	R/W
Reset Value (POR/WDT/LVR/PIN)	0	0	0	0	0	0	0	0

Bit Number	Bit Mnemonic	Description
7-0	PP1[7:0]	8-bit PWM1 period register

Table 8.11 PWM Period Control Register2 (PWM2P)

DEH	Bit7	Bit6	Bit5	Bit4	Bit3	Bit2	Bit1	Bit0
PWM2P	PP2.7	PP2.6	PP2.5	PP2.4	PP2.3	PP2.2	PP2.1	PP2.0
R/W	R/W	R/W	R/W	R/W	R/W	R/W	R/W	R/W
Reset Value (POR/WDT/LVR/PIN)	0	0	0	0	0	0	0	0

Bit Number	Bit Mnemonic	Description
7-0	PP2[7:0]	8-bit PWM period register

PWM output period cycle = [PPx.7, PPx.0] X PWM clock. x = 1, 2

When [PPx.7, PPx.0] = 000H, PWM1/2 outputs GND if the PWMxS bit is set to “0” regardless of PWM duty cycle.

When [PPx.7, PPx.0] = 000H, PWM1/2 outputs high level if the PWMxS bit is set to “1” regardless of PWM duty cycle.



Table 8.12 PWM Duty Control Register1 (PWM1D)

DBH	Bit7	Bit6	Bit5	Bit4	Bit3	Bit2	Bit1	Bit0
PWM1D	PD1.7	PD1.6	PD1.5	PD1.4	PD1.3	PD1.2	PD1.1	PD1.0
R/W	R/W	R/W	R/W	R/W	R/W	R/W	R/W	R/W
Reset Value (POR/WDT/LVR/PIN)	0	0	0	0	0	0	0	0

Bit Number	Bit Mnemonic	Description
7-0	PD1[7:0]	8-bit PWM duty register

Table 8.13 PWM Duty Control Register2 (PWM2D)

DFH	Bit7	Bit6	Bit5	Bit4	Bit3	Bit2	Bit1	Bit0
PWM2D	PD2.7	PD2.6	PD2.5	PD2.4	PD2.3	PD2.2	PD2.1	PD2.0
R/W	R/W	R/W	R/W	R/W	R/W	R/W	R/W	R/W
Reset Value (POR/WDT/LVR/PIN)	0	0	0	0	0	0	0	0

Bit Number	Bit Mnemonic	Description
7-0	PD2[7:0]	8-bit PWM duty register

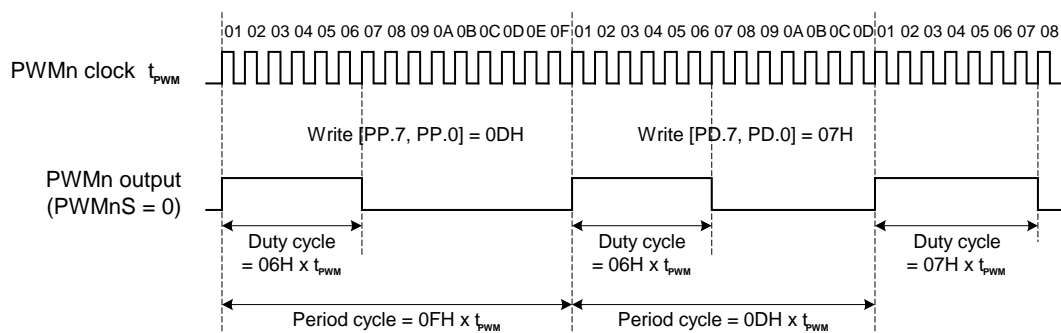
PWM output duty cycle = [PDx.7, PDx.0] X PWM clock. x = 1, 2

If [PPx.7, PPx.0] ≤ [PDx.7, PDx.0], PWM1/2 outputs high level when the PWM1/2S bit is set to "0".

If [PPx.7, PPx.0] > [PDx.7, PDx.0], PWM1/2 outputs GND level when the PWM1/2S bit is set to "1".

Programming Note:

- Set PWML0 register to 55H and select the PWM module system clock.
- Set the PWM period/duty cycle by writing proper value to the PWM period control register (PWMP) and PWM duty control register (PWMD).
- Select the PWM output mode of the duty cycle by writing the PWMS bit in the PWM control register (PWMC).
- To output the desired PWM waveform, enable the PWM module by writing "1" to the EPWM bit in the PWM control register (PWMC).
- If the PWM period cycle or duty cycle is to be changed, the writing flow should be followed as described in step b or step c. Then the revised data are loaded into the re-load counter and the PWM module starts counting at next period. When PWMS or TnCK0/1 changed, it will be effect at next period.
- Change the data in PWML0 register not equal to 55h in order to enhance the anti-noise ability.

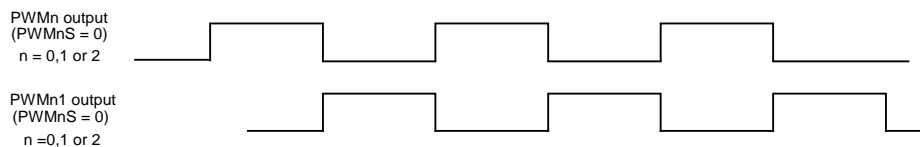


PWM output Period or Duty cycle changing example



8.1.4 PWM01/11/21

Generally, PWM01/11/21 have a 180° phase delay with PWM0/1/2 as shown below when there is no dead time inserted. It is automatically generated by hardware when EPWM01/11/21 in PWM timer enable register is set.

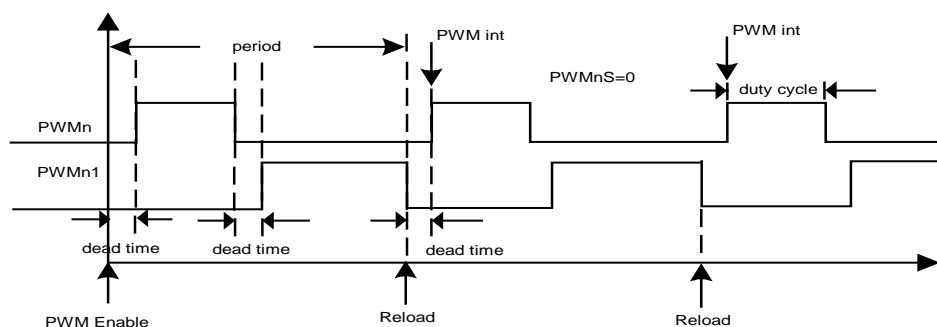


Note:

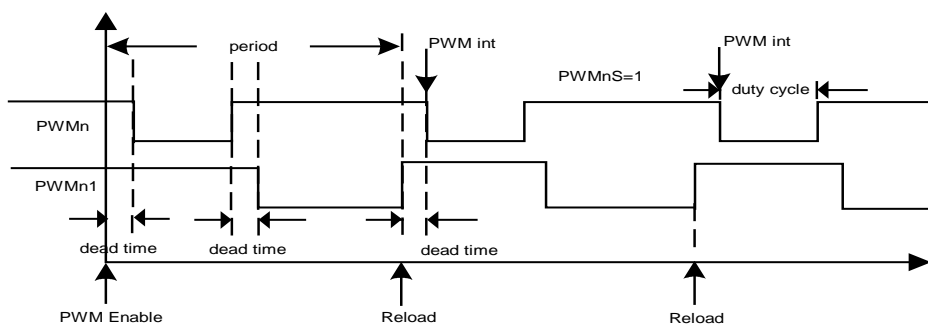
- (1) That even if PWM0/1/2 are not enabled, PWM01/11/21 can also work if enabled.
- (2) If EFLT is set, When a valid event occurs on FLT pin, PWM01/11/21 and PWM0/1/2 are both LOW (PWMnS = 0) or both HIGH (PWMnS = 1).

8.1.5 Dead Time

The SH79F1617A provides dead time control function on-chip. When PWMnS = 0 (n = 0, 1, 2), the dead time is generated as below.



When PWMnS = 1 (n = 0, 1, 2), the dead time is generated as below.



By writing PWM01/11/21 dead time control registers, a dead time can be generated between PWM0/1/2 and PWM01/11/21. PWM01/11/21 have the same period as PWM0/1/2.

Note:

- (1) Dead time0/1/2 must be set before PWM outputs enabled. Otherwise, dead time will not change. So in order to change dead time, please disable PWM outputs first (while PWMLO is #55h), then change the dead time, and enable PWM. Finally, change the data in PWMLO not equal to #55h in order to make sure the PWM registers would not be changed by noise.
- (2) In order to generate dead time, please make sure that (PWMx Period - PWMx Duty) > 2 * PWMx1 (x = 0, 1, 2) dead time control. Otherwise the output of PWM01/11/21 is high level when PWMS = 1 or GND when PWMS = 0.
- (3) PWMDT is to used to control Dead Time, the step value is fixed oscillator clock time, but period and duty step value is refer to TnCKx[1:0] (x = 0, 1, 2). 2 oscillator clocks at least.



Table 8.14 PWM0 Dead Time Control Register

D1H	Bit7	Bit6	Bit5	Bit4	Bit3	Bit2	Bit1	Bit0
PWM0DT	DT0.7	DT0.6	DT0.5	DT0.4	DT0.3	DT0.2	DT0.1	DT0.0
R/W	R/W	R/W	R/W	R/W	R/W	R/W	R/W	R/W
Reset Value (POR/WDT/LVR/PIN)	0	0	0	0	0	0	0	0

Bit Number	Bit Mnemonic	Description
7-0	DT0[7:0]	12-bit PWM0 dead time control the dead time period = (DT0.7 - DT0.0) X t _{osc}

Table 8.15 PWM1 Dead Time Control Register

D7H	Bit7	Bit6	Bit5	Bit4	Bit3	Bit2	Bit1	Bit0
PWM1DT	DT1.7	DT1.6	DT1.5	DT1.4	DT1.3	DT1.2	DT1.1	DT1.0
R/W	R/W	R/W	R/W	R/W	R/W	R/W	R/W	R/W
Reset Value (POR/WDT/LVR/PIN)	0	0	0	0	0	0	0	0

Bit Number	Bit Mnemonic	Description
7-0	DT1[7:0]	8-bit PWM1 dead time control the dead time period is (DT1.7 - DT1.0) X t _{osc}

Table 8.16 PWM2 Dead Time Control Register

DCH	Bit7	Bit6	Bit5	Bit4	Bit3	Bit2	Bit1	Bit0
PWM2DT	DT2.7	DT2.6	DT2.5	DT2.4	DT2.3	DT2.2	DT2.1	DT2.0
R/W	R/W	R/W	R/W	R/W	R/W	R/W	R/W	R/W
Reset Value (POR/WDT/LVR/PIN)	0	0	0	0	0	0	0	0

Bit Number	Bit Mnemonic	Description
7-0	DT2[7:0]	8-bit PWM2 dead time control the dead time period is (DT2.7 - DT2.0) X t _{osc}



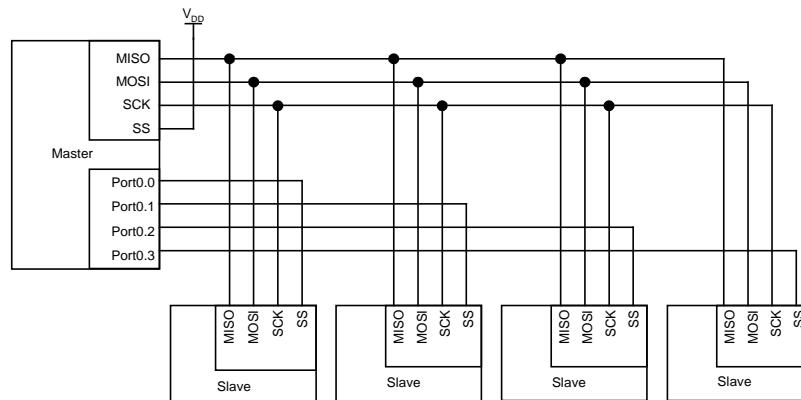
8.2 Serial Peripheral Interface (SPI)

8.2.1 Features

- Full-duplex, three-wire synchronous transfers
- Master or slave operation
- Six programmable master clock rates
- Serial clock with programmable polarity and phase
- Master mode fault error flag with MCU interrupt capability
- Write collision flag protection
- Selectable LSB or MSB transfer

The Serial Peripheral Interface (SPI) Module allows full-duplex, synchronous, serial communication between the MCU and peripheral devices, including other MCUs.

The following diagram shows a typical SPI bus configuration using one master controller and many slave peripherals. The bus is made of three wires connecting all the devices. The master device selects the individual slave devices by using four pins of a parallel port to control the four SS pins of the Slave devices.



8.2.2 Signal Description

Master Output Slave Input (MOSI)

This 1-bit signal is directly connected between the master device and slave devices. The MOSI line is used to transfer data in series from the master to the slave. Therefore, it is an output signal from the master, and an input signal to a slave.

Master Input Slave Output (MISO)

This 1-bit signal is directly connected between the slave devices and master device. The MISO line is used to transfer data in series from the slave to the master. Therefore, it is an output signal from the slave, and an input signal to the master. The MISO pin is placed in a high-impedance state when the SPI operates as a slave that is not selected (\overline{SS} high).

A static high level on the \overline{SS} pin puts the MISO line of a slave in a high-impedance state.

SPI Serial Clock (SCK)

This signal is used to synchronize the data movement both in and out of the devices through their MOSI and MISO lines. It is driven by the master for eight clock cycles, which allows exchanging one byte on the serial lines. The SCK signal is ignored by a SPI slave when the slave is not selected (\overline{SS} high).

Slave Select (\overline{SS})

Each slave peripheral is selected by one slave select pin (\overline{SS}). This signal must stay low for any active slave. It is obvious that only one master (\overline{SS} high) can drive the network. The master may select each slave device by software through port pins. To prevent bus conflicts on the MISO line, only one slave should be selected at a time by the master for a transmission. In a master configuration, the \overline{SS} line can be used in conjunction with the MODF flag in the SPI status register to prevent multiple masters from driving MOSI and SCK.

The \overline{SS} pin could be used as a general IO if the following conditions are met:

- (1) The device is configured as a master and the SSDIS control bit in SPCON is set. This kind of configuration can happen when only one master is driving the network. Therefore, the MODF flag in the SPSTA will never be set.
- (2) The device is configured as a slave with CPHA and SSDIS control bits set. This kind of configuration can happen when the network comprises only one master and one slave only. Therefore, the device should always be selected and the master will never use the slave's \overline{SS} pin to select the target communication slave.

Note: When $CPHA = '0'$, a falling edge of \overline{SS} pin is used to start the transmission.

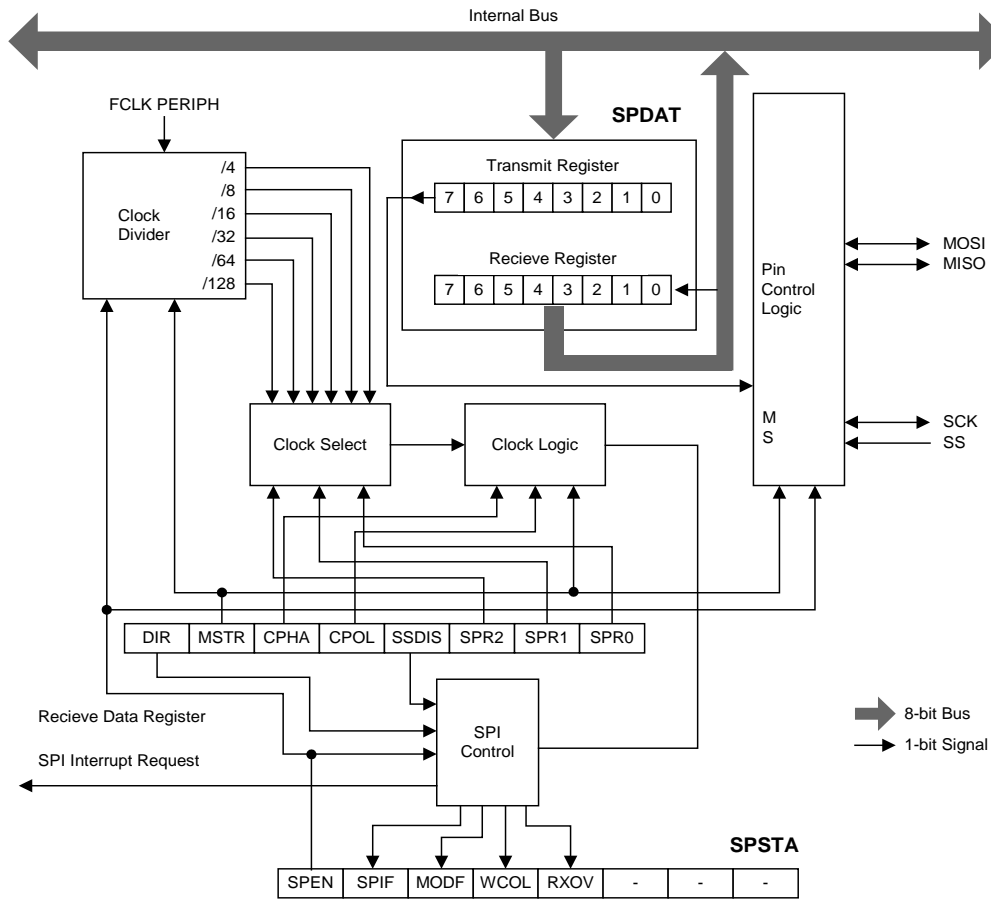


8.2.3 Baud Rate

In master mode, the baud rate is chosen from one of the six clock rates by the division of the internal clock by 4, 8, 16, 32, 64 or 128 set by the three bits SPR[2:0] in the SPCON register.

8.2.4 Functional Description

The following diagram shows a detailed structure of the SPI module.



SPI Module Block Diagram

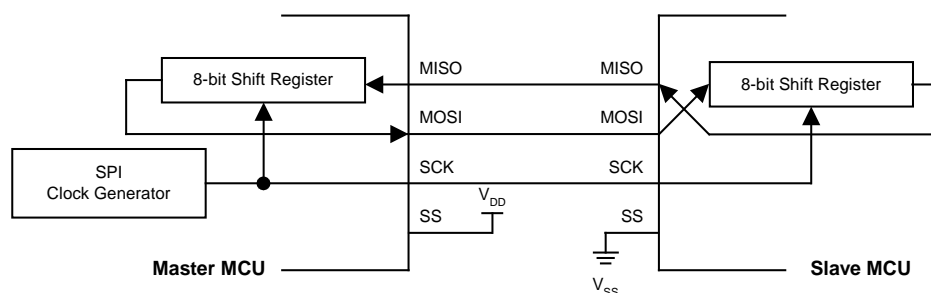


8.2.5 Operating Modes

The Serial Peripheral Interface can be configured as one of the two modes, master mode or slave mode. The configuration and initialization of the SPI module is made through SPCON (the serial peripheral control register) and SPSTA (the serial peripheral status register). Once the SPI is configured, the data exchange is made using SPCON, SPSTA and SPDAT (the serial peripheral data register)

During an SPI transmission, data is simultaneously transmitted (shifted out serially) and received (shifted in serially). A serial clock line (SCK) synchronizes shifting and sampling on the two serial data lines (MOSI and MISO). A slave select line (\overline{SS}) allows individual selection of a SPI slave; SPI slaves that are not selected do not interfere with SPI bus activities.

When the SPI master transmits data to the SPI slave via the MOSI line, the SPI slave responds by sending data to the SPI master via the MISO line. This implies full-duplex transmission with both data out and data in synchronized with the same clock. Both transmit shift register and receive shift register uses the same SFR Address, a write operation to SPDAT will write to the transmit shift register, and a read operation from SPDAT will retrieve the data in receive shift register.



Full-Duplex Master-Slave Interconnection Diagram

Master Mode

(1) Enable

A SPI master device initiates all data transfers on a SPI bus. The SPI operates in master mode when the MSTR is set in SPCON register. Only one master can initiate transmission.

(2) Transmit

When in SPI master mode, writing a byte of data to the SPI data register (SPDAT) will write to the transmit shift buffer. If the transmit shift register already contains data, the SPI master will generate a WCOL signal to indicate writing too fast. But the data in transmit shift register will not be affected, and the transmission continues uninterrupted. Else if the transmit shift register is empty, the SPI master will immediately shifts out the data serially on the MOSI line while providing the serial clock on SCK. The SPIF flag in SPSTA register is set to logic '1' at the end of the transfer. If interrupts are enabled, an interrupt request is generated when the SPIF flag is set.

(3) Receive

While the master transfers data to a slave on the MOSI line, the addressed slave simultaneously transfers the contents of its transmit shift register to the master's receive shift register on the MISO line in a full-duplex operation. Therefore, the SPIF flag serves as both a transmit-complete and receive-data-ready flag. The data byte received from the slave is transferred MSB-first or LSB-first into the master's shift register. When a byte is fully shifted into the register, it is moved to the receive buffer where it can be read by the processor by reading SPDAT. If an overrun occurs, RXOV signal will be set to indicate data over-run occurs, and the receive shift register keep the byte that SPIF was lastly set, also the SPI master will not receive any further data until SPIF was cleared.



Slave Mode

(1) Enable

The SPI operates in slave mode when the MSTR is cleared in the SPCON register. Before a data transmission occurs, the slave select (SS) pin of the Slave device must be set to '0'. The SS pin must remain low until the 1-byte transmission is complete.

(2) Transmit & Receive

When in SPI slave mode, bytes are shifted in through the MOSI pin and out through the MISO pin by a master device controlling the SCK signal. A bit counter counts SCK edges. When 8 bits have been shifted in the receive shift register and another 8 bits have been shifted out the transmit shift register, the SPIF flag is set to logic '1'. Data is read from the receive shift register by reading SPDAT. If interrupts are enabled, an interrupt request is generated when the SPIF flag is set.

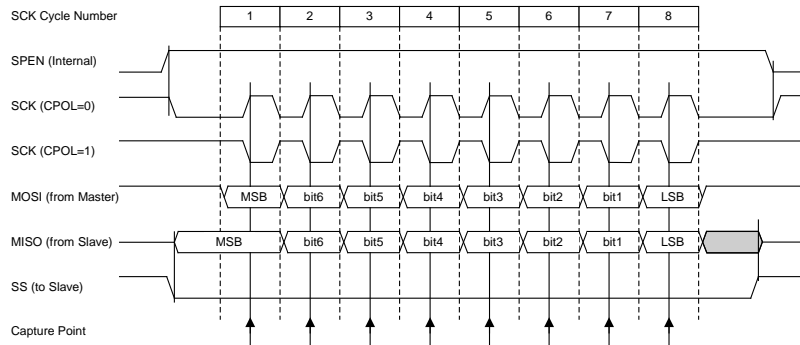
To prevent an overflow condition, the SPI slave software must clear the **SPIF bit in SPSTA register** before another byte enters the receive shift register. Else a RXOV signal will be set to indicate data over-run occurs, and the receive shift register keep the byte that SPIF was lastly set, also the SPI slave will not receive any further data until SPIF was cleared.

A SPI slave cannot initiate transfers. Data to be transferred to the master device is pre-loaded into the shift register by writing to SPDAT. Writes to SPDAT are placed in the transmit buffer first. So a SPI slave must complete the write to the SPDAT (transmit shift register) in one SPI clock before the master starts a new transmission. If the write to SPDAT is late in the first transmission, the SPI slave will transmit a '0x00' byte in the following transmission. If the write operation occurs during this time, a WCOL signal will be set. If the transmit shift register already contains data, the SPI slave will generate a WCOL signal to indicate writing too fast. But the data in transmit shift register will not be affected, and the transmission continues uninterrupted.



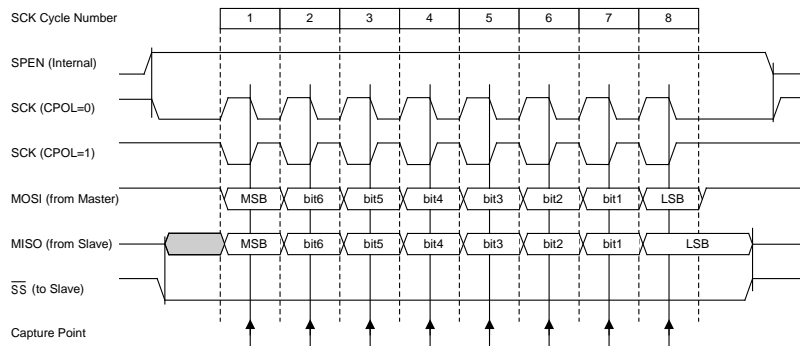
8.2.6 Transmission Formats

Software can select any of four combinations of serial clock (SCK) phase and polarity using two bits in the SPCON, the clock polarity CPOL and the clock phase CPHA. CPOL defines the default SCK line level in idle state. It has no significant effect on the transmission format. CPHA defines the edges on which the input data are sampled and the edges on which the output data are shifted. The clock phase and polarity should be identical for the master and the communicating slave.



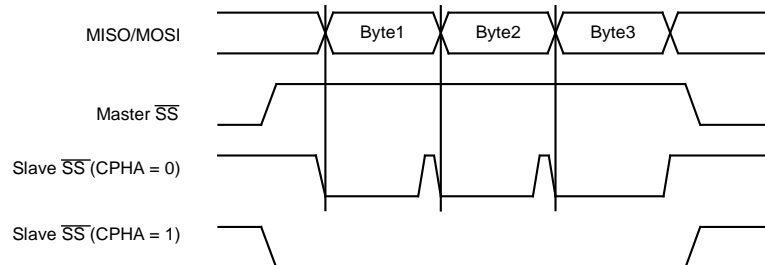
Data Transmission Format (CPHA = 0)

If CPHA = 0, the first SCK edge is the capture strobe. Therefore the slave must begin driving its data before the first SCK edge, and a falling edge on the \overline{SS} pin is used to start the transmission. The \overline{SS} pin must be toggled high and then low between each byte transmitted. So SSDIS bit is invalid when CPHA = 0.



Data Transmission Format (CPHA = 1)

If CPHA = 1, the master begins driving its MOSI pin on the first SCK edge. Therefore the slave uses the first SCK edge as a start transmission signal. So the user must put the SPDAT before the second edge of the first SCK. The \overline{SS} pin can remain low between transmissions. This format may be preferred in systems with only one master and only one slave.



CPHA/SS Timing

Note: Before SPI is configured as Slave mode and CPOL bit in SPCON is cleared, the P2.4SCK pin must be set to input mode and enable pull-high resistor before SPEN bit in SPSTA is set to logic '1'.



8.2.7 Error Conditions

The following flags in the SPSTA signal SPI error conditions:

(1) Mode Fault (MODF)

Mode fault error in master mode SPI indicates that the level on the \overline{SS} pin is inconsistent with the actual mode of the device. MODF is set to warn that there may be a multi-master conflict for system control. In this case, the SPI system is affected in the following ways:

- An SPI receiver/error CPU interrupt request is generated;
- The SPEN bit in SPSTA is cleared. This disables the SPI;
- The MSTR bit in SPCON is cleared.

When \overline{SS} Disable (SSDIS bit in the SPCON register) is cleared, the MODF flag is set when the \overline{SS} signal becomes '0'. However, as stated before, for a system with one Master, if the \overline{SS} pin of the master device is pulled low, there is no way that another master attempts to drive the network. In this case, to prevent the MODF flag from being set, software can set the SSDIS bit in the SPCON register and therefore making the \overline{SS} pin as a general-purpose I/O pin.

The user must clear the MODF bit by software, and enable SPEN in SPCON register again for further communication, and enable MSTR bit to continue master mode.

(2) Write Collision (WCOL)

A write collision (WCOL) flag in the SPSTA is set when a write to the SPDAT register is done during a transmit sequence. WCOL does not cause an interruption, and the transfer continues uninterrupted. The WCOL bit is cleared by software.

(3) Overrun Condition (RXOV)

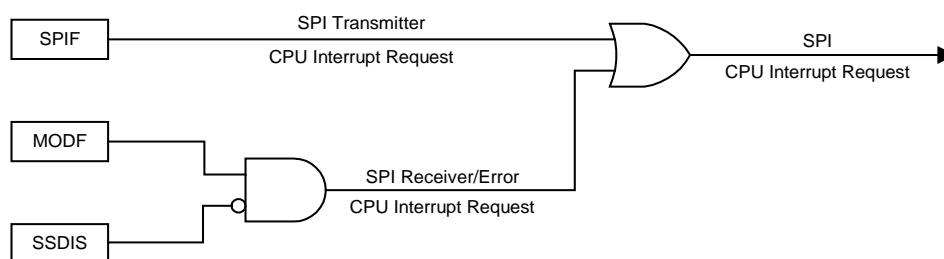
An overrun condition occurs when the master or slave tries to send several data bytes and the slave or master has not cleared the SPIF bit issuing from the previous data byte transmitted. In this case, the receive shift register keep the byte that SPIF was lastly set, also the SPI device will not receive any further data until SPIF was cleared. The SPIF still keep on invoke interrupt before it is cleared, though the transmission can still be driven by SCK. RXOV does not generate an interruption, the RXOV bit is cleared by software.

8.2.8 Interrupts

Two SPI status flags can generate a CPU interrupt requests SPIF & MODF.

Serial Peripheral data transfer flag: SPIF. This bit is set by hardware when a transfer has been completed.

Mode Fault flag: MODF. This bit becomes set to indicate that the level on the \overline{SS} pin is inconsistent with the mode of the SPI. MODF with SSDIS reset will generate receiver/error CPU interrupt requests. When SSDIS is set, no MODF interrupt request is generated.



SPI Interrupt Requests Generation



8.2.9 Registers

Table 8.17 Serial Peripheral Control Register

A2H	Bit7	Bit6	Bit5	Bit4	Bit3	Bit2	Bit1	Bit0
SPCON	DIR	MSTR	CPHA	CPOL	SSDIS	SPR2	SPR1	SPR0
R/W	R/W	R/W	R/W	R/W	R/W	R/W	R/W	R/W
Reset Value (POR/WDT/LVR/PIN)	0	0	0	0	0	0	0	0

Bit Number	Bit Mnemonic	Description
7	DIR	Transfer Direction Selection 0: MSB first 1: LSB first
6	MSTR	Serial Peripheral Master 0: Configure the SPI as a Slave 1: Configure the SPI as a Master
5	CPHA	Clock Phase 0: Data sampled on first edge of SCK period 1: Data sampled on second edge of SCK period
4	CPOL	Clock Polarity 0: SCK line low in idle state 1: SCK line high in idle state
3	SSDIS	SS Disable 0: Enable \overline{SS} pin in both Master and Slave modes 1: Disable \overline{SS} pin in both master and slave modes MODF interrupt request will not generate, if SSDIS is set In Slave mode, this bit has no effect if CPHA = 0
2-0	SPR[2:0]	Serial Peripheral Clock Rate 000: $f_{SYS}/4$ 001: $f_{SYS}/8$ 010: $f_{SYS}/16$ 011: $f_{SYS}/32$ 100: $f_{SYS}/64$ Others: $f_{SYS}/128$



Table 8.18 Serial Peripheral Status Register

F8H	Bit7	Bit6	Bit5	Bit4	Bit3	Bit2	Bit1	Bit0
SPSTA	SPEN	SPIF	MODF	WCOL	RXOV	-	-	-
R/W	R/W	R/W	R/W	R/W	R/W	-	-	-
Reset Value (POR/WDT/LVR/PIN)	0	0	0	0	0	-	-	-

Bit Number	Bit Mnemonic	Description
7	SPEN	SPI Enable 0: Disable the SPI interface 1: Enable the SPI interface
6	SPIF	Serial Peripheral data transfer flag 0: Clear by software 1: Set by hardware to indicate that the data transfer has been completed
5	MODF	Mode Fault 0: Cleared by software 1: Set by hardware to indicate that the \overline{SS} pin is at inappropriate logic level
4	WCOL	Write Collision flag 0: Cleared by software to indicate write collision has been processed 1: Set by hardware to indicate that a collision has been detected
3	RXOV	Receive Overrun 0: Cleared by software to indicate receive overrun has been processed 1: Set by hardware to indicate that a receive overrun has been detected

Table 8.19 Serial Peripheral Data Register

A3H	Bit7	Bit6	Bit5	Bit4	Bit3	Bit2	Bit1	Bit0
SPDAT	SPDAT7	SPDAT6	SPDAT5	SPDAT4	SPDAT3	SPDAT2	SPDAT1	SPDAT0
R/W	R/W	R/W	R/W	R/W	R/W	R/W	R/W	R/W
Reset Value (POR/WDT/LVR/PIN)	0	0	0	0	0	0	0	0

Bit Number	Bit Mnemonic	Description
7-0	SPDAT[7:0]	A write to SPDAT places data directly into the transfer shift register. A Read of the SPDAT returns the value located in the receive shift register.

Note: when SPI is disabled, the data of SPDAT is invalid.



8.3 EUART

8.3.1 Feature

- The SH79F1617A has one enhanced EUART which are compatible with the conventional 8051
- The baud rate can be selected from the divided clock of the system clock, or Timer1/2 overflow rate
- Enhancements over the standard 8051 the EUART include Framing Error detection and automatic address recognition
- The EUART can be operated in four modes

8.3.2 EUART Mode Description

The EUART can be operated in 4 modes. Users must initialize the SCON before any communication can take place. This involves selection of the Mode and the baud rate. The Timer1/2 should also be initialized if the mode 1 or the mode 3 is used. In all of the 4 modes, transmission is initiated by any instruction that uses SBUF as a destination register. Reception is initiated in Mode 0 by the condition RI = 0 and REN = 1. This will generate a clock on the TxD pin and shift in 8 bits on the RxD pin. Reception is initiated in the other modes by the incoming start bit if RI = 0 and REN = 1. The external transmitter will start the communication by transmitting the start bit.

EUART Mode Summary

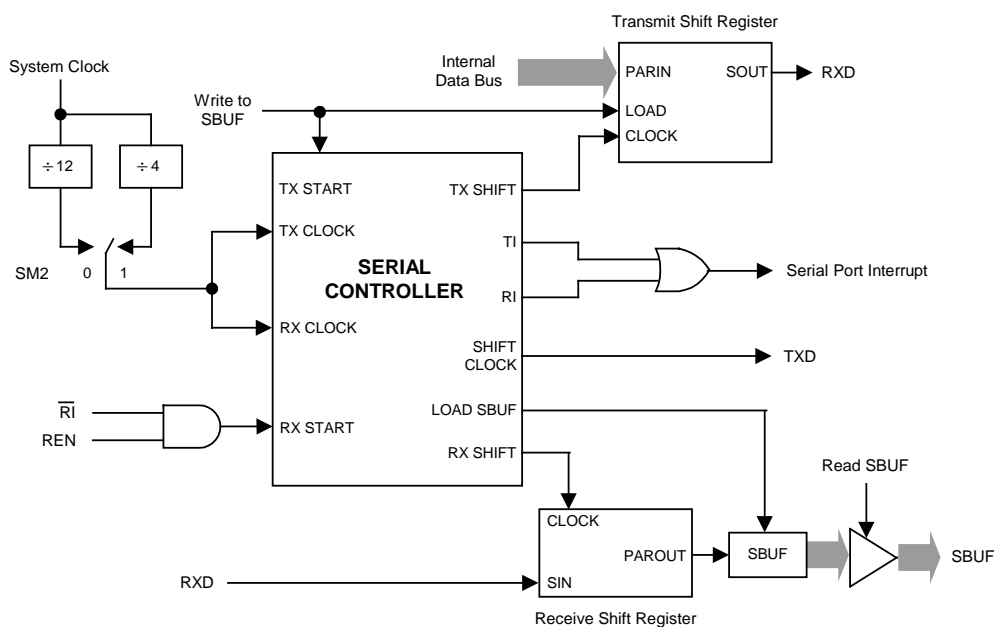
SM0	SM1	Mode	Type	Baud Clock	Frame Size	Start Bit	Stop Bit	9 th bit
0	0	0	Synch	$f_{SYS}/(4 \text{ or } 12)$	8 bits	NO	NO	None
0	1	1	Asynch	Timer 1 or 2 overflow rate/(16 or 32)	10 bits	1	1	None
1	0	2	Asynch	$f_{SYS}/(32 \text{ or } 64)$	11 bits	1	1	0, 1
1	1	3	Asynch	Timer 1 or 2 overflow rate/(16 or 32)	11 bits	1	1	0, 1

Mode0: Synchronous Mode, Half duplex

This mode provides synchronous communication with external devices. In this mode serial data is transmitted and received on the RxD line. TxD is used to output the shift clock. The TxD clock is provided by the SH79F1617A whether the device is transmitting or receiving. This mode is therefore a half duplex mode of serial communication. In this mode, 8 bits are transmitted or received per frame. The LSB is transmitted/received first.

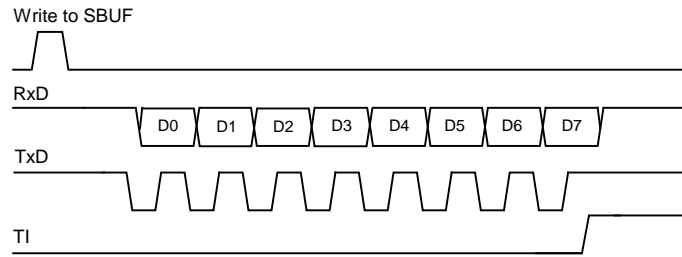
The baud rate is programmable to either 1/12 or 1/4 of the system clock. This baud rate is determined in the SM2 bit (SCON.5). When this bit is set to 0, the serial port runs at 1/12 of the system clock. When set to 1, the serial port runs at 1/4 of the system clock.

The functional block diagram is shown below. Data enters and exits the serial port on the RxD line. The TxD line is used to output the SHIFT CLOCK. The SHIFT CLOCK is used to shift data into and out of the SH79F1617A.



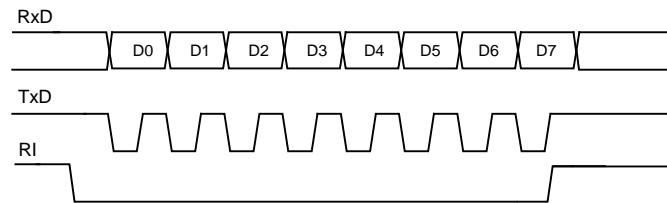


Any instruction that uses SBUF as a destination register ("write to SBUF" signal) will start the transmission. The next system clock tells the Tx control block to commence a transmission. The data shift occurs at the falling edge of the SHIFT CLOCK, and the contents of the transmit shift register is shifted one position to the right. As data bits shift to the right, zeros come in from the left. After transmission of all 8 bits in the transmit shift register, the Tx control block will deactivate SEND and sets TI (SCON.1) at the rising edge of the next system clock.



Send Timing of Mode 0

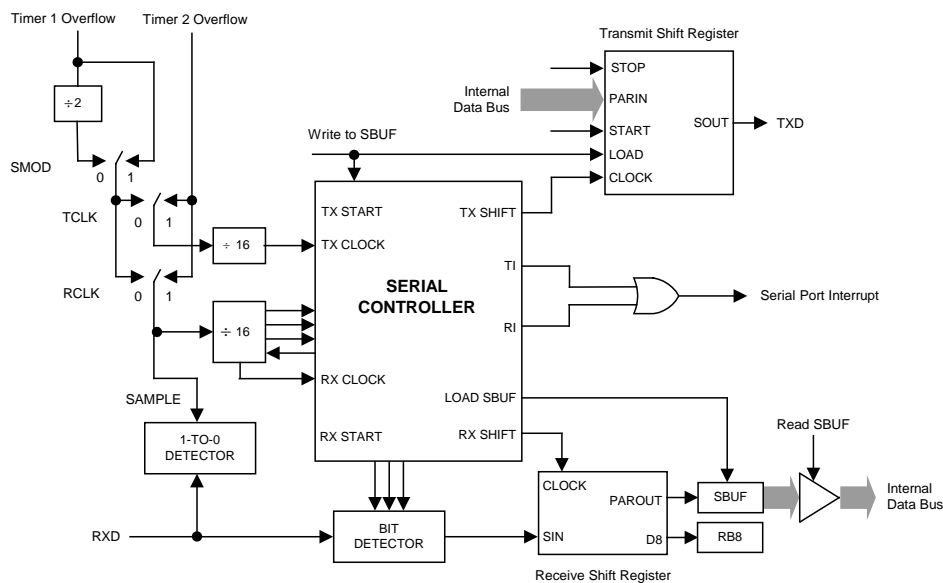
Reception is initiated by the condition REN (SCON.4) = 1 and RI (SCON.0) = 0. The next system clock activates RECEIVE. The data latch occurs at the rising edge of the SHIFT CLOCK, and the contents of the receive shift register are shifted one position to the left. After the receiving of all 8 bits into the receive shift register, the RX control block will deactivate RECEIVE and sets RI at the rising edge of the next system clock, and the reception will not be enabled till the RI is cleared by software.



Receive Timing of Mode 0

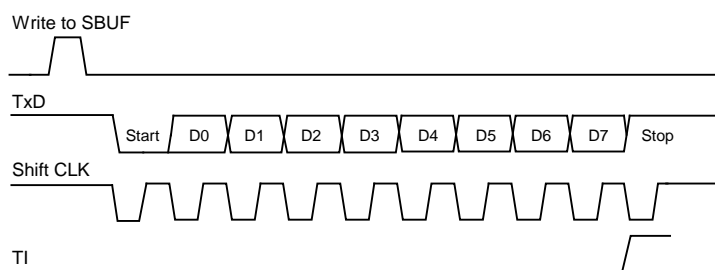
Mode1: 8-Bit EUART, Variable Baud Rate, Asynchronous Full-Duplex

This mode provides the 10 bits full duplex asynchronous communication. The 10 bits consist of a start bit (logical 0), 8 data bits (LSB first), and a stop bit (logical 1). When receiving, the eight data bits are stored in SBUF and the stop bit goes into RB8 (SCON.2). The baud rate in this mode is variable. The serial receive and transmit baud rate can be programmed to be 1/16 of the Timer1/2 overflow (Refer to **Baud Rate** Section for details). The functional block diagram is shown below:





Transmission begins with a “write to SBUF” signal, and it actually commences at the next system clock following the next rollover in the divide-by-16 counter (divide baud-rate by 16), thus, the bit times are synchronized to the divide-by-16 counter, not to the “write to SUBF” signal. The start bit is firstly put out on TxD pin, and then are the 8 bits of data. After all 8 bits of data in the transmit shift register are transmitted, the stop bit is put out on the TxD pin, and the TI flag is set at the same time that the stop is send.



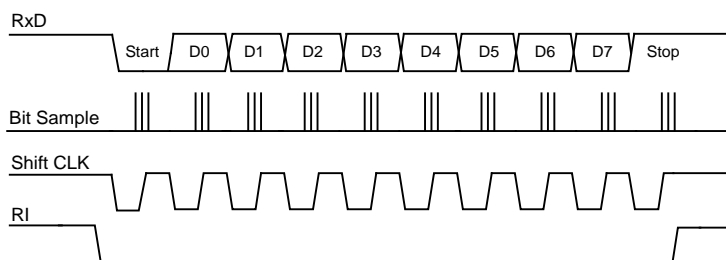
Send Timing of Mode 1

Reception is enabled only if REN is high. The serial port actually starts the receiving of serial data with the detection of a falling edge on the RxD pin. For this purpose RxD is sampled at the rate of 16 times baud rate. When a falling edge is detected, the divide-by-16 counter is immediately reset. This helps to align the bit boundaries with the rollovers of the divide-by-16 counter. The 16 states of the counter divide each bit time into 16ths. The bit detector samples the value of RxD at the 7th, 8th and 9th counter states of each bit time. The value accepted is the value that was seen in at least 2 of the 3 samples. This is done for noise rejection. If the first bit after the falling edge of RxD pin is not 0, which indicates an invalid start bit, and the reception is immediately aborted. The receive circuits are reset and again waiting for a falling edge in the RxD line. If a valid start bit is detected, then the rest of the bits are also detected and shifted into the shift register. After shifting in 8 data bits and the stop bit, the SBUF and RB8 are loaded and RI is set if the following conditions are met:

- (1) RI must be 0
- (2) Either SM2 = 0, or the received stop bit = 1

If these conditions are met, then the stop bit goes to RB8, the 8 data bits go into SBUF and RI is set. Otherwise the received frame may be lost.

At the time, the receiver goes back to looking for another falling edge on the RxD pin. And the user should clear RI by software for further reception.

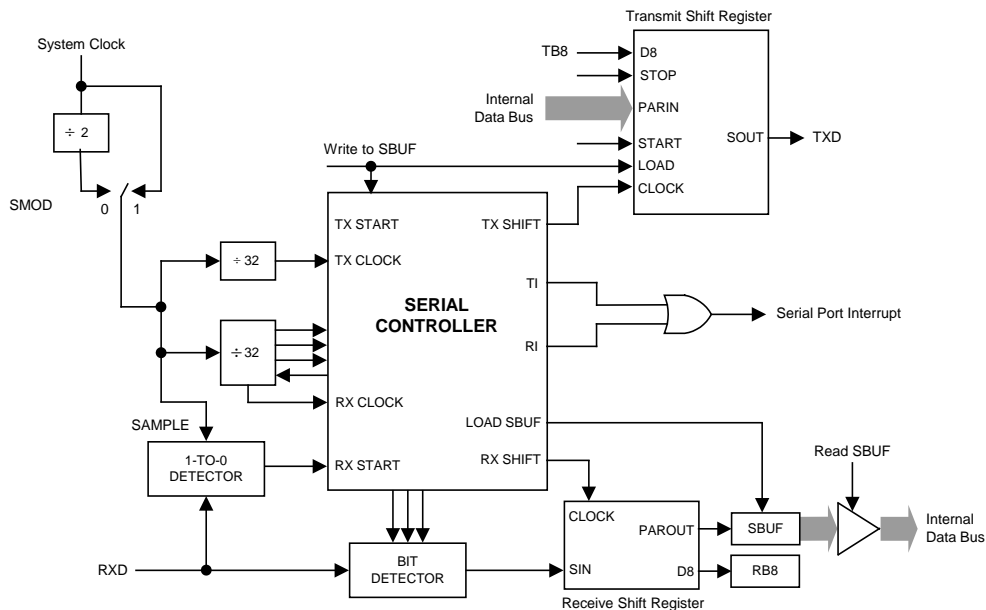


Receive Timing of Mode 1

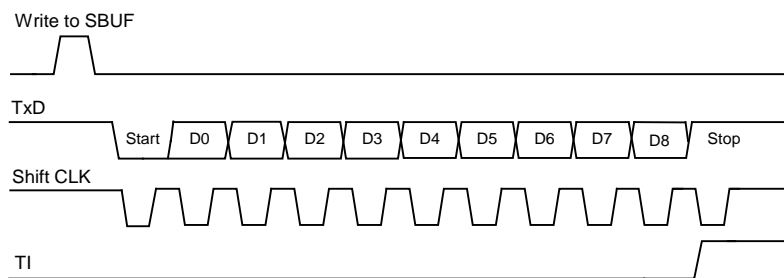


Mode2: 9-Bit EUART, Fixed Baud Rate, Asynchronous Full-Duplex

This mode provides the 11 bits full duplex asynchronous communication. The 11 bit consists of one start bit (logical 0), 8 data bits (LSB first), a programmable 9th data bit, and a stop bit (logical 1). Mode 2 supports multiprocessor communications and hardware address recognition (Refer to Multiprocessor Communication Section for details). When data is transmitted, the 9th data bit (TB8 in SCON) can be assigned the value of 0 or 1, for example, the parity bit P in the PSW or used as data/address flag in multiprocessor communications. When data is received, the 9th data bit goes into RB8 and the stop bit is not saved. The baud rate is programmable to either 1/32 or 1/64 of the system working frequency, as determined by the SMOD bit in PCON. The functional block diagram is shown below:



Transmission begins with a “write to SBUF” signal, the “write to SBUF” signal also loads TB8 into the 9th bit position of the transmit shift register. Transmission actually commences at the next system clock following the next rollover in the divide-by-16 counter (thus, the bit times are synchronized to the divide-by-16 counter, not to the “write to SUBF” signal). The start bit is firstly put out on TxD pin, and then are the 9 bits of data. After all 9 bits of data in the transmit shift register are transmitted, the stop bit is put out on the TxD pin, and the TI flag is set at the same time, this will be at the 11th rollover of the divide-by-16 counter after a write to SBUF.



Send Timing of Mode 2

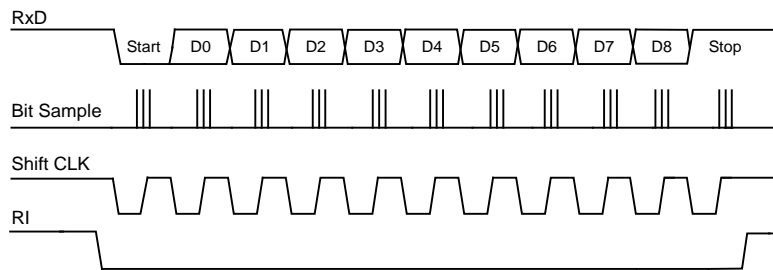


Reception is enabled only if REN is high. The serial port actually starts the receiving of serial data, with the detection of a falling edge on the RxD pin. For this purpose RxD is sampled at the rate of 16 times baud rate. When a falling edge is detected, the divide-by-16 counter is immediately reset. This helps to align the bit boundaries with the rollovers of the divide-by-16 counter. The 16 states of the counter divide each bit time into 16ths. The bit detector samples the value of RxD at the 7th, 8th and 9th counter state of each bit time. The value accepted is the value that was seen in at least 2 of the 3 samples. This is done for noise rejection. If the first bit detected after the falling edge of RxD pin is not 0, which indicates an invalid start bit, and the reception is immediately aborted. The receive circuits are reset and again looks for a falling edge in the RxD line. If a valid start bit is detected, then the rest of the bits are also detected and shifted into the shift register. After shifting in 9 data bits and the stop bit, the SBUF and RB8 are loaded and RI is set if the following conditions are met:

- (1) RI must be 0
- (2) Either SM2 = 0, or the received 9th bit = 1 and the received byte accords with Given Address

If these conditions are met, then the 9th bit goes to RB8, the 8 data bits go into SBUF and RI is set. Otherwise the received frame may be lost.

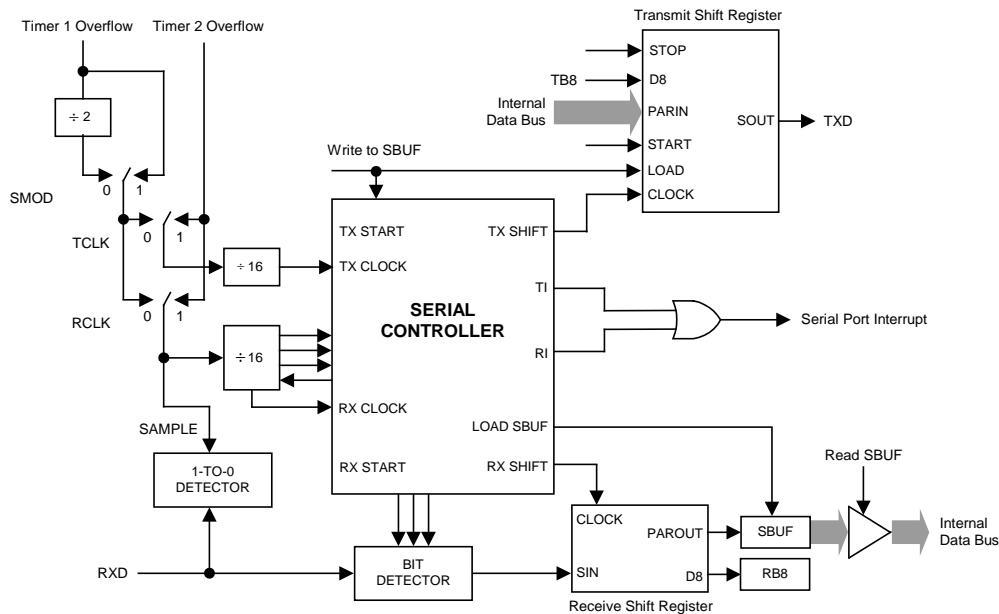
At the time, the receiver goes back to looking for another falling edge on the RxD pin. And the user should clear RI by software for further reception.



Receive Timing of Mode 2

Mode3: 9-Bit EUART, Variable Baud Rate, Asynchronous Full-Duplex

Mode3 uses transmission protocol of the Mode 2 and baud rate generation of the Mode1.





8.3.3 Baud Rate Generate

In Mode0, the baud rate is programmable to either 1/12 or 1/4 of the system frequency. This baud rate is determined by SM2 bit. When set to 0, the serial port runs at 1/12 of the system clock. When set to 1, the serial port runs at 1/4 of the system clock.

In Mode1 & Mode3, the baud rate can be selected from Timer1/2 overflow rate.

The Mode1 & 3 baud rate equations are shown below, where[RCAP2H, RCAP2L] is the 16-bit reload register for Timer2, SMOD is the EUART baud rate doubler (PCON.7) , T1CLK is the clock source of Timer1. T2CLK is the clock source of Timer2.

$$\text{BaudRate} = \frac{2^{\text{SMOD}}}{32} \times \frac{f_{T1}}{256 - \text{TH1}}, \text{ Baud Rate using Timer1, Mode2.}$$

$$\text{BaudRate} = \frac{1}{2 \times 16} \times \frac{f_{\text{SYS}}}{65536 - [\text{RCAP2H}, \text{RCAP2L}]}, \text{ Baud Rate using Timer2, the clock source of Timer2 is system clock.}$$

$$\text{BaudRate} = \frac{1}{2 \times 16} \times \frac{f_{\text{SYS}} / 12}{65536 - [\text{RCAP2H}, \text{RCAP2L}]}, \text{ Baud Rate using Timer2, the clock source of Timer2 is system clock/12.}$$

$$\text{BaudRate} = \frac{1}{16} \times \frac{f_{T2}}{65536 - [\text{RCAP2H}, \text{RCAP2L}]}, \text{ Baud Rate using Timer2, the clock source of Timer2 is input clock of T2 pin.}$$

In Mode 2, the baud rate is programmable to either 1/32 or 1/64 of the system clock. This baud rate is determined by the SMOD bit (PCON.7). When this bit is set to 0, the serial port runs at 1/64 of the clock. When set to 1, the serial port runs at 1/32 of the clock.

$$\text{BaudRate} = 2^{\text{SMOD}} \times \left(\frac{f_{\text{SYS}}}{64}\right)$$

8.3.4 Multi-Processor Communication

Software Address Recognition

Modes 2 and 3 of the EUART have a special provision for multi-processor communication. In these modes, 9 data bits are received. The 9th bit goes into RB8. Then a stop bit follows. The EUART can be programmed such that when the stop bit is received, the EUART interrupt will be activated (i.e. the request flag RI is set) only if RB8 = 1. This feature is enabled by setting the bit SM2 in SCON.

A way to use this feature in multiprocessor communications is as follows. If the master processor wants to transmit a block of data to one of the several slaves, it first sends out an address byte which identifies the target slave. An address byte differs from a data byte in that the 9th bit is 1 in an address byte and 0 in a data byte.

With SM2 = 1, no other slave will be interrupted by a data byte. An address byte, however, will interrupt all slaves, so that each slave can examine the received byte and see if it is being addressed. The addressed slave will clear its SM2 bit and prepare to receive the data bytes that will be coming. After having received a complete message, the slave sets SM2 again. The slaves that were not addressed leave their SM2 set and go on with their business, ignoring the incoming data bytes.

Note: In mode 0, SM2 is used to select baud rate doubling. In mode 1, SM2 can be used to check the validity of the stop bit. If SM2 = 1 in mode 1, the receive interrupt will not be activated unless a valid stop bit is received.

Automatic (Hardware) Address Recognition

In Mode 2 & 3, setting the SM2 bit will configure EUART act as following: when a stop bit is received, EUART will generate an interrupt only if the 9th bit that goes into RB8 is logic 1 (address byte) and the received data byte matches the EUART slave address. Following the received address interrupt, the slave should clear its SM2 bit to enable interrupts on the reception of the following data byte(s).

The 9-bit mode requires that the 9th information bit is a 1 to indicate that the received information is an address and not data. When the master processor wants to transmit a block of data to one of the slaves, it first sends out the address of the targeted slave (or slaves). All the slave processors should have their SM2 bit set high when waiting for an address byte, which ensures that they will be interrupted only by the reception of an address byte. The Automatic address recognition feature further ensures that only the addressed slave will be interrupted. The address comparison is done by hardware not software.

After being interrupted, the addressed slave clears the SM2 bit to receive data bytes. The un-addressed slaves will be unaffected, as they will be still waiting for their address. Once the entire message is received, the addressed slave should set its SM2 bit to ignore all transmissions until it receives the next address byte.

The Automatic Address Recognition feature allows a master to selectively communicate with one or more slaves by invoking the Given Address. All of the slaves may be contacted by using the Broadcast address. Two special Function Registers are used to define the slave's address, SADDR, and the address mask, SADEN. The slave address is an 8-bit value specified in the SADDR register. The SADEN register is actually a mask for the byte value in SADDR. If a bit position in SADEN is 0, then the corresponding bit position in SADDR is don't care. Only those bit positions in SADDR whose corresponding bits in SADEN are 1 are used to obtain the Given Address. This gives the user flexibility to address multiple slaves without changing the slave address in SADDR. Use of the Given Address allows multiple slaves to be recognized while excluding others.



	Slave1	Slave2
SADDR	10100100	10100111
SADEN (0 mask)	11111010	11111001
Given Address	10100x0x	10100xx1
Broadcast Address (OR)	1111111x	11111111

The Given address for slave 1 and 2 differ in the LSB. For slave 1, it is a don't care, while for slave 2 it is 1. Thus to communicate only with slave 1, the master must send an address with LSB = 0 (10100000). Similarly the bit 1 is 0 for slave 1 and don't care for slave 2. Hence to communicate only with slave 2 the master has to transmit an address with bit 1 = 1 (1010 0011). If the master wishes to communicate with both slaves simultaneously, then the address must have bit 0 = 1 and bit 1 = 0. The bit 2 position is don't care for both the slaves. This allows two different addresses to select both slaves (1010 0001 and 1010 0101).

The master can communicate with all the slaves simultaneously with the Broadcast Address. This address is formed from the logical OR of the SADDR and SADEN. The zeros in the result are defined as don't cares. In most cases, the Broadcast Address is FFh, this address will be acknowledged by all slaves.

On reset, the SADDR and SADEN are initialized to 00h. This results in Given Address and Broadcast Address being set as XXXXXXXX (all bits don't care). This effectively removes the multiprocessor communications feature, since any selectivity is disabled. This ensures that the EUART 0 will reply to any address, which it is backwards compatible with the 80C51 microcontrollers that do not support automatic address recognition. So the user may implement multiprocessor by software address recognition mentioned above.

8.3.5 Error Detection

Error detection is available when the SSTAT bit in register PCON is set to logic 1. The SSTAT bit must be logic 1 to access any of the status bits (FE, RXOV, and TXCOL). The SSTAT bit must be logic 0 to access the Mode Select bits (SM0, SM1, and SM2). All the 3 bits should be cleared by software after they are set, even when the following frames received without any error will not be cleared automatically.

Transmit Collision

The Transmit Collision bit (TXCOL bit in register SCON) reads '1' if RI is set 0 and user software writes data to the SBUF register while a transmission is still in progress. If this occurs, the new data will be ignored and the transmit buffer will not be written.

Receive Overrun

The Receive Overrun bit (RXOV in register SCON) reads '1' if a new data byte is latched into the receive buffer before software has read the previous byte. The previous data is lost when this happens.

Frame Error

The Frame Error bit (FE in register SCON) reads '1' if an invalid (low) STOP bit is detected.

Break Detection

A break is detected when any 11 consecutive bits are sensed low. Since a break condition also satisfies the requirements for a framing error, a break condition will also result in reporting a framing error. Once a break condition has been detected, the EUART will go into an idle state and remain in this idle state until a valid stop bit (rising edge on RxD line) has been received.



8.3.6 Register

EUART related SFR

Table 8.20 EUART Control & Status Register

98H	Bit7	Bit6	Bit5	Bit4	Bit3	Bit2	Bit1	Bit0
SCON	SM0/FE	SM1/RXOV	SM2/TXCOL	REN	TB8	RB8	TI	RI
R/W	R/W	R/W	R/W	R/W	R/W	R/W	R/W	R/W
Reset Value (POR/WDT/LVR/PIN)	0	0	0	0	0	0	0	0

Bit Number	Bit Mnemonic	Description
7-6	SM[0:1]	EUART Serial mode control bit, when SSTAT = 0 00: mode 0, Synchronous Mode, fixed baud rate 01: mode 1, 8 bit Asynchronous Mode, variable baud rate 10: mode 2, 9 bit Asynchronous Mode, fixed baud rate 11: mode 3, 9 bit Asynchronous Mode, variable baud rate
7	FE	EUART Frame Error flag, when FE bit is read, SSTAT bit must be set 1 0: No Frame Error, clear by software 1: Frame error occurs, set by hardware
6	RXOV	EUART Receive Over flag, when RXOV bit is read, SSTAT bit must be set 1 0: No Receive Over, clear by software 1: Receive over occurs, set by hardware
5	SM2	EUART Multi-processor communication enable bit (9th bit '1' checker), when SSTAT = 0 0: In mode 0, baud-rate is 1/12 of system clock In mode 1, disable stop bit validation check, any stop bit will set RI to generate interrupt In mode 2 & 3, any byte will set RI to generate interrupt 1: In mode 0, baud-rate is 1/4 of system clock In mode 1, Enable stop bit validation check, only valid stop bit (1) will set RI to generate interrupt In mode 2 & 3, only address byte (9 th bit = 1) will set RI to generate interrupt
5	TXCOL	EUART Transmit Collision flag, when TXCOL bit is read, SSTAT bit must be set 1 0: No Transmit Collision, clear by software 1: Transmit Collision occurs, set by hardware
4	REN	EUART Receiver enable bit 0: Receive Disable 1: Receive Enable
3	TB8	The 9th bit to be transmitted in mode 2 & 3 of EUART, set or clear by software
2	RB8	The 9th bit to be received in mode 1,2 & 3 of EUART In mode 0, RB8 is not used In mode 1, if receive interrupt occurs, RB8 is the stop bit that was received In modes 2 & 3 it is the 9 th bit that was received
1	TI	Transmit interrupt flag of EUART 0: cleared by software 1: Set by hardware at the end of the 8 th bit time in mode 0, or at the beginning of the stop bit in other modes
0	RI	Receive interrupt flag of EUART 0: cleared by software. 1: Set by hardware at the end of the 8 th bit time in mode 0, or during the stop bit time in other modes



Table 8.21 EUART Data Buffer Register

99H	Bit7	Bit6	Bit5	Bit4	Bit3	Bit2	Bit1	Bit0
SBUF	SBUF.7	SBUF.6	SBUF.5	SBUF.4	SBUF.3	SBUF.2	SBUF.1	SBUF.0
R/W	R/W	R/W	R/W	R/W	R/W	R/W	R/W	R/W
Reset Value (POR/WDT/LVR/PIN)	0	0	0	0	0	0	0	0

Bit Number	Bit Mnemonic	Description
7-0	SBUF.7-0	This SFR accesses two registers; a transmit shift register and a receive latch register A write of SBUF will send the byte to the transmit shift register and then initiate a transmission A read of SBUF returns the contents of the receive latch

Table 8.22 Power Control Register

87H	Bit7	Bit6	Bit5	Bit4	Bit3	Bit2	Bit1	Bit0
PCON	SMOD	SSTAT	-	-	GF1	GF0	PD	IDL
R/W	R/W	R/W	-	-	R/W	R/W	R/W	R/W
Reset Value (POR/WDT/LVR/PIN)	0	0	-	-	0	0	0	0

Bit Number	Bit Mnemonic	Description
7	SMOD	Baud rate doubler If set in mode 1 & 3, the baud-rate of EUART is doubled if using time4 as baud-rate generator If set in mode 2, the baud-rate of EUART is doubled
6	SSTAT	SCON [7:5] function select bit 0: SCON [7:5] operates as SM0, SM1, SM2 1: SCON [7:5] operates as FE, RXOV, TXCOL
3-2	GF[1:0]	General purpose flags for software use
1	PD	Power-Down mode control bit
0	IDL	Idle mode control bit

Table 8.23 EUART Slave Address & Address Mask Register

9AH-9BH	Bit7	Bit6	Bit5	Bit4	Bit3	Bit2	Bit1	Bit0
SADDR	SADDR.7	SADDR.6	SADDR.5	SADDR.4	SADDR.3	SADDR.2	SADDR.1	SADDR.0
SADEN	SADEN.7	SADEN.6	SADEN.5	SADEN.4	SADEN.3	SADEN.2	SADEN.1	SADEN.0
R/W	R/W	R/W	R/W	R/W	R/W	R/W	R/W	R/W
Reset Value (POR/WDT/LVR/PIN)	0	0	0	0	0	0	0	0

Bit Number	Bit Mnemonic	Description
7-0	SADDR.7-0	SFR SADDR defines the EUART's slave address
7-0	SADEN.7-0	SFR SADEN is a bit mask to determine which bits of SADDR are checked against a received address: 0: Corresponding bit in SADDR is a "don't care" 1: Corresponding bit in SADDR is checked against a received address

**Table 8.24** RXD Schmidt Level Control Register

9FH	Bit7	Bit6	Bit5	Bit4	Bit3	Bit2	Bit1	Bit0
RXDCON	REFC	-	-	-	-	-	-	RXDCON0
R/W	R/W	-	-	-	-	-	-	R/W
Reset Value (POR/WDT/LVR/PIN)	0	-	-	-	-	-	-	0

Bit Number	Bit Mnemonic	Description
0	RXDCON0	RXD Schmidt Level Control Register 0: Input high level threshold is $0.8V_{DD}$, Input low level threshold is $0.2V_{DD}$ 1: Input high level threshold is $0.55V_{DD}$, Input low level threshold is $0.2V_{DD}$

Note: RXDCON register is valid only when EUART is enable. Input high/low level data is test under 25°C (Refer to Electrical Characteristics).



8.4 Analog Digital Converter (ADC)

8.4.1 Feature

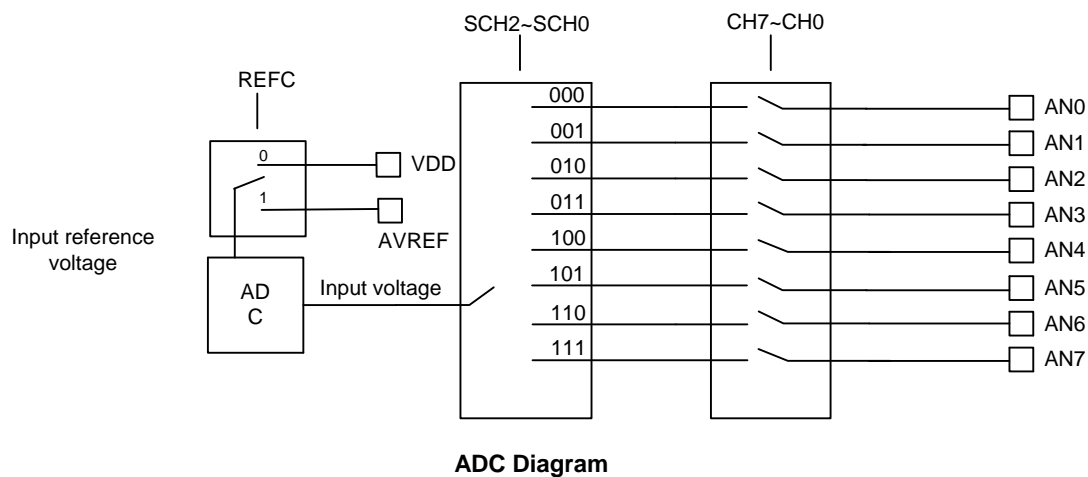
- 10-bit Resolution
- Selectable external or built-in V_{REF}
- 8 Multiplexed Input Channels

The SH79F1617A include a single ended, 10-bit SAR Analog to Digital Converter (ADC) with build in reference voltage connected to the V_{DD} , users also can select the AVREF port input reference voltage. The 8 ADC channels are shared with 1 ADC module; each channel can be programmed to connect with the analog input individually. Only one channel can be available at one time. $\overline{GO/DONE}$ signal is available to start convert, and indicate end of convert. When conversion is completed, the data in AD convert data register will be updated and ADCIF bit in ADCON register will be set. If ADC Interrupt is enabled, the ADC interrupt will generate.

The ADC integrates a digital compare function to compare the value of analog input with the digital value in the AD converter. If this function is enabled (set EC bit in ADCON register) and ADC module is enabled (set ADON bit in ADCON register). When the corresponding digital value of analog input is larger than the value in compare value register (ADDH/L), the ADC interrupt will occur, otherwise no interrupt will be generated. The digital comparator can work continuously when $\overline{GO/DONE}$ bit is set until software clear, which behaviors different with the AD converter operation mode.

The ADC module including digital compare module can wok in Idle mode and the ADC interrupt will wake up the Idle mode, but is disabled in Power-Down mode.

8.4.2 ADC Diagram





8.4.3 ADC Register

Table 8.20 ADC Control Register

93H	Bit7	Bit6	Bit5	Bit4	Bit3	Bit2	Bit1	Bit0
ADCON	ADON	ADCIF	EC	-	SCH2	SCH1	SCH0	GO/DONE
R/W	R/W	R/W	R/W	-	R/W	R/W	R/W	R/W
Reset Value (POR/WDT/LVR/PIN)	0	0	0	-	0	0	0	0

Bit Number	Bit Mnemonic	Description
7	ADON	ADC Enable bit 0: Disable the ADC module 1: Enable the ADC module
6	ADCIF	ADC Interrupt Flag bit 0: No ADC interrupt, cleared by software. 1: Set by hardware to indicate that the AD Convert has been completed, or analog input is larger than ADDH/ADDL if compare is enabled
5	EC	Compare Function Enable bit 0: Compare function disabled 1: Compare function enabled
3-1	SCH[2:0]	ADC channel Select bits 000: ADC channel AN0 001: ADC channel AN1 010: ADC channel AN2 011: ADC channel AN3 100: ADC channel AN4 101: ADC channel AN5 110: ADC channel AN6 111: ADC channel AN7
0	GO/DONE	ADC status flag bit 0: Automatically cleared by hardware when AD convert is completed. Clearing this bit during converting time will stop current conversion. If Compare function is enabled, this bit will not be cleared by hardware until software clear. 1: Set to start AD convert or digital compare.

Table 8.21 ADC Reference Voltage Select Register

9FH	Bit7	Bit6	Bit5	Bit4	Bit3	Bit2	Bit1	Bit0
RXDCON	REFC	-	-	-	-	-	-	RXDCON0
R/W	R/W	-	-	-	-	-	-	R/W
Reset Value (POR/WDT/LVR/PIN)	0	-	-	-	-	-	-	0

Bit Number	Bit Mnemonic	Description
7	REFC	Reference Voltage Select bit 0: the reference voltage connected to V_{DD} 1: the reference voltage input from V_{REF} pin

Note: When select the reference voltage input from V_{REF} pin ($REFC = 1$), the P1.6 is shared as V_{REF} input.



Table 8.22 ADC Time Control Register

94H	Bit7	Bit6	Bit5	Bit4	Bit3	Bit2	Bit1	Bit0
ADT	TADC2	TADC1	TADC0	-	TS3	TS2	TS1	TS0
R/W	R/W	R/W	R/W	-	R/W	R/W	R/W	R/W
Reset Value (POR/WDT/LVR/PIN)	0	0	0	-	0	0	0	0

Bit Number	Bit Mnemonic	Description
7-5	TADC[2:0]	ADC Clock Period Select bits 000: ADC Clock Period $t_{AD} = 2 t_{SYS}$ 001: ADC Clock Period $t_{AD} = 4 t_{SYS}$ 010: ADC Clock Period $t_{AD} = 6 t_{SYS}$ 011: ADC Clock Period $t_{AD} = 8 t_{SYS}$ 100: ADC Clock Period $t_{AD} = 12 t_{SYS}$ 101: ADC Clock Period $t_{AD} = 16 t_{SYS}$ 110: ADC Clock Period $t_{AD} = 24 t_{SYS}$ 111: ADC Clock Period $t_{AD} = 32 t_{SYS}$
3-0	TS[3:0]	Sample time select bits $2 t_{AD} \leq \text{Sample time} = (\text{TS} [3:0]+1) * t_{AD} \leq 15 t_{AD}$

Note:

- (1) Make sure that $t_{AD} \geq 1\mu s$;
- (2) The minimum sample time is $2 t_{AD}$, even $TS[3:0] = 0000$;
- (3) The maximum sample time is $15 t_{AD}$, even $TS[3:0] = 1111$;
- (4) Evaluate the series resistance connected with ADC input pin before set $TS[3:0]$;
- (5) Be sure that the series resistance connected with ADC input pin is no more than $10k\Omega$ when $2 t_{AD}$ sample time is selected;
- (6) Total conversion time is: $12 t_{AD} + \text{sample time}$.

For Example:

System Clock (SYSCLK)	TADC[2:0]	t_{AD}	TS[3:0]	Sample Time	Conversion Time
4MHz	000	$0.25 * 2 = 0.5\mu s$	-	-	($t_{AD} < 1\mu s$, not recommended)
	001	$0.25 * 4 = 1\mu s$	0000	$2 * 1 = 2\mu s$	$12 * 1 + 2 = 14\mu s$
	001	$0.25 * 4 = 1\mu s$	0111	$8 * 1 = 8\mu s$	$12 * 1 + 8 = 20\mu s$
	001	$0.25 * 4 = 1\mu s$	1111	$15 * 1 = 15\mu s$	$12 * 1 + 15 = 27\mu s$
	111	$0.25 * 32 = 8\mu s$	0000	$2 * 8 = 16\mu s$	$12 * 8 + 16 = 112\mu s$
	111	$0.25 * 32 = 8\mu s$	0111	$8 * 8 = 64\mu s$	$12 * 8 + 64 = 160\mu s$
	111	$0.25 * 32 = 8\mu s$	1111	$15 * 8 = 120\mu s$	$12 * 8 + 120 = 216\mu s$
12MHz	000	$0.083 * 2 = 0.166\mu s$	-	-	($t_{AD} < 1\mu s$, not recommended)
	100	$0.083 * 12 = 1\mu s$	0000	$2 * 1 = 2\mu s$	$12 * 1 + 2 = 14\mu s$
	100	$0.083 * 12 = 1\mu s$	0111	$8 * 1 = 8\mu s$	$12 * 1 + 8 = 20\mu s$
	100	$0.083 * 12 = 1\mu s$	1111	$15 * 1 = 15\mu s$	$12 * 1 + 15 = 27\mu s$
	111	$0.083 * 32 = 2.7\mu s$	0000	$2 * 2.7 = 5.4\mu s$	$12 * 2.7 + 5.4 = 37.8\mu s$
	111	$0.083 * 32 = 2.7\mu s$	0111	$8 * 2.7 = 21.6\mu s$	$12 * 2.7 + 21.6 = 54\mu s$
	111	$0.083 * 32 = 2.7\mu s$	1111	$15 * 2.7 = 40.5\mu s$	$12 * 2.7 + 40.5 = 72.9\mu s$
16MHz	000	$0.0625 * 2 = 0.125\mu s$	-	-	($t_{AD} < 1\mu s$, not recommended)
	110	$0.0625 * 24 = 1.5\mu s$	0000	$2 * 1.5 = 3.0\mu s$	$12 * 1.5 + 3.0 = 21\mu s$
	110	$0.0625 * 24 = 1.5\mu s$	0111	$8 * 1.5 = 12\mu s$	$12 * 1.5 + 12 = 30\mu s$
	110	$0.0625 * 24 = 1.5\mu s$	1111	$15 * 1.5 = 22.5\mu s$	$12 * 1.5 + 22.5 = 40.5\mu s$
	111	$0.0625 * 32 = 2.0\mu s$	0000	$2 * 2.0 = 4.0\mu s$	$12 * 2.0 + 4.0 = 28\mu s$
	111	$0.0625 * 32 = 2.0\mu s$	0111	$8 * 2.0 = 16\mu s$	$12 * 2.0 + 16 = 40\mu s$
	111	$0.0625 * 32 = 2.0\mu s$	1111	$15 * 2.0 = 30\mu s$	$12 * 2.0 + 30 = 54\mu s$



Table 8.23 ADC Channel Configure Register

95H	Bit7	Bit6	Bit5	Bit4	Bit3	Bit2	Bit1	Bit0
ADCH	CH7	CH6	CH5	CH4	CH3	CH2	CH1	CH0
R/W	R/W	R/W	R/W	R/W	R/W	R/W	R/W	R/W
Reset Value (POR/WDT/LVR/PIN)	0	0	0	0	0	0	-	-

Bit Number	Bit Mnemonic	Description
7-0	CH[7:0]	Channel Configuration bits 0: P0.2-P0.5, P1.2-P1.5 are I/O port 1: P0.2-P0.5, P1.2-P1.5 are ADC input port

Table 8.24 AD Converter Data Register (Compare Value Register)

96H	Bit7	Bit6	Bit5	Bit4	Bit3	Bit2	Bit1	Bit0
ADDL	-	-	-	-	-	-	A1	A0
R/W	-	-	-	-	-	-	R/W	R/W
Reset Value (POR/WDT/LVR/PIN)	-	-	-	-	-	-	0	0
97H	Bit7	Bit6	Bit5	Bit4	Bit3	Bit2	Bit1	Bit0
ADDH	A9	A8	A7	A6	A5	A4	A3	A2
R/W	R/W	R/W	R/W	R/W	R/W	R/W	R/W	R/W
Reset Value (POR/WDT/LVR/PIN)	0	0	0	0	0	0	0	0

Bit Number	Bit Mnemonic	Description
1-0 7-0	A9-A0	ADC Data register Digital Value of sampled analog voltage, updated when conversion is completed If ADC Compare function is enabled (EC = 1), this is the value to be compared with the analog input

The Approach for AD Conversion:

- (1) Select the analog input channels and reference voltage.
- (2) Enable the ADC module with the selected analog channel.
- (3) Set $\overline{GO/DONE} = 1$ to start the AD conversion.
- (4) Wait until $\overline{GO/DONE} = 0$ or $ADCIF = 1$, if the ADC interrupt is enabled, the ADC interrupt will occur.
- (5) Acquire the converted data from ADDH/ADDL.
- (6) Repeat step 3-5 if another conversion is required.

The Approach for Digital Compare Function:

- (1) Select the analog input channels and reference voltage.
- (2) Set ADDH/ADDL to the compare value.
- (3) Set EC = 1 to enable compare function.
- (4) Enable the ADC module with the selected analog channel.
- (5) Set $\overline{GO/DONE} = 1$ to start the compare function.
- (6) If the analog input is larger than compare value set in ADDH/ADDL, the ADCIF will be set to 1. If the ADC interrupt is enabled, the ADC interrupt will occur.
- (7) The compare function will continue work until the $\overline{GO/DONE}$ bit is cleared to 0.



8.5 Buzzer

8.5.1 Feature

- Output a signal (square wave) used for tones such as a confirmation tone
- Selectable whether to output one of 10 output frequencies or to disable the output

8.5.2 Register

Table 8.25 Buzzer output control Register

BDH	Bit7	Bit6	Bit5	Bit4	Bit3	Bit2	Bit1	Bit0
BUZCON	-	-	-	BCA3	BCA2	BCA1	BCA0	BZEN
R/W	-	-	-	R/W	R/W	R/W	R/W	R/W
Reset Value (POR/WDT/LVR/PIN)	-	-	-	0	0	0	0	0

Bit Number	Bit Mnemonic	Description
4-1	BCA[3:0]	Buzzer output carrier frequency control bits 0000: system clock/8192 0001: system clock/4096 0010: system clock/2048 0011: system clock/1024 0100: system clock/512 0101: system clock/32 0110: system clock/16 0111: system clock/8 1000: system clock/16384 1001: system clock/32768 Others: system clock/8192
0	BZEN	Enable buzzer output control bit 0: P2.0 is I/O port 1: P2.0 is buzzer output port



8.6 Low Voltage Reset (LVR)

8.6.1 Feature

- Enabled by the code option and VLVR is 4.1V or 3.7V
- LVR de-bounce timer T_{LVR} is about 30-60 μ s
- An internal reset flag indicates low voltage reset generates

The LVR function is used to monitor the supply voltage and generate an internal reset in the device when the supply voltage below the specified value V_{LVR} . The LVR de-bounce timer T_{LVR} is about 30 μ s.

The LVR circuit has the following functions when the LVR function is enabled: (t means the time of the supply voltage below V_{LVR})

Generates a system reset when $V_{DD} \leq V_{LVR}$ and $t \geq T_{LVR}$;

Cancels the system reset when $V_{DD} > V_{LVR}$ or $V_{DD} < V_{LVR}$, but $t < T_{LVR}$.

The LVR function is enabled by the code option.

It is typically used in AC line or large battery supplier applications, where heavy loads may be switched on and cause the MCU supply-voltage temporarily falls below the minimum specified operating voltage. This feature can protect system from working under bad power supply environment.



8.7 Watchdog Timer (WDT) and Reset State

8.7.1 Feature

- Auto detect Program Counter(PC) over range, and generate OVL Reset
- WDT runs even in the Power-Down mode
- Selectable different WDT overflow frequency

Watchdog Timer

The watchdog timer is a down counter, and its clock source is an independent built-in RC oscillator, so it always runs even in the Power-Down mode. The watchdog timer will generate a device reset when it overflows. It can be enabled or disabled permanently by the code option.

The watchdog timer control bits (WDT.2-0) are used to select different overflow frequency. The watchdog timer overflow flag (WDOF) will be automatically set to "1" by hardware when overflow happens. To prevent overflow happen, by reading or writing the WDT register RSTSTAT, the watchdog timer should re-count before the overflow happens.

OVL Reset

To enhance the anti-noise ability, SH79F1617A built in Program Counter (PC) over range detect circuit, if program counter value is larger than flash romsize, or detect operation code equal to A5H which is not exist in 8051 instruction set, a OVL reset will be generate to reset CPU, and set WDOF bit. So, to make use of this feature, you should fill unused flash rom with A5H.

There are also some reset flags in this register as below:



8.7.2 Register

Table 8.26 Reset Control Register

B1H	Bit7	Bit6	Bit5	Bit4	Bit3	Bit2	Bit1	Bit0
RSTSTAT	WDOF	-	PORF	LVRF	CLRF	WDT.2	WDT.1	WDT.0
R/W	R/W	-	R/W	R/W	R/W	R/W	R/W	R/W
Reset Value (POR)	0	-	1	0	0	0	0	0
Reset Value (WDT)	1	-	u	u	u	0	0	0
Reset Value (LVR)	u	-	u	1	u	0	0	0
Reset Value (PIN)	u	-	u	u	1	0	0	0

Bit Number	Bit Mnemonic	Description
7	WDOF	<p>Watch Dog Timer Overflow or OVL Reset Flag Set by hardware when WDT overflow or OVL reset happened, cleared by software or Power On Reset 0: Watch Dog not overflows and no OVL reset generated 1: Watch Dog overflow or OVL reset occurred</p>
5	PORF	<p>Power On Reset Flag Set only by Power On Reset, cleared only by software 0: No Power On Reset. 1: Power On Reset occurred.</p>
4	LVRF	<p>Low Voltage Reset Flag Set only by Low Voltage Reset, cleared by software or Power On Reset 0: No Low Voltage Reset occurs 1: Low Voltage Reset occurred</p>
3	CLRF	<p>Pin Reset Flag Set only by pin reset, cleared by software or Power On Reset 0: No Pin Reset occurs 1: Pin Reset occurred</p>
2-0	WDT[2:0]	<p>WDT Overflow period control bit 000: Overflow period minimal value = 2730.6ms 001: Overflow period minimal value = 682.6ms 010: Overflow period minimal value = 170.6ms 011: Overflow period minimal value = 85.3ms 100: Overflow period minimal value = 42.6ms 101: Overflow period minimal value = 10.6ms 110: Overflow period minimal value = 2.6ms 111: Overflow period minimal value = 0.6ms Notes: If WDT_opt is enable in application, you must clear Watchdog periodically, and the interval must be less than the value list above.</p>



8.8 Power Management

8.8.1 Feature

- Two power saving modes: Idle mode and Power-Down mode
- Two ways to exit Idle and Power-Down mode: interrupt and reset

To reduce power consumption, SH79F1617A supplies two power saving modes: Idle mode and Power-Down mode. These two modes are controlled by PCON & SUSLO register.

8.8.2 Idle Mode

In this mode, the clock to CPU is frozen, the program execution is halted, and the CPU will stop at a defined state. But the peripherals continue to be clocked. When entering idle mode, all the CPU status before entering will be preserved. Such as: PSW, PC, SFR & RAM are all retained.

By two consecutive instructions: setting SUSLO register as 0x55, and immediately followed by setting the IDL bit in PCON register, will make SH79F1617A enter Idle mode. If the consecutive instruction sequence requirement is not met, the CPU will clear either SUSLO register or IDL bit in the next machine cycle. And the CPU will not enter Idle mode. The setting of IDL bit will be the last instruction that CPU executed.

There are two ways to exit Idle mode:

- (1) An interrupt generated. After warm-up time, the clock to the CPU will be restored, and the hardware will clear SUSLO register and IDL bit in PCON register. Then the program will execute the interrupt service routine first, and then jumps to the instruction immediately following the instruction that activated Idle mode.
- (2) Reset signal (logic low on the RESET pin, WDT RESET if enabled, LVR REST if enabled), this will restore the clock to the CPU, the SUSLO register and the IDL bit in PCON register will be cleared by hardware, finally the SH79F1617A will be reset. And the program will execute from address 0000H. The RAM will keep unchanged and the SFR value might be changed according to different function module.

8.8.3 Power-Down Mode

The Power-Down mode places the SH79F1617A in a very low power state. Power-Down mode will stop all the clocks including CPU and peripherals. If WDT is enabled, WDT block will keep on working. When entering Power-Down mode, all the CPU status before entering will be preserved. Such as: PSW, PC, SFR & RAM are all retained.

By two consecutive instructions: setting SUSLO register as 0x55, and immediately followed by setting the PD bit in PCON register, will make SH79F1617A enter Power-Down mode. If the consecutive instruction sequence requirement is not met, the CPU will clear either SUSLO register or PD bit in the next machine cycle. And the CPU will not enter Power-Down mode.

The setting of PD bit will be the last instruction that CPU executed.

Note: If IDL bit and PD bit are set simultaneously, the SH79F1617A enters Power-Down mode. The CPU will not go in Idle mode when exiting from Power-Down mode, and the hardware will clear both IDL & PD bit after exit from Power-Down mode.

There are two ways to exit the Power-Down mode:

- (1) An active external Interrupt such as INT0, INT1 & INT4 will make SH79F1617A exit Power-Down mode. The oscillator will start after interrupt happens, after warm-up time, the clocks to the CPU and peripheral will be restored, the SUSLO register and PD bit in PCON register will be cleared by hardware. Program execution resumes with the interrupt service routine. After completion of the interrupt service routine, program execution resumes with the instruction immediately following the instruction that activated Power-Down mode.
- (2) Reset signal (logic low on the RESET pin, WDT RESET if enabled, LVR REST if enabled). This will restore the clock to the CPU after warm-up time, the SUSLO register and the PD bit in PCON register will be cleared by hardware, finally the SH79F1617A will be reset. And the program will execute from address 0000H. The RAM will keep unchanged and the SFR value might be changed according to different function module.

Note: In order to entering Idle/Power-Down, it is necessary to add 3 NOPs after setting IDL/PD bit in PCON.



8.8.4 Register

Table 8.27 Power Control Register

87H	Bit7	Bit6	Bit5	Bit4	Bit3	Bit2	Bit1	Bit0
PCON	SMOD	SSTAT	-	-	GF1	GF0	PD	IDL
R/W	R/W	R/W	-	-	R/W	R/W	R/W	R/W
Reset Value (POR/WDT/LVR/PIN)	0	0	-	-	0	0	0	0

Bit Number	Bit Mnemonic	Description
7	SMOD	Baud rate double bit
6	SSTAT	SCON[7:5] function selection bit
3-2	GF[1:0]	General purpose flags for software use
1	PD	Power-Down mode control bit 0: Cleared by hardware when an interrupt or reset occurs 1: Set by software to activate the Power-Down mode
0	IDL	Idle mode control bit 0: Cleared by hardware when an interrupt or reset occurs 1: Set by software to activate the Idle mode

Table 8.28 Suspend Mode Control Register

8EH	Bit7	Bit6	Bit5	Bit4	Bit3	Bit2	Bit1	Bit0
SUSLO	SUSLO.7	SUSLO.6	SUSLO.5	SUSLO.4	SUSLO.3	SUSLO.2	SUSLO.1	SUSLO.0
R/W	R/W	R/W	R/W	R/W	R/W	R/W	R/W	R/W
Reset Value (POR/WDT/LVR/PIN)	0	0	0	0	0	0	0	0

Bit Number	Bit Mnemonic	Description
7-0	SUSLO[7:0]	This register is used to control the CPU enter suspend mode (Idle or Power-Down). Only consecutive instructions like below will make CPU enter suspend mode. Other wise the either SUSLO, IDL or PD bit will be cleared by hardware in the next machine cycle.

Example:

```

IDLE_MODE:
    MOV     SUSLO, #55H
    ORL     PCON, #01H
    NOP
    NOP
    NOP

POWERDOWN_MODE:
    MOV     SUSLO, #55H
    ORL     PCON, #02H
    NOP
    NOP
    NOP
    
```



8.9 Warm-up Timer

8.9.1 Feature

- Built-in power on warm-up counter to eliminate unstable state of power on
- Built-in oscillator warm-up counter to eliminate unstable state when oscillation startup

SH79F1617A has a built-in power warm-up counter; it is designed to eliminate unstable state after power on or to do some internal initial operation such as read customer option etc.

SH79F1617A has also a built-in oscillator warm-up counter, it is designed to eliminate unstable state when oscillator starts oscillating in the following conditions: Power-on reset, Pin reset, LVR reset, Watchdog Reset and Wake up from Power-down mode.

After power-on, SH79F1617A will start power warm-up procedure first, and then oscillator warm-up procedure.

Power Warm-up Time

Power On Reset/ Pin Reset/ Low Voltage Reset		WDT Reset (Not in Power-Down Mode)		WDT Reset (Wakeup from Power-Down Mode)		Wakeup from Power-Down Mode (Only for interrupt)	
TPWRT**	OSC Warm up*	TPWRT**	OSC Warm up*	TPWRT**	OSC Warm up*	TPWRT**	OSC Warm up*
11ms	YES	1000CKs	NO	1000 CKs	YES	64CKs	YES

Note:

* This count clock is a 2MHz internal RC

** Oscillator warm-up time, please refer to the table below

OSC Warm-up Time

Option: OP_WMT	00	01	10	11
Oscillator Type				
Ceramic/Crystal	$2^{17} \times T_{osc}$	$2^{14} \times T_{osc}$	$2^{11} \times T_{osc}$	$2^8 \times T_{osc}$
Internal RC	$2^7 \times T_{osc}$			



8.10 Code Option

OP_OSC:

- 0000: Internal 12.3MHz RC oscillator (Default)
- 0001: Internal 16MHz RC oscillator
- 1110: Crystal oscillator or Ceramic resonator
- Others: Internal 12.3MHz RC oscillator

OP_CRMC:

- 0: Oscillator frequency is 2M-16M (Default)
- 1: Oscillator frequency is 400K-2M

OP_HPEN:

- 0: Oscillator frequency is 2M-12M (Default)
- 1: Oscillator frequency is 16M

Note: This Option is valid only when OP_CRMC = 0

OP_RST:

- 0: P1.7 used as RST pin (Default)
- 1: P1.7 used as I/O pin

OP_LVREN:

- 0: Disable LVR function (Default)
- 1: Enable LVR function

OP_LVRLE:

- 0: 4.1V LVR level 1 (Default)
- 1: 3.7V LVR level 2

OP_WDT:

- 0: Disable WDT function (Default)
- 1: Enable WDT function

OP_WDTPD:

- 0: Disable WDT function in Power-Down mode (Default)
- 1: Enable WDT function in Power-Down mode

Note: This Option is valid only when OP_WDT = 1

OP_WMT: (Unavailable for Internal RC)

- 00: longest warm up time (Default)
- 01: longer warm up time
- 10: shorter warm up time
- 11: shortest warm up time

OP_OVL:

- 0: Generated OVL reset
- 1: Generated OVL interrupt (Default)

OP_SCM:

- 0: SCM is valid in warm up period (Default)
- 1: SCM is invalid in warm up period



9. Instruction Set

ARITHMETIC OPERATIONS				
Opcode	Description	Code	Byte	Cycle
ADD A, Rn	Add register to accumulator	0x28-0x2F	1	1
ADD A, direct	Add direct byte to accumulator	0x25	2	2
ADD A, @Ri	Add indirect RAM to accumulator	0x26-0x27	1	2
ADD A, #data	Add immediate data to accumulator	0x24	2	2
ADDC A, Rn	Add register to accumulator with carry flag	0x38-0x3F	1	1
ADDC A, direct	Add direct byte to A with carry flag	0x35	2	2
ADDC A, @Ri	Add indirect RAM to A with carry flag	0x36-0x37	1	2
ADDC A, #data	Add immediate data to A with carry flag	0x34	2	2
SUBB A, Rn	Subtract register from A with borrow	0x98-0x9F	1	1
SUBB A, direct	Subtract direct byte from A with borrow	0x95	2	2
SUBB A, @Ri	Subtract indirect RAM from A with borrow	0x96-0x97	1	2
SUBB A, #data	Subtract immediate data from A with borrow	0x94	2	2
INC A	Increment accumulator	0x04	1	1
INC Rn	Increment register	0x08-0x0F	1	2
INC direct	Increment direct byte	0x05	2	3
INC @Ri	Increment indirect RAM	0x06-0x07	1	3
DEC A	Decrement accumulator	0x14	1	1
DEC Rn	Decrement register	0x18-0x1F	1	2
DEC direct	Decrement direct byte	0x15	2	3
DEC @Ri	Decrement indirect RAM	0x16-0x17	1	3
INC DPTR	Increment data pointer	0xA3	1	4
MUL AB	8 X 8 16 X 8	Multiply A and B	0xA4	1 20
DIV AB	8 / 8 16 / 8	Divide A by B	0x84	1 20
DA A	Decimal adjust accumulator	0xD4	1	1



LOGIC OPERATIONS				
Opcode	Description	Code	Byte	Cycle
ANL A, Rn	AND register to accumulator	0x58-0x5F	1	1
ANL A, direct	AND direct byte to accumulator	0x55	2	2
ANL A, @Ri	AND indirect RAM to accumulator	0x56-0x57	1	2
ANL A, #data	AND immediate data to accumulator	0x54	2	2
ANL direct, A	AND accumulator to direct byte	0x52	2	3
ANL direct, #data	AND immediate data to direct byte	0x53	3	3
ORL A, Rn	OR register to accumulator	0x48-0x4F	1	1
ORL A, direct	OR direct byte to accumulator	0x45	2	2
ORL A, @Ri	OR indirect RAM to accumulator	0x46-0x47	1	2
ORL A, #data	OR immediate data to accumulator	0x44	2	2
ORL direct, A	OR accumulator to direct byte	0x42	2	3
ORL direct, #data	OR immediate data to direct byte	0x43	3	3
XRL A, Rn	Exclusive OR register to accumulator	0x68-0x6F	1	1
XRL A, direct	Exclusive OR direct byte to accumulator	0x65	2	2
XRL A, @Ri	Exclusive OR indirect RAM to accumulator	0x66-0x67	1	2
XRL A, #data	Exclusive OR immediate data to accumulator	0x64	2	2
XRL direct, A	Exclusive OR accumulator to direct byte	0x62	2	3
XRL direct, #data	Exclusive OR immediate data to direct byte	0x63	3	3
CLR A	Clear accumulator	0xE4	1	1
CPL A	Complement accumulator	0xF4	1	1
RL A	Rotate accumulator left	0x23	1	1
RLC A	Rotate accumulator left through carry	0x33	1	1
RR A	Rotate accumulator right	0x03	1	1
RRC A	Rotate accumulator right through carry	0x13	1	1
SWAP A	Swap nibbles within the accumulator	0xC4	1	4



DATA TRANSFERS				
Opcode	Description	Code	Byte	Cycle
MOV A, Rn	Move register to accumulator	0xE8-0xEF	1	1
MOV A, direct	Move direct byte to accumulator	0xE5	2	2
MOV A, @Ri	Move indirect RAM to accumulator	0xE6-0xE7	1	2
MOV A, #data	Move immediate data to accumulator	0x74	2	2
MOV Rn, A	Move accumulator to register	0xF8-0xFF	1	2
MOV Rn, direct	Move direct byte to register	0xA8-0xAF	2	3
MOV Rn, #data	Move immediate data to register	0x78-0x7F	2	2
MOV direct, A	Move accumulator to direct byte	0xF5	2	2
MOV direct, Rn	Move register to direct byte	0x88-0x8F	2	2
MOV direct1, direct2	Move direct byte to direct byte	0x85	3	3
MOV direct, @Ri	Move indirect RAM to direct byte	0x86-0x87	2	3
MOV direct, #data	Move immediate data to direct byte	0x75	3	3
MOV @Ri, A	Move accumulator to indirect RAM	0xF6-0xF7	1	2
MOV @Ri, direct	Move direct byte to indirect RAM	0xA6-0xA7	2	3
MOV @Ri, #data	Move immediate data to indirect RAM	0x76-0x77	2	2
MOV DPTR, #data16	Load data pointer with a 16-bit constant	0x90	3	3
MOVC A, @A+DPTR	Move code byte relative to DPTR to A	0x93	1	7
MOVC A, @A+PC	Move code byte relative to PC to A	0x83	1	8
MOVX A, @Ri	Move external RAM (8-bit address) to A	0xE2-0xE3	1	5
MOVX A, @DPTR	Move external RAM (16-bit address) to A	0xE0	1	6
MOVX @Ri, A	Move A to external RAM (8-bit address)	0xF2-F3	1	4
MOVX @DPTR, A	Move A to external RAM (16-bit address)	0xF0	1	5
PUSH direct	Push direct byte onto stack	0xC0	2	5
POP direct	Pop direct byte from stack	0xD0	2	4
XCH A, Rn	Exchange register with accumulator	0xC8-0xCF	1	3
XCH A, direct	Exchange direct byte with accumulator	0xC5	2	4
XCH A, @Ri	Exchange indirect RAM with accumulator	0xC6-0xC7	1	4
XCHD A, @Ri	Exchange low-order nibble indirect RAM with A	0xD6-0xD7	1	4



PROGRAM BRANCHES					
Opcode		Description	Code	Byte	Cycle
ACALL addr11		Absolute subroutine call	0x11-0xF1	2	7
LCALL addr16		Long subroutine call	0x12	3	7
RET		Return from subroutine	0x22	1	8
RETI		Return from interrupt	0x32	1	8
AJMP addr11		Absolute jump	0x01-0xE1	2	4
LJMP addr16		Long jump	0x02	3	5
SJMP rel		Short jump (relative address)	0x80	2	4
JMP @A+DPTR		Jump indirect relative to the DPTR	0x73	1	6
JZ rel	(not taken) (taken)	Jump if accumulator is zero	0x60	2	3 5
JNZ rel	(not taken) (taken)	Jump if accumulator is not zero	0x70	2	3 5
JC rel	(not taken) (taken)	Jump if carry flag is set	0x40	2	2 4
JNC rel	(not taken) (taken)	Jump if carry flag is not set	0x50	2	2 4
JB bit, rel	(not taken) (taken)	Jump if direct bit is set	0x20	3	4 6
JNB bit, rel	(not taken) (taken)	Jump if direct bit is not set	0x30	3	4 6
JBC bit, rel	(not taken) (taken)	Jump if direct bit is set and clear bit	0x10	3	4 6
CJNE A, direct, rel	(not taken) (taken)	Compare direct byte to A and jump if not equal	0xB5	3	4 6
CJNE A, #data, rel	(not taken) (taken)	Compare immediate to A and jump if not equal	0xB4	3	4 6
CJNE Rn, #data, rel	(not taken) (taken)	Compare immediate to reg. and jump if not equal	0xB8-0xBF	3	4 6
CJNE @Ri, #data, rel	(not taken) (taken)	Compare immediate to Ri and jump if not equal	0xB6-0xB7	3	4 6
DJNZ Rn, rel	(not taken) (taken)	Decrement register and jump if not zero	0xD8-0xDF	2	3 5
DJNZ direct, rel	(not taken) (taken)	Decrement direct byte and jump if not zero	0xD5	3	4 6
NOP		No operation	0	1	1



BOOLEAN MANIPULATION				
Opcode	Description	Code	Byte	Cycle
CLR C	Clear carry flag	0xC3	1	1
CLR bit	Clear direct bit	0xC2	2	3
SETB C	Set carry flag	0xD3	1	1
SETB bit	Set direct bit	0xD2	2	3
CPL C	Complement carry flag	0xB3	1	1
CPL bit	Complement direct bit	0xB2	2	3
ANL C, bit	AND direct bit to carry flag	0x82	2	2
ANL C, /bit	AND complement of direct bit to carry	0xB0	2	2
ORL C, bit	OR direct bit to carry flag	0x72	2	2
ORL C, /bit	OR complement of direct bit to carry	0xA0	2	2
MOV C, bit	Move direct bit to carry flag	0xA2	2	2
MOV bit, C	Move carry flag to direct bit	0x92	2	3



10. Electrical Characteristics

Absolute Maximum Ratings*

DC Supply Voltage -0.3V to +6.0V
 Input/Output Voltage GND-0.3V to V_{DD}+0.3V
 Operating Ambient Temperature -40°C to +85°C
 Storage Temperature -55°C to +125°C

*Comments

Stresses exceed those listed under “**Absolute Maximum Ratings**” may cause permanent damage to this device. These are stress ratings only. Functional operation of this device at these or any other conditions above those indicated in the operational sections of this specification is not implied or intended. Exposure to the absolute maximum rating conditions for extended periods may affect device reliability.

DC Electrical Characteristics (V_{DD} = 3.6 - 5.5V, GND = 0V, T_A = -25°C, unless otherwise specified)

Parameter	Symbol	Min.	Typ.*	Max.	Unit	Condition
Operating Voltage	V _{DD}	3.6	5.0	5.5	V	400kHz ≤ f _{OSC} ≤ 16MHz
Operating Current	I _{OP1}	-	5	8	mA	f _{OSC} = 12MHz, V _{DD} = 5.0V All output pins unload (including all digital input pins unfloating) CPU on (execute NOP instruction), WDT on, all other function block off
	I _{OP2}	-	8	12	mA	f _{OSC} = 16MHz, V _{DD} = 5.0V All output pins unload (including all digital input pins unfloating) CPU on (execute NOP instruction), WDT on, all other function block off
Stand by Current (IDLE)	I _{SB1}	-	3	5	mA	f _{OSC} = 12MHz, V _{DD} = 5.0V All output pins unload (including all digital input pins unfloating) CPU on (execute NOP instruction), WDT on, all other function block off
	I _{SB2}	-	6	10	mA	f _{OSC} = 16MHz, V _{DD} = 5.0V All output pins unload (including all digital input pins unfloating) CPU on (execute NOP instruction), WDT on, all other function block off
Stand by Current (Power-Down)	I _{SB3}	-	-	15	μA	Osc off, V _{DD} = 5.0V All output pins unload(including all digital input pins unfloating), CPU off (Power-Down), LVR off, LCD off, WDT off, all other function block off
WDT Current	I _{WDT}	-	1	3	μA	All output pins unload, WDT on, V _{DD} = 5.0V
Input Low Voltage 1	V _{IL1}	GND	-	0.3 X V _{DD}	V	I/O Ports
Input High Voltage 1	V _{IH1}	0.7 X V _{DD}	-	V _{DD}	V	I/O Ports
Input Low Voltage 2	V _{IL2}	GND	-	0.2 X V _{DD}	V	RESET, T0, T1, T2, INT0/1/2/3/4, SCK, T2EX, RXD (RXDCON[0] = 0), SS, FLT, MISO, MOSI
Input High Voltage 2	V _{IH2}	0.8 X V _{DD}	-	V _{DD}	V	RESET, T0, T1, T2, INT0/1/2/3/4, SCK, T2EX, RXD (RXDCON[0] = 0), SS, FLT, MISO, MOSI
Input Low Voltage 3	V _{IL3}	GND	-	0.2 X V _{DD}	V	RXD (RXDCON[0] = 1), V _{DD} = 3.6 - 5.5V
Input High Voltage 3	V _{IH3}	0.55 X V _{DD}	-	V _{DD}	V	RXD (RXDCON[0] = 1), V _{DD} = 3.6 - 5.5V

(to be continued)



(continue)

Input Leakage Current	I_{IL}	-1	-	1	μA	Input pad, $V_{IN} = V_{DD}$ or GND
Output Leakage Current	I_{OL}	-1	-	1	μA	Open-drain, $V_{out} = V_{DD}$ or GND
Pull-high Resistor	R_{PH}	-	20	-	$\text{k}\Omega$	$V_{DD} = 5.0\text{V}$, $V_{IN} = \text{GND}$
Output High Voltage	V_{OH}	$V_{DD} - 0.7$	-	-	V	I/O Ports, $I_{OH} = -10\text{mA}$, $V_{DD} = 5.0\text{V}$
Output Low Voltage	V_{OL1}	-	-	GND + 0.6	V	I/O Ports, $I_{OL} = 15\text{mA}$, $V_{DD} = 5.0\text{V}$
Sink current ability of strong drive port	I_{OL}	120	140	-	mA	I/O Ports (P3.0-P3.2, P3.5, P2.0-P2.3) $V_{DD} = 5.0\text{V}$, $V_{OL} = 1.5\text{V}$

Note:

(1) "*" Data in "Typ." Column is at 5.0V, 25°C, unless otherwise specified.

 (2) Maximum value of the supply current to V_{DD} is 150mA.

(3) Maximum value of the output current from GND is 200mA.

A/D Converter Electrical Characteristics ($V_{DD} = 3.6 - 5.5\text{V}$, GND = 0V, $T_A = -25^\circ\text{C}$, unless otherwise specified)

Parameter	Symbol	Min.	Typ.	Max.	Unit	Condition
Supply Voltage	V_{AD}	3.6	5.0	5.5	V	
Resolution	N_R	-	10	-	bit	$\text{GND} \leq V_{AIN} \leq V_{REF}$
A/D Input Voltage	V_{AIN}	GND	-	V_{REF}	V	
A/D Input Resistor*	R_{AIN}	2	-	-	$\text{M}\Omega$	$V_{IN} = 5.0\text{V}$
Recommended impedance of analog voltage source	Z_{AIN}	-	-	10	$\text{k}\Omega$	
A/D conversion current	I_{AD}	-	1	3	mA	ADC module operating, $V_{DD} = 5.0\text{V}$
A/D Input current	I_{ADIN}	-	-	10	μA	$V_{DD} = 5.0\text{V}$
Differential linearity error	D_{LE}	-	-	± 1	LSB	$V_{DD} = 5.0\text{V}$
Integral linearity error	I_{LE}	-	-	± 2	LSB	$V_{DD} = 5.0\text{V}$
Full scale error	E_F	-	± 1	± 3	LSB	$V_{DD} = 5.0\text{V}$
Offset error	E_Z	-	± 0.5	± 2	LSB	$V_{DD} = 5.0\text{V}$
Total Absolute error	E_{AD}	-	-	± 3	LSB	$V_{DD} = 5.0\text{V}$
Total Conversion time**	T_{CON}	14	-	-	t_{AD}	10 bit Resolution, $V_{DD} = 5.0\text{V}$

Note:

(1) "*" Here the A/D input Resistor is the DC input-resistance of A/D itself.

 (2) "****" Recommendations ADC connected signal source resistance of less than 10k Ω .



SH79F1617A

AC Electrical Characteristics ($V_{DD} = 3.6V - 5.5V$, $GND = 0V$, $T_A = 25^\circ C$, $f_{OSC} = 16.6MHz$, unless otherwise specified)

Parameter	Symbol	Min.	Typ.	Max.	Unit	Condition
RESET pulse width	t_{RESET}	10	-	-	μs	Low active
RESET Pull-high Resistor	R_{RPH}	-	100	-	$k\Omega$	$V_{DD} = 5.0V$, $V_{IN} = GND$
RC1 Frequency	f_{RC1}	-	12.3	-	MHz	$V_{DD} = 5V$
RC2 Frequency	F_{RC2}	-	16	-	MHz	$V_{DD} = 5V$
Frequency Stability (RC 12.3MHz)	$ \Delta F_1 /F_1$	-	-	0.5	%	RC Oscillator 1: F-12.3MHz /12.3MHz ($V_{DD} = 3.6 - 5.5V$, $T_A = +25^\circ C$)
		-	-	2	%	RC Oscillator 1: F-12.3MHz /12.3MHz ($V_{DD} = 3.6 - 5.5V$, $T_A = -40^\circ C \sim 85^\circ C$)
Frequency Stability (RC 16MHz)	$ \Delta F_2 /F_2$	-	-	0.5	%	RC Oscillator 2: F-16MHz /16MHz ($V_{DD} = 3.6 - 5.5V$, $T_A = +25^\circ C$)
		-	-	2	%	RC Oscillator 2: F-16MHz /16MHz ($V_{DD} = 3.6 - 5.5V$, $T_A = -40^\circ C \sim 85^\circ C$)

Low Voltage Reset Electrical Characteristics ($V_{DD} = 3.3V - 5.5V$, $GND = 0V$, $T_A = +25^\circ C$, unless otherwise specified)

Parameter	Symbol	Min.	Typ.	Max.	Unit	Condition
LVR Voltage1	V_{LVR}	4.0	4.1	4.2	V	LVR1 enabled $V_{DD} = 3.6V - 5.5V$
LVR Voltage2	V_{LVR}	3.6	3.7	3.8	V	LVR2 enabled $V_{DD} = 3.6V - 5.5V$
Drop-Down Pulse Width for LVR	T_{LVR}	-	30	-	μs	



11. Ordering Information

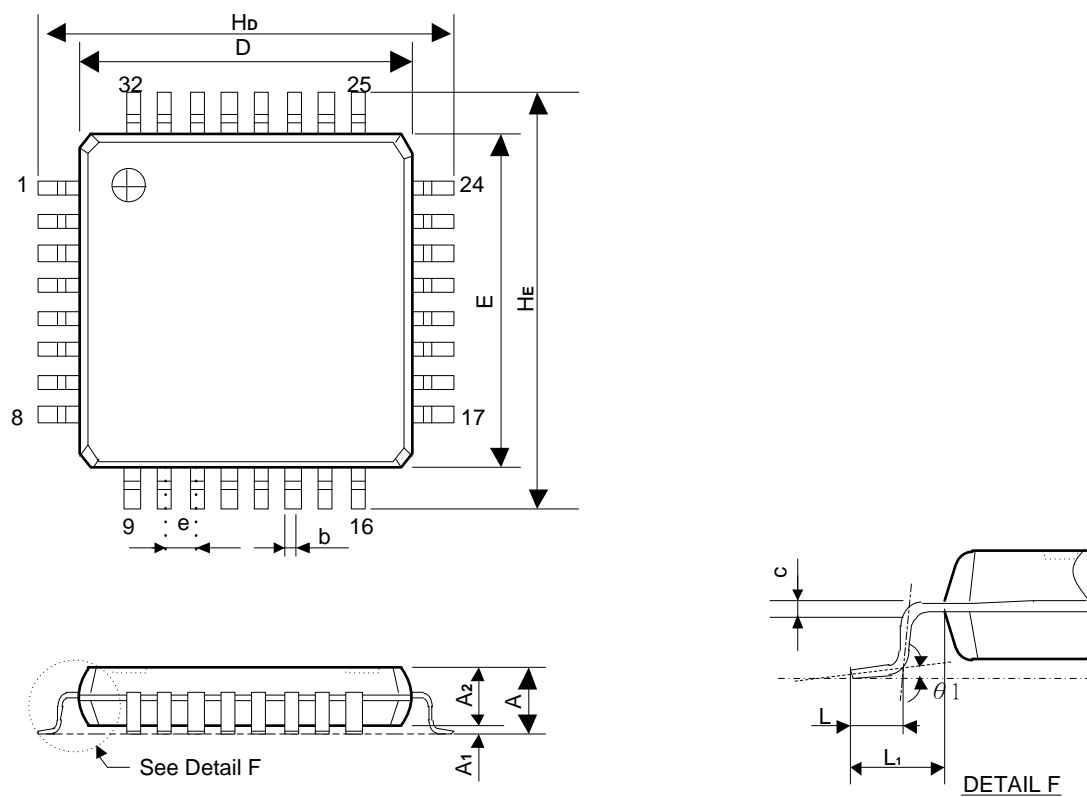
Part No.	Package
SH79F1617AP/032PR	32 LQFP



12. Package Information

LQFP32 Outline Dimensions

unit: inch/mm



Symbol	Dimensions in inches		Dimensions in mm	
	MIN	MAX	MIN	MAX
A	0.057	0.065	1.45	1.65
A1	0.000	0.008	0.01	0.21
A2	0.051	0.059	1.30	1.50
D	0.268	0.281	6.80	7.15
E	0.268	0.281	6.80	7.15
H _D	0.346	0.362	8.80	9.20
H _E	0.346	0.362	8.80	9.20
b	0.010	0.017	0.25	0.44
e	0.031 TYP		0.8 TYP	
c	0.005 TYP		0.127 TYP	
L	0.016	0.031	0.40	0.78
L1	0.035	0.043	0.90	1.10
θ ₁	0°	10°	0°	10°



13. Product SPEC. Change Notice

Version	Content	Date
1.0	Original	Nov. 2016



Content

- 1. FEATURES..... 1**
- 2. GENERAL DESCRIPTION..... 1**
- 3. BLOCK DIAGRAM..... 2**
- 4. PIN CONFIGURATION..... 3**
- 5. PIN DESCRIPTION..... 5**
- 6. SFR MAPPING 7**
- 7. NORMAL FUNCTION..... 14**
 - 7.1 CPU 14
 - 7.1.1 CPU Core SFR 14
 - 7.1.2 Enhanced CPU core SFRs..... 15
 - 7.2 RAM..... 16
 - 7.3 FLASH PROGRAM MEMORY 17
 - 7.3.1 Features..... 17
 - 7.3.2 Flash Operation in ICP Mode 18
 - 7.4 SSP FUNCTION..... 19
 - 7.4.1 SSP Register 19
 - 7.4.2 Flash Control Flow 21
 - 7.4.3 SSP Programming Notice 22
 - 7.5 SYSTEM CLOCK AND OSCILLATOR..... 23
 - 7.5.1 Feature 23
 - 7.5.2 Clock Definition..... 23
 - 7.5.3 Oscillator Type 24
 - 7.5.4 Capacitor Selection for Oscillator..... 24
 - 7.6 SYSTEM CLOCK MONITOR (SCM) 25
 - 7.7 I/O PORT..... 26
 - 7.7.1 Feature 26
 - 7.7.2 Register..... 26
 - 7.7.3 Port Diagram..... 27
 - 7.7.4 Port Share..... 28
 - 7.8 TIMER..... 32
 - 7.8.1 Feature 32
 - 7.8.2 Timer0/1 32
 - 7.8.3 Timer2 36
 - 7.9 INTERRUPT..... 42
 - 7.9.1 Feature 42
 - 7.9.2 Program Over Range Interrupt (OVL) 42
 - 7.9.3 Interrupt Enable Control..... 43
 - 7.9.4 Interrupt Flag..... 45
 - 7.9.5 Interrupt Vector..... 47
 - 7.9.6 Interrupt Priority..... 47
 - 7.9.7 Interrupt Handling..... 48
 - 7.9.8 Interrupt Response Time..... 48
 - 7.9.9 External Interrupt Inputs..... 49
 - 7.9.10 Interrupt Summary..... 49
- 8. ENHANCED FUNCTION 50**
 - 8.1 PWM (PULSE WIDTH MODULATION) 50
 - 8.1.1 Feature 50
 - 8.1.2 12-bit PWM Timer..... 51
 - 8.1.3 8-bit PWM Timer..... 54
 - 8.1.4 PWM01/11/21..... 57
 - 8.1.5 Dead Time 57
 - 8.2 SERIAL PERIPHERAL INTERFACE (SPI) 59
 - 8.2.1 Features..... 59
 - 8.2.2 Signal Description 59



8.2.3 Baud Rate	60
8.2.4 Functional Description.....	60
8.2.5 Operating Modes.....	61
8.2.6 Transmission Formats	63
8.2.7 Error Conditions.....	64
8.2.8 Interrupts.....	64
8.2.9 Registers.....	65
8.3 EUART.....	67
8.3.1 Feature.....	67
8.3.2 EUART Mode Description.....	67
8.3.3 Baud Rate Generate.....	72
8.3.4 Multi-Processor Communication.....	72
8.3.5 Error Detection	73
8.3.6 Register.....	74
8.4 ANALOG DIGITAL CONVERTER (ADC)	77
8.4.1 Feature	77
8.4.2 ADC Diagram.....	77
8.4.3 ADC Register.....	78
8.5 BUZZER	81
8.5.1 Feature	81
8.5.2 Register.....	81
8.6 LOW VOLTAGE RESET (LVR).....	82
8.6.1 Feature	82
8.7 WATCHDOG TIMER (WDT) AND RESET STATE	83
8.7.1 Feature	83
8.7.2 Register.....	84
8.8 POWER MANAGEMENT	85
8.8.1 Feature	85
8.8.2 Idle Mode.....	85
8.8.3 Power-Down Mode.....	85
8.8.4 Register.....	86
8.9 WARM-UP TIMER	87
8.9.1 Feature	87
8.10 CODE OPTION	88
9. INSTRUCTION SET.....	89
10. ELECTRICAL CHARACTERISTICS	94
11. ORDERING INFORMATION.....	97
12. PACKAGE INFORMATION.....	98
13. PRODUCT SPEC. CHANGE NOTICE	99