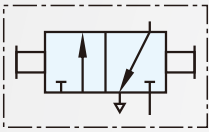


Symbol



Features

- * The valve cut air source effectively and quickly.
- * Hole lockable design to increase safety.
- * Positioning mechanism ensures to cut air supply entirely.
- * See following drawing for connection with FRL.



How to order

SHV
02
N

Shut-off valve

Port size

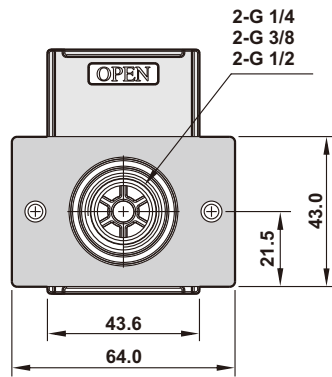
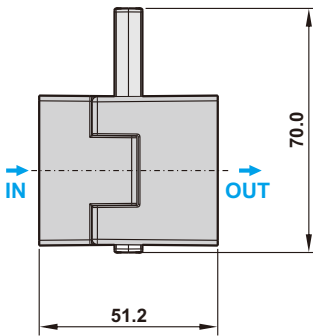
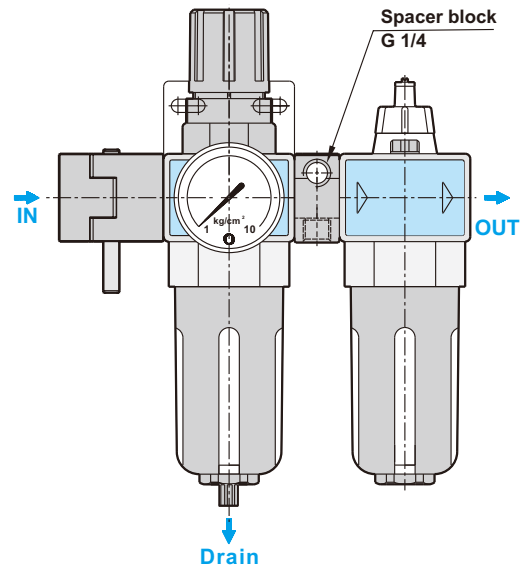
Thread

SHV	3/2 way
-----	---------

02	1/4"
03	3/8"
04	1/2"

Blank	G
N	NPT
R	Rc

Dimensions


 2-G 1/4
 2-G 3/8
 2-G 1/2


Specifications

Model	SHV-02	SHV-03	SHV-04
Port size	1/4"	3/8"	1/2"
Fluid	Compressed air		
Body material	Aluminum die-cast		
Shut-off panel material	Polycarbonate		
Operating pressure range	0.5 ~ 12 kgf/cm ²		
Proof pressure	15 kgf/cm ²		
CV value	4.0	8.0	8.0
Ambient temperature	-10°C ~ 60°C		
Net weight	350g		