

SI-7201A

Stepping Motor Driver

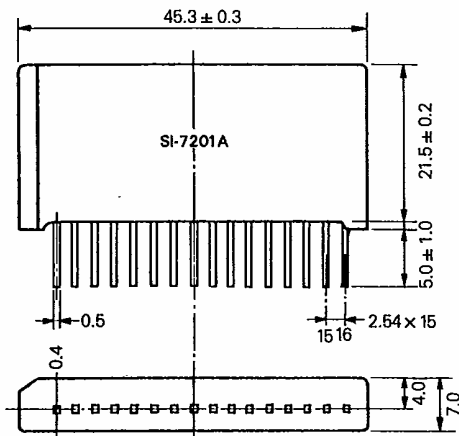
Absolute Maximum Ratings (T_a = 25°C)

Description	Symbol	Unit	Rating
Supply Voltage	V _{cc}	V	70
Output Suction Current	I _{sink}	mA	16
Junction Temperature	T _j	°C	125
Operating Temperature	T _{op}	°C	-20 ~ +80
Storage Temperature	T _{stg}	°C	-30 ~ +100

Electrical Characteristics (T_a = 25°C)

Description	Symbol	Unit	Rating			Remark
			MIN	TYP	MAX	
Supply Voltage	V _{cc}	V	20		50	
Reference Voltage	V _{ref}	mV	750	800	850	power down
			450	480	500	
Output Suction Current	I _{sink}	mA			10	
Oscillation Frequency	f	kHz	19	23	24	
Circuit Current (power down)	I _{pd}	mA			1	

Outline Drawings Unit: mm



Internal Circuit

