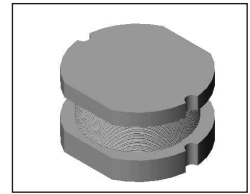


SMT Power Inductor

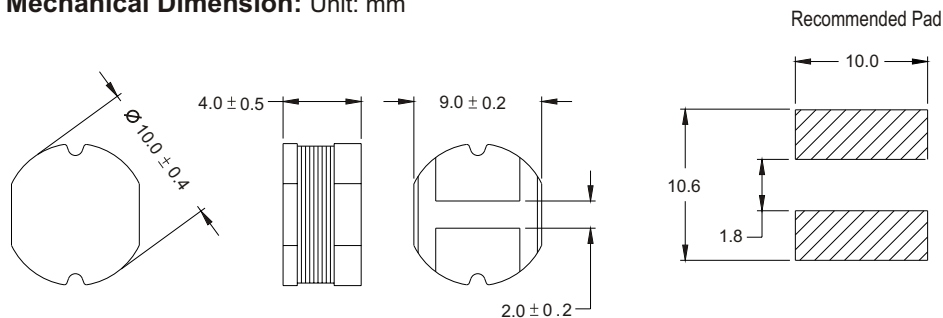
SI104 Type

Features

- Low profile (4.5mm max. height) SMD type.
- Unshielded.
- Self-leads, suitable for high density mounting.
- High energy storage and low DCR.
- Provided with embossed carrier tape packing.
- Ideal for power source circuits, DC-DC converter, DC-AC inverters inductor application.
- In addition to the standard versions shown here, custom inductors are available to meet your exact requirements.

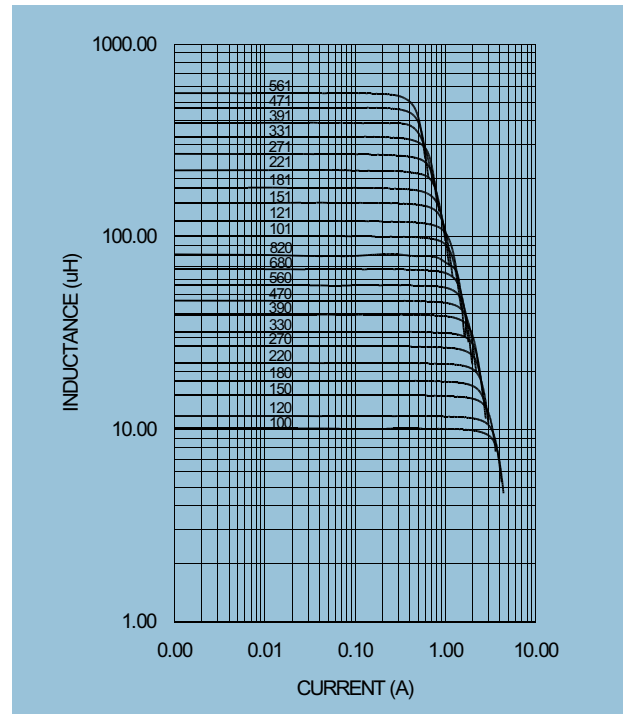


Mechanical Dimension: Unit: mm



Electrical Characteristics:

PART NO.	L* (uH)	DCR (Ω) MAX	I _{RATED} ** (A)
SI104 - 100	10	0.053	2.4
SI104 - 120	12	0.061	2.2
SI104 - 150	15	0.070	1.9
SI104 - 180	18	0.081	1.8
SI104 - 220	22	0.088	1.6
SI104 - 270	27	0.100	1.5
SI104 - 330	33	0.120	1.3
SI104 - 390	39	0.151	1.2
SI104 - 470	47	0.170	1.1
SI104 - 560	56	0.199	1.0
SI104 - 680	68	0.223	0.91
SI104 - 820	82	0.252	0.85
SI104 - 101	100	0.344	0.74
SI104 - 121	120	0.396	0.69
SI104 - 151	150	0.544	0.61
SI104 - 181	180	0.621	0.56
SI104 - 221	220	0.721	0.53
SI104 - 271	270	0.949	0.45
SI104 - 331	330	1.100	0.42
SI104 - 391	390	1.245	0.38
SI104 - 471	470	1.526	0.35
SI104 - 561	560	1.904	0.32



★ Tolerance of inductance
10~560uH±10%

★★ I_{RATED}: rated current. ΔL<10%, ΔT<45°C at I_{RATED}

★★★ Operating temperature: -20°C to 105°C (including self-temperature rise)

★★★★ Test condition at 25°C: 1KHz, 1V



DELTA ELECTRONICS, INC.

(TAOYUAN PLANT CPBG) 252, SAN YING ROAD, KUEISAN INDUSTRIAL ZONE, TAOYUAN SHIEN, 333, TAIWAN, R.O.C.

TEL: 886-3-3591968; FAX: 886-3-3591991

<http://www.deltawww.com>