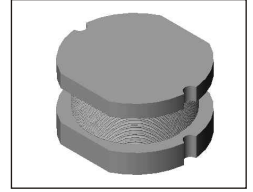


SMT Power Inductor

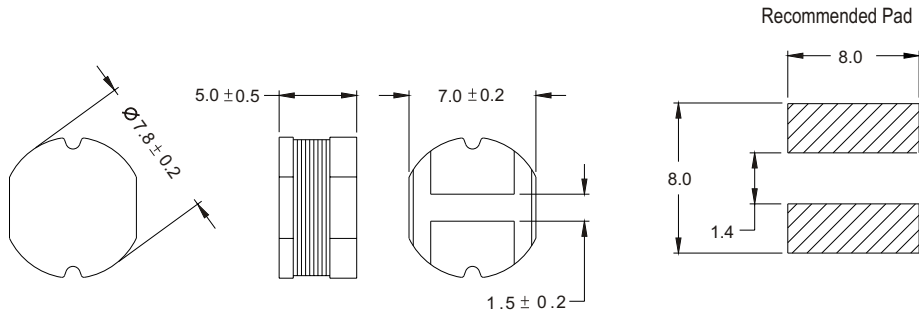
SI85 Type

Features

- Low profile (5.5mm max. height) SMD type.
- Unshielded.
- Self-leads, suitable for high density mounting.
- High energy storage and low DCR.
- Provided with embossed carrier tape packing.
- Ideal for power source circuits, DC-DC converter, DC-AC inverters inductor application.
- In addition to the standard versions shown here, custom inductors are available to meet your exact requirements.

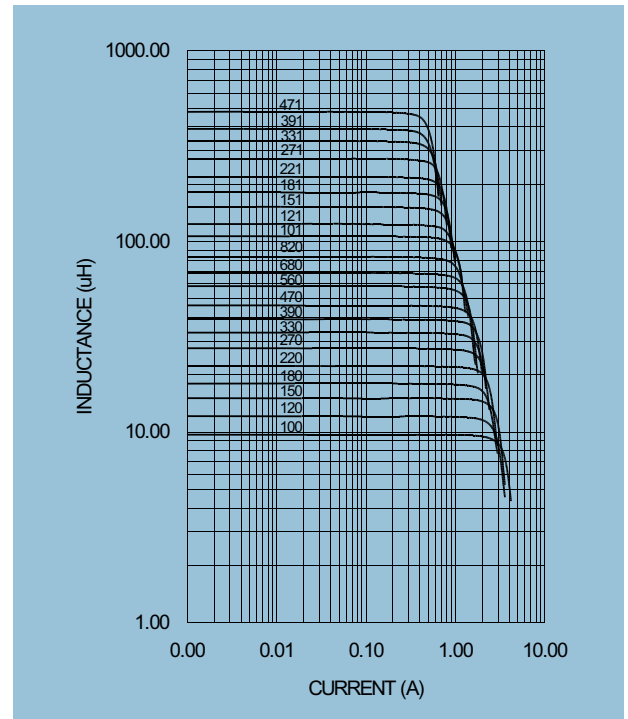


Mechanical Dimension: Unit: mm



Electrical Characteristics:

PART NO.	L* (uH)	DCR (Ω) MAX	I _{RATED} ** (A dc)
SI85 - 100	10	0.07	2.3
SI85 - 120	12	0.08	2.0
SI85 - 150	15	0.09	1.8
SI85 - 180	18	0.10	1.6
SI85 - 220	22	0.11	1.5
SI85 - 270	27	0.12	1.4
SI85 - 330	33	0.13	1.3
SI85 - 390	39	0.16	1.2
SI85 - 470	47	0.18	1.1
SI85 - 560	56	0.24	0.94
SI85 - 680	68	0.28	0.85
SI85 - 820	82	0.37	0.78
SI85 - 101	100	0.43	0.72
SI85 - 121	120	0.47	0.66
SI85 - 151	150	0.64	0.58
SI85 - 181	180	0.71	0.51
SI85 - 221	220	0.96	0.49
SI85 - 271	270	1.11	0.42
SI85 - 331	330	1.26	0.40
SI85 - 391	390	1.77	0.36
SI85 - 471	470	1.96	0.34



★ Tolerance of inductance
10~470uH±10%

★★ I_{RATED}: rated current. ΔL<10%, ΔT<45°C at I_{RATED}

★★★ Operating temperature: -20°C to 105°C (including self-temperature rise)

★★★★ Test condition at 25°C: 1KHz, 1V



DELTA ELECTRONICS, INC.

(TAOYUAN PLANT CPBG) 252, SAN YING ROAD, KUEISAN INDUSTRIAL ZONE, TAOYUAN SHIEN, 333, TAIWAN, R.O.C.

TEL: 886-3-3591968; FAX: 886-3-3591991

<http://www.deltaww.com>