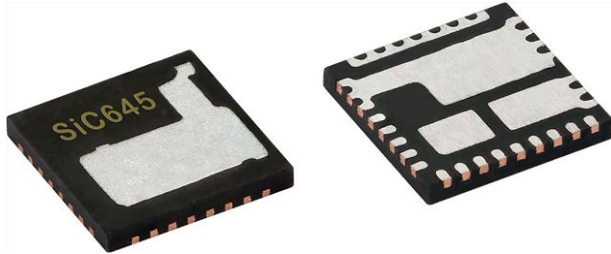


# 60 A VRPower® Smart Power Stage (SPS) Module with Integrated High-Accuracy Current and Temperature Monitors



## DESCRIPTION

The SiC645 is a smart VRPower® device that integrates a high side and low side MOSFET, a high performance driver with integrated bootstrap FET. The SiC645 offers high accuracy current and temperature monitors that can be fed back to the controller and doubler to complete a multiphase DC/DC system. They simplify design and increase performance by eliminating the DCR sensing network and associated thermal compensation. Light-load efficiency is supported via a dedicated left control pin. An industry leading thermally enhanced dual cooled, 5 mm x 5 mm PowerPAK® MLP package allows minimal overall PCB real estate and low-profile construction.

The devices feature a 3.3 V (SiC645A) or 5 V (SiC645) compatible tri-state PWM input that, working together with multiphase PWM controllers, will provide a robust solution in the event of abnormal operating conditions. The SiC645 also improves system performance and reliability with integrated fault protection of UVLO, over-temperature and over-current. An open-drain fault reporting pin simplifies the handshake between the smart VRPower device and multiphase controllers and can be used to disable the controller during start-up and fault conditions.

## TYPICAL APPLICATION DIAGRAM

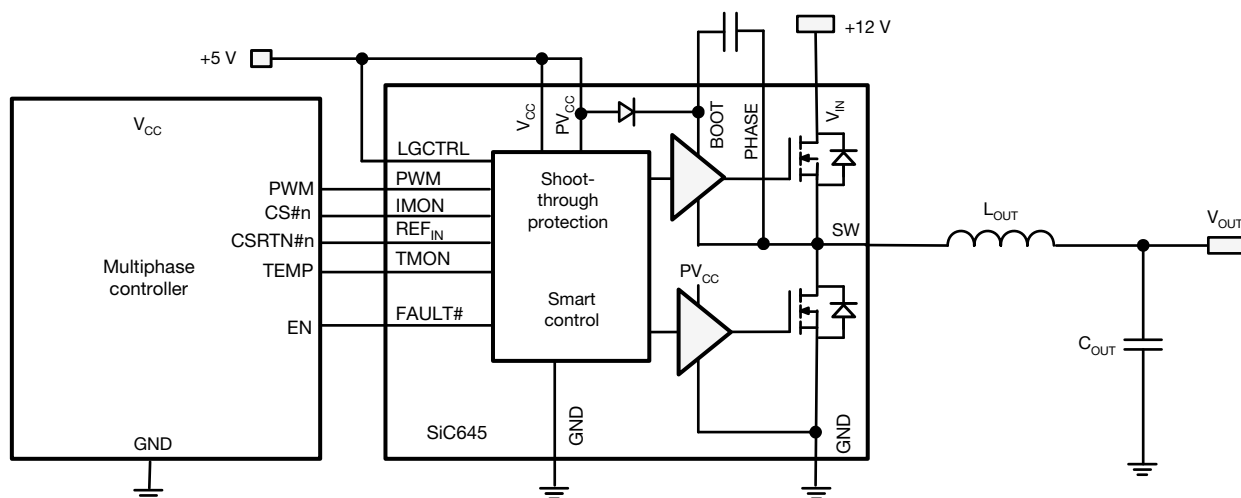


Fig. 1 - SiC645 Typical Application Block Diagram

## FEATURES

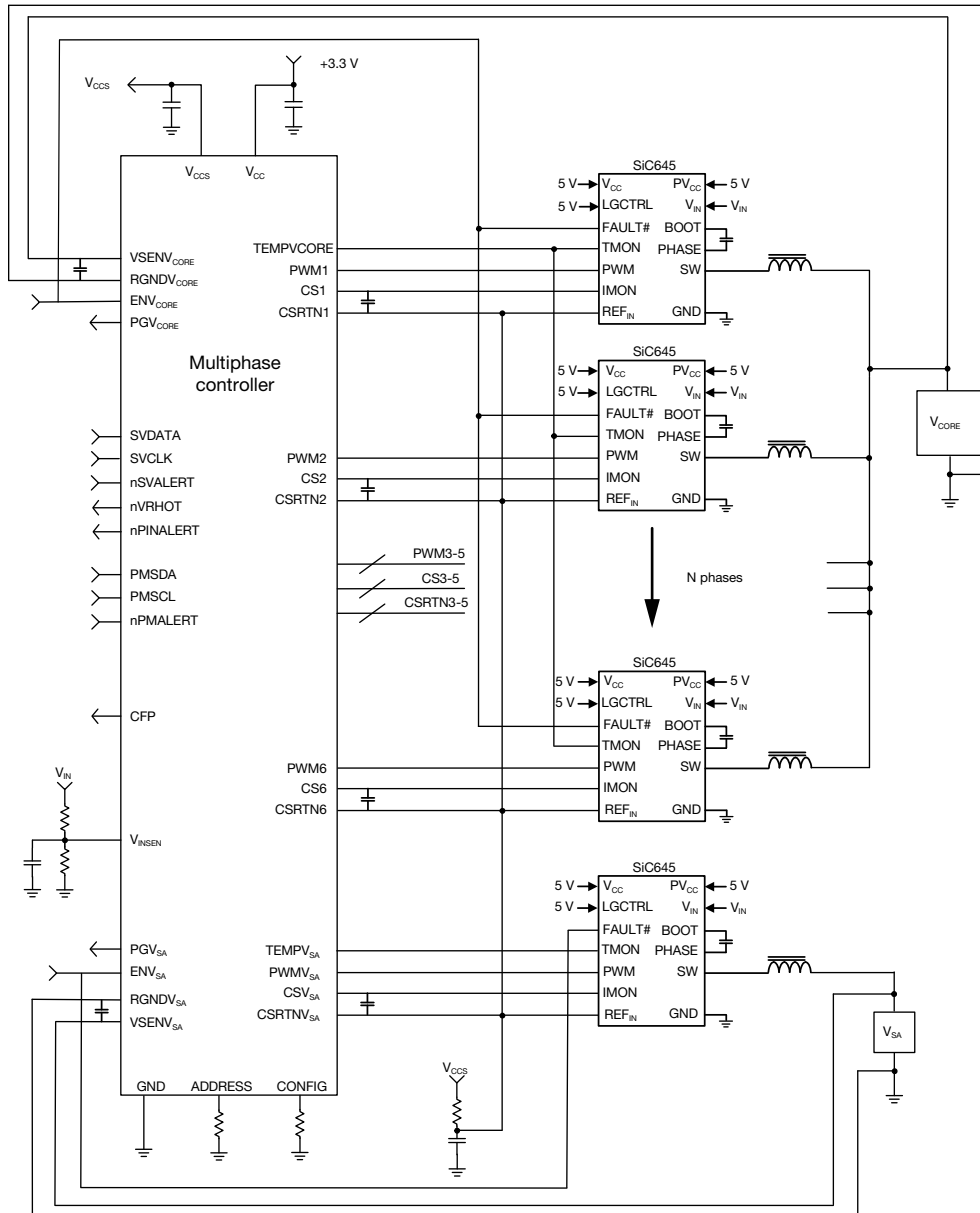
- Input range: 4.5 V to 18 V
- Supports 60 A DC current
- Compatible with 3.3 V (SiC645A) and 5 V (SiC645) tri-state PWM
- Down slope current sensing
- $\pm 3\%$  accuracy current monitor (IMON) with  $REF_{IN}$  input
- 8 mV/°C temperature monitor with OT flag
- Dedicated low-side FET control input
- Fault protection
  - High-side FET short and over-current protection
  - Over-temperature protection
  - $V_{CC}$  and  $V_{IN}$  under voltage lockout (UVLO)
- Open drain fault reporting output
- Up to 2 MHz switching frequency
- Material categorization: for definitions of compliance please see [www.vishay.com/doc?99912](http://www.vishay.com/doc?99912)



**RoHS**  
COMPLIANT  
HALOGEN  
**FREE**

## APPLICATIONS

- High frequency and high efficiency VRM and VRD
- Core, graphic, and memory regulators for microprocessors
- High density VR for server, networking, and cloud computing
- POL DC/DC converters and video gaming consoles

**TYPICAL APPLICATION CIRCUIT WITH SiC645**

**Fig. 2 - Typical Application Circuit**

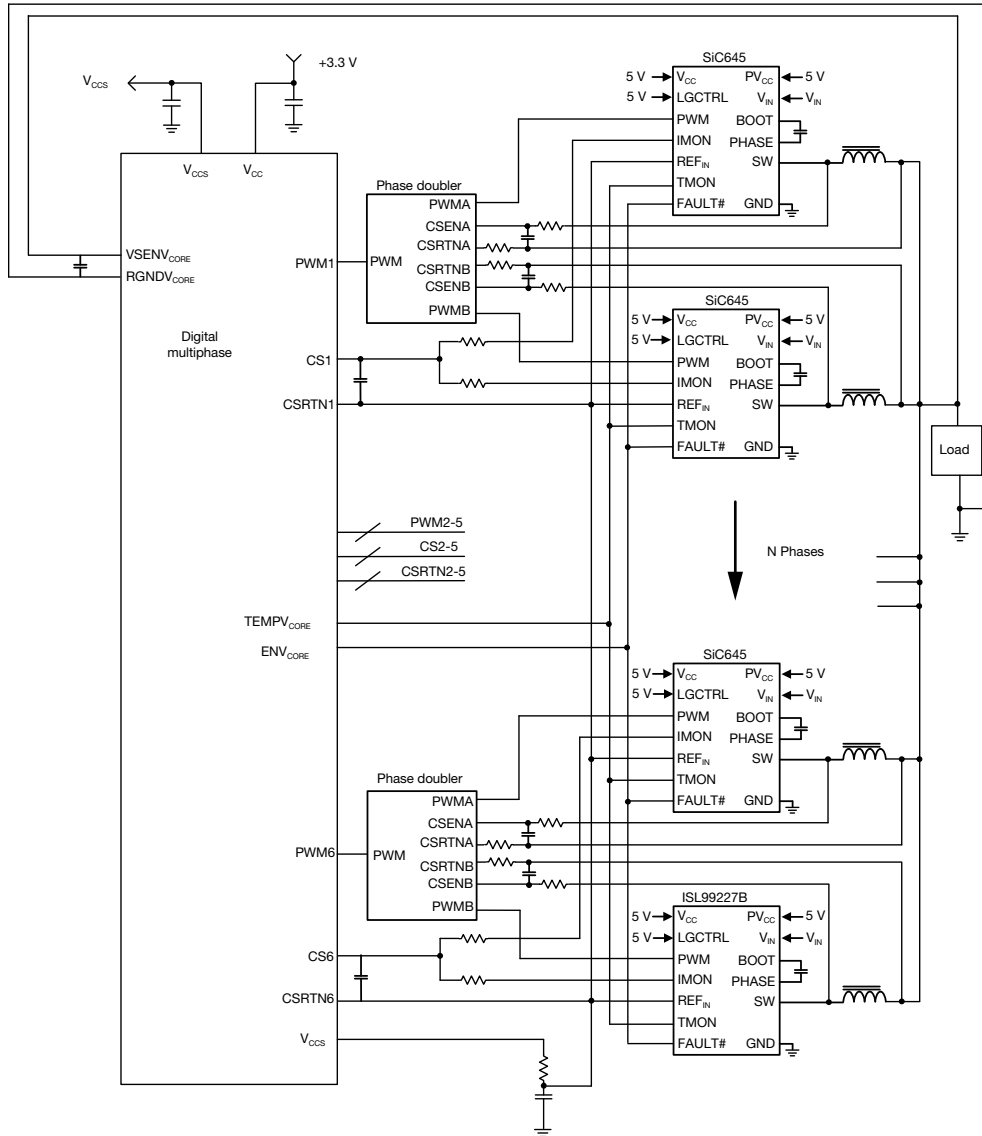
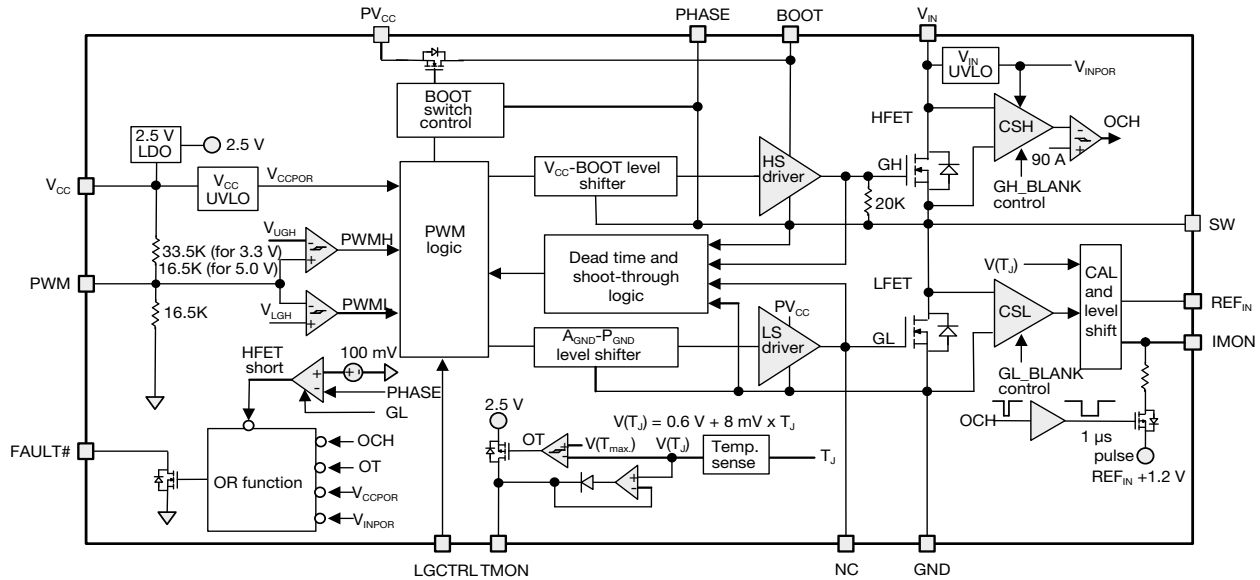
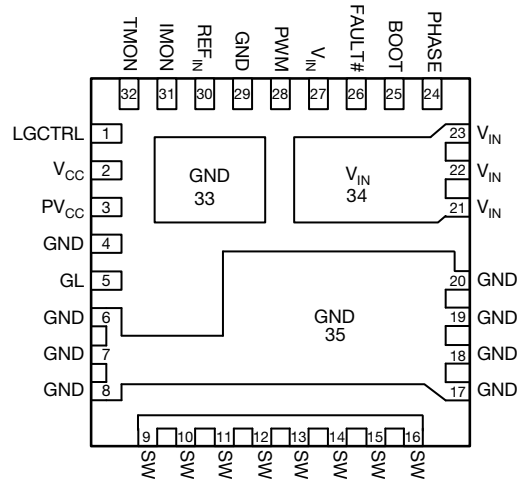


Fig. 3 - Typical Application Circuit

**FUNCTIONAL BLOCK DIAGRAM**

**Fig. 4 - Functional Block Diagram**

| ORDERING INFORMATION |              |                        |               |                                |
|----------------------|--------------|------------------------|---------------|--------------------------------|
| PART NUMBER          | MARKING CODE | TEMPERATURE RANGE (°C) | PWM INPUT (V) | PACKAGE (RoHS-compliant)       |
| SiC645ADR-T1-GE3     | 45D          | -40 to +85             | 3.3           | Dual Cooled PowerPAK MLP55-32L |
| SiC645ALR-T1-GE3     | 45L          | -10 to +100            | 3.3           | Dual Cooled PowerPAK MLP55-32L |
| SiC645AER-T1-GE3     | 45E          | -40 to +125            | 3.3           | Dual Cooled PowerPAK MLP55-32L |
| SiC645ER-T1-GE3      | 45E          | -40 to +125            | 5             | Dual Cooled PowerPAK MLP55-32L |

**PINOUT CONFIGURATION**

**Fig. 5 - SiC645 Pinout Configuration**

| PIN CONFIGURATION                      |                   |  |
|--|-------------------|--|
| PIN NUMBER                             | NAME              | FUNCTION   |
| 1                                      | LGCTRL            | Lower gate control signal input. LO = GL LO (LFET off). HI = normal operation (GL and GH strictly obey PWM). This pin should be driven with a logic signal, or externally tied high if not required; it should not be left floating.   |
| 2                                      | V <sub>CC</sub>   | +5 V logic bias supply. Place a high quality low ESR ceramic capacitor (~1 μF/X7R) in close proximity from this pin to GND.  |
| 3                                      | PV <sub>CC</sub>  | +5 V gate drive bias supply. Place a high quality low ESR ceramic capacitor (~1 μF/X7R) in close proximity from this pin to GND.   |
| 4, 6, 7, 8, 17, 18, 19, 20, 29, 33, 35 | GND               | GND pins are internally connected. Pins 4 and 29 should be connected directly to the nearby GND paddles on package bottom. Fig. 15 shows GND paddles should be connected to the system GND plane with as many vias as possible to maximize thermal and electrical performance.   |
| 5                                      | NC                | No connect (This is a low-side gate driver output (GL), optional to monitor for system debugging).   |
| 9, 10, 11, 12, 13, 14, 15, 16          | SW                | Switching junction node between HFET source and LFET drain. Connect directly to output inductor.   |
| 21, 22, 23, 27, 34                     | V <sub>IN</sub>   | Input of power stage (to drain of HFET). Place at least 2 ceramic capacitors (10 μF or higher, X5R or X7R) in close proximity across V <sub>IN</sub> and GND. Pin 27 should not be used for decoupling. For optimal performance, place as many vias as possible in the bottom side V <sub>IN</sub> paddle.   |
| 24                                     | PHASE             | Return of boot capacitor. Internally connected to SW node so no external routing required for SW connection.   |
| 25                                     | BOOT              | Floating bootstrap supply pin for the upper gate drive. Place a high quality low ESR ceramic capacitor (0.1 μF/X7R to 0.22 μF/X7R) in close proximity across BOOT and PHASE pins.  |
| 26                                     | FAULT#            | Open drain output pin. Any fault (over-current, over-temperature, shorted HFET, or POR / UVLO) will pull this pin to ground. This pin may be connected to the controller enable pin or used to signal a fault at the system level.   |
| 28                                     | PWM               | PWM input of gate driver, compatible with 3.3 V and 5 V tri-state PWM signal.  |
| 30                                     | REF <sub>IN</sub> | Input for external reference voltage for IMON signal. This voltage should be between 0.8 V and 1.6 V. Connect REF <sub>IN</sub> to the appropriate current sense input of the controller. Place a high quality low ESR ceramic capacitor (~ 0.1 μF) in close proximity from this pin to GND.   |
| 31                                     | IMON              | Current monitor output, referenced to REF <sub>IN</sub> . IMON will be pulled high (to REF <sub>IN</sub> +1.2 V) to indicate an HFET shorted or over-current fault. Connect the IMON output to the appropriate current sense input of the controller. No more than 56 pF capacitance can be directly connected across IMON and REF <sub>IN</sub> pins. With a 100 Ω series resistor, up to 470 pF may be used.   |
| 32                                     | TMON              | Temperature monitor output. For multiphase, the TMON pins can be connected together as a common bus; the highest voltage (representing the highest temperature) will be sent to the PWM controller. TMON will be pulled high (to 2.5 V) to indicate an over-temperature fault. No more than 250 pF total capacitance can be directly connected across TMON and GND pins; with a series resistor, a higher capacitance load is allowed, such as 1 kΩ for 100 nF load. |



| ABSOLUTE MAXIMUM RATINGS                       |                          |   |                        |      |
|--|--------------------------|---|------------------------|------|
| ELECTRICAL PARAMETER                           | SYMBOL                   | CONDITONS                                   | LIMIT                  | UNIT |
| Supply voltage                                 | $V_{CC}, PV_{CC}$        |   | -0.3 to +6             | V    |
| Input supply voltage                           | $V_{IN}$                 |   | -0.3 to +25            |      |
| PHASE, SW voltage                              | $V_{PH-GND}, V_{SW-GND}$ | GND - 10 V, < 20 ns pulse width, 10 $\mu$ J | -0.3 to +25            |      |
| BOOT voltage                                   | $V_{BOOT\_GND}$          |   | -0.3 to +36            |      |
| Other I/O pin voltage                          |                          |   | -0.3 to $V_{CC} + 0.3$ |      |
| Maximum junction temperature (plastic package) |                          |   | 150                    | °C   |
| Maximum storage temperature range              |                          |   | -65 to +150            |      |
| Lead (Pb)-free Reflow Profile                  |                          |   | -                      | -    |

**Note**

- Stresses beyond those listed under “Absolute Maximum Ratings” may cause permanent damage to the device. These are stress ratings only, and functional operation of the device at these or any other conditions beyond those indicated in the operational sections of the specifications is not implied. Exposure to absolute maximum rating conditions for extended periods may affect device reliability.

| RECOMMENDED OPERATING RANGE          |         |             |         |      |
|--------------------------------------|---------|-------------|---------|------|
| ELECTRICAL PARAMETER                 | MINIMUM | TYPICAL     | MAXIMUM | UNIT |
| Operating junction temperature range | -40     | -           | 125     | °C   |
| Supply voltage ( $V_{CC}, PV_{CC}$ ) | -       | 5 $\pm$ 5 % | -       | V    |
| Input supply voltage ( $V_{IN}$ )    | 4.5     | -           | 18      |      |

| THERMAL INFORMATION                               |                      |                      |
|---|----------------------|----------------------|
| THERMAL RESISTANCE                                | $\theta_{JA}$ (°C/W) | $\theta_{JC}$ (°C/W) |
| Dual cooled PowerPAK MLP55-32L <sup>a, b, c</sup> | 10.7                 | 1.6                  |

**Notes**

- $\theta_{JA}$  is measured in free air with the component mounted on a high effective thermal conductivity test board with direct attach features.
- For  $\theta_{JC}$ , the case temperature location is the center of the exposed metal pad on the package underside.
- These ratings vary with PCB layout and operating condition, and limited by device temperature and thermal shutdown trip point.

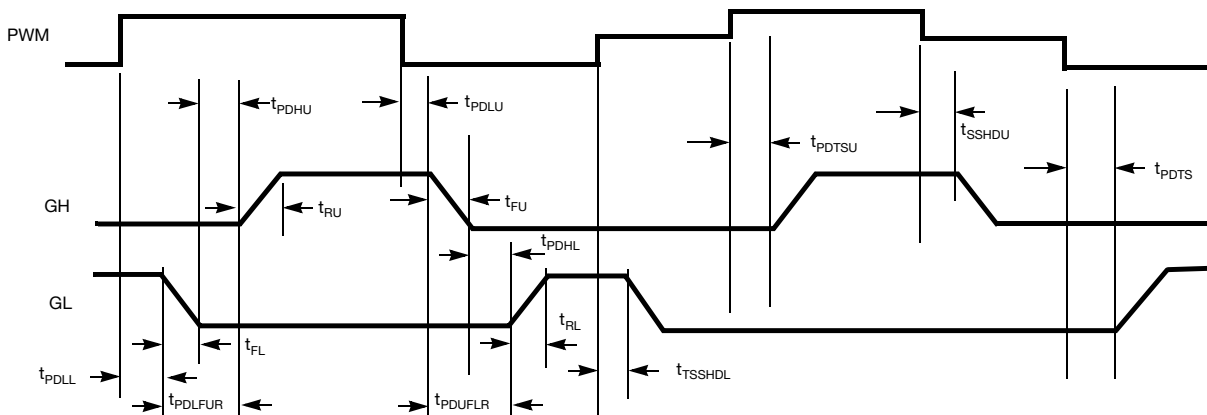


| <b>ELECTRICAL SPECIFICATIONS</b><br>(recommended operating conditions, unless otherwise noted. $T_J = -40\text{ }^\circ\text{C}$ to $+125\text{ }^\circ\text{C}$ ) |               |  |                   |      |                   |                    |
|--|---------------|--|-------------------|------|-------------------|--------------------|
| PARAMETER  | SYMBOL        | TEST CONDITIONS  | LIMITS            |      |                   | UNIT               |
|  |               |  | MIN. <sup>a</sup> | TYP. | MAX. <sup>a</sup> |                    |
| <b>POWER RATING</b>  |               |  |                   |      |                   |                    |
| Maximum instant power dissipation  |               | $T_A = 25\text{ }^\circ\text{C}$ , 150 A <sup>b</sup>  | -                 | 100  | -                 | W                  |
| Maximum continuous power dissipation   |               | $T_A = 25\text{ }^\circ\text{C}$ , $\theta_{JA} = 10\text{ }^\circ\text{C/W}$ , $T_J = 150\text{ }^\circ\text{C}$ <sup>b</sup> | -                 | 12.5 | -                 |                    |
| <b>THERMAL RESISTANCE</b>  |               |  |                   |      |                   |                    |
| Thermal resistance junction to PCB   | $\theta_{JB}$ | <sup>b</sup>   | -                 | 5.2  | -                 | $^\circ\text{C/W}$ |
| Thermal resistance junction to ambient   | $\theta_{JA}$ | 0 LFM <sup>b</sup>   | -                 | 10.7 | -                 |                    |
|  |               | 400 LFM <sup>b</sup>   | -                 | 9.3  | -                 |                    |
| <b>V<sub>CC</sub> SUPPLY CURRENT</b>   |               |  |                   |      |                   |                    |
| Logic standby current  | $I_{V_{CC}}$  | PWM = open   | -                 | 4.75 | -                 | mA                 |
| Gate drive standby current   | $I_{PV_{CC}}$ | PWM = open   | -                 | 100  | -                 | $\mu\text{A}$      |
| Logic operational current  | $I_{V_{CC}}$  | PWM = 300 kHz  | -                 | 4.75 | -                 | mA                 |
| Gate drive operational current   | $I_{PV_{CC}}$ | PWM = 300 kHz  | -                 | 15   | -                 |                    |
| <b>POWER-ON RESET AND ENABLE</b>   |               |  |                   |      |                   |                    |
| $V_{CC}$ rising POR threshold  |               |  | -                 | 3.86 | 4.20 <sup>c</sup> | V                  |
| $V_{CC}$ falling POR threshold   |               |  | 3.20 <sup>c</sup> | 3.58 | -                 |                    |
| $V_{CC}$ POR hysteresis  |               |  | -                 | 280  | -                 | mV                 |
| $V_{CC}$ POR delay to operation  |               |  | -                 | 125  | 197 <sup>c</sup>  | $\mu\text{s}$      |
| $V_{IN}$ rising POR threshold  |               |  | -                 | 4    | 4.2 <sup>c</sup>  | V                  |
| $V_{IN}$ falling POR threshold   |               |  | 3.4 <sup>c</sup>  | 3.5  | -                 |                    |
| $V_{IN}$ POR hysteresis  |               |  | -                 | 445  | -                 | mV                 |
| <b>3.3 V PWM INPUT (see "Timing Diagram")</b>  |               |  |                   |      |                   |                    |
| Sink impedance   |               |  | -                 | 33.5 | -                 | k $\Omega$         |
| Source impedance   |               |  | -                 | 16.5 | -                 |                    |
| Tri-state lower gate falling threshold   |               | $V_{CC} = 5\text{ V}$  | -                 | 1.11 | -                 | V                  |
| Tri-state lower gate rising threshold  |               |  | -                 | 0.87 | -                 |                    |
| Tri-state upper gate rising threshold  |               |  | -                 | 2.13 | -                 |                    |
| Tri-state upper gate falling threshold   |               |  | -                 | 1.95 | -                 |                    |
| Tri-state shutdown window  |               |  | 1.3 <sup>c</sup>  | -    | 1.8 <sup>c</sup>  |                    |
| <b>5 V PWM INPUT (see "Timing Diagram")</b>  |               |  |                   |      |                   |                    |
| Sink impedance   |               |  | -                 | 16.5 | -                 | k $\Omega$         |
| Source impedance   |               |  | -                 | 16.5 | -                 |                    |
| Tri-state lower gate falling threshold   |               | $V_{CC} = 5\text{ V}$  | -                 | 1.51 | -                 | V                  |
| Tri-state lower gate rising threshold  |               |  | -                 | 1.14 | -                 |                    |
| Tri-state upper gate rising threshold  |               |  | -                 | 3.24 | -                 |                    |
| Tri-state upper gate falling threshold   |               |  | -                 | 3.02 | -                 |                    |
| Tri-state shutdown window  |               |  | 1.6 <sup>c</sup>  | -    | 2.8 <sup>c</sup>  |                    |
| <b>SWITCHING TIME</b>  |               |  |                   |      |                   |                    |
| GH turn-on propagation delay   | $t_{PDHU}$    | GL low to GH high, see Fig. 6  | -                 | 8    | -                 | ns                 |
| GH turn-off propagation delay  | $t_{PDLU}$    | PWM low to GH low, see Fig. 6  | -                 | 40   | -                 |                    |
| GL turn-on propagation delay   | $t_{PDHL}$    | GH low to GL high, see Fig. 6  | -                 | 8    | -                 |                    |
| GL turn-off propagation delay  | $t_{PDLL}$    | PWM high to GL low, see Fig. 6   | -                 | 23   | -                 |                    |
| GL exit tri-state propagation delay  | $t_{PDTSL}$   | Tri-state to GL high, see Fig. 6   | -                 | 25   | -                 |                    |
| GH exit tri-state propagation delay  | $t_{PDTSU}$   | Tri-state to GH high, see Fig. 6   | -                 | 35   | -                 |                    |
| PWML tri-state shutdown hold-off time  | $t_{TSSHDL}$  | PWM low to GL low, see Fig. 6  | -                 | 40   | -                 |                    |
| PWMH tri-state shutdown hold-off time  | $t_{TSSHDU}$  | PWM low to GH low, see Fig. 6  | -                 | 50   | -                 |                    |

| <b>ELECTRICAL SPECIFICATIONS</b><br>(recommended operating conditions, unless otherwise noted. $T_J = -40\text{ }^\circ\text{C}$ to $+125\text{ }^\circ\text{C}$ ) |        |  |                   |         |                   |                  |
|--|--------|--|-------------------|---------|-------------------|------------------|
| PARAMETER  | SYMBOL | TEST CONDITIONS  | LIMITS            |         |                   | UNIT             |
|  |        |  | MIN. <sup>a</sup> | TYP.    | MAX. <sup>a</sup> |                  |
| <b>CURRENT MONITOR</b>   |        |  |                   |         |                   |                  |
| IREF <sub>IN</sub> voltage range   |        |  | 0.8 <sup>c</sup>  | 1.2     | 1.6 <sup>c</sup>  | V                |
| IMON current gain accuracy ( $V_{CC} = 5\text{ V}$ )   |        | 10 A, $T_J = 90\text{ }^\circ\text{C}$   | -                 | $\pm 2$ | -                 | %                |
|  |        | $\geq 10\text{ A}$ , $T_J = 40\text{ }^\circ\text{C}$ to $25\text{ }^\circ\text{C}$  | -                 | $\pm 3$ | -                 |                  |
|  |        | $\geq 10\text{ A}$ , $T_J = 20\text{ }^\circ\text{C}$ to $125\text{ }^\circ\text{C}$ | -                 | $\pm 4$ | -                 |                  |
|  |        | $\geq 10\text{ A}$ , $T_J = 0\text{ }^\circ\text{C}$ to $125\text{ }^\circ\text{C}$  | -                 | $\pm 5$ | -                 |                  |
| Downslope blanking time  |        |  | -                 | 160     | -                 | ns               |
| HFET over-current trip   |        |  | -                 | 90      | -                 | A                |
| IMON to IREF <sub>IN</sub> at OCP  |        |  | 1.1 <sup>c</sup>  | 1.2     | 1.3 <sup>c</sup>  | V                |
| <b>TEMPERATURE MONITOR</b>   |        |  |                   |         |                   |                  |
| Over-temperature rising threshold  |        |  | -                 | 140     | -                 | $^\circ\text{C}$ |
| Over-temperature falling threshold   |        |  | -                 | 125     | -                 |                  |
| Over-temperature hysteresis  |        |  | -                 | 15      | -                 |                  |
| Temperature coefficient  |        | $T_J = 25\text{ }^\circ\text{C}$ to $125\text{ }^\circ\text{C}$                      | -                 | 8       | -                 | mV/K             |
|  |        | $T_J = -40\text{ }^\circ\text{C}$ to $+25\text{ }^\circ\text{C}$                     | -                 | 8       | -                 |                  |
| TMON voltage at $25\text{ }^\circ\text{C}$ temperature   |        | $V(T_J) = 0.6\text{ V} + (8\text{ mV} \times T_J)$                                   | -                 | 0.80    | -                 | V                |
| TMON high at over-temperature  |        |  | 2.3 <sup>c</sup>  | 2.5     | 2.7 <sup>c</sup>  |                  |
| <b>FAULT PIN</b>   |        |  |                   |         |                   |                  |
| Output low voltage   |        | 5 mA   | -                 | 0.18    | 0.26              | V                |
| Leakage current  |        |  | -                 | 16      | -                 | nA               |
| <b>BOOTSTRAP DIODE</b>   |        |  |                   |         |                   |                  |
| Forward voltage drop   |        | 5 mA   | -                 | 0.09    | -                 | V                |
| On-resistance  | $R_F$  |  | -                 | 16      | -                 | $\Omega$         |
| <b>LGCTRL PIN</b>  |        |  |                   |         |                   |                  |
| Rising threshold   |        | Logic high, (normal: obeys PWM)  | -                 | 1.29    | 1.6               | V                |
| Falling threshold  |        | Logic low, (forces GL low; left off)   | 0.70 <sup>c</sup> | 1.01    | -                 |                  |
| <b>MOSFETs</b>   |        |  |                   |         |                   |                  |
| High-side MOSFET (HFET) $R_{DS(on)}$   |        |  | -                 | 3.6     | -                 | m $\Omega$       |
| Low-side MOSFET (LFET) $R_{DS(on)}$  |        |  | -                 | 0.76    | -                 |                  |

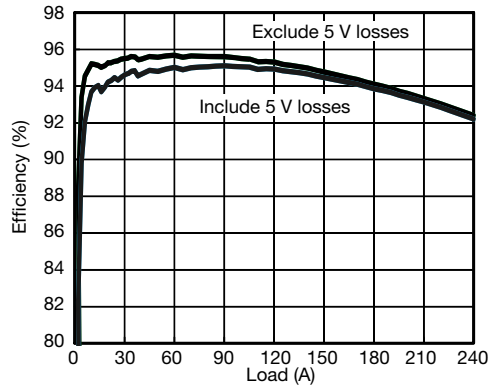
**Notes**

- Compliance to datasheet limits is assured by one or more methods: production test, characterization and/or design.
- These ratings vary with PCB layout and operating condition, and limited by SPS temperature and thermal shutdown trip point.
- Limits apply across the operating temperature range.

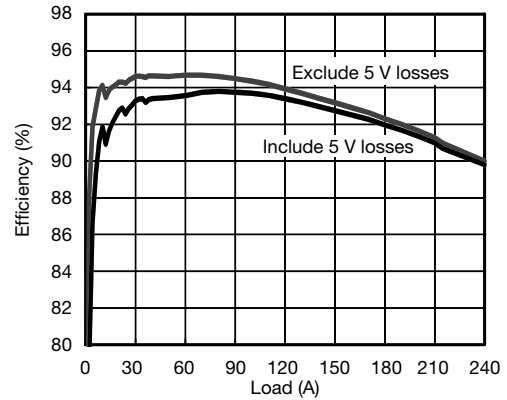
**TIMING DIAGRAM**

**Fig. 6 - Timing Diagram**



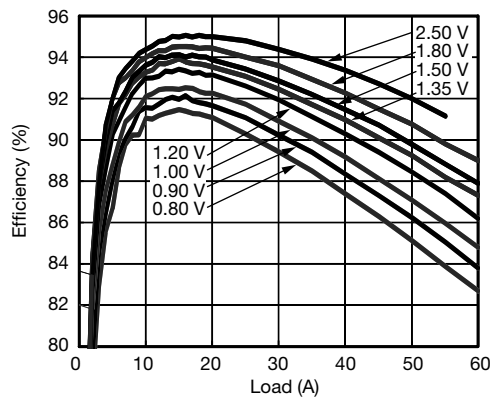
**TYPICAL CHARACTERISTICS** ( $P_{VCC} = 5\text{ V}$ ,  $T_A = 25\text{ }^\circ\text{C}$ , unless otherwise stated)



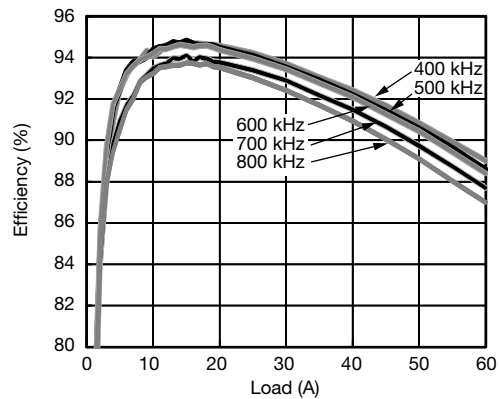
**Fig. 7 - 1.8 V  $V_{OUT}$  Power Stage Efficiency** ( $V_{IN} = 12\text{ V}$ ,  $f_{SW} = 500\text{ kHz}$ ;  $L_{OUT} = 0.18\text{ }\mu\text{H}/0.17\text{ m}\Omega/\text{FP1008-180-R}$ ; Auto-Phase Enabled in 6-Phase Operation)



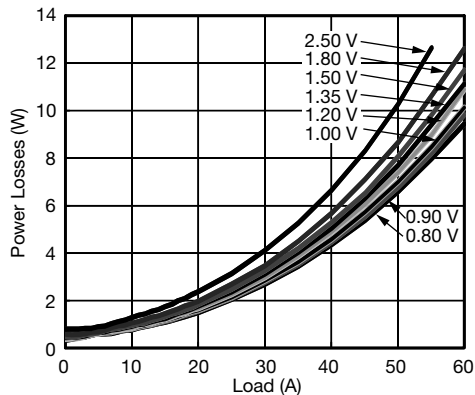
**Fig. 10 - 1.2 V Power Stage Efficiency** ( $V_{IN} = 12\text{ V}$ ,  $f_{SW} = 500\text{ kHz}$ ;  $L_{OUT} = 0.18\text{ }\mu\text{H}/0.17\text{ m}\Omega/\text{FP1008-180-R}$ ; Auto-Phase Enabled in 6-Phase Operation)



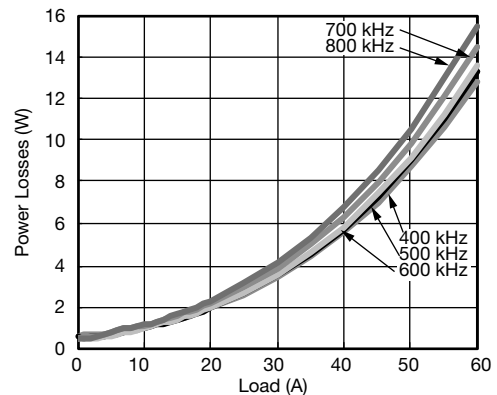
**Fig. 8 - Power Stage Efficiency** ( $V_{IN} = 12\text{ V}$ ,  $f_{SW} = 500\text{ kHz}$ ;  $L_{OUT} = 0.18\text{ }\mu\text{H}/0.17\text{ m}\Omega/\text{FP1008-180-R}$ )



**Fig. 11 - Power Stage Efficiency** ( $V_{IN} = 12\text{ V}$ ,  $f_{SW} = 500\text{ kHz}$ ;  $L_{OUT} = 0.18\text{ }\mu\text{H}/0.17\text{ m}\Omega/\text{FP1008-180-R}$ )



**Fig. 9 - Power Dissipation** ( $V_{IN} = 12\text{ V}$ ,  $f_{SW} = 500\text{ kHz}$ ;  $L_{OUT} = 0.18\text{ }\mu\text{H}/0.17\text{ m}\Omega/\text{FP1008-180-R}$ )



**Fig. 12 - Power Dissipation** ( $V_{IN} = 12\text{ V}$ ,  $f_{SW} = 500\text{ kHz}$ ;  $L_{OUT} = 0.18\text{ }\mu\text{H}/0.17\text{ m}\Omega/\text{FP1008-180-R}$ )

## DETAILED OPERATIONAL DESCRIPTION

The SiC645 is an optimized driver and power stage solution for high density synchronous DC/DC power conversion. It includes high performance GH and GL drivers, a NFET controlled to function as a bootstrap diode, and MOSFET pair optimized for high switching frequency buck voltage regulators. It also includes advanced power management features.

1. Accurate current and thermal reporting outputs
2. Fault protections of HFET over-current, HFET short, over-temperature,  $V_{CC}$  UVLO, and  $V_{IN}$  UVLO

### Power-On Reset (POR)

During initial start-up, the  $V_{CC}$  voltage rise is monitored. Once the rising  $V_{CC}$  voltage exceeds 3.86 V (typical) for 125  $\mu$ s, then normal operation of the driver is enabled. The PWM signals are passed through to the gate drivers, the TMON output is valid, and the IMON output starts at zero, and becomes valid on the first GL signal. If  $V_{CC}$  drops below the falling threshold of 3.58 V (typical), operation of the driver is disabled. The  $PV_{CC}$  voltage is not monitored as it should be from the same supply as  $V_{CC}$ .

$V_{IN}$  POR is also monitored. When both  $V_{CC}$  and  $V_{IN}$  reach above their POR trip points, it enables HFET over-current protection.

Both  $V_{CC}$  and  $V_{IN}$  POR are gated to the FAULT# pin, which goes high once both  $V_{CC}$  and  $V_{IN}$  are above their POR levels and no other faults occur.

### Shoot-Through Protection

Prior to POR, the undervoltage protection function is activated and both GH and GL are held active low (HFET and LFET off). After POR (the rising thresholds; see electrical specifications), and 125  $\mu$ s delay, the PWM and LGCTRL signals are used to control both high-side and low-side MOSFETs, as shown in Table 1.

SiC645's dead time control is optimized for high efficiency and guarantees that simultaneous conduction of both FETs cannot occur.

Should the driver have no bias voltage applied (either  $V_{CC}$  or  $PV_{CC}$  missing) and be unable to actively hold the MOSFETs off, an integrated 20 k $\Omega$  resistor from the upper MOSFET gate to source will aid in keeping the HFET device in its off state. This can be especially critical in applications where the input voltage rises prior to the SiC645  $V_{CC}$  and  $PV_{CC}$  supplies.

| TABLE 1 -<br>GH AND GL OPERATION TRUTH TABLE |        |    |    |            |         |
|--|--------|----|----|------------|---------|
| PWM  | LGCTRL | GH | GL | HFET, LFET | COMMENT |
| Tri-state                                    | X      | 0  | 0  | Both off   | -       |
| 0  | 1      | 0  | 1  | LFET on    | Normal  |
| 1  | 1      | 1  | 0  | HFET on    | Normal  |
| 0  | 0      | 0  | 0  | LFET off   | GL low  |
| 1  | 0      | 1  | 0  | HFET on    | Normal  |

### Tri-State PWM Input

The SiC645A supports a 3.3 V PWM tri-level input, compatible with Vishay's digital multiphase controllers as well as other control IC's utilizing 3.3 V PWM logic. Use the SiC645 for 5 V PWM logic. Should the pin be pulled into and remain in the tri-state window for a set hold off time (~ 25 ns), the driver will force both MOSFETs to their off states. When the PWM signal moves outside the shutdown window, the driver immediately resumes driving the MOSFETs according to the PWM commands.

This feature is utilized by Vishay PWM controllers as a method of forcing both MOSFETs off. Should the PWM input be left floating, the pin will be pulled into the tri-state window internally and thus force both MOSFETs to a safe off state.

Although the PWM input can sustain a voltage as high as  $V_{CC}$ , the SiC645 is not compatible with a controller that actively drives its mid-level in tri-state higher than 1.7 V.

### Bootstrap Function

The SiC645 features an internal NFET that is controlled to function as a bootstrap diode. A high quality ceramic capacitor should be placed in close proximity across the BOOT and PHASE pins. The bootstrap capacitor can range between 0.1  $\mu$ F to 0.22  $\mu$ F (0402 to 0603 and X5R to X7R) for normal buck switching applications.

### Current Monitoring

LFET current is monitored and a signal proportional to that current is output on the IMON pin (relative to the  $REF_{IN}$  pin). The IMON and  $REF_{IN}$  pins should be connected to the appropriate current sense input pin of the controller. This method does not require external  $R_{SENSE}$  or DCR sensing of inductor current.

Fig. 13 depicts the low-side current sense concept and demonstrates how the accuracy will be defined. After the falling edge of PWM, there are two delays; one that represents the expected propagation delay from PWM to GH/SW, and a second blanking delay to allow time for the transition to settle; typical total time is ~ 350 ns. The IMON output approximates the actual  $I_L$  waveform shown within the tolerance band.

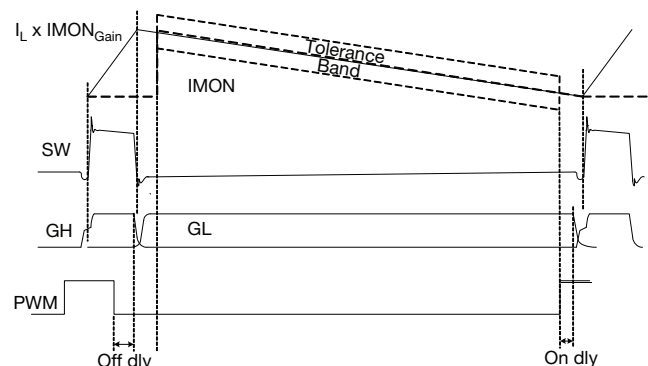


Fig. 13 - LFET Current Sample Diagram

The HFET current is not monitored in the same way, so no valid measured current is available while PWM is high (and the short delays before and after). During this time, the IMON will output the last valid LFET current before the sampling stopped. On start-up after POR, the IMON will output zero (relative to  $REF_{IN}$ , which represents zero current) until the switching begins, and then the current can be properly measured.

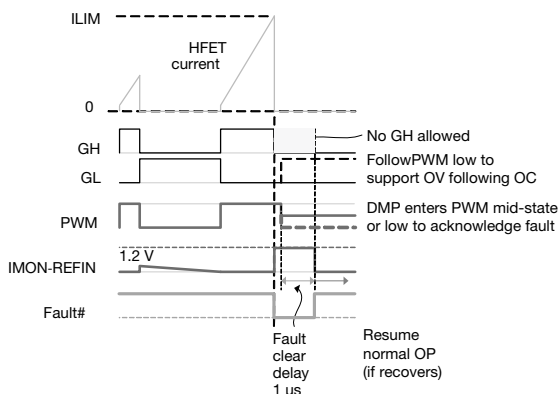
The high-side FET current is separately monitored for OC conditions; see the “over-current protection” section.

### Over-current Protection

Fig. 14 shows the timing diagram of an over-current fault. There is a comparator monitoring the HFET current while it is on (GH high; also requires  $V_{IN}$  POR above its trip point). If the current is higher than 90 A (typical; not user-programmable), then an OC fault is detected. The GH will be forced low, even if PWM is still high; this effectively shortens the PWM (and GH) pulse width, to limit the current. The IMON pin is pulled up to  $REF_{IN} + 1.2$  V, which will be detected by the controller as an over-current fault. The controller is then expected to force PWM to tri-state (which gates off both FETs) or low state (turns on LFET), either of which signals the SPS that the fault has been acknowledged. This starts a  $\sim 1$   $\mu$ s fault clear delay. The IMON flag is released after the delay. The driver will then respond to PWM inputs normally.

Note that if the controller does NOT acknowledge, the IMON flag will stay high indefinitely, which will also hold GH low.

If OC is detected, the FAULT# pin is also pulled low; the timing on the FAULT# pin will follow that of the IMON pin.



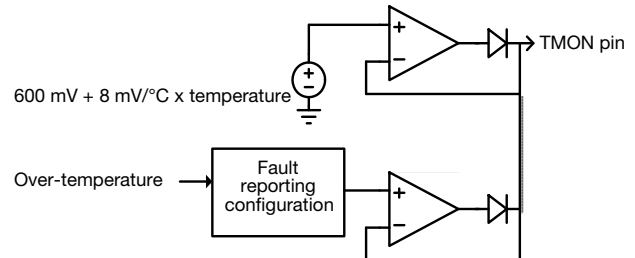
**Fig. 14 - Over-current Fault Timing Diagram**

### Shorted HFET Protection

In the case of a shorted HFET, the SW node will have excessive positive voltage present even when the LFET is turned on. The SiC645 monitors the SW node during periods when the LFET is on (GL is high), and should that voltage exceed 100 mV (typical), the HFET short fault is declared. The SiC645 will pull the IMON pin high, and the FAULT# will be pulled low. But the fault will be latched;  $V_{CC}$  POR is needed to reset it. GH will be gated low (ignore PWM = high), but the SiC645 will still respond to PWM tri-state and logic low.

### Thermal Monitoring

The SiC645 monitors its internal temperature and provides a signal proportional to that temperature on the TMON pin. TMON has a voltage of 600 mV at 0 °C and reflects temperature at 8 mV/°C. The TMON output is valid 125  $\mu$ s after  $V_{CC}$  POR.



**Fig. 15 - Over-Temperature Fault**

Fig. 15 shows a simplified functional representation. The top section includes the sensor and the output buffer. The bottom section includes the protection sensing, that will pull the output high. The TMON pin is configured internally such that a user can tie multiple pins together externally and the resulting TMON bus will assume the voltage of the highest contributor (representing the highest temperature).

### Thermal Protection

If the internal temperature exceeds the over-temperature trip point (+140 °C typical), the TMON pin is pulled high (to  $\sim 2.5$  V), and the FAULT# pin is pulled low. No other action is taken on-chip. Both the TMON and FAULT# pins will remain in the fault mode, until the junction temperature drops below +125 °C typical; at that point, the TMON and FAULT# pins resume normal operation; the DMP can detect that the fault condition has gone away, and decide what to do next.

### FAULT Reporting

Over-current and shorted HFET detections will pull the IMON pin to a high (fault) level, such that the DMP should quickly recognize it as out of the normal range. Over-temperature detection will pull the TMON pin to a high (fault) level, such that the PWM controller should quickly recognize it as out of the normal range.

All of the above faults, plus the  $V_{CC}$  and  $V_{IN}$  POR (UVLO) conditions, will also pull down the FAULT# pin. This can be used by the controller (or system) as fault detection, and can also be used to disable the controller, through its enable pin.

The fault reporting and respective SPS response are summarized in Table 2.

**TABLE 2 - FAULT REPORTING SUMMARY**

| FAULT EVENT   | IMON                    | TMON           | FAULT#             | RESPONSE   |
|---------------|-------------------------|----------------|--------------------|--|
| OC            | High                    | n/a            | Low                | GH gated off. The controller should acknowledge and force its PWM to tri-state to keep both HFET and LFET off. The fault is cleared ~ 1 $\mu$ s after PWM enters tri-state, otherwise, it stays asserted. (if system OVP occurs, the controller may sen PWM to turn on LEFT) |
| Shorted HFET  | IMON latched high       | n/a            | FAULT# latched low | GH gated off, until fault latch is cleared by $V_{CC}$ POR. GL follows PWM.  |
| OT            | n/a                     | High           | Low                | GH and GL follow PWM.  |
| $V_{CC}$ UVLO | IMON - $REF_{IN} = 0$ V | TMON not valid | Low                | Switching stops while in UVLO. Once above $V_{CC}$ POR after 125 $\mu$ s: GH and GL follow PWM; the FAULT# is released; TMON is valid; IMON - $REF_{IN}$ is valid after GL first goes low.   |
| $V_{IN}$ UVLO | OC not valid            | n/a            | Low                | GH and GL follow PWM.  |

### PCB LAYOUT CONSIDERATIONS

Proper PCB layout will reduce noise coupling to other circuits, improve thermal performance, and maximize the efficiency. The following is meant to lead to an optimized layout:

- Place multiple 10  $\mu$ F or greater ceramic capacitors directly at device between  $V_{IN}$  and  $P_{GND}$  as indicated in Fig. 16 This is the most critical decoupling and reduced parasitic inductance in the power switching loop. This will reduce overall electrical stress on the device as well as reduce coupling to other circuits. Best practice is to place the decoupling capacitors on the same PCB side as the device.  
For a design with tight space requirements, these decoupling capacitors can be placed under the device, i.e., bottom layer, as shown in Fig. 18
- Connect GND to the system GND plane with a large via array as close to the GND pins as design rules allow. This improves thermal and electrical performance.
- Place  $PV_{CC}$ ,  $V_{CC}$  and BOOT-PHASE decoupling capacitors at the IC pins as shown in Fig. 16.

- Note that the SW plane connecting the SiC645 and inductor must carry full load current and will create resistive loss if not sized properly. However, it is also a very noisy node that should not be oversized or routed close to any sensitive signals. Best practice is to place the inductor as close to the device as possible and thus minimizing the required area for the SW connection. If one must choose a long route of either the  $V_{OUT}$  side of the inductor or the SW side, choose the quiet  $V_{OUT}$  side. Best practice is to locate the SiC645 as close to the final load as possible and thus avoid noisy or lossy routes to the load.
- The IMON and IREF network and their vias should not sit on the top of the  $V_{IN}$  plane, a keep out area is recommended, as shown in Fig. 18.
- The PCB is the best thermal heatsink material than any top side cooling materials. The PCB always has enough vias to connect  $V_{IN}$  and GND planes. Insufficient vias will yield lower efficiency and very poor thermal performance.

Fig. 17 and Fig. 18 show a multiphase PCB layout example.

**PCB LAYOUT FOR MINIMIZING CURRENT LOOPS**

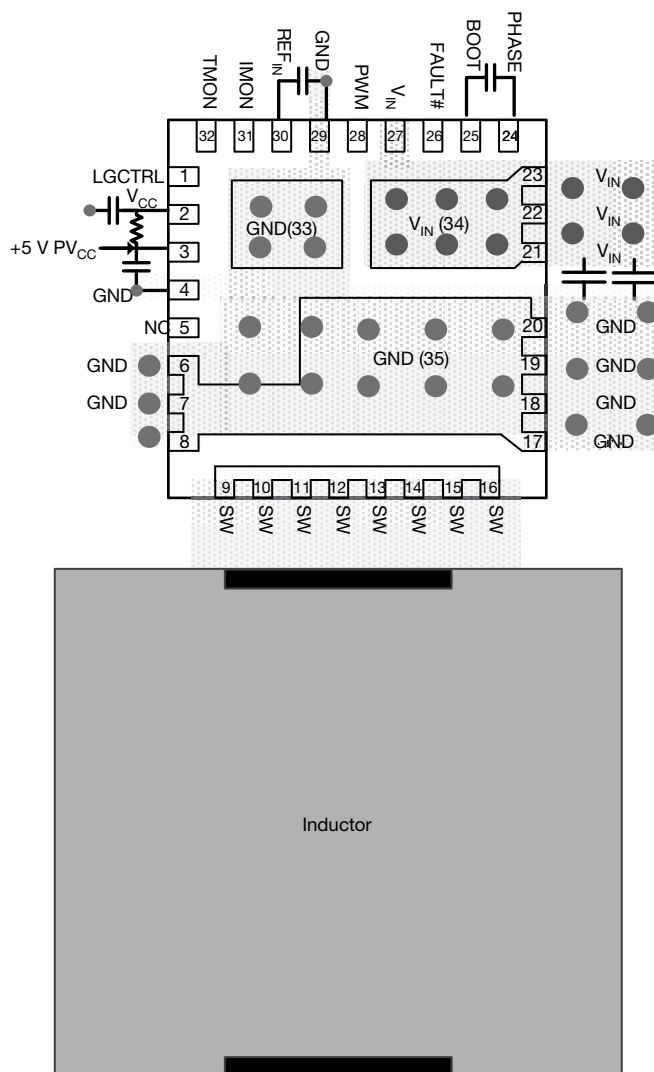


Fig. 16 - Single-Phase PCB Layout for Minimizing Current Loops

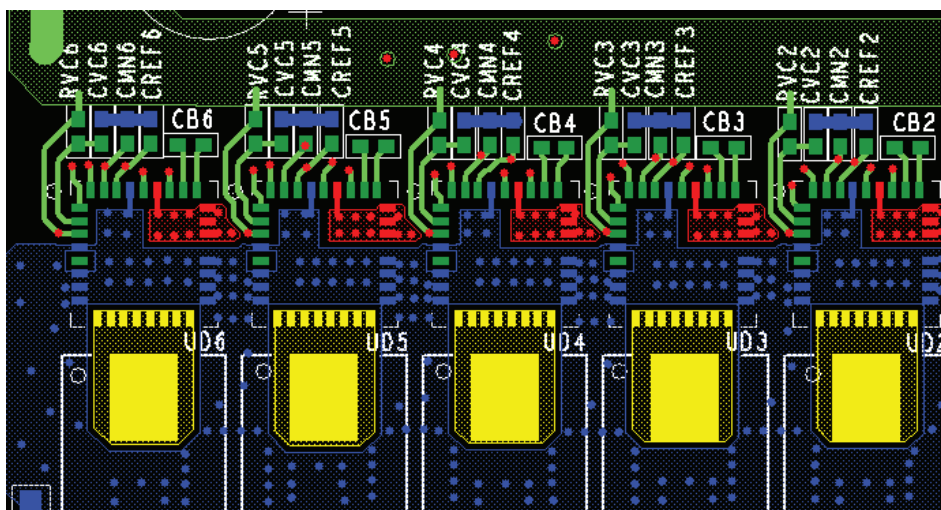


Fig. 17 - Multi-Phase PCB Layout Example Top Layer

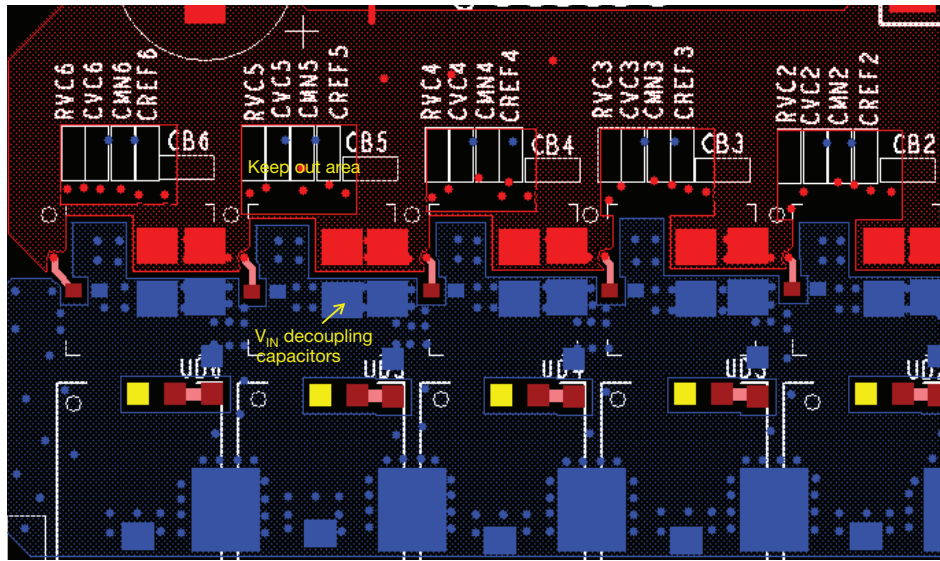
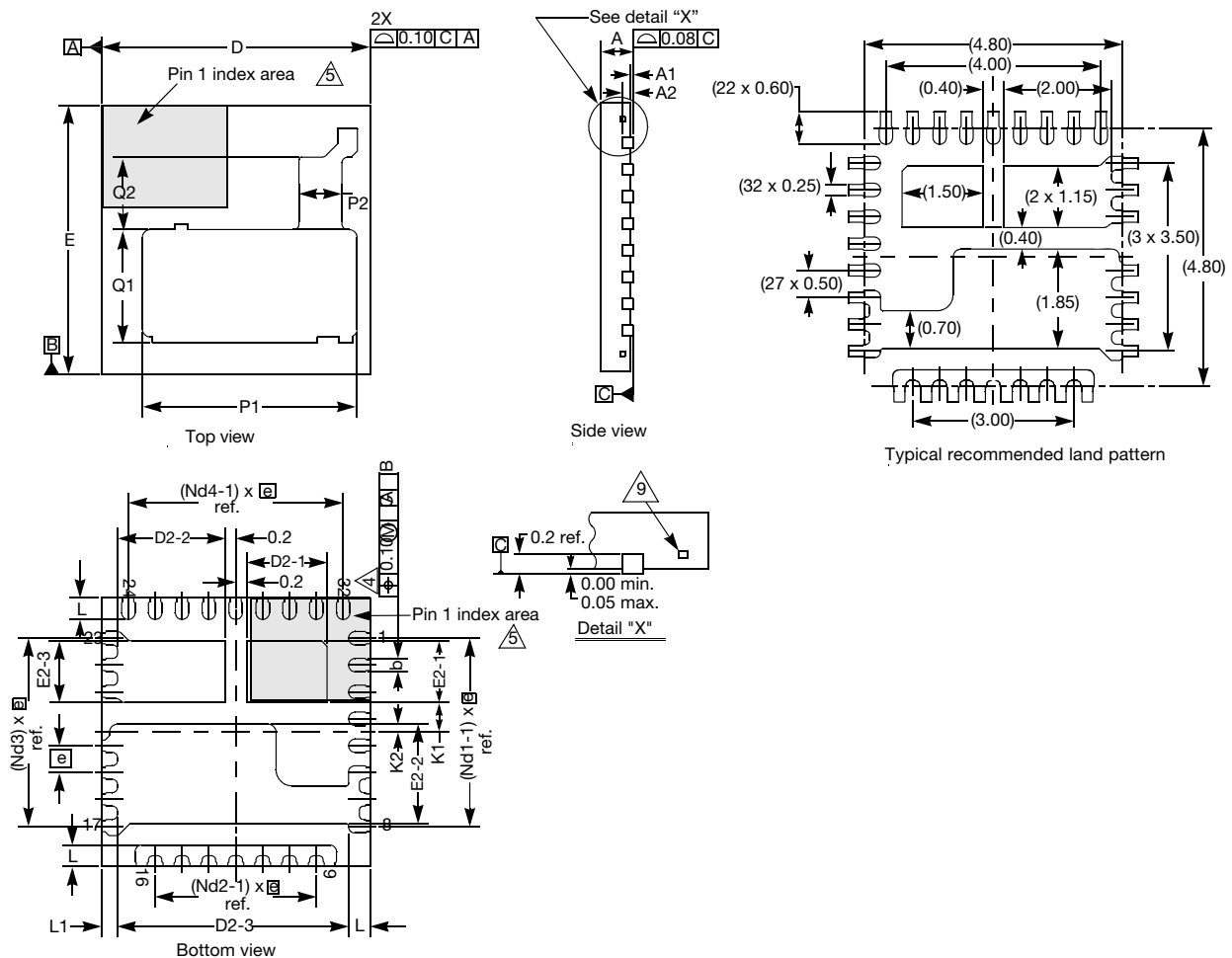


Fig. 18 - Multi-Phase PCB Layout Example Bottom Layer

**PACKAGE OUTLINE DRAWING** Dual cooled PowerPAK MLP55-32L





| DIM.               | MILLIMETERS          |      |      |
|--------------------|----------------------|------|------|
|                    | MIN.                 | NOM. | MAX. |
| A <sup>(8)</sup>   | 0.56                 | 0.61 | 0.66 |
| A1                 | 0.00                 | -    | 0.05 |
| A2                 | 0.20 ref.            |      |      |
| b <sup>(4)</sup>   | 0.20                 | 0.25 | 0.30 |
| D                  | 5.00 BSC             |      |      |
| D2-1               | 1.45                 | 1.50 | 1.55 |
| D2-2               | 1.95                 | 2.00 | 2.05 |
| D2-3               | 4.25                 | 4.30 | 4.35 |
| e                  | 0.50 BSC             |      |      |
| E                  | 5.00 BSC             |      |      |
| E2-1               | 1.10                 | 1.15 | 1.20 |
| E2-2               | 1.80                 | 1.85 | 1.90 |
| E2-3               | 1.10                 | 1.15 | 1.20 |
| K1                 | 0.55 BSC             |      |      |
| K2                 | 0.15 BSC             |      |      |
| L                  | 0.35                 | 0.40 | 0.45 |
| L1                 | 0.25                 | 0.30 | 0.35 |
| P1                 | 3.95                 | 4.00 | 4.05 |
| P2                 | 0.75                 | -    | 1.15 |
| Q1                 | 2.05                 | 2.10 | 2.15 |
| Q2                 | 1.30                 | 1.35 | 1.40 |
| N <sup>(3)</sup>   | 32                   |      |      |
| Nd1 <sup>(3)</sup> | 8 (pin 1 to pin 8)   |      |      |
| Nd2 <sup>(3)</sup> | 8 (pin 9 to pin 16)  |      |      |
| Nd3 <sup>(3)</sup> | 7 (pin 17 to pin 23) |      |      |
| Nd4 <sup>(3)</sup> | 9 (pin 24 to pin 32) |      |      |

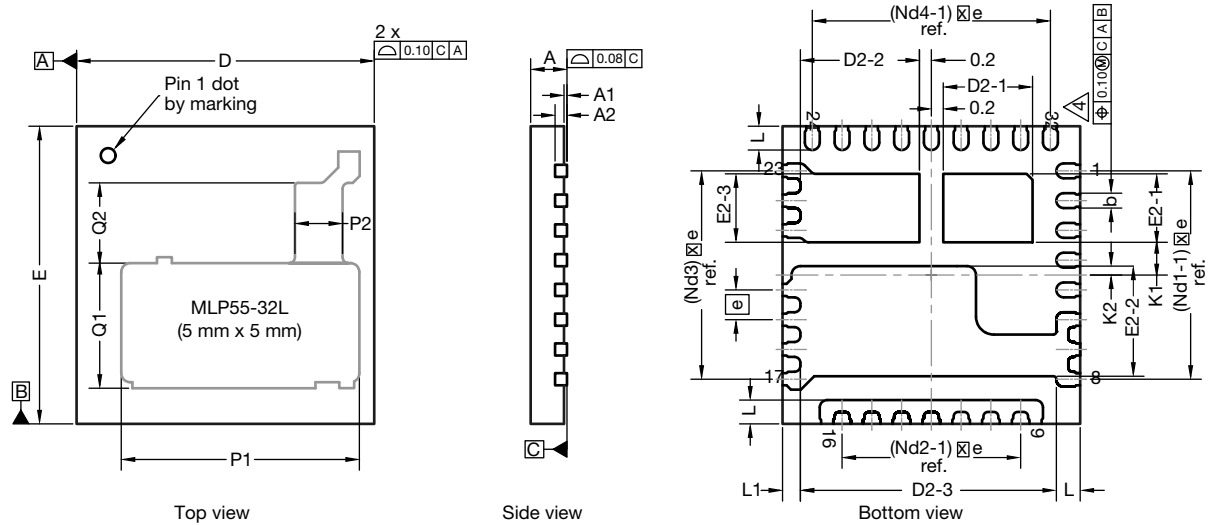
**Notes**

- (1) Use millimeters as the primary measurement.
- (2) Dimensioning and tolerances conform to ASME Y14.5M-1994.
- (3) N is the number of terminals. Nd1 and Nd3 is the number of terminals in Y-direction and Nd2 and Nd4 is the number of terminals in X-direction.
- (4) Dimension b applies to plated terminal and is measured between 0.20 mm and 0.25 mm from terminal trip.
- (5) The configuration of the pin #1 identifier is optimal, but must be located within the zone indicated. The pin #1 identifier may be either a mold or mark feature.
- (6) Exact shape and size of this feature is optional.
- (7) Package warpage max 0.08 mm.
- (8) Applied only for terminals.
- (9) Tiebar shown (if present) is a non-functional feature.

Vishay Siliconix maintains worldwide manufacturing capability. Products may be manufactured at one of several qualified locations. Reliability data for Silicon Technology and Package Reliability represent a composite of all qualified locations. For related documents such as package/tape drawings, part marking, and reliability data, see [www.vishay.com/ppg?65424](http://www.vishay.com/ppg?65424).



# PowerPAK<sup>®</sup> MLP55-32 Double Cooling Case Outline



| DIM.                            | MILLIMETERS          |      |      | INCHES               |        |        |
|---------------------------------|----------------------|------|------|----------------------|--------|--------|
|                                 | MIN.                 | NOM. | MAX. | MIN.                 | NOM.   | MAX.   |
| A <sup>(3)</sup>                | 0.56                 | 0.61 | 0.66 | 0.022                | 0.024  | 0.026  |
| A1                              | 0.00                 | -    | 0.05 | 0.000                | -      | 0.002  |
| A2                              | 0.20 ref.            |      |      | 0.008 ref.           |        |        |
| b <sup>(2)</sup>                | 0.20                 | 0.25 | 0.30 | 0.078                | 0.098  | 0.111  |
| D                               | 5.00 BSC             |      |      | 0.196 BSC            |        |        |
| D2-1                            | 1.45                 | 1.50 | 1.55 | 0.057                | 0.059  | 0.061  |
| D2-2                            | 1.95                 | 2.00 | 2.05 | 0.077                | 0.079  | 0.081  |
| D2-3                            | 4.25                 | 4.30 | 4.35 | 0.167                | 0.169  | 0.171  |
| e                               | 0.50 BSC             |      |      | 0.020 BSC            |        |        |
| E                               | 5.00 BSC             |      |      | 0.197 BSC            |        |        |
| E2-1                            | 1.10                 | 1.15 | 1.20 | 0.043                | 0.045  | 0.047  |
| E2-2                            | 1.80                 | 1.85 | 1.90 | 0.071                | 0.073  | 0.075  |
| E2-3                            | 1.10                 | 1.15 | 1.20 | 0.043                | 0.045  | 0.047  |
| K1                              | 0.55 BSC             |      |      | 0.022 BSC            |        |        |
| K2                              | 0.15 BSC             |      |      | 0.006 BSC            |        |        |
| L                               | 0.35                 | 0.40 | 0.45 | 0.014                | 0.016  | 0.018  |
| L1                              | 0.25                 | 0.30 | 0.35 | 0.010                | 0.012  | 0.014  |
| P1                              | 3.95                 | 4.00 | 4.05 | 0.1555               | 0.1575 | 0.1595 |
| P2                              | 0.75                 | -    | 1.15 | 0.030                | -      | 0.045  |
| O1                              | 2.05                 | 2.10 | 2.15 | 0.046                | 0.048  | 0.050  |
| O2                              | 1.30                 | 1.35 | 1.40 | 0.049                | 0.051  | 0.053  |
| N <sup>(1)</sup>                | 31                   |      |      | 31                   |        |        |
| Nd1 <sup>(1)</sup>              | 8 (pin 1 to pin 8)   |      |      | 8 (pin 1 to pin 8)   |        |        |
| Nd2 <sup>(1)</sup>              | 8 (pin 9 to pin 15)  |      |      | 8 (pin 9 to pin 15)  |        |        |
| Nd3 <sup>(1)</sup>              | 7 (pin 16 to pin 22) |      |      | 7 (pin 16 to pin 22) |        |        |
| Nd4 <sup>(1)</sup>              | 9 (pin 23 to pin 31) |      |      | 9 (pin 23 to pin 31) |        |        |
| ECN: T16-0611-Rev. A, 24-Oct-16 |                      |      |      |                      |        |        |
| DWG: 6054                       |                      |      |      |                      |        |        |

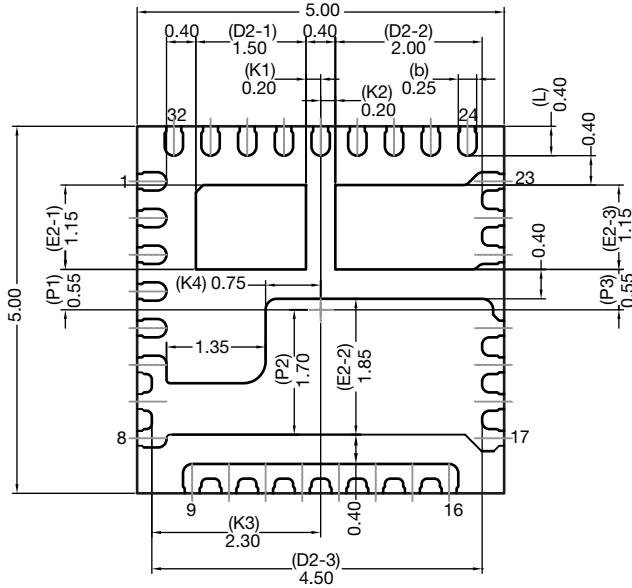
**Notes**

- Use millimeters as the primary measurement.
- Dimensioning and tolerances conform to ASME Y14.5M-1994.
- The pin 1 identifier must be existed on the top surface of the package by using indentation mark or other feature of package body.
- Exact shape and size of this feature is optional
- Package warpage max. 0.08 mm.
- (1) N is the number of terminals. Nd1 and Nd3 is the number of terminals in each y-direction. Nd2 and Nd4 is the number of terminals in each x-direction.
- (2) Dimensions b applies to plated terminal and is measured between 0.20 mm and 0.25 mm from terminal tip.
- (3) Applied only for terminals.

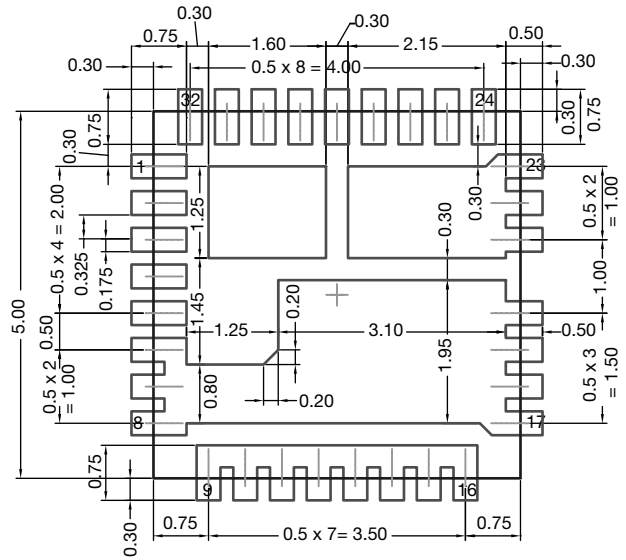


# Recommended Land Pattern PowerPAK® MLP55-32L

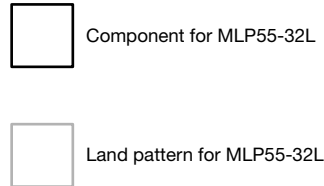
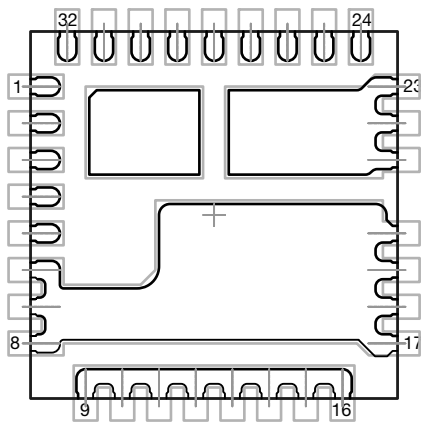
**Component for MLP55-32L**  
Top side transparent view  
(no bottom view)



**Land pattern for MLP55-32L**



**Component and land pattern**  
for MLP55-32L



All dimensions are in millimeters



## **Disclaimer**

ALL PRODUCT, PRODUCT SPECIFICATIONS AND DATA ARE SUBJECT TO CHANGE WITHOUT NOTICE TO IMPROVE RELIABILITY, FUNCTION OR DESIGN OR OTHERWISE.

Vishay Intertechnology, Inc., its affiliates, agents, and employees, and all persons acting on its or their behalf (collectively, "Vishay"), disclaim any and all liability for any errors, inaccuracies or incompleteness contained in any datasheet or in any other disclosure relating to any product.

Vishay makes no warranty, representation or guarantee regarding the suitability of the products for any particular purpose or the continuing production of any product. To the maximum extent permitted by applicable law, Vishay disclaims (i) any and all liability arising out of the application or use of any product, (ii) any and all liability, including without limitation special, consequential or incidental damages, and (iii) any and all implied warranties, including warranties of fitness for particular purpose, non-infringement and merchantability.

Statements regarding the suitability of products for certain types of applications are based on Vishay's knowledge of typical requirements that are often placed on Vishay products in generic applications. Such statements are not binding statements about the suitability of products for a particular application. It is the customer's responsibility to validate that a particular product with the properties described in the product specification is suitable for use in a particular application. Parameters provided in datasheets and / or specifications may vary in different applications and performance may vary over time. All operating parameters, including typical parameters, must be validated for each customer application by the customer's technical experts. Product specifications do not expand or otherwise modify Vishay's terms and conditions of purchase, including but not limited to the warranty expressed therein.

Except as expressly indicated in writing, Vishay products are not designed for use in medical, life-saving, or life-sustaining applications or for any other application in which the failure of the Vishay product could result in personal injury or death. Customers using or selling Vishay products not expressly indicated for use in such applications do so at their own risk. Please contact authorized Vishay personnel to obtain written terms and conditions regarding products designed for such applications.

No license, express or implied, by estoppel or otherwise, to any intellectual property rights is granted by this document or by any conduct of Vishay. Product names and markings noted herein may be trademarks of their respective owners.