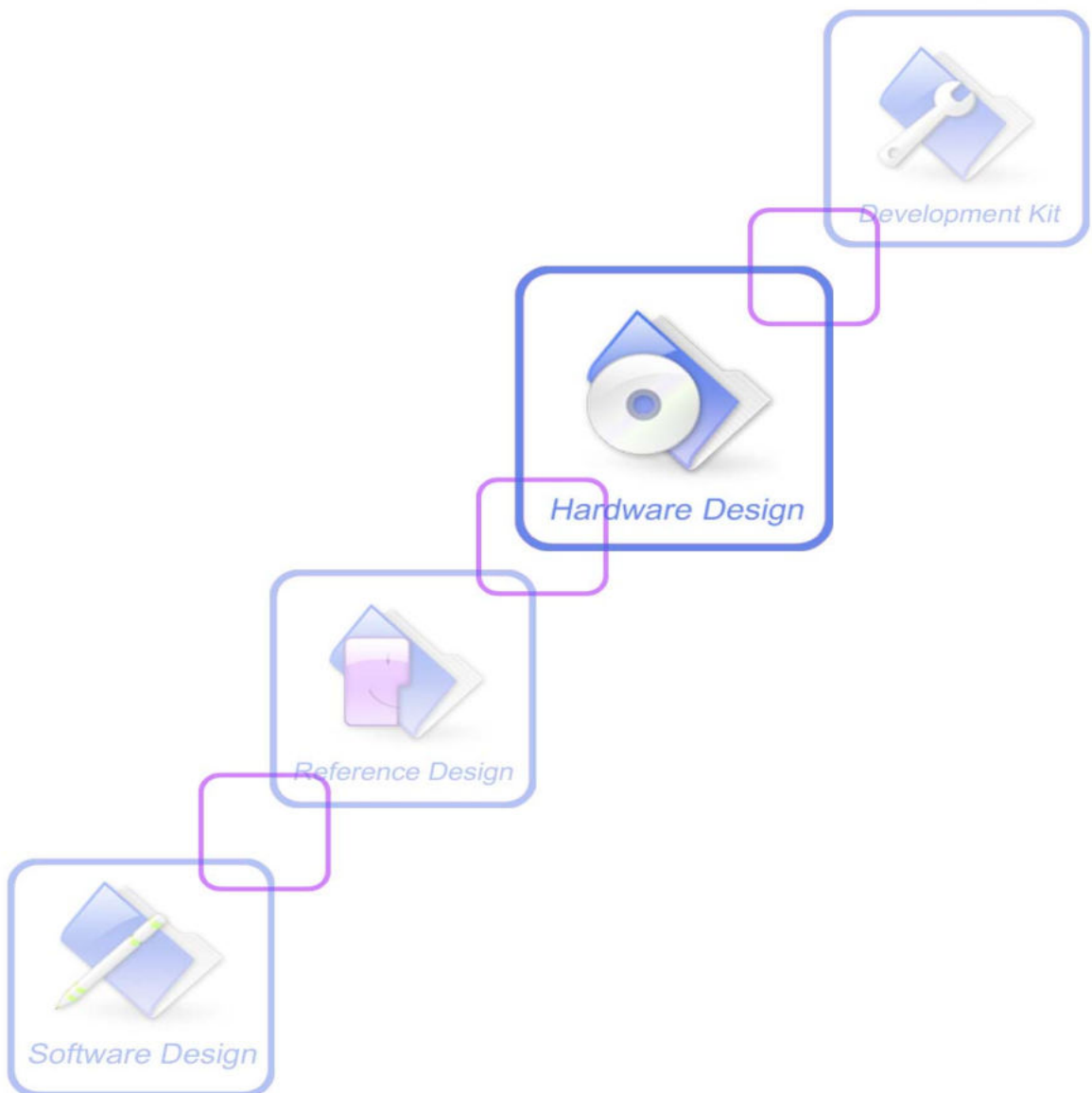




A company of SIM Tech

# SIM800\_Hardware Design\_V1.05



<b>Document Title</b>	SIM800 Hardware Design
<b>Version</b>	1.05
<b>Date</b>	2014-03-25
<b>Status</b>	Release
<b>Document Control ID</b>	SIM800_Hardware Design_V1.05

### General Notes

SIMCom offers this information as a service to its customers, to support application and engineering efforts that use the products designed by SIMCom. The information provided is based upon requirements specifically provided to SIMCom by the customers. SIMCom has not undertaken any independent search for additional relevant information, including any information that may be in the customer's possession. Furthermore, system validation of this product designed by SIMCom within a larger electronic system remains the responsibility of the customer or the customer's system integrator. All specifications supplied herein are subject to change.

### Copyright

This document contains proprietary technical information which is the property of SIMCom Limited, copying of this document and giving it to others and the using or communication of the contents thereof, are forbidden without express authority. Offenders are liable to the payment of damages. All rights reserved in the event of grant of a patent or the registration of a utility model or design. All specification supplied herein are subject to change without notice at any time.

*Copyright © Shanghai SIMCom Wireless Solutions Ltd. 2014*

## Contents

<b>Version History .....</b>	<b>9</b>
<b>1. Introduction .....</b>	<b>10</b>
<b>2. SIM800 Overview .....</b>	<b>10</b>
2.1. SIM800 Key Features .....	10
2.2. Operating Modes .....	12
2.3. SIM800 Functional Diagram .....	13
<b>3. Package Information .....</b>	<b>14</b>
3.1. Pin Out Diagram .....	14
3.2. Pin Description .....	15
3.3. Package Dimensions .....	18
<b>4. Application Interface .....</b>	<b>20</b>
4.1. Power Supply .....	20
4.1.1. Power Supply Pin .....	21
4.1.2. Monitoring Power Supply .....	22
4.2. Power on/down SIM800 .....	22
4.2.1. Power on SIM800 .....	22
4.2.2. Power down SIM800 .....	23
4.2.3. Reset Function .....	25
4.3. Power Saving Mode .....	27
4.3.1. Function Mode .....	27
4.3.2. Sleep Mode (AT+CSCLK=1) .....	27
4.3.3. Wake Up SIM800 from Sleep Mode (AT+CSCLK=1) .....	27
4.4. RTC Backup .....	28
4.5. Serial Port and USB Interface .....	29
4.5.1. Function of Serial Port .....	29
4.5.2. Serial Port .....	30
4.5.3. USB Interface .....	32
4.5.4. Software Upgrade and Debug .....	33
4.5.5. Multiplex Function of Serial Port .....	33
4.6. RI Behaviors .....	34
4.7. Audio Interfaces .....	35
4.7.1. Speaker Interfaces Configuration .....	36
4.7.2. Microphone Interfaces Configuration .....	36
4.7.3. Audio Electronic Characteristic .....	37
4.7.4. TDD .....	37
4.8. Bluetooth .....	37
4.9. SIM Card Interface .....	38
4.9.1. SIM Card Application .....	38
4.9.2. SIM Card Design Consideration .....	39
4.9.3. Design Considerations for SIM Card Holder .....	39
4.10. PCM Interface .....	41
4.10.1. PCM Multiplex Function .....	42
4.10.2. PCM Interface .....	43
4.10.3. LCD Display/SPI Interface .....	43

4.10.4.	SD Card Interface .....	44
4.11.	Keypad Interface .....	44
4.12.	I2C BUS .....	47
4.13.	General Purpose Input/Output (GPIO) .....	47
4.14.	ADC.....	48
4.15.	PWM .....	48
4.16.	Network Status Indication .....	49
4.17.	Operating Status Indication .....	50
4.18.	KPLED .....	50
4.19.	RF Synchronization Signal .....	51
4.20.	Antenna Interface .....	51
4.20.1.	GSM Antenna Interface .....	52
4.20.2.	Bluetooth Antenna Interface .....	52
<b>5.</b>	<b>PCB Layout.....</b>	<b>54</b>
5.1	PIN Assignment.....	54
5.2	Principle of PCB Layout.....	54
5.2.1	Antenna .....	54
5.2.2.	Power Supply .....	54
5.2.3	SIM Card Interface.....	54
5.2.4	Audio Interface.....	55
5.2.5	Others .....	55
<b>6.</b>	<b>Electrical, Reliability and Radio Characteristics .....</b>	<b>56</b>
6.1	Absolute Maximum Ratings .....	56
6.2	Recommended Operating Conditions.....	56
6.3	Digital Interface Characteristics .....	56
6.4	SIM Card Interface Characteristics .....	57
6.5	SIM_VDD Characteristics.....	57
6.6	VDD_EXT Characteristics.....	57
6.7	VRTC Characteristics.....	57
6.8	Current Consumption (VBAT=4V).....	58
6.9	Electro-Static Discharge .....	59
6.10	Radio Characteristics.....	59
6.11	Module RF Receive Sensitivity .....	60
6.12	Module Operating Frequencies .....	60
<b>7.</b>	<b>Manufacturing .....</b>	<b>61</b>
7.1.	Top and Bottom View of SIM800 .....	61
7.2.	Typical Solder Reflow Profile.....	61
7.3.	The Moisture Sensitivity Level .....	62
7.4.	Baking Requirements .....	62
<b>8.</b>	<b>Appendix .....</b>	<b>63</b>
I.	Related Documents.....	63
II.	Multiplex Function .....	64
III.	Terms and Abbreviations .....	65
IV.	Safety Caution .....	67

## Table Index

TABLE 1: SIM800 KEY FEATURES .....	10
TABLE 2: CODING SCHEMES AND MAXIMUM NET DATA RATES OVER AIR INTERFACE .....	12
TABLE 3: OVERVIEW OF OPERATING MODES .....	12
TABLE 4: PIN DESCRIPTION .....	15
TABLE 5: RECOMMENDED ZENER DIODE .....	20
TABLE 6: ELECTRONIC CHARACTERISTIC OF THE RESET PIN .....	26
TABLE 7: THE CURRENT CONSUMPTION OF FUNCTION MODES (BS-PA-MFRMS=5).....	27
TABLE 8: SERIAL PORT AND USB PIN DEFINITION .....	29
TABLE 9: SERIAL PORT CHARACTERISTICS .....	29
TABLE 10: VBUS OPERATION VOLTAGE .....	32
TABLE 11: MULTIPLEX FUNCTION OF SERIAL PORT .....	33
TABLE 12: RI BEHAVIORS .....	34
TABLE 13: AUDIO INTERFACE DEFINITION .....	35
TABLE 14: MICROPHONE INPUT CHARACTERISTICS .....	37
TABLE 15: AUDIO OUTPUT CHARACTERISTICS .....	37
TABLE 16: SIM PIN DEFINITION .....	38
TABLE 17: PIN DESCRIPTION (MOLEX SIM CARD HOLDER) .....	40
TABLE 18: PIN DESCRIPTION (AMPHENOL SIM CARD HOLDER).....	41
TABLE 19: PCM PIN DEFINITION .....	41
TABLE 20: PCM SPECIFICATION .....	42
TABLE 21: PCM MULTIPLEX FUNCTION: .....	42
TABLE 22: PIN DEFINITION OF THE KEYPAD INTERFACE .....	46
TABLE 23: KEYPAD MULTIPLEX FUNCTION .....	46
TABLE 24: PIN DEFINITION OF THE I2C .....	47
TABLE 25: I2C MULTIPLEX FUNCTION .....	47
TABLE 26: PIN DEFINITION OF THE GPIO .....	47
TABLE 27: PIN DEFINITION OF THE ADC .....	48
TABLE 28: ADC SPECIFICATION .....	48
TABLE 29: PIN DEFINITION OF THE PWM .....	48
TABLE 30: BUZZER OUTPUT CHARACTERISTICS .....	49
TABLE 31: PWM MULTIPLEX FUNCTION .....	49
TABLE 32: PIN DEFINITION OF THE NETLIGHT .....	49
TABLE 33: STATUS OF THE NETLIGHT PIN .....	49
TABLE 34: PIN DEFINITION OF THE STATUS .....	50
TABLE 35: PIN DEFINITION OF THE KPLED .....	50
TABLE 36: KPLED SPECIFICATION .....	51
TABLE 37: DEFINITION OF THE RF_SYNC PIN .....	51
TABLE 38: ABSOLUTE MAXIMUM RATINGS .....	56
TABLE 39: RECOMMENDED OPERATING CONDITIONS .....	56
TABLE 40: DIGITAL INTERFACE CHARACTERISTICS .....	56
TABLE 41: SIM CARD INTERFACE CHARACTERISTIC .....	57
TABLE 42: SIM_VDD CHARACTERISTICS .....	57
TABLE 43: VDD_EXT CHARACTERISTICS .....	57
TABLE 44: VRTC CHARACTERISTICS .....	57
TABLE 45: CURRENT CONSUMPTION .....	58
TABLE 46: THE ESD CHARACTERISTICS (TEMPERATURE: 25°C, HUMIDITY: 45 %).....	59

TABLE 47: GSM 900 AND GSM 850 CONDUCTED RF OUTPUT POWER .....	59
TABLE 48: DCS 1800 AND PCS 1900 CONDUCTED RF OUTPUT POWER.....	60
TABLE 49: CONDUCTED RF RECEIVE SENSITIVITY .....	60
TABLE 50: OPERATING FREQUENCIES.....	60
TABLE 51: MOISTURE CLASSIFICATION LEVEL AND FLOOR LIFE .....	62
TABLE 52: BAKING REQUIREMENTS .....	62
TABLE 53: RELATED DOCUMENTS .....	63
TABLE 54: MULTIPLEX FUNCTION .....	64
TABLE 55: TERMS AND ABBREVIATIONS.....	65
TABLE 56: SAFETY CAUTION.....	67

SIMCOM CONFIDENTIAL FILE

## Figure Index

FIGURE 1: SIM800 FUNCTIONAL DIAGRAM .....	13
FIGURE 2: SIM800 PIN OUT DIAGRAM (TOP VIEW) .....	14
FIGURE 3: DIMENSIONS OF SIM800 (UNIT: MM) .....	18
FIGURE 4: RECOMMENDED PCB FOOTPRINT OUTLINE (UNIT: MM) .....	19
FIGURE 5: REFERENCE CIRCUIT OF THE VBAT INPUT .....	20
FIGURE 6: REFERENCE CIRCUIT OF THE POWER SUPPLY .....	20
FIGURE 7: REFERENCE CIRCUIT OF THE DC-DC POWER SUPPLY .....	21
FIGURE 8: VBAT VOLTAGE DROP DURING TRANSMIT BURST .....	21
FIGURE 9: THE MINIMAL VBAT VOLTAGE REQUIREMENT AT VBAT DROP .....	22
FIGURE 10: POWER ON/DOWN MODULE USING TRANSISTOR .....	22
FIGURE 11: POWER ON/DOWN MODULE USING BUTTON .....	23
FIGURE 12: TIMING OF POWER ON MODULE .....	23
FIGURE 13: TIMING OF POWER DOWN SIM800 BY PWRKEY .....	24
FIGURE 14: RESET CIRCUIT .....	26
FIGURE 15: RESET TIMING SEQUENCE .....	26
FIGURE 16: RTC SUPPLY FROM CAPACITOR .....	28
FIGURE 17: RTC SUPPLY FROM NON-CHARGEABLE BATTERY .....	28
FIGURE 18: RTC SUPPLY FROM RECHARGEABLE BATTERY .....	28
FIGURE 19: CONNECTION OF THE SERIAL PORT .....	30
FIGURE 20: LEVEL CONVERTING BY RESISTOR .....	31
FIGURE 21: ISOLATION CIRCUIT BY DIODES .....	31
FIGURE 22: TX LEVEL CONVERTING BY TRANSISTOR .....	31
FIGURE 23: RX LEVEL CONVERTING BY TRANSISTOR .....	32
FIGURE 24: USB REFERENCE CIRCUIT .....	32
FIGURE 25: CONNECTION FOR SOFTWARE UPGRADING .....	33
FIGURE 26: RI BEHAVIOUR OF VOICE CALLING AS A RECEIVER .....	34
FIGURE 27: RI BEHAVIOUR OF DATA CALLING AS A RECEIVER .....	34
FIGURE 28: RI BEHAVIOUR OF URC OR RECEIVE SMS .....	35
FIGURE 29: RI BEHAVIOUR AS A CALLER .....	35
FIGURE 30: SPEAKER REFERENCE CIRCUIT .....	36
FIGURE 31: MICROPHONE REFERENCE CIRCUIT .....	36
FIGURE 32: REFERENCE CIRCUIT OF THE 8-PIN SIM CARD HOLDER .....	38
FIGURE 33: REFERENCE CIRCUIT OF THE 6-PIN SIM CARD HOLDER .....	39
FIGURE 34: MOLEX 91228 SIM CARD HOLDER .....	40
FIGURE 35: AMPHENOL C707 10M006 5122 SIM CARD HOLDER .....	41
FIGURE 36: PCM REFERENCE CIRCUIT .....	43
FIGURE 37: LCD REFERENCE CIRCUIT .....	43
FIGURE 38: SD REFERENCE CIRCUIT .....	44
FIGURE 39: TRADITIONAL KEYPAD REFERENCE CIRCUIT .....	44
FIGURE 40: EXTENDED KEYPAD REFERENCE CIRCUIT .....	45
FIGURE 41: ENHANCE THE ESD PERFORMANCE OF KEYPAD CIRCUIT .....	45
FIGURE 42: KEYPAD DETECTED .....	46
FIGURE 43: REFERENCE CIRCUIT OF PWM DRIVE BUZZER .....	49
FIGURE 44: REFERENCE CIRCUIT OF NETLIGHT .....	50
FIGURE 45: KPLED DRIVER REFERENCE CIRCUIT .....	50
FIGURE 46: RF_SYNC SIGNAL DURING TRANSMIT BURST .....	51

---

FIGURE 47: GSM ANTENNA MATCHING CIRCUIT .....	52
FIGURE 48: GSM SIMPLE ANTENNA MATCHING CIRCUIT .....	52
FIGURE 49: BLUETOOTH ANTENNA MATCHING CIRCUIT .....	53
FIGURE 50: TOP AND BOTTOM VIEW OF SIM800 .....	61
FIGURE 51: TYPICAL SOLDER REFLOW PROFILE .....	61

SIMCOM CONFIDENTIAL FILE



## Version History

Date	Version	Description of change	Author
2013-07-29	1.00	Origin	Ma Honggang Teng Lili
2013-08-05	1.01	Update RESET pin parameter; Update figure 12, 13, 15.	Ma Honggang
2013-08-21	1.02	Update figure 3 and figure 23; Update chapter 7.3;	Ma Honggang
2014-01-17	1.03	Update table32, correct NETLIGHT to PIN 52;	Ma Honggang
2014-03-11	1.04	Update table 11	Ma Honggang
2014-03-25	1.05	Update figure 32 and figure 33	Ma Honggang

SIMCOM CONFIDENTIAL

## 1. Introduction

This document describes SIM800 hardware interface in great detail.

This document can help user to quickly understand SIM800 interface specifications, electrical and mechanical details. With the help of this document and other SIM800 application notes, user guide, users can use SIM800 to design various applications quickly.

## 2. SIM800 Overview

Designed for global market, SIM800 is a quad-band GSM/GPRS module that works on frequencies GSM 850MHz, EGSM 900MHz, DCS 1800MHz and PCS 1900MHz. SIM800 features GPRS multi-slot class 12/ class 10 (optional) and supports the GPRS coding schemes CS-1, CS-2, CS-3 and CS-4.

With a tiny configuration of 24\*24\*3mm, SIM800 can meet almost all the space requirements in users' applications, such as M2M, smart phone, PDA and other mobile devices.

SIM800 has 68 SMT pads, and provides all hardware interfaces between the module and customers' boards.

- Support up to 5\*5\*2 Keypads.
- One full function UART port, and can be configured to two independent serial ports.
- One USB port can be used as debugging and firmware upgrading.
- Audio channels which include a microphone input and a receiver output.
- Programmable general purpose input and output.
- One SIM card interface.
- Support Bluetooth function.
- Support one PWM.
- PCM/SPI/SD card interface, only one function can be accessed synchronously. (default function is PCM)

SIM800 is designed with power saving technique so that the current consumption is as low as 1.0mA in sleep mode.

SIM800 integrates TCP/IP protocol and extended TCP/IP AT commands which are very useful for data transfer applications. For details about TCP/IP applications, please refer to *document [1]*.

### 2.1. SIM800 Key Features

**Table 1: SIM800 key features**

Feature	Implementation
Power supply	3.4V ~4.4V
Power saving	Typical power consumption in sleep mode is 1.0mA ( BS-PA-MFRMS=9 )
Frequency bands	<ul style="list-style-type: none"> <li>● SIM800 Quad-band: GSM 850, EGSM 900, DCS 1800, PCS 1900. SIM800 can search the 4 frequency bands automatically. The frequency bands also can be set by AT command “AT+CBAND”. For details, please refer to <i>document [1]</i>.</li> <li>● Compliant to GSM Phase 2/2+</li> </ul>

Transmitting power	<ul style="list-style-type: none"> <li>● Class 4 (2W):GSM850,EGSM900</li> <li>● Class 1 (1W):DCS1800,PCS1900</li> </ul>
GPRS connectivity	<ul style="list-style-type: none"> <li>● GPRS multi-slot class 12 ( default )</li> <li>● GPRS multi-slot class 1~12 (option)</li> </ul>
Temperature range	<ul style="list-style-type: none"> <li>● Normal operation:-40°C ~ +85°C</li> <li>● Storage temperature -45°C ~ +90°C</li> </ul>
Data GPRS	<ul style="list-style-type: none"> <li>● GPRS data downlink transfer: max. 85.6 kbps</li> <li>● GPRS data uplink transfer: max. 85.6 kbps</li> <li>● Coding scheme: CS-1, CS-2, CS-3 and CS-4</li> <li>● PAP protocol for PPP connect</li> <li>● Integrate the TCP/IP protocol.</li> <li>● Support Packet Broadcast Control Channel (PBCCH)</li> <li>● CSD transmission rates:2.4,4.8,9.6,14.4 kbps</li> </ul>
CSD	<ul style="list-style-type: none"> <li>● Support CSD transmission</li> </ul>
USSD	<ul style="list-style-type: none"> <li>● Unstructured Supplementary Services Data (USSD) support</li> </ul>
SMS	<ul style="list-style-type: none"> <li>● MT, MO, CB, Text and PDU mode</li> <li>● SMS storage: SIM card</li> </ul>
SIM interface	Support SIM card: 1.8V, 3V
External antenna	Antenna pad
Audio features	<p>Speech codec modes:</p> <ul style="list-style-type: none"> <li>● Half Rate (ETS 06.20)</li> <li>● Full Rate (ETS 06.10)</li> <li>● Enhanced Full Rate (ETS 06.50 / 06.60 / 06.80)</li> <li>● Adaptive multi rate (AMR)</li> <li>● Echo Cancellation</li> <li>● Noise Suppression</li> </ul>
Serial port and USB interface	<p><b>Serial port:</b></p> <ul style="list-style-type: none"> <li>● Full modem interface with status and control lines, unbalanced, asynchronous.</li> <li>● 1200bps to 115200bps</li> <li>● Can be used for AT commands for data stream</li> <li>● Support RTS/CTS hardware handshake and software ON/OFF flow control</li> <li>● Multiplex ability according to GSM 07.10 Multiplexer Protocol</li> <li>● Autobauding supports baud rate from 1200 bps to 57600bps</li> </ul> <p><b>USB interface:</b></p> <ul style="list-style-type: none"> <li>● Can be used as debugging and firmware upgrading</li> </ul>
Phonebook management	Support phonebook types: SM, FD, LD, RC, ON, MC
SIM application toolkit	Support SAT class 3, GSM 11.14 Release 99
Real time clock	Support RTC
Alarm function	Can be set by AT command
Physical characteristics	<p>Size:24*24*3mm</p> <p>Weight:3.2g</p>
Firmware upgrade	Firmware upgrading by serial port and USB interface

**Table 2: Coding schemes and maximum net data rates over air interface**

Coding scheme	1 timeslot	2 timeslot	4 timeslot
CS-1	9.05kbps	18.1kbps	36.2kbps
CS-2	13.4kbps	26.8kbps	53.6kbps
CS-3	15.6kbps	31.2kbps	62.4kbps
CS-4	21.4kbps	42.8kbps	85.6kbps

## 2.2. Operating Modes

The table below summarizes the various operating modes of SIM800.

**Table 3: Overview of operating modes**

Mode	Function
Normal operation	GSM/GPRS SLEEP Module will automatically go into sleep mode if the conditions of sleep mode are enabling and there is no on air and no hardware interrupt (such as GPIO interrupt or data on serial port). In this case, the current consumption of module will reduce to the minimal level. In sleep mode, the module can still receive paging message and SMS.
	GSM IDLE Software is active. Module registered to the GSM network, and the module is ready to communicate.
	GSM TALK Connection between two subscribers is in progress. In this case, the power consumption depends on network settings such as DTX off/on, FR/EFR/HR, hopping sequences, antenna.
	GPRS STANDBY Module is ready for GPRS data transfer, but no data is currently sent or received. In this case, power consumption depends on network settings and GPRS configuration.
	GPRS DATA There is GPRS data transfer (PPP or TCP or UDP) in progress. In this case, power consumption is related with network settings (e.g. power control level); uplink/downlink data rates and GPRS configuration (e.g. used multi-slot settings).
Power down	Normal power down by sending the AT command “AT+CPOWD=1” or using the PWRKEY. The power management unit shuts down the power supply for the baseband part of the module, and only the power supply for the RTC is remained. Software is not active. The serial port is not accessible. Power supply (connected to VBAT) remains applied.
Minimum functionality mode	AT command “AT+CFUN” can be used to set the module to a minimum functionality mode without removing the power supply. In this mode, the RF part of the module will not work or the SIM card will not be accessible, or both RF part and SIM card will be closed, and the serial port is still accessible. The power consumption in this mode is lower than normal mode.

### 2.3. SIM800 Functional Diagram

The following figure shows a functional diagram of SIM800:

- GSM baseband engine
- Flash
- GSM RF part
- Antenna interfaces
- Other interfaces

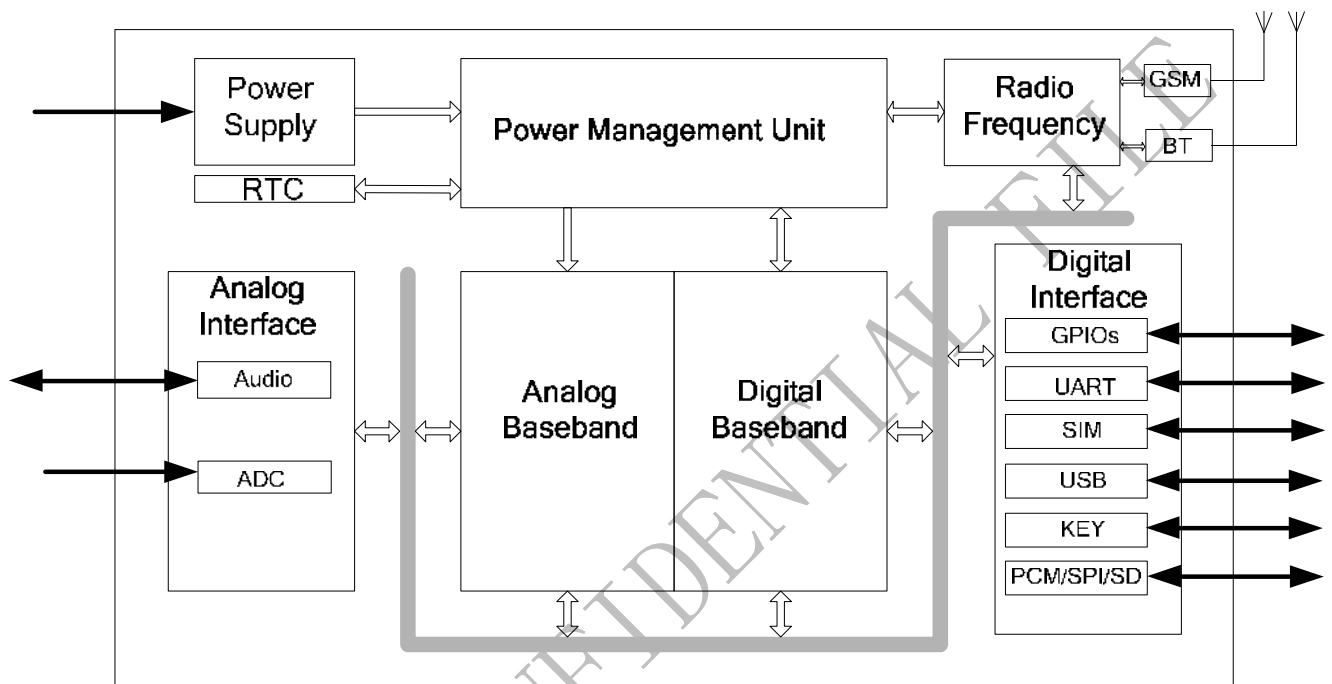


Figure 1: SIM800 functional diagram

### 3. Package Information

#### 3.1. Pin Out Diagram

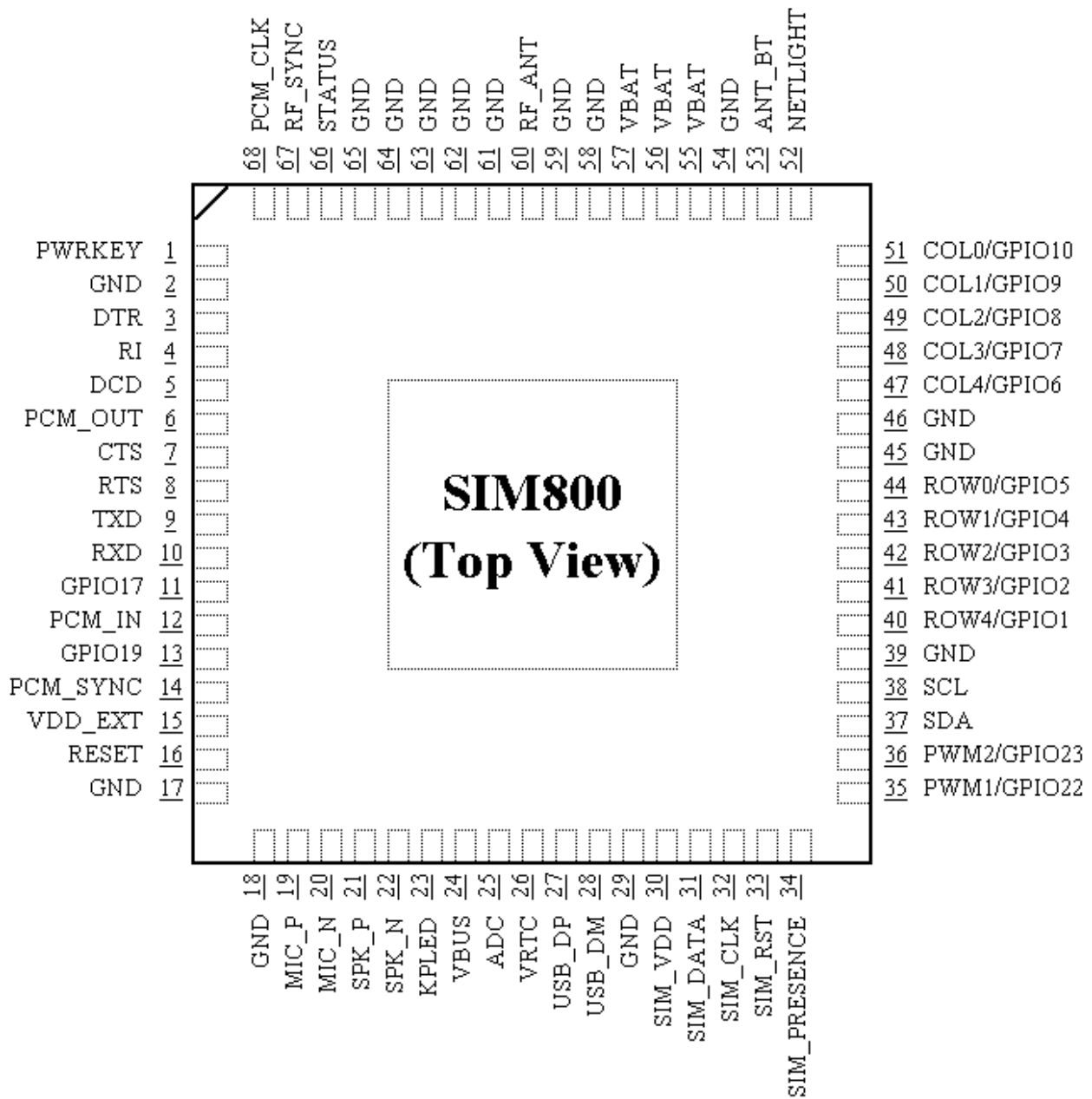


Figure 2: SIM800 pin out diagram (Top view)

### 3.2. Pin Description

**Table 4: Pin description**

Pin name	Pin number	I/O	Description	Comment
<b>Power supply</b>				
VBAT	55,56,57	I	SIM800 supplies 3 VBAT pins, and the power range is from 3.4V to 4.4V. Power supply should provide sufficient current so that the module can work normally; the peak current is nearly 2A.	Zener diode is Strongly recommended to anti surge on VBAT.
VRTC	26	I/O	Power supply for RTC	It is recommended to connect VRTC to a battery or a capacitor (e.g. 4.7uF).
VDD_EXT	15	O	2.8V power output	Keep floating if unused.
GND	2,17,18,29,39,45,46,54,58,59,61,62,63,64,65		Ground	Recommend connecting 62,63,64,65pin to the power GND.
<b>Power on/off</b>				
PWRKEY	1	I	PWRKEY should be pulled low at least 1 second and then released to power on/down the module.	Internally pulled up to VBAT.
<b>Audio interface</b>				
MICP	19	I	Differential audio input	Keep floating if unused.
MICN	20			
SPKP	21	O	Differential audio output	
SPKN	22			
<b>PCM interface</b>				
PCMOUT	6	O	PCM interface for audio	Keep floating if unused.
PCMIN	12	I		
PCMSYNC	14	O		
PCMCLK	68	I		
<b>Keypad interface</b>				
COL4	47	I	Support up to 50 buttons (5*5*2)	Keep floating if unused. (COL0 can not be pulled down).
COL3	48	I		
COL2	49	I		
COL1	50	I		
COL0	51	I		
ROW4	40	O		
ROW3	41	O		

ROW2	42	O		
ROW1	43	O		
ROW0	44	O		
<b>GPIO</b>				
GPIO17	11	I/O	Programmable general purpose input and output.	
GPIO19	13	I/O		
NETLIGHT	52	O	Network status	Can not multiplex with GPIO function.
STATUS	66	O	Power on status	
<b>Serial port</b>				
UART_DTR	3	I	Data terminal ready	Keep floating if unused.
UART_RI	4	O	Ring indicator	
UART_DCD	5	O	Data carrier detect	
CTS	7	O	Clear to send	
RTS	8	I	Request to send	
TXD	9	O	Transmit data	
RXD	10	I	Receive data	
<b>USB interface</b>				
VBUS	24	I	Debug and firmware upgrading	Keep floating if unused.
USB_DP	27	I/O		
USB_DM	28	I/O		
<b>ADC</b>				
ADC	25	I	10 bit general analog to digital converter	Keep floating if unused.
<b>PWM</b>				
PWM1/GPI O22	35	O	Pulse-width modulation, multiplex with GPIO22.	Keep floating if unused.
PWM2/GPI O23	36	O	Pulse-width modulation, multiplex with GPIO23.	
<b>I2C</b>				
SDA	37	I/O	I2C serial bus data	Internal pulled up to 2.8V via 4.7KΩ
SCL	38	O	I2C serial bus clock	
<b>SIM interface</b>				
SIM_VDD	30	O	Voltage supply for SIM card. Support 1.8V or 3V for SIM card	All signals of SIM interface should be protected against ESD with a TVS diode array.
SIM_DATA	31	I/O	SIM data input/output	
SIM_CLK	32	O	SIM clock	
SIM_RST	33	O	SIM reset	
SIM_PRESENCE	34	I	SIM card detection	
<b>Antenna</b>				
RF_ANT	60	I/O	Connect GSM antenna	Impedence must be controlled to 50Ω.



ANT_BT	53	I/O	Connect Bluetooth antenna	Impedence must be controlled to 50Ω.
<b>RF synchronization</b>				
RF_SYNC	67	O	RF burst synchronous signal	Do not pull up
<b>Other signal</b>				
RESET	16	I	Reset input(Active low)	
KPLED	23	I	Drive keypad backlight	

SIMCOM CONFIDENTIAL FILE

### 3.3. Package Dimensions

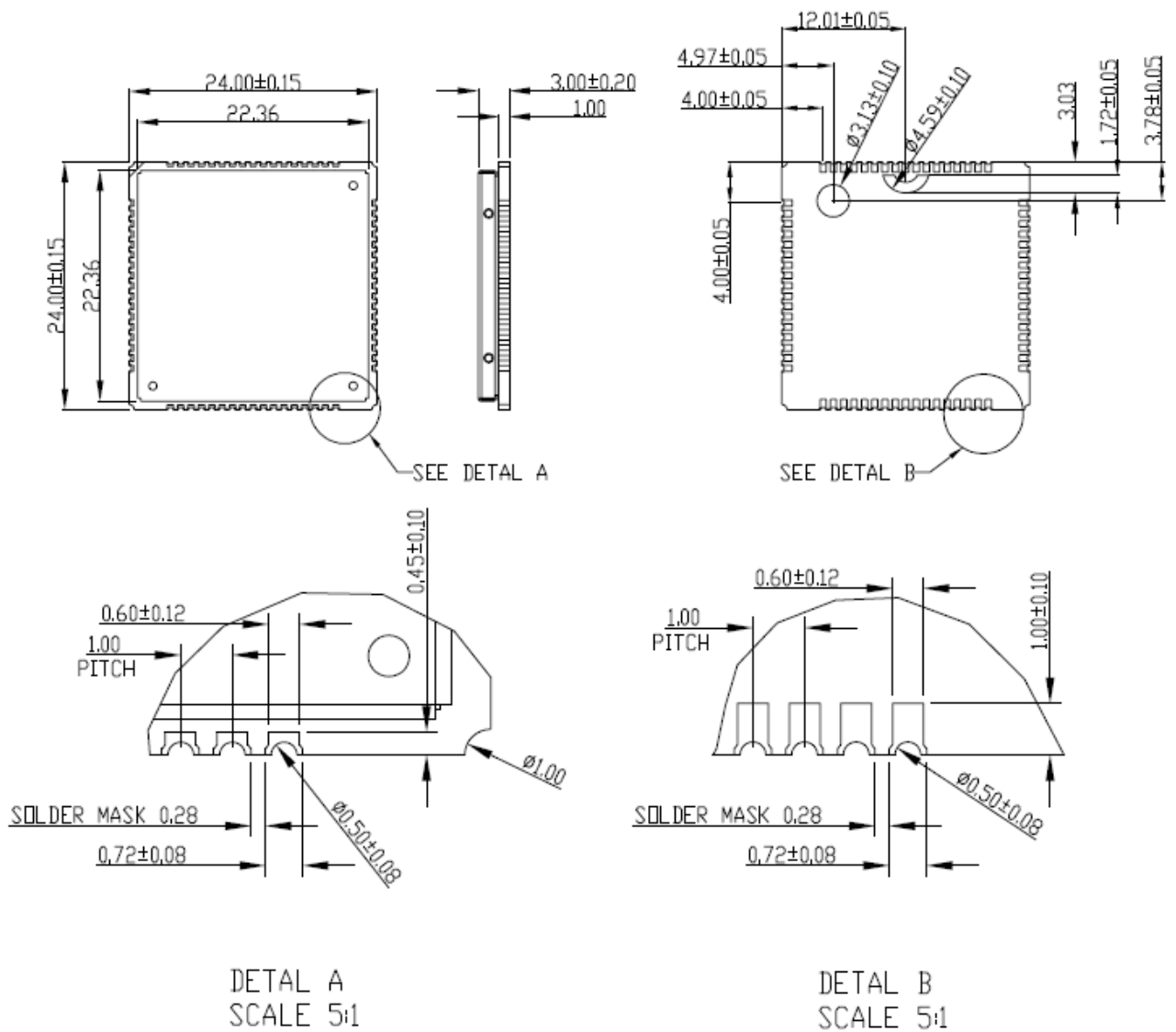


Figure 3: Dimensions of SIM800 (Unit: mm)

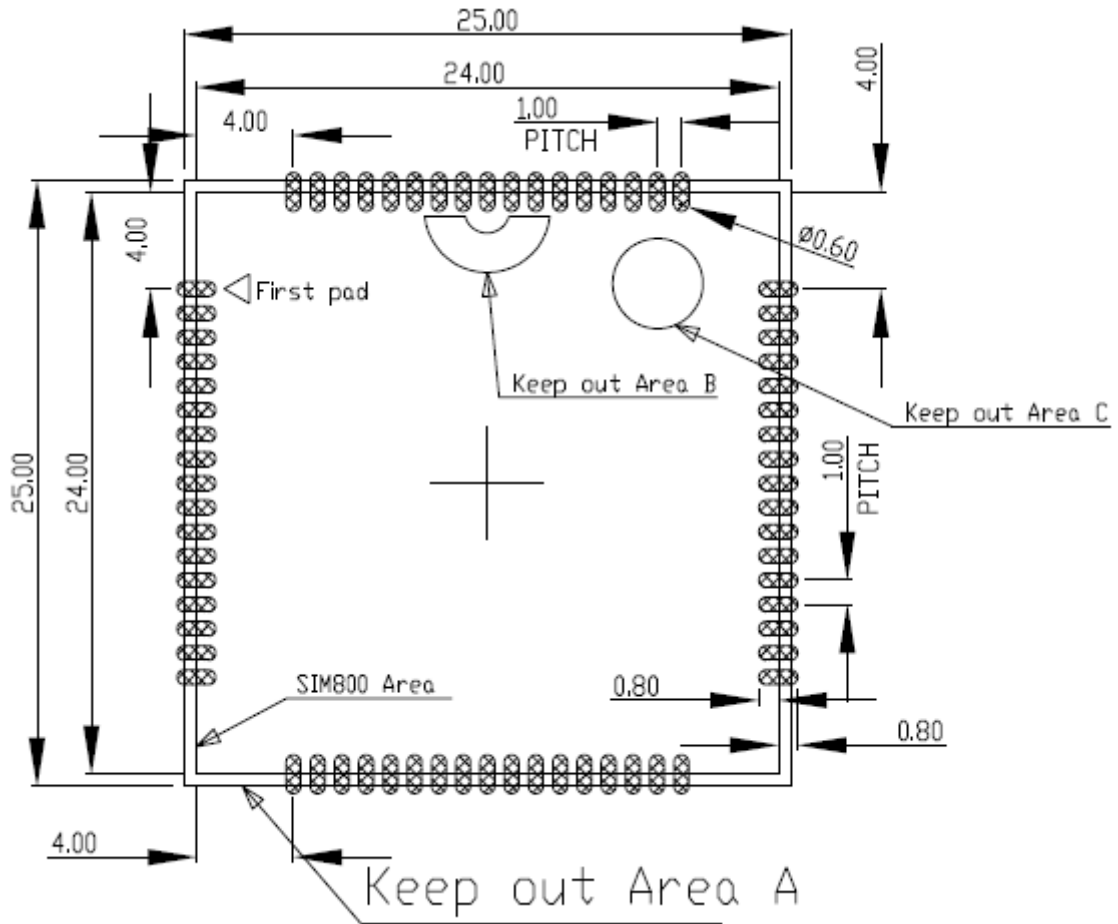


Figure 4: Recommended PCB footprint outline (Unit: mm)

SIMCOM CONF IDL

## 4. Application Interface

### 4.1. Power Supply

The power supply range of SIM800 is from 3.4V to 4.4V. Recommended voltage is 4.0V. The transmitting burst will cause voltage drop and the power supply must be able to provide sufficient current up to 2A. For the VBAT input, a bypass capacitor (low ESR) such as a 100μF is strongly recommended.

The 33pF and 10pF capacitors can effectively eliminate the high frequency interference. A 5.1V/500mW Zener diode is strongly recommended, the diode can prevent chip from damaging by the voltage surge. These capacitors and Zener diode should be placed as close to SIM800 VBAT pins as possible.

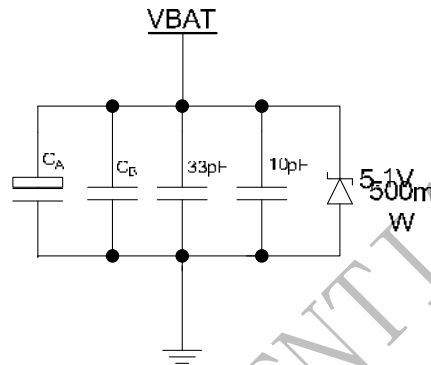


Figure 5: Reference circuit of the VBAT input

Table 5: Recommended Zener diode

	Vendor	Part number	Power (watts)	Package
1	On semi	MMSZ5231BT1G	500mW	SOD123
2	cj-elec	MMSZ5231B	500mW	SOD123
3	Prisemi	PZ3D4V2H	500mW	SOD323
4	Prisemi	PZ5D4V2H	500mW	SOD523
5	Vishay	MMSZ4689-V	500mW	SOD123
6	Crownpo	CDZ55C5V1SM	500mW	0805

The following figure is the reference design of +5V input power supply. The designed output for the power supply is 4.1V, thus a linear regulator can be used.

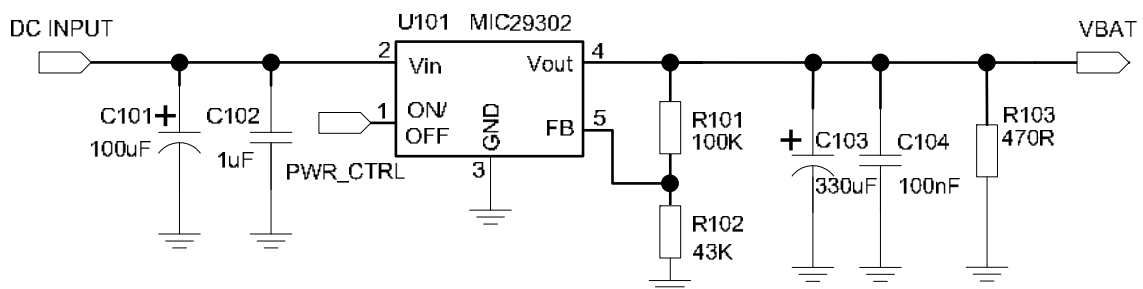


Figure 6: Reference circuit of the power supply

If there is a high drop-out between the input and the desired output (VBAT), a DC-DC power supply will be preferable because of its better efficiency especially with the 2A peak current in burst mode of the module. The following figure is the reference circuit. FB101 is very important, customer can get better EMI feature with appropriate filtering bead.

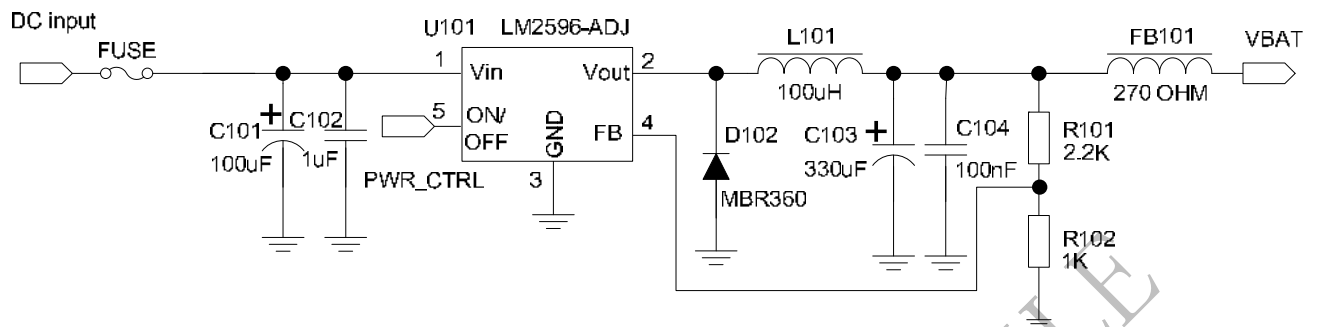


Figure 7: Reference circuit of the DC-DC power supply

The single 3.7V Li-ion cell battery can be connected to SIM800 VBAT pins directly. But the Ni-Cd or Ni-MH battery must be used carefully, since their maximum voltage can rise over the absolute maximum voltage of the module and damage it.

When battery is used, the total impedance between battery and VBAT pins should be less than 150mΩ.

The following figure shows the VBAT voltage drop at the maximum power transmit phase, and the test condition is as following:

VBAT=4.0V,  
 A VBAT bypass capacitor  $C_A=100\mu\text{F}$  tantalum capacitor (ESR=0.7Ω),  
 Another VBAT bypass capacitor  $C_B=1\mu\text{F}$ . (See  $C_A$  and  $C_B$  in figure 5)

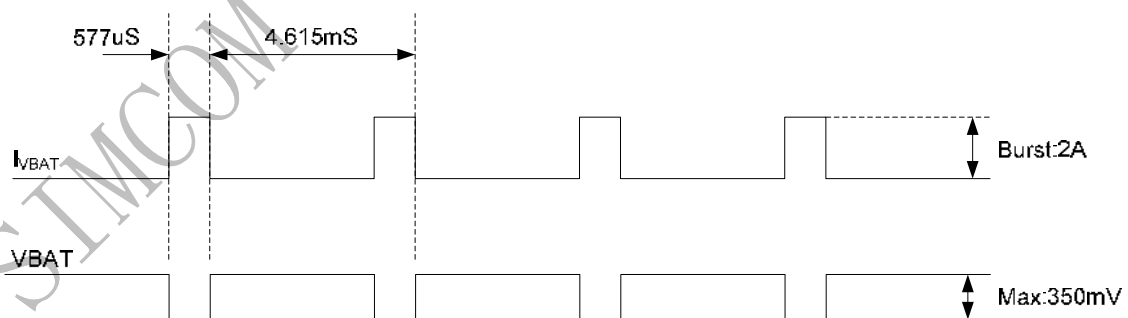


Figure 8: VBAT voltage drop during transmit burst

#### 4.1.1. Power Supply Pin

The 3 VBAT pins are used for power input, and pin 62,63,64,65 should be connected to the power GND. VRTC pin is power supply of the RTC circuit in the module. VDD\_EXT will output 2.8V when module powered up.

When designing the power supply in user’s application, pay special attention to power losses. Ensure that the

input voltage never drop below 3.0V even when current consumption rises to 2A in the transmit burst. If the power voltage drops below 3.0V, the module may be shut down automatically. The PCB traces from the VBAT pins to the power supply must be wide enough (at least 60mil) to decrease voltage drops in the transmit burst. The power IC and the bypass capacitor should be placed to the module as close as possible.

### VBAT

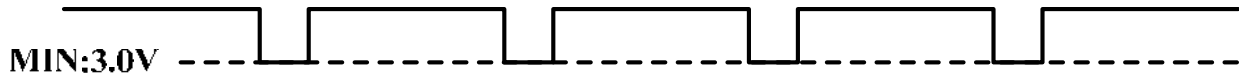


Figure 9: The minimal VBAT voltage requirement at VBAT drop

#### 4.1.2. Monitoring Power Supply

The AT command “AT+CBC” can be used to monitor the VBAT voltage. For details please refer to *document [1]*.

#### 4.2. Power on/down SIM800

##### 4.2.1. Power on SIM800

User can power on SIM800 by pulling down the PWRKEY pin at least 1 second and then release. This pin is already pulled up to VBAT in the module internal, so external pull up is not necessary. Reference circuit is shown as below.

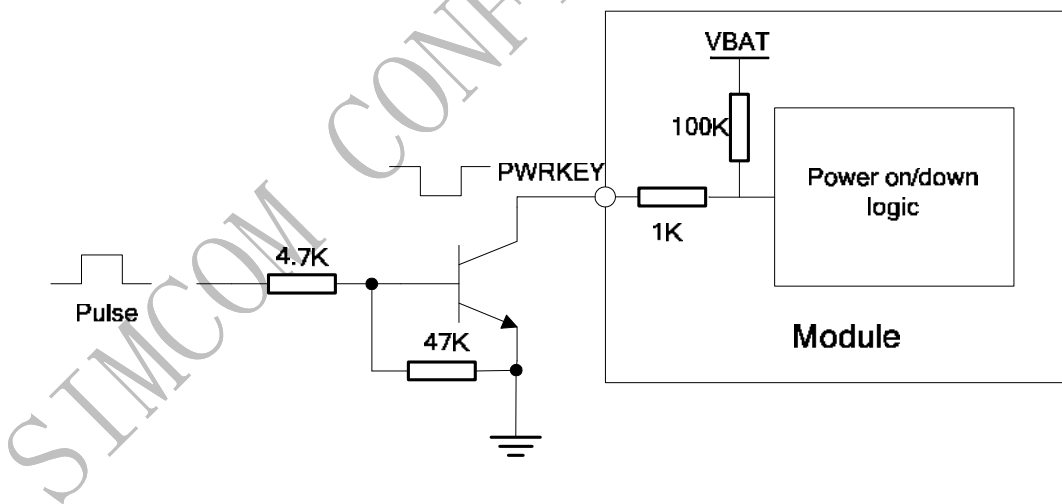


Figure 10: Power on/down module using transistor

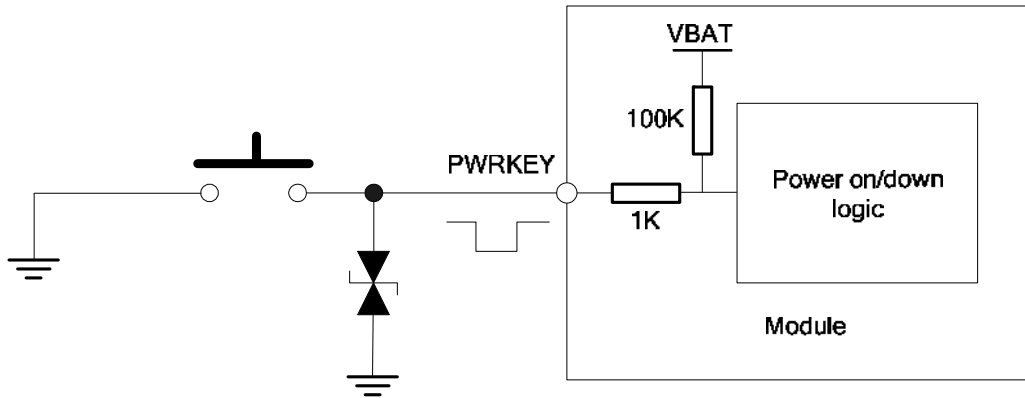


Figure 11: Power on/down module using button

The power on timing is illustrated as following figure.

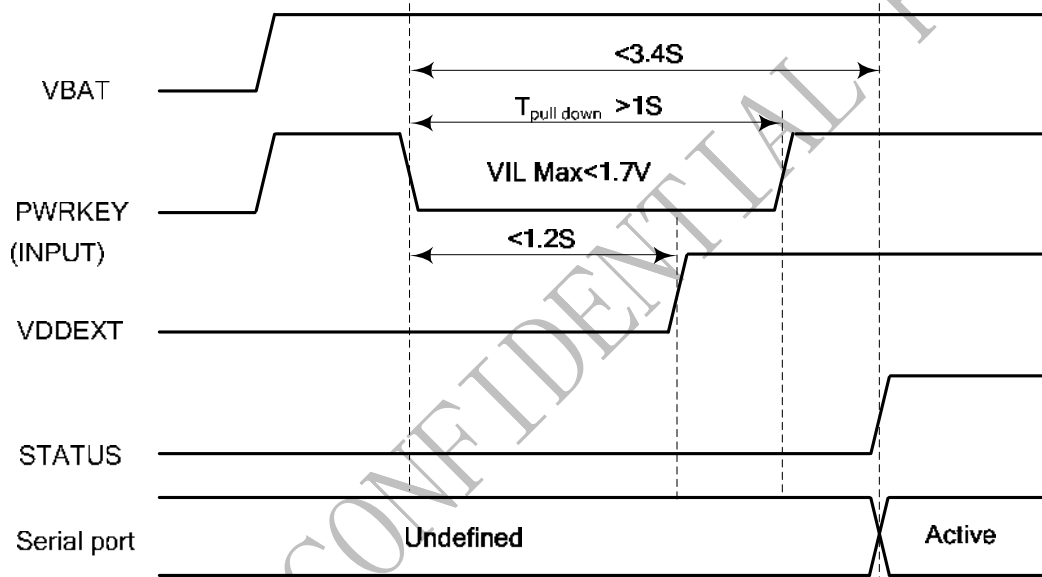


Figure 12: Timing of power on module

When power on procedure is completed, SIM800 will send following URC to indicate that the module is ready to operate at fixed baud rate.

**RDY**

This URC does not appear when autobauding function is active.

*Note: User can use AT command “AT+IPR=x” to set a fixed baud rate and save the configuration to non-volatile flash memory. After the configuration is saved as fixed baud rate, the Code “RDY” should be received from the serial port every time when SIM800 is powered on. For details, please refer to the chapter “AT+IPR” in document [1].*

#### 4.2.2. Power down SIM800

SIM800 will be powered down in the following situations:

- Normal power down procedure: power down SIM800 by the PWRKEY pin.
- Normal power down procedure: power down SIM800 by AT command “AT+CPOWD=1”.

- Abnormal power down: over-voltage or under-voltage automatic power down.
- Abnormal power down: over-temperature or under-temperature automatic power down.

#### 4.2.2.1. Power down SIM800 by the PWRKEY Pin

User can power down SIM800 by pulling down the PWRKEY pin for at least 1 second and then release. Please refer to the power on circuit. The power down sequence is illustrated in following figure.

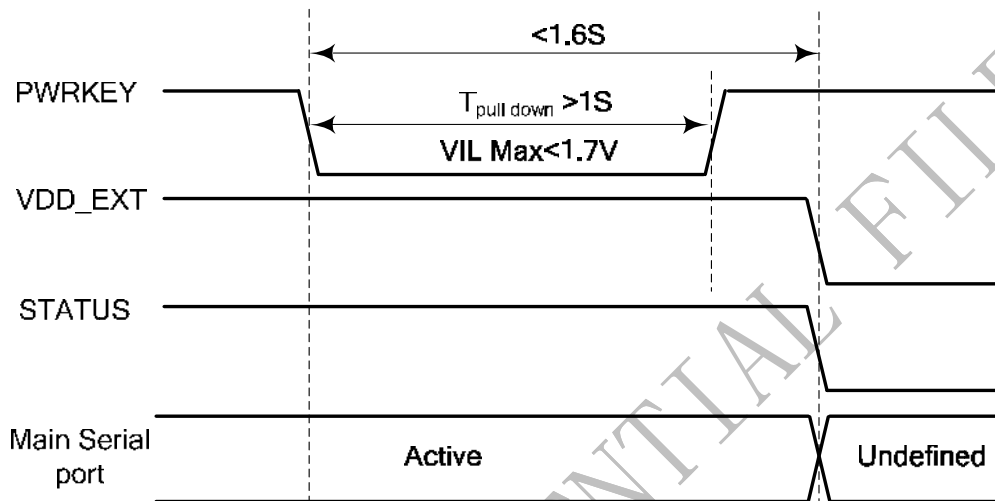


Figure 13: Timing of power down SIM800 by PWRKEY

*Note: When module is powered off by pulling down PWRKEY, the pull down time exceeds 33 seconds will course the module power up.*

This procedure makes the module log off from the network and allows the software to enter into a secure state to save data before completely shut down.

Before the completion of the power down procedure, the module will send URC:

***NORMAL POWER DOWN***

At this moment, AT commands can not be executed any more, and only the RTC is still active. Power down mode can also be indicated by STATUS pin, which is low level at this time.

#### 4.2.2.2. Power down SIM800 by AT Command

SIM800 can be powered down by AT command “AT+CPOWD=1”. This procedure makes the module log off from the network and allows the software to enter into a secure state to save data before completely shut down.

Before the completion of the power down procedure, the module will send URC:

***NORMAL POWER DOWN***

At this moment, AT commands can not be executed any more, and only the RTC is still active. Power down mode can also be indicated by STATUS pin, which is at low level at this time.

For details about the AT command “AT+CPOWD”, please refer to *document [1]*



#### 4.2.2.3. Over-voltage or Under-voltage Power down

The module software monitors the VBAT voltage constantly.

If the voltage  $\leq 3.5V$ , the following URC will be reported:

**UNDER-VOLTAGE WARNNING**

If the voltage  $\geq 4.3V$ , the following URC will be reported:

**OVER-VOLTAGE WARNNING**

If the voltage  $< 3.4V$ , the following URC will be reported, and the module will be automatically powered down.

**UNDER-VOLTAGE POWER DOWN**

If the voltage  $> 4.4V$ , the following URC will be reported, and the module will be automatically powered down.

**OVER-VOLTAGE POWER DOWN**

At this moment, AT commands can not be executed any more, and only the RTC is still active. Power down mode can also be indicated by STATUS pin, which is low level at this time.

#### 4.2.2.4. Over-temperature or Under-temperature Power down

The module will constantly monitor the temperature of the module,

If the temperature  $> +80^{\circ}C$ , the following URC will be reported:

**+CMTE: 1**

If the temperature  $< -30^{\circ}C$ , the following URC will be reported:

**+CMTE:-1**

If the temperature  $> +85^{\circ}C$ , the following URC will be reported, and the module will be automatically powered down.

**+CMTE: 2**

If the temperature  $< -40^{\circ}C$ , the following URC will be reported, and the module will be automatically powered down.

**+CMTE:-2**

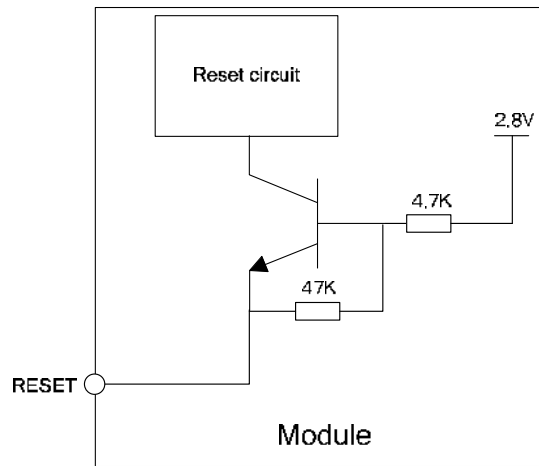
At this moment, AT commands can not be executed any more, and only the RTC is still active. Power down mode can also be indicated by STATUS pin, which is at low level at this time.

*Note: Temperature detection is disable by default, the AT command "AT+CMTE" could be used to read the temperature when the module is running. For details please refer to document [1].*

#### 4.2.3. Reset Function

SIM800 also have a RESET pin used to reset the module. This function is used as an emergency reset only when AT command "AT+CPOWD=1" and the PWRKEY pin have no effect. User can pull the RESET pin to ground, and then the module will restart.

This pin is already isolated in the module, so the external isolation is not necessary. Following figure is internal circuit of the RESET pin.

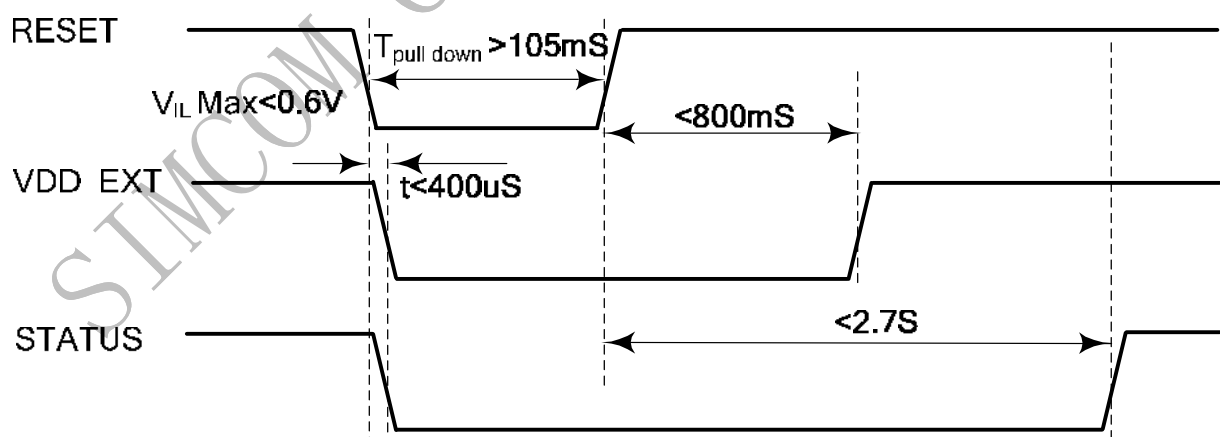

**Figure 14: Reset circuit**

The typical value of RESET pin high level is 2.8V, so for the 3V or 3.3V, customer could use MCU's GPIO to driver this pin directly, resistor in serial the RESET signal could enhance the ESD performance but the value should not be too high, otherwise the level of RESET could be lower than threshold value; RESET hardware parameters can refer to the following table.

**Table 6: Electronic characteristic of the RESET Pin**

Pin name	Symbol	Min	Typ	Max	Unit
RESET	$V_{IH}$	2.7	2.8	2.9	V
	$V_{IL}$	-	-	0.6	V
	$T_{pull\ down}$	105		-	mS

The reset scenarios are illustrated in the following figures.


**Figure 15: Reset timing sequence**

### 4.3. Power Saving Mode

SIM800 has two power saving modes: Minimum function mode and sleep mode. The AT command “AT+CSCLK=1” can be used to set SIM800 into sleep mode. The AT command “AT+CFUN=<fun>” can be used to set SIM800 into minimum function. When SIM800 is in sleep mode and minimum function mode, the current of module is the lowest.

#### 4.3.1. Function Mode

There are three function modes, which could be set by the AT command “AT+CFUN=<fun>”. The command provides the choice of the function levels <fun>=0, 1, 4.

- AT+CFUN=0: Minimum function.
- AT+CFUN=1: Full function (default).
- AT+CFUN=4: Flight mode (disable RF function).

**Table 7: The current consumption of function modes (BS-PA-MFRMS=5)**

<Fun>	Current consumption(uA) (CSCLK=1)
0	790.71
1	1307
4	833.25

Minimum function mode minimizes the current consumption to the lowest level. If SIM800 is set to minimum functionality by “AT+CFUN=0”, the RF function and SIM card function will be disabled. In this case, the serial port is still accessible, but all AT commands correlative with RF function and SIM card function will not be accessible.

For detailed information about the AT Command “AT+CFUN=<fun>”, please refer to *document [1]*.

#### 4.3.2. Sleep Mode (AT+CSCLK=1)

User can control SIM800 module to enter or exit the sleep mode (AT+CSCLK=1) by DTR signal. When DTR is in high level and without interrupt (on air and hardware such as GPIO interrupt or data in serial port), SIM800 will enter sleep mode automatically. In this mode, SIM800 can still receive paging or SMS from network but the serial port is not accessible.

**Note: Autobauding is the default setting. Module can not enter sleep mode if the baud rate of MCU’s serial port not synchronous with module after module power on.**

#### 4.3.3. Wake Up SIM800 from Sleep Mode (AT+CSCLK=1)

When SIM800 is in sleep mode (AT+CSCLK=1), the following methods can wake up the module:

- Pull down DTR pin.  
The serial port will be active after DTR pin is pulled to low level for about 50ms.
- Receive a voice or data call from network.
- Receive a SMS from network.
- Receive external interrupt

## 4.4. RTC Backup

VRTC is an input pin when the VBAT is not supplied by external power. When the VBAT power supply is in present and the backup battery is in low voltage state, VRTC can charge the backup battery. The RTC power supply of module can be provided by an external capacitor or a battery (non-chargeable or rechargeable) through the VRTC. The following figures show various reference circuits for RTC back up.

- **External capacitor backup**

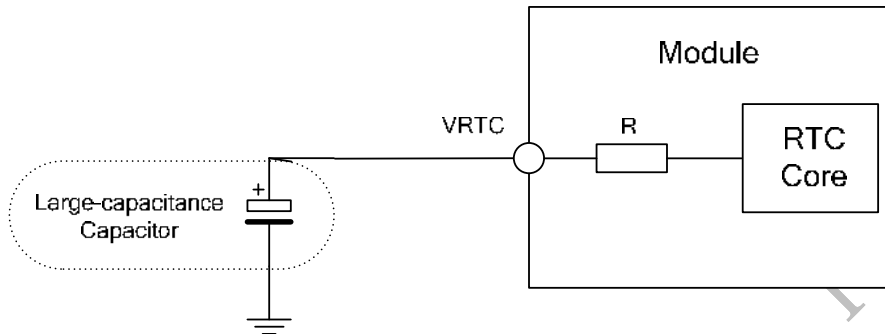


Figure 16: RTC supply from capacitor

- **Non-chargeable battery backup**

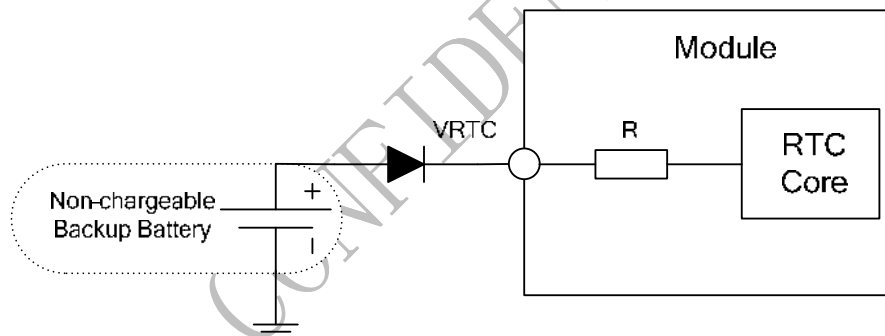


Figure 17: RTC supply from non-chargeable battery

- **Rechargeable battery backup**

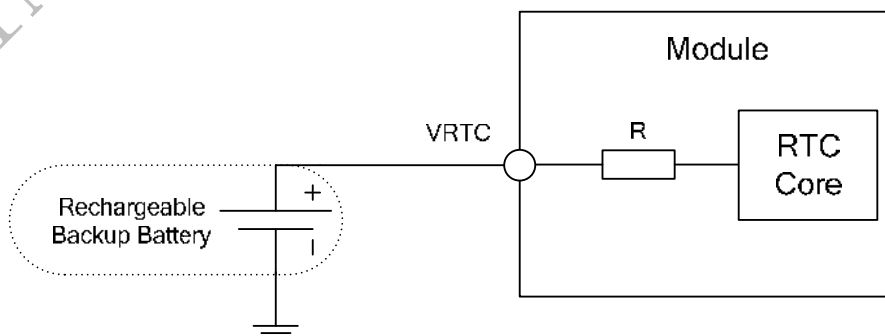


Figure 18: RTC supply from rechargeable battery

## 4.5. Serial Port and USB Interface

SIM800 provides one unbalanced asynchronous serial port. The module is designed as a DCE (Data Communication Equipment). The following figure shows the connection between module and client (DTE).

**Table 8: Serial port and USB pin definition**

	Name	Pin number	Function
Serial port	UART_DTR	3	Data terminal ready
	UART_RI	4	Ring indicator
	UART_DCD	5	Data carrier detect
	CTS	7	Clear to send
	RTS	8	Request to send
	TXD	9	Transmit data
	RXD	10	Receive data
USB interface	VBUS	24	USB power supply
	USB_DP	27	USB data line positive
	USB_DM	28	USB data line minus

*Note: Hardware flow control is disabled by default. The AT command “AT+IFC=2,2” can enable hardware flow control. The AT command “AT+IFC=0,0” can disable hardware flow control. For more details, please refer to document [1].*

**Table 9: Serial port characteristics**

Symbol	Min	Max	Unit
V <sub>IL</sub>	0	0.3	V
V <sub>IH</sub>	2.5	2.8	V
V <sub>OL</sub>	0	0.1	V
V <sub>OH</sub>	2.7	2.8	V

### 4.5.1 Function of Serial Port

Serial port:

- Full modem device.
- Contains data lines TXD and RXD, hardware flow control lines RTS and CTS, status lines DTR, DCD and RI.
- Serial port can be used for CSD FAX, GPRS service and AT communication. It can also be used for multiplex function. For details about multiplex function, please refer to *table 11*.
- Serial port supports the following baud rates:  
1200, 2400, 4800, 9600, 19200, 38400, 57600 and 115200bps
- Autobauding only supports the following baud rates:  
1200, 2400, 4800, 9600, 19200, 38400, 57600 and 115200bps
- The default setting is autobauding.

Autobauding allows SIM800 to automatically detect the baud rate of the host device. Pay more attention to the following requirements:

- **Synchronization between DTE and DCE:**

When DCE powers on with autobauding enabled, firstly, user must send character “A” or “a” to synchronize the baud rate. It is recommended to send “AT” until DTE receives the “OK” response, which means DTE and DCE are correctly synchronized. For more information please refer to the AT command “AT+IPR”.

- **Restrictions of autobauding operation:**

The DTE serial port must be set at 8 data bits, no parity and 1 stop bit.

The URC such as "RDY", "+CFUN: 1" and "+CPIN: READY" will not be reported.

*Note: User can use AT command “AT+IPR=x” to set a fixed baud rate and the setting will be saved to non-volatile flash memory automatically. After the configuration is set as fixed baud rate, the URC such as “RDY”, “+CFUN: 1” and “+CPIN: READY” will be reported when SIM800 is powered on.*

#### 4.5.2 Serial Port

The following figure shows the connection between module and client (DTE).

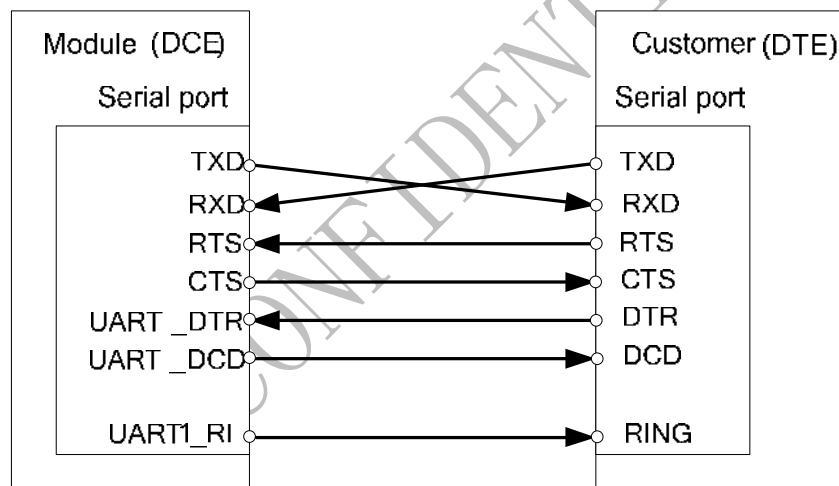


Figure 19: Connection of the serial port

If the voltage of UART is 3.3V, the following reference circuits are recommended. If the voltage is 3.0V, please change the resistors in the following figure from 5.6K to 14K.

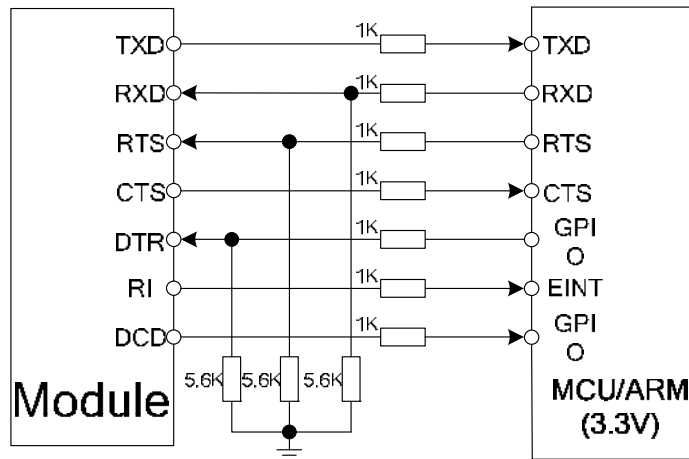


Figure 20: Level converting by resistor

If the voltage of UART is 3V or 3.3V, user also can use following reference circuits:

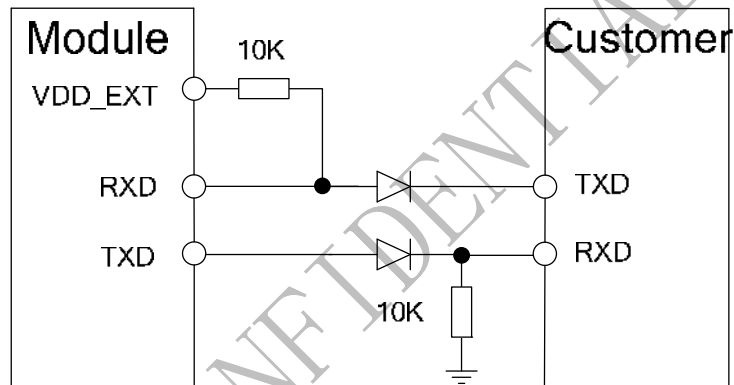


Figure 21: Isolation circuit by diodes

*Note: when a diode used to isolate voltage cross, customer should notice that there's voltage drop on the diode. And the signal's voltage level should meet the customer's electrical character. The recommend diode is Schottky diode e.g. RB551V-30TE-17 and SDM20U40.*

If the voltage of UART is 5V on customer side, customer can use the following reference circuits :

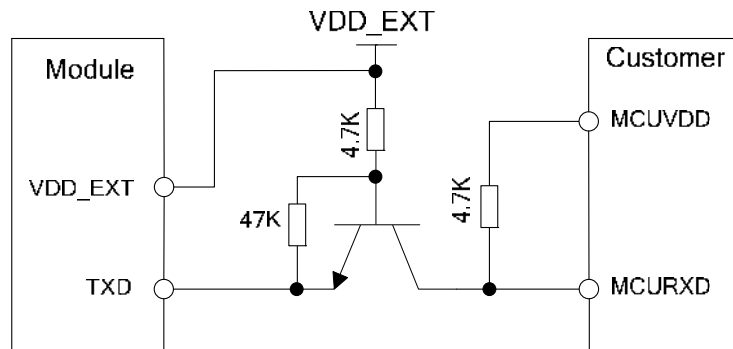


Figure 22: TX level converting by transistor

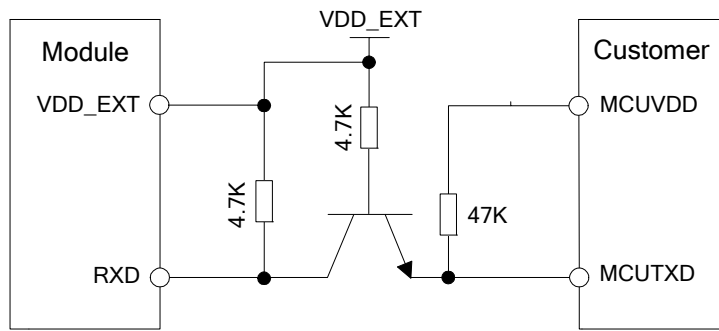


Figure 23: RX level converting by transistor

**Note:** The recommend Transistors' part numbers are 2SC4617TLR and PBHV8115Z. when update firmware via the TXD/RXD circuit as figure 22 and figure 23 shows, customer should make sure the VDD\_EXT has voltage output, or a external LDO should be added to power VDD\_EXT.

### 4.5.3 USB Interface

USB interface supports software debug function. When power on the module, connect VBUS, USB\_DP, USB\_DM and GND to PC, then install the driver successfully, a UART port could be recognized by the PC, customer could achieve the software Debug purpose with this UART port.

The following diagram is recommended:

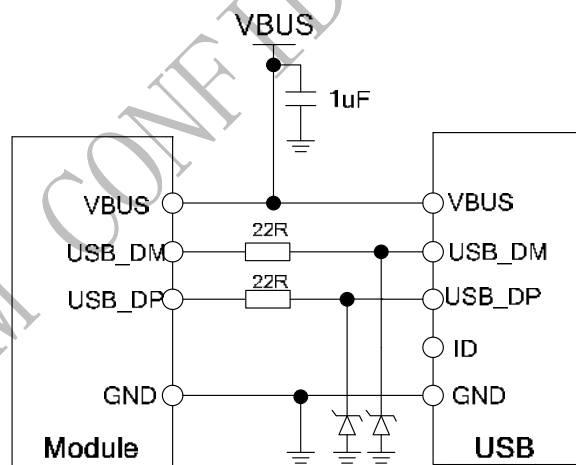


Figure 24: USB reference circuit

The maximum allowable cap load of TVS on USB data line should be less than 5pF (e.g. ESD9L5.0ST5G and ESD9M5.0ST5G). The USB\_DP and USB\_DM should be routed in differential traces.

**Note:** please reserve the USB interface or test point for debug.

Table 10: VBUS operation voltage

Pin	Min	Typ	Max	Unit
VBUS	4.3	5	7	V

**Note:** VBUS is only used for USB inserting detection, can not be used as a power source.



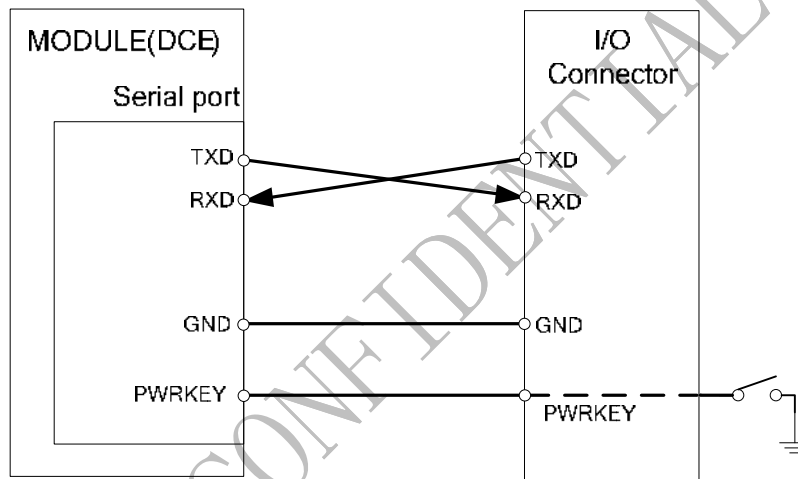
#### 4.5.4 Software Upgrade and Debug

USB and UART interfaces can be used for firmware upgrade.

If customer upgrading firmware via the USB port, SIM800 must be powered first, then connect VBUS, USB\_DP, USB\_DM and GND to PC. There is no need to operate PWRKEY pin in the whole procedure, when SIM800 detects VBUS and could communicate normally by USB\_DP and USB\_DM, module will enter USB download mode automatically.

**Note: When only USB\_DP and USB\_DM connected, no VBUS, customer need to pull down COL0 before power on the module, then press the PWRKEY button, the module will enter download mode;**

If customer upgrading firmware via the UART port, it is strongly recommended that reserve the UART\_TXD, UART\_RXD, GND and PWRKEY pins to IO connector for the upgrade, and PWRKEY pin should connect to GND while upgrading. Refer to the following figure for upgrading software.



**Figure 25: Connection for software upgrading**

The serial port supports the CMOS level. If user connects the module to the computer, the level shifter should be added between the DCE and DTE.

#### 4.5.5 Multiplex Function of Serial Port

If full modem function is not used, the UART port could be configured to two serial ports without flow control, the details could be founded in the following table:

**Table 11: Multiplex function of serial port**

Name	Pin	Mode 0(default)	Mode 1
UART_DTR	3	UART_DTR	GPIO22
UART_RI	4	UART_RI	GPIO23
UART_DCD	5	UART_DCD	GPIO24
CTS	7	CTS	URXD2(IN)
RTS	8	RTS	UTXD2(OUT)

TXD	9	TXD	UTXD1(OUT)
RXD	10	RXD	URXD1(IN)

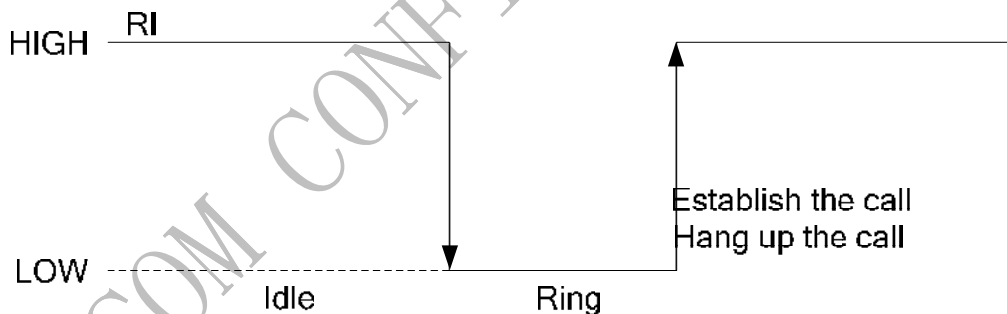
*Note: Multiplex Function needs different software version.*

#### 4.6. RI Behaviors

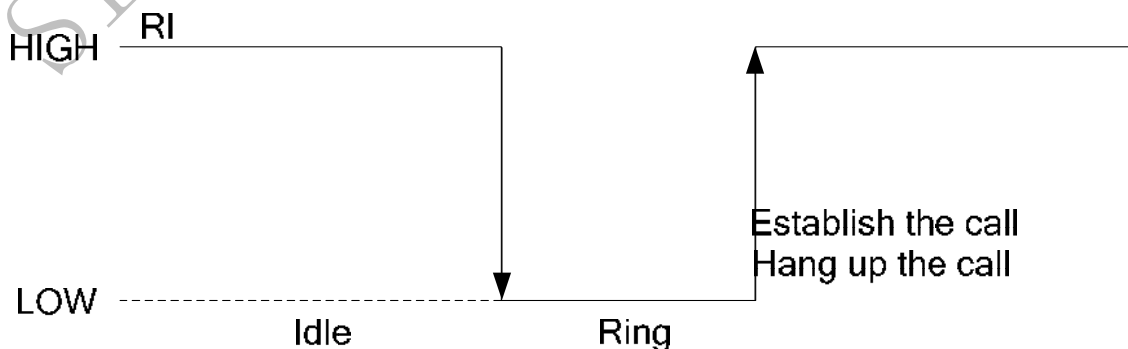
**Table 12: RI Behaviors**

State	RI response
Standby	High
Voice call	The pin is changed to low. When any of the following events occur, the pin will be changed to high: (1) Establish the call (2) Hang up the call
Data call	The pin is changed to low. When any of the following events occur, the pin will be changed to high: (1) Establish the call (2) Hang up the call
SMS	The pin is changed to low, and kept low for 120ms when a SMS is received. Then it is changed to high.
URC	The pin is changed to low, and kept low for 120ms when some URCs are reported. Then it is changed to high. For more details, please refer to <i>document [10]</i> .

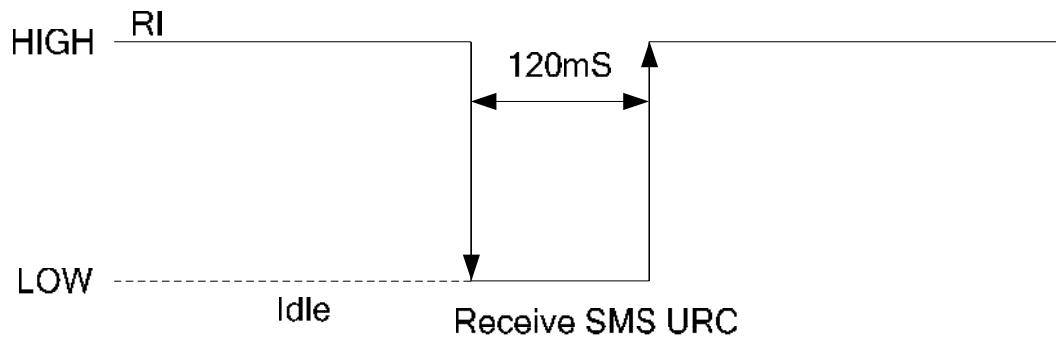
The behavior of the RI pin is shown in the following figure when the module is used as a receiver.



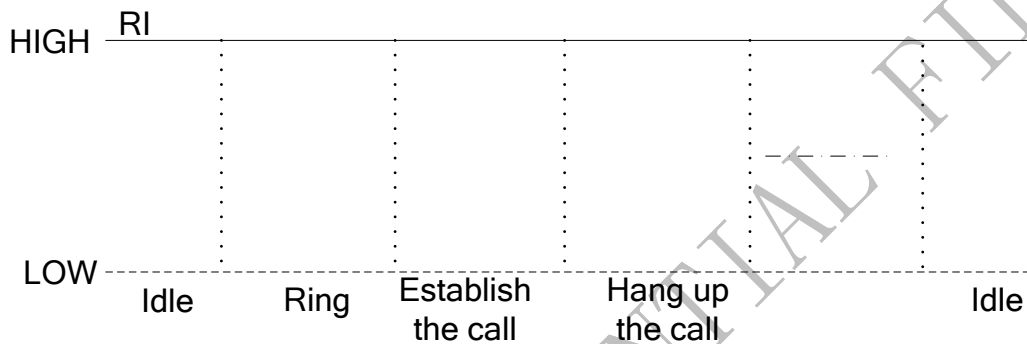
**Figure 26: RI behaviour of voice calling as a receiver**



**Figure 27: RI behaviour of data calling as a receiver**


**Figure 28: RI behaviour of URC or receive SMS**

However, if the module is used as caller, the RI will remain high. Please refer to the following figure.


**Figure 29: RI behaviour as a caller**

#### 4.7. Audio Interfaces

SIM800 provides one analog input, which could be used for electret microphone. The module also provides one analog output. The output can directly drive 32Ω receiver.

**Table 13: Audio interface definition**

	Pin name	Pin number	Function
Audio channel	MICP	19	Main Audio input positive
	MICN	20	Main Audio input negative
	SPKP	21	Main Audio output positive
	SPKN	22	Main Audio output negative

“AT+CMIC” is used to adjust the input gain level of microphone. “AT+SIDET” is used to set the side-tone level. In addition, “AT+CLVL” is used to adjust the output gain level. For more details, please refer to *document [1]*

In order to improve audio performance, the following reference circuits are recommended. The audio signals have to be layout according to differential signal layout rules as shown in following figures.

### 4.7.1. Speaker Interfaces Configuration

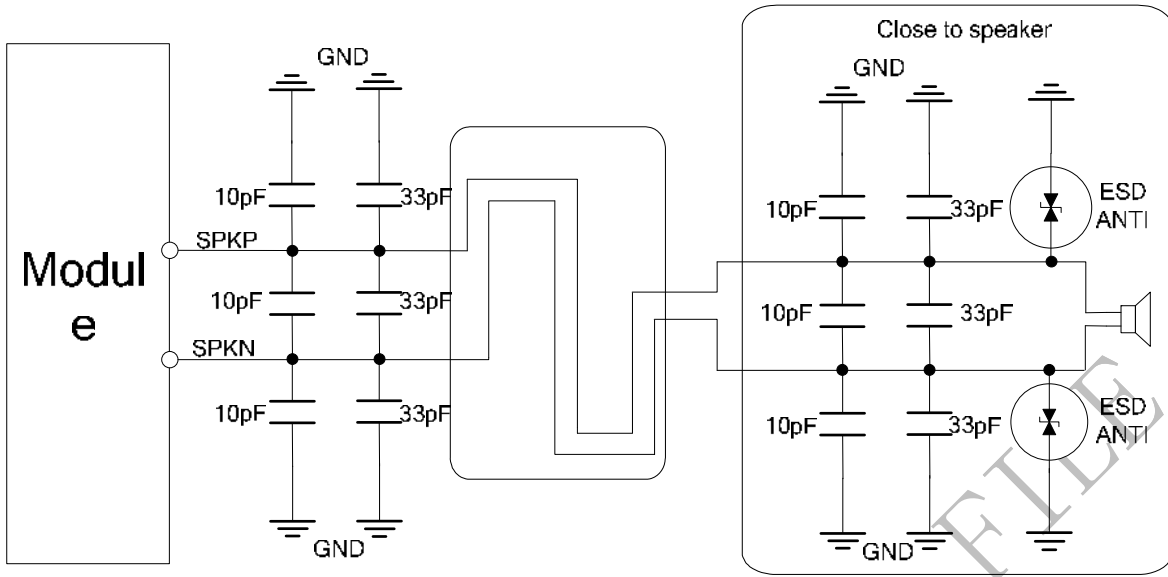


Figure 30: Speaker reference circuit

### 4.7.2. Microphone Interfaces Configuration

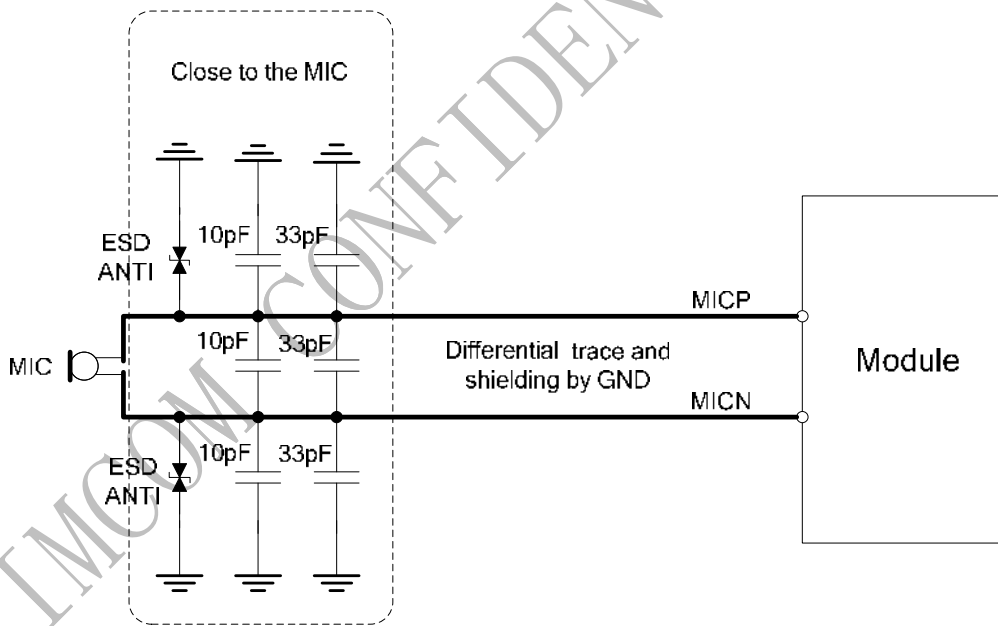


Figure 31: Microphone reference circuit

### 4.7.3. Audio Electronic Characteristic

**Table 14: Microphone input characteristics**

Parameter		Min	Typ	Max	Unit
Mic biasing voltage			1.9	2.2	V
Working Current				2	mA
Input impedance(differential)		13	20	27	K $\Omega$
Idle channel noise				-67	dBm
SINAD	Input level:-40dBm0	29			dB
	Input level:0dBm0		69		dB

**Table 15: Audio output characteristics**

parameter	Conditions	Min	Typ	Max	Unit
Normal output	$R_L=32\ \Omega$ receiver	-	90	-	mW

### 4.7.4. TDD

GSM signal could interfere audio by coupling or conducting. Coupling noise could be filtered by adding 33 pF and 10pF capacitor over audio lines. 33pF capacitor could eliminate noise from GSM900MHz, while 10pF capacitor could eliminate noise from DCS1800MHz frequency. Coupling noise has great relatives with PCB layout. Under some scenarios, TDD noise from GSM 900MHz frequency affects heavily, but some different story is from GSM1800MHz frequency, so customer should develop this filter solution according to field test result.

GSM antenna is the key coupling interfering source of TDD noise. Pay attention to the layout of audio lines which should be far away from RF cable & antenna and VBAT pin. The bypass capacitor for filtering should be placed near module and another group placed near to connector.

Conducting noise is mainly caused by the VBAT drop. If Audio PA was powered by VBAT directly, then there will be some cheap noise from SPK output easily. So, it's better to put big capacitor and ferrite bead near audio PA input.

TDD noise has something to do with GND signal surely. if GND signal issued not good, lots of high-frequency noise will interfere MIC and speaker over bypass capacitor. So, take care of GND well during PCB layout.

## 4.8. Bluetooth

SIM800 supports Bluetooth function, customer only needs to design the Bluetooth antenna, and then customer can operate Bluetooth conveniently by AT commands. For the detail commands about Bluetooth please refer to *document [1]*

- Fully compliant with Bluetooth specification 3.0 + EDR
- Support operation with GPS and GSM/GPRS worldwide radio systems
- Fully integrated PA provides 10dbm output power
- Up to 4 simultaneous active ACL links
- Support sniff mode
- Supports PCM interface and built-in programmable transcoders for liner voice with transmission

#### 4.9. SIM Card Interface

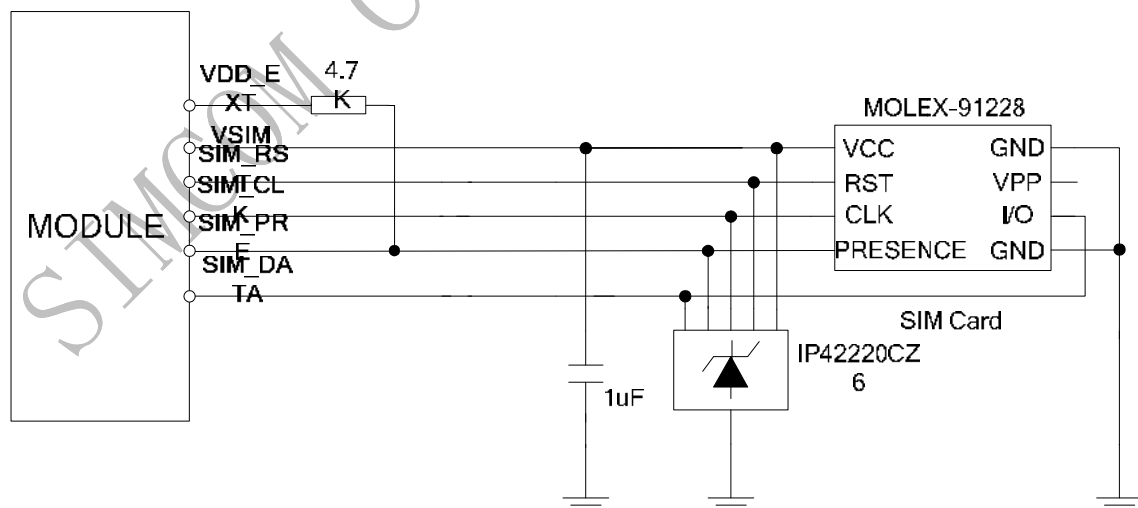
The SIM interface complies with the GSM Phase 1 specification and the new GSM Phase 2+ specification for FAST 64 kbps SIM card. Both 1.8V and 3.0V SIM card are supported. The SIM interface is powered from an internal regulator in the module.

##### 4.9.1. SIM Card Application

**Table 16: SIM pin definition**

Name	Pin	function
VSIM	30	Voltage supply for SIM card. Support 1.8V or 3V SIM card
SIM_DATA	31	SIM data input/output
SIM_CLK	32	SIM clock
SIM_RST	33	SIM reset
SIM_PRE	34	SIM card detection

It is recommended to use an ESD protection component such as PHILIPS (www.ohilips.com ) IP42220CZ6. The SIM peripheral circuit should be close to the SIM card socket. The reference circuit of the 8-pin SIM card holder is illustrated in the following figure.



**Figure 32: Reference circuit of the 8-pin SIM card holder**

The SIM\_PRESENCE pin is used for detection of the SIM card hot plug in. User can select the 8-pin SIM card holder to implement SIM card detection function. AT command “AT+CSDT” is used to enable or disable SIM

card detection function. For details of this AT command, please refer to *document [1]*.

If the SIM card detection function is not used, user can keep the SIM\_PRESENCE pin open. The reference circuit of 6-pin SIM card holder is illustrated in the following figure.

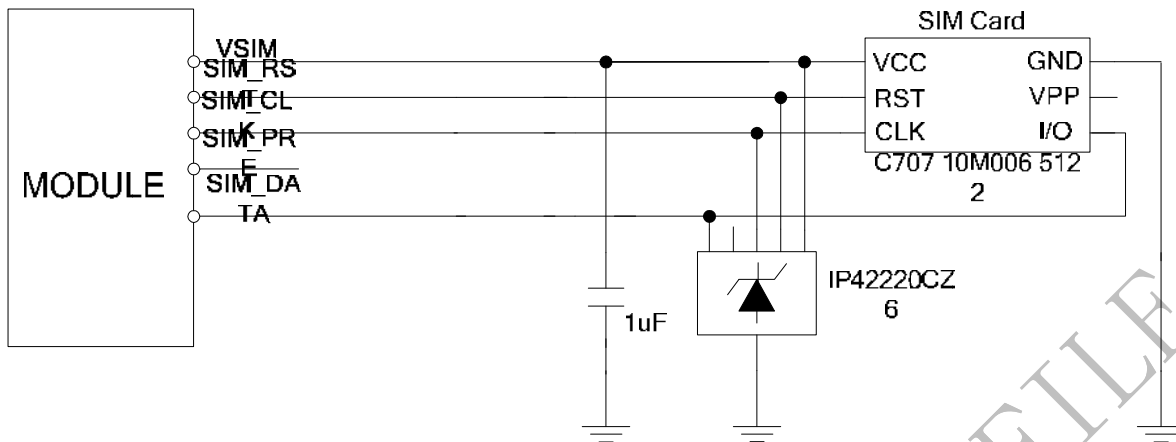


Figure 33: Reference circuit of the 6-pin SIM card holder

#### 4.9.2. SIM Card Design Consideration

SIM card circuit is susceptible to interference, causing the SIM card failures or some other situations, so it is strongly recommended to follow these guidelines while designing:

- Make sure that SIM card holder should far away from GSM antenna while in PCB layout.
- SIM traces should keep away from RF lines, VBAT and high-speed signal lines.
- The traces should be as short as possible.
- Keep SIM holder's GND connect to main ground directly.
- Shielding the SIM card signal by ground well.
- Recommended to place a 1uF capacitor on VSIM line and keep close to the holder.
- Add some TVS and the parasitic capacitance should not exceed 50pF, and 22Ω resistor in serials the SIM signal could enhance ESD protection.

#### 4.9.3. Design Considerations for SIM Card Holder

For 8 pins SIM card holder, SIMCom recommends to use Molex 91228. User can visit <http://www.molex.com> for more information about the holder.

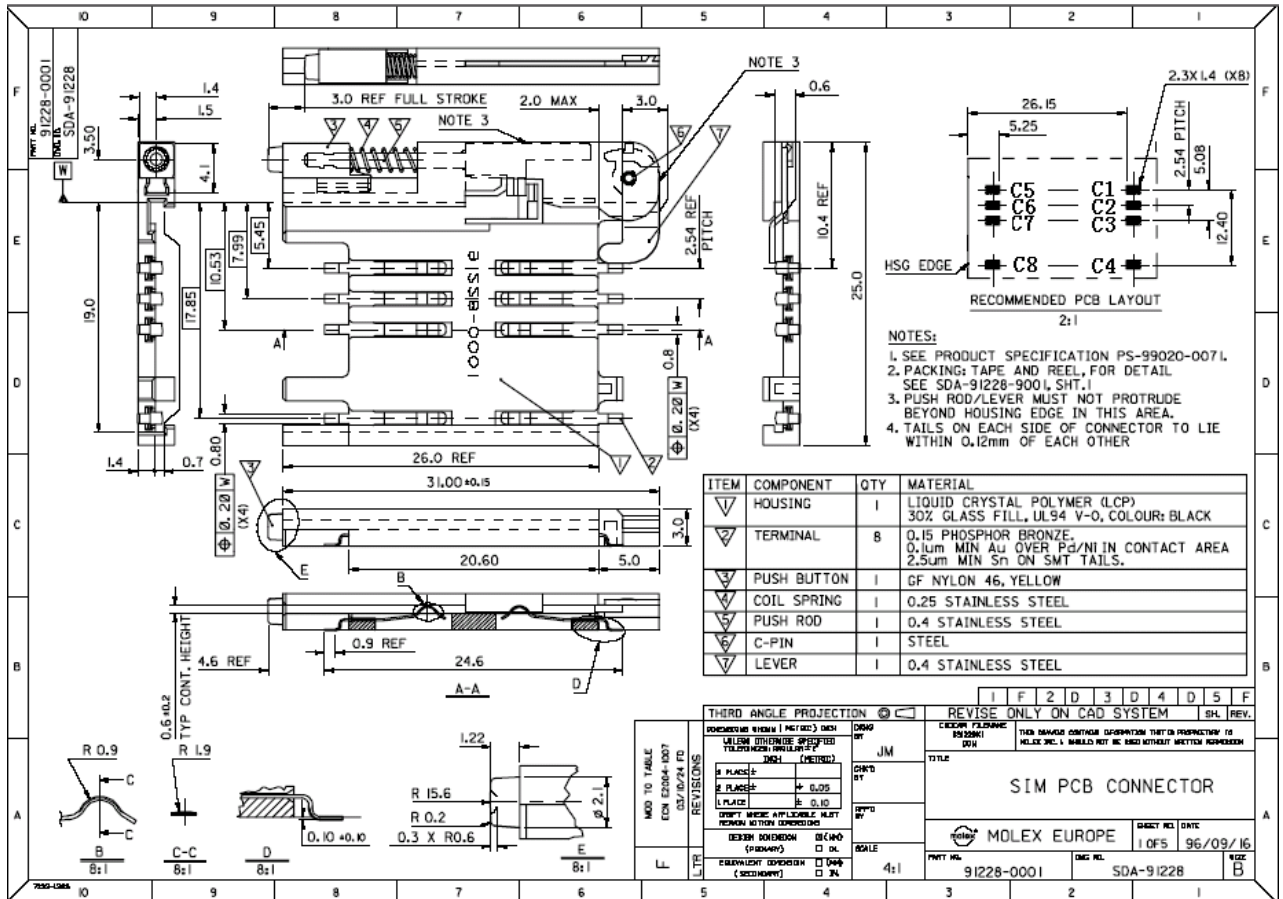


Figure 34: Molex 91228 SIM card holder

Table 17: Pin description (Molex SIM card holder)

Pin name	Signal	Description
C1	VSIM	SIM card power supply
C2	SIM_RST	SIM card reset
C3	SIM_CLK	SIM card clock
C3	GND	Connect to GND
C5	GND	Connect to GND
C6	VPP	Not connect
C7	SIM_DATA	SIM card data I/O
C8	SIM_PRE	Detect SIM card presence

For 6-pin SIM card holder, SIMCom recommends to use Amphenol C707 10M006 5122 .User can visit <http://www.amphenol.com> for more information about the holder.



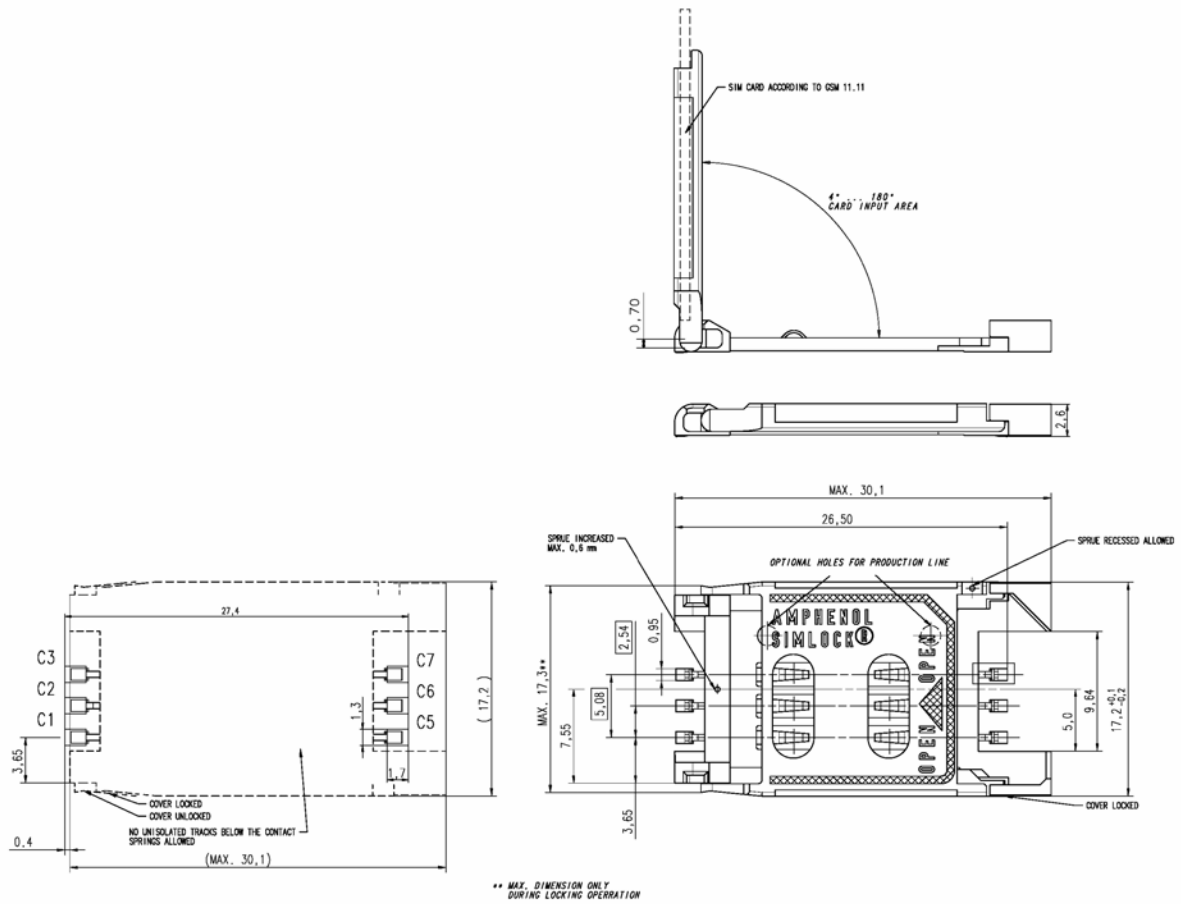


Figure 35: Amphenol C707 10M006 5122 SIM card holder

Table 18: Pin description (Amphenol SIM card holder)

Pin name	Signal	Description
C1	VSIM	SIM card power supply
C2	SIM_RST	SIM card reset
C3	SIM_CLK	SIM card clock
C5	GND	Connect to GND
C6	VPP	Not connect
C7	SIM_DATA	SIM card data I/O

#### 4.10. PCM Interface

SIM800 provides PCM interface.

Table 19: PCM pin definition

Pin name	Pin number	Description
PCM_OUT	6	PCM data output
PCM_IN	12	PCM data input

PCM_SYNC	14	PCM synchrony
PCM_CLK	68	PCM clock

SIM800 PCM interface only supports master mode, data length is 16 bits (linear), and PCM clock rate is 256 KHz.

**Table 20: PCM specification**

Feature	specification
Line Interface Format	Linear(Fixed)
Data length	16bits(Fixed)
PCM Clock/Sync Source	Master Mode(Fixed)
PCM Clock Rate	256Khz(Fixed)
PCM Sync Format	Short sync/Long sync both support
Zero Padding/Sign extension	Default Zero Padding
Data Ordering	MSB/LSB both support

*Note: User can use AT command control PCM interface, for details please refer to document [1].*

#### 4.10.1. PCM Multiplex Function

With GPIO17 and GPIO19, PCM interface can be configured as SPI or SD interface, the following table shows the detailed multiplex function.

**Table 21: PCM Multiplex Function:**

Name	Pin number	Mode 0(default)	Mode 1	Mode 2	Mode 3
PCM_OUT	6	PCM_OUT	GPIO16	MC3DA3	GPIO16
PCM_IN	12	PCM_IN	DISP_DATA	MC3DA2	GPIO18
PCM_SYNC	14	PCM_SYNC	DISP_CS	MC3CK	GPIO20
PCM_CLK	68	PCM_CLK	GPIO12	MC3CM0	GPIO12
GPIO17	11	GPIO17	DISP_CLK	MC3DA1	GPIO17
GPIO19	13	GPIO19	DISP_D/C	MC3DA0	GPIO19

*Note: Multiplex Function need different software version.*

### 4.10.2. PCM Interface

Refer to the following figure for PCM design:

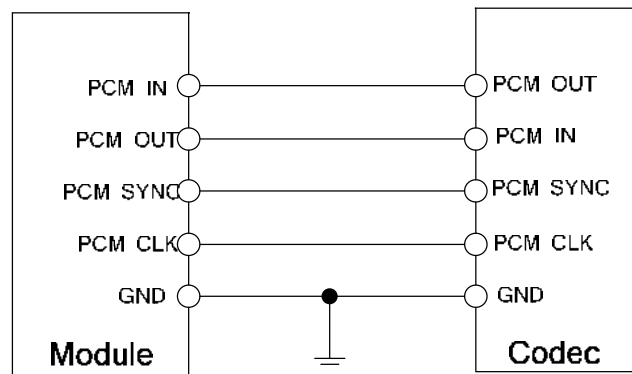


Figure 36: PCM reference circuit

### 4.10.3. LCD Display/SPI Interface

SIM800 provides a serial interface. It could be used as SPI interface in the embedded AT application. For details about embedded AT application, please refer to *document [1]*.

Refer to the following figure for SPI design:

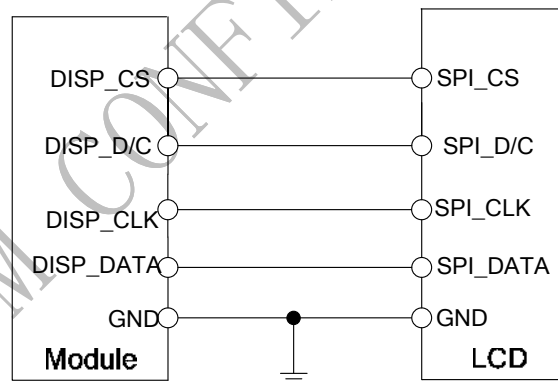


Figure 37: LCD reference circuit

**Note:** This function is not supported in the standard firmware. If user wants this function, the firmware must be customized. Please contact SIMCom for more details.

#### 4.10.4. SD Card Interface

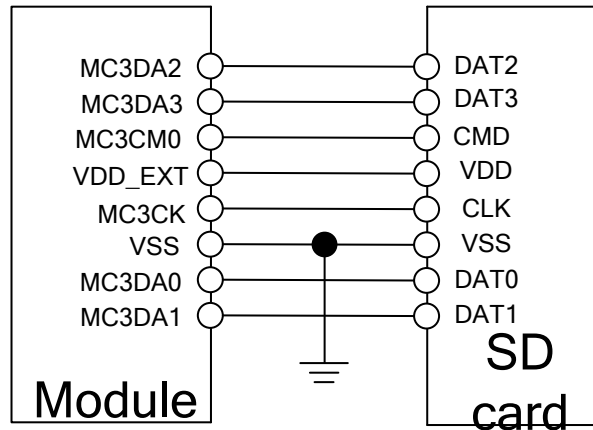


Figure 38: SD reference circuit

If the VDD of SD card is 2.8V, user can use VDD\_EXT power the SD card directly. If the VDD is 3.3V, customer should design the power circuit external.

#### 4.11. Keypad Interface

SIM800 consists of 5 keypad column outputs and 5 keypad row inputs, and it can support two kinds of connections, the traditional 5\*5 keypad matrix and the extended 5\*5\*2 keypad matrix.

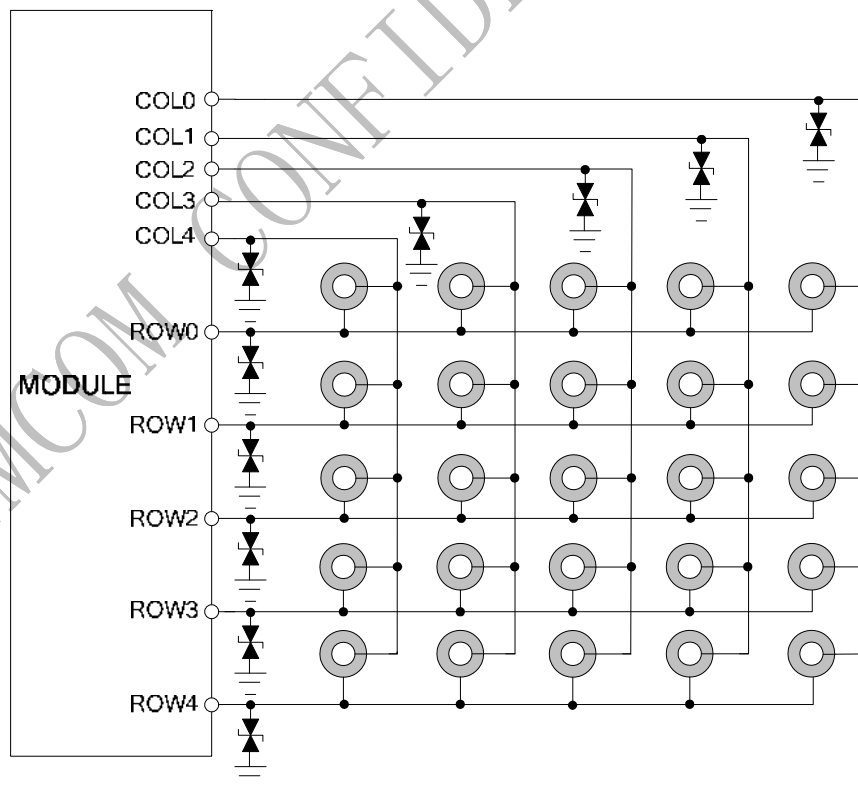
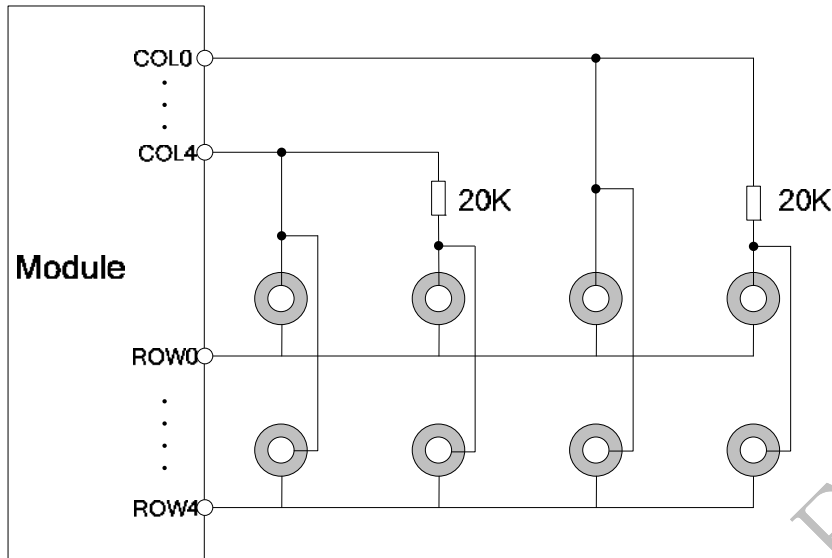


Figure 39: Traditional keypad reference circuit

**Note:** According to the traditional 5\*5 keypad matrix, when there are unused COLs or ROWs, user can execute AT command to define unused COLs and ROWs as GPIO, for details please see the document [1].

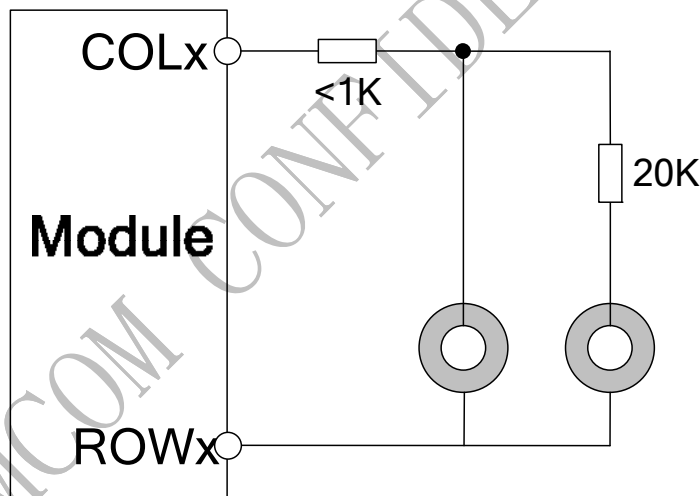
Module supports a new keypad connection, it can support 5\*5\*2 amount 50 keypads, meet full keyboard demand, and the connection diagram is as follow:



**Figure 40: Extended keypad reference circuit**

*Note: Do not change the 20KΩ resistor in the diagram.*

Customer should add a resistor to enhance the ESD performance and the value of resistor should be less than 1KΩ, the connection diagram is shown in figure 41 as an example.



**Figure 41: Enhance the ESD performance of keypad circuit**

Module can detect two buttons pressed synchronously at both the traditional and extended keypad connection, but customer should notice that, do not assign keys which will be pressed at the same time on same COL and ROW when implement the extended keypad design. The following figure is an example to explain this situation, “CTRL” and “A” can not be recognized if the two buttons were pressed at the same time.

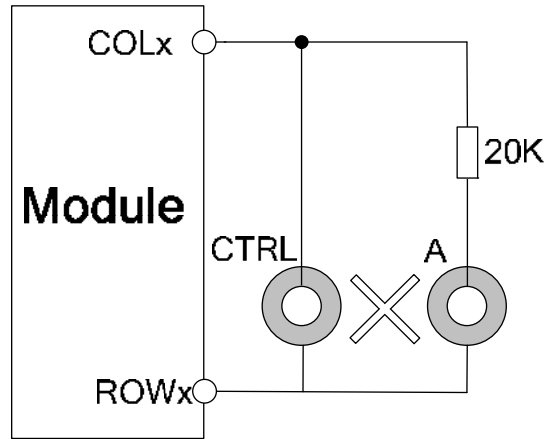


Figure 42: Keypad detected

Table 22: Pin definition of the keypad interface

Name	Pin	Function	Default state
COL0	51	Keypad matrix column	Pull up
COL1	50		Pull down
COL2	49		Pull down
COL3	48		Pull down
COL4	47		Pull down
ROW0	44	Keypad matrix row	Pull down
ROW1	43		Pull down
ROW2	42		Pull down
ROW3	41		Pull down
ROW4	40		Pull down

Table 23: Keypad multiplex function

Pin name	Pin number	Mode 0(default)	Mode 1
COL0	51	COL0	GPIO10
COL1	50	COL1	GPIO9
COL2	49	COL2	GPIO8
COL3	48	COL3	GPIO7
COL4	47	COL4	GPIO6
ROW0	44	ROW0	GPIO5
ROW1	43	ROW1	GPIO4
ROW2	42	ROW2	GPIO3
ROW3	41	ROW3	GPIO2
ROW4	40	ROW4	GPIO1

**Note:** Multiplex Function need different software version.

## 4.12. I2C BUS

The SIM800 provides an I2C interface, it can be driven by either the master or slave and conform to the I2C specification. It has the following features:

- Compliant master mode operation
- Adjustable clock speed for LS/FS mode operation
- Support 7-bit/10-bit addressing
- Support high speed mode
- Support slave clock extension
- START/STOP/REPEATED condition
- Manual transfer mode
- Multi-write per transfer (up to 8 data bytes for non-DMA mode)
- Multi-read per transfer (up to 8 data bytes for non-DMA mode)
- Multi-transfer per transaction
- Combined format transfer with length change capability
- Active drive/write-and I/O configuration

**Table 24: Pin definition of the I2C**

Pin name	Pin number	Description
SCL	37	I2C serial bus clock
SDA	38	I2C serial bus data

*Note: I2C has been pulled up to 2.8V via 4.7KΩ.*

**Table 25: I2C multiplex function**

Pin name	Pin number	Mode 0(default)	Mode 1
SCL	37	SCL	GPIO24
SDA	38	SDA	GPIO25

## 4.13. General Purpose Input/Output (GPIO)

SIM800 provides 2 GPIO pins. The output voltage level of the GPIO can be set by the AT command “AT+SGPIO”. The input voltage level of the GPIO can also be read by the AT command “AT+SGPIO”. For more details, please refer to *document [1]*.

**Table 26: Pin definition of the GPIO**

Pin name	Pin number	Reset state
GPIO17	11	Pull down
GPIO19	13	Pull down

#### 4.14. ADC

**Table 27: Pin definition of the ADC**

Pin name	Pin number	Description
ADC	25	Analog to Digital Converter

SIM800 provides an auxiliary ADC, which can be used to measure the voltage. User can use AT command “AT+CADC” to read the voltage value. For details of this AT command, please refer to *document [1]*.

**Table 28: ADC specification**

Parameter	Min	Typ	Max	Unit
Voltage range	0	-	2.8	V
ADC Resolution	-	10	-	bits
Sampling rate	-	-	1.0833	MHz
ADC precision		10	20	mV

*Note: the voltage should less than 2.8V, or the ADC may be damaged.*

#### 4.15. PWM

**Table 29: Pin definition of the PWM**

Pin name	Pin number	Description
PWM1/GPIO22	35	PWM1, multiplex with GPIO22
PWM2/GPIO23	36	PWM2, multiplex with GPIO23

*Note: SIM800 can only support 1 PWM synchronously, if customer set PIN 35 as PWM, so PIN36 can only be used as GPIO.*

PWM output frequency varies from 0 to 2KHz. Two 7-bit unsigned binary parameters are used for the output period and for the duty cycle. The AT command “AT + SPWM” is used to set the output period and duty cycle of the PWM. For details, please refer to *document [1]*.

A typical circuit of the PWM drives buzzer is shown in the following figure:



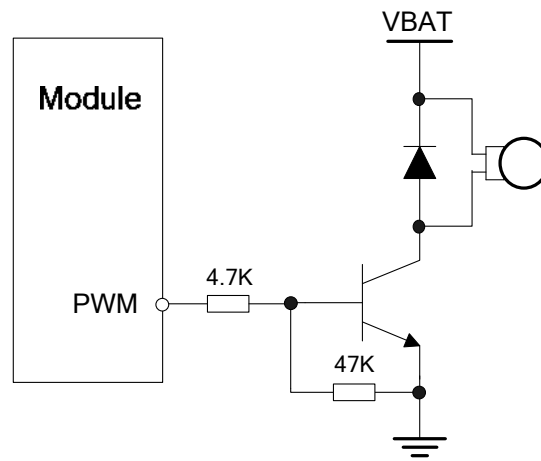


Figure 43: Reference circuit of PWM drive buzzer

Table 30: Buzzer output characteristics

Parameter	Min	Typ	Max	Unit
Working voltage	2.5	2.8	2.9	V
Working current			16	mA

Note: PWM pin must keep low when module in the boot process.

Table 31: PWM multiplex function

Pin name	Pin number	Mode 0(default)	Mode 1
PWM1/GPIO22	35	PWM1	GPIO22
PWM2/GPIO23	36	GPIO23	PWM2

#### 4.16. Network Status Indication

Table 32: Pin definition of the NETLIGHT

Pin name	Pin number	Description
NETLIGHT	52	Network Status Indication

The NETLIGHT pin can be used to drive a network status indication LED. The status of this pin is listed in following table:

Table 33: Status of the NETLIGHT pin

Status	SIM800 behavior
Off	SIM800 is not running
64ms On/ 800ms Off	SIM800 not registered the network
64ms On/ 3000ms Off	SIM800 registered to the network
64ms On/ 300ms Off	GPRS communication is established

Reference circuit is recommended in the following figure:

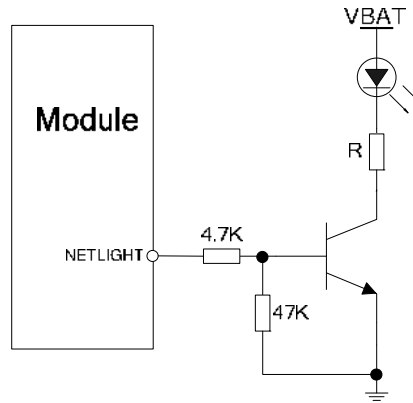


Figure 44: Reference circuit of NETLIGHT

### 4.17. Operating Status Indication

The STATUS pin indicates the operating status of module. The pin output high when module power on, output is low when module powered off.

Table 34: Pin definition of the STATUS

Pin name	Pin number	Description
STATUS	66	Operating status indication

### 4.18. KPLED

SIM800 provides one open-drain LED driver pin.

Table 35: Pin definition of the KPLED

Pin name	Pin number	Description
KPLED	23	Sink current for keypad LED

Reference circuit is recommended in the following figure:

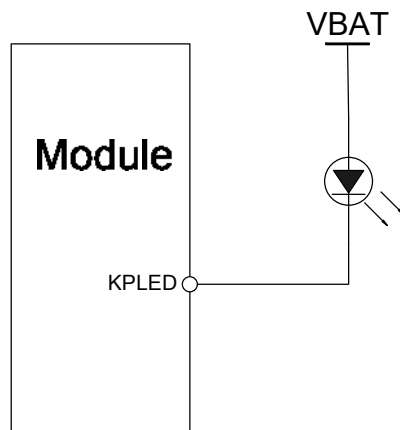


Figure 45: KPLED driver reference circuit

**Table 36: KPLED specification**

Pin name	Min	Typ	Max	Unit
KPLED	60	-	100	mA

#### 4.19. RF Synchronization Signal

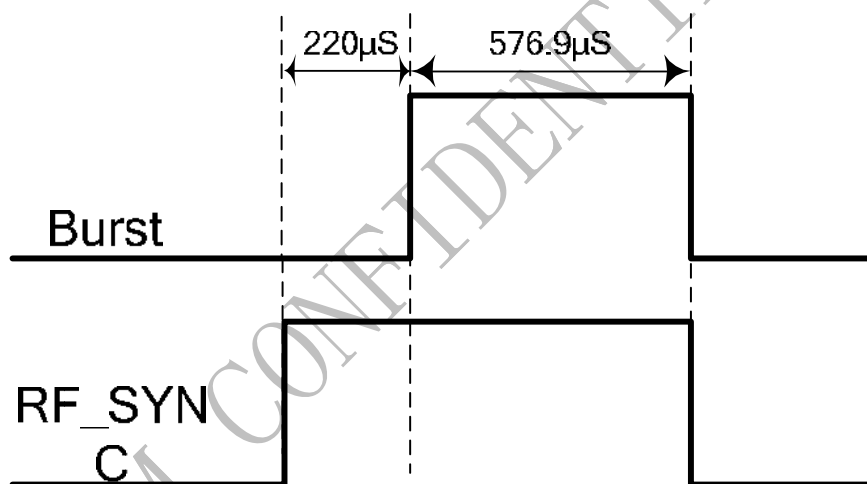
The synchronization signal serves to indicate growing power consumption during the transmit burst.

**Table 37: Definition of the RF\_SYNC pin**

Pin name	Pin number	Description
RF_SYNC	67	Transmit synchronization signal

*Note: Do not pull up RF\_SYNC.*

The timing of the synchronization signal is shown in the following figure. High level of the RF\_SYNC signal indicates increased power consumption during transmission.


**Figure 46: RF\_SYNC signal during transmit burst**

#### 4.20. Antenna Interface

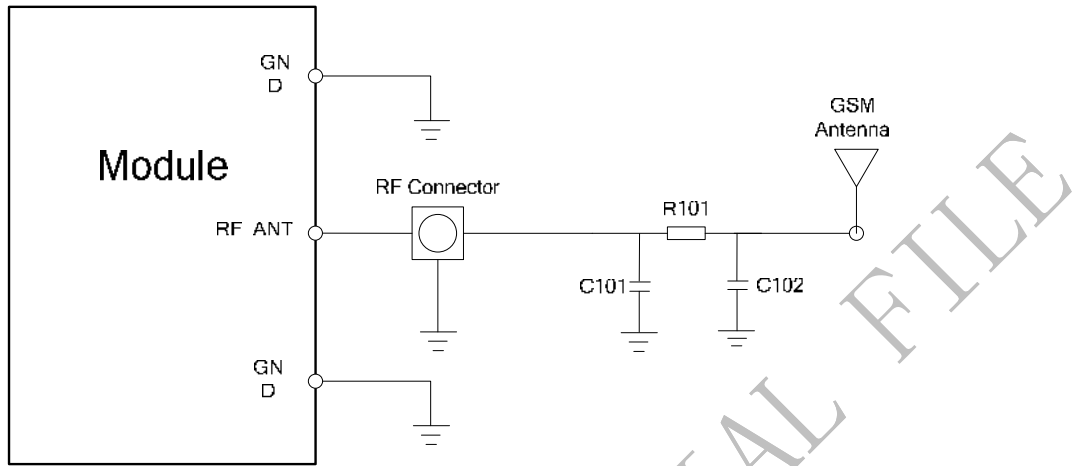
There are two antenna ports for SIM800, GSM antenna port named RF\_ANT and Bluetooth antenna port named ANT\_BT; The RF interfaces of the two antenna ports both have the impedance of 50Ω

- The input impedance of the antenna should be 50Ω, and the VSWR should be less than 2.
- It is recommended that GSM antenna and Bluetooth antenna be placed as far as better.
- The isolations of the two antenna should be more than 30db

**NOTE:** About the RF trace layout please refer to 《AN\_SMT Module\_RF\_Reference Design\_Guide》

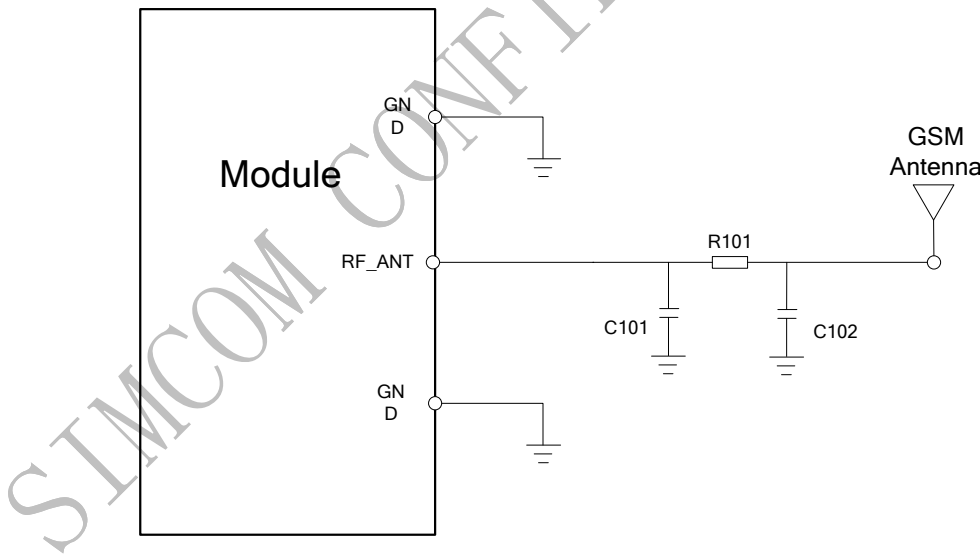
### 4.20.1. GSM Antenna Interface

There is a GSM antenna pad named RF\_ANT to connect an external GSM antenna, the connection of the antenna must be decoupled from DC voltage. This is necessary because the antenna connector is DC coupled to ground via an inductor for ESD protection. The external antenna must be matched properly to achieve the best performance, so the matching circuit is necessary, the connection is recommended as following:



**Figure 47: GSM antenna matching circuit**

R101, C101, C102 are the matching circuit, the values depend on antenna debug result. Normally R101 is 0Ω, C101 and C102 are not mounted. The RF connector is used for conducted test. If the space between RF pin and antenna is not enough, the matching circuit could be simplified as the following figure:



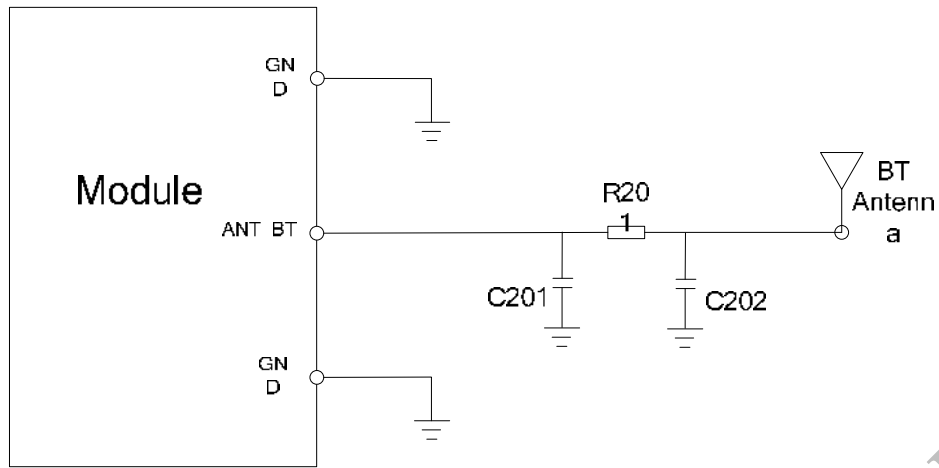
**Figure 48: GSM simple antenna matching circuit**

Normally R101 is 0Ω; C101 and C102 are not mounted.

### 4.20.2. Bluetooth Antenna Interface

The module provides a Bluetooth antenna interface named ANT\_BT.

The external antenna must be matched properly to achieve best performance, so the matching circuit is necessary, the connection is recommended as the following figure:



**Figure 49: Bluetooth antenna matching circuit**

R201, C201, C202 are the matching circuit, the values depend on antenna debug result. Normally R201 is 0Ω, C201 and C202 are not mounted.

SIMCOM CONFIDENTIAL FILE

## 5. PCB Layout

Usually, most electronic products with good performance are based on good PCB layout. Poor PCB layout will lead to lots of issues, like TDD noise, SIM card undetected, etc. The final solution for these problems is to redo PCB layout. Making good PCB layout will save developing schedule and cost as well.

This section will give some guidelines on PCB layout, in order to eliminate interfere or noise by greatest degree, and save product development period.

### 5.1 PIN Assignment

Before the placement of the PCB design, customer should learn well about PIN assignment in order to get reasonable layout with so many external components. Please refer to figure 2 for the details.

### 5.2 Principle of PCB Layout

During layout, we should pay attention to the following interfaces, like Antenna, power supply, SIM card interface, audio interface, and so on.

#### 5.2.1 Antenna

There are some suggestions for components placing and RF routing of GSM and Bluetooth RF traces:

- The RF connector is used for conducted test, so keep it as close to the RF\_ANT pin as possible;
- Antenna matching circuit should be closed to the antenna;
- Keep the RF traces as 50Ω;
- The RF traces should be kept far away from the high frequency signals and strong disturbing source.
- If using a RF cable, kept it far away from SIM card, power ICs;
- It is recommended that GSM antenna and Bluetooth antenna be placed as far as better.

#### 5.2.2. Power Supply

Not only VBAT but also power ground is very important in layout. The positive line of VBAT should be as shorter and wider as possible. The correct flow from source to VBAT pin should go though Zener diode then huge capacitor. PIN 62, 63, 64, 65 are GND signals, and should be designed shortest layout to GND of power source.

#### 5.2.3 SIM Card Interface

SIM card holder will take much more space on board, and there has no anti-EMI component inside, so, SIM card interface always be interfered. So, pay attention to this interface during layout. Ensure SIM card holder far way from antenna or RF cable inside. And it's better to put SIM card holder near module, And it's better to add ESD component to protect clock, data, reset and VSIM signals which should be far away from power and high-speed signal.

#### 5.2.4 Audio Interface

In order to avoid TDD noise, or current noise, or some other noise, the signal trace of audio should far away from antenna and power, and it is recommended to surround audio traces by ground. And do not rout audio trace and VBAT trace parallel.

#### 5.2.5 Others

It's better to trace signal lines of UART bunched, as well as signals of USB and LCM.

SIMCOM CONFIDENTIAL FILE

## 6. Electrical, Reliability and Radio Characteristics

### 6.1 Absolute Maximum Ratings

The absolute maximum ratings stated in following table are stress ratings under non-operating conditions. Stresses beyond any of these limits will cause permanent damage to SIM800.

**Table 38: Absolute maximum ratings**

Symbol	Min	Typ	Max	Unit
VBAT	-	-	4.5	V
Peak Current	0	-	2.0	A
VBUS	-	-	30	V
I <sub>I</sub> *	-	-	8	mA
I <sub>O</sub> *	-	-	8	mA

These parameters are for digital interface pins, such as keypad, GPIO, I2C, UART, LCD and PCM.

### 6.2 Recommended Operating Conditions

**Table 39: Recommended operating conditions**

Symbol	Parameter	Min	Typ	Max	Unit
VBAT	Power supply voltage	3.4	4.0	4.4	V
T <sub>OPER</sub>	Operating temperature	-40	+25	+85	°C
T <sub>STG</sub>	Storage temperature	-45		+90	°C

### 6.3 Digital Interface Characteristics

**Table 40: Digital interface characteristics**

Symbol	Parameter	Min	Typ	Max	Unit
V <sub>IH</sub>	High-level input current	2.1	-	3.1	V
V <sub>IL</sub>	Low-level input current	-0.3	-	0.7	V
V <sub>OH</sub>	High-level output voltage	2.4	-	-	V
V <sub>OL</sub>	Low-level output voltage	-	-	0.4	V

\* These parameters are for digital interface pins, such as keypad, GPIO, I2C, UART, LCD and PCM.



## 6.4 SIM Card Interface Characteristics

**Table 41: SIM card interface characteristic**

Symbol	Parameter	Min	Typ	Max	Unit
I <sub>IH</sub>	High-level input current	-1	-	1	uA
I <sub>IL</sub>	Low-level input current	-1	-	1	uA
V <sub>IH</sub>	High-level input voltage	1.4	-	-	V
		2.4	-	-	V
V <sub>IL</sub>	Low-level input voltage	-	-	0.27	V
		-	-	0.4	V
V <sub>OH</sub>	High-level output voltage	1.62	-	-	V
		2.7	-	-	V
V <sub>OL</sub>	Low-level output voltage	-	-	0.36	V
		-	-	0.4	V

## 6.5 SIM\_VDD Characteristics

**Table 42: SIM\_VDD characteristics**

Symbol	Parameter	Min	Typ	Max	Unit
V <sub>O</sub>	Output voltage	-	3	-	V
		-	1.80	-	
I <sub>O</sub>	Output current	-	-	10	mA

## 6.6 VDD\_EXT Characteristics

**Table 43: VDD\_EXT Characteristics**

Symbol	Parameter	Min	Typ	Max	Unit
V <sub>O</sub>	Output voltage	2.70	2.80	2.90	V
I <sub>O</sub>	Output current	-	-	50	mA

## 6.7 VRTC Characteristics

**Table 44: VRTC Characteristics**

Symbol	Description	Min	Typ	Max	Unit
V <sub>RTC-IN</sub>	VRTC input voltage	-	2.8	-	V
I <sub>RTC-IN</sub>	VRTC input current	-	3	-	uA
V <sub>RTC-OUT</sub>	VRTC output voltage	-	2.8	-	V
I <sub>RTC-OUT</sub>	VRTC output current	-	-	2	mA

## 6.8 Current Consumption (VBAT=4V)

**Table 45: Current consumption**

Symbol	Parameter	Conditions	Min	Typ	Max	Unit	
VBAT	Voltage		3.4	4.0	4.4	V	
	Power drop	PCL=5			350	mV	
	Voltage ripple	PCL=5 @ f<200kHz @ f>200kHz			50 2	mV mV	
I <sub>VBAT</sub>	Average current	Power down mode		50	60	uA	
		Sleep mode (AT+CFUN=1): ( BS-PA-MFRMS=9 ) ( BS-PA-MFRMS=5 ) ( BS-PA-MFRMS=2 )		1.171		mA	
				1.307		mA	
				2.046		mA	
		Idle mode (AT+CFUN=1): EGSM900		22.1		mA	
			Voice call (PCL=5): GSM850 EGSM900 DCS1800 PCS1900		204.79		mA
					203.86		mA
					133.05		
				137.89			
		Data mode GPRS (1Rx,4Tx): GSM850 EGSM900 DCS1800 PCS1900		450.94		mA	
	457.34			mA			
	281.77						
	288.37						
Data mode GPRS (3Rx,2Tx): GSM850 EGSM900 DCS1800 PCS1900		386.09		mA			
		345.02		mA			
		216.79					
		239.12					
Data mode GPRS (4Rx,1Tx): GSM850 EGSM900 DCS1800 PCS1900		217.82		mA			
		217.93		mA			
		156.41					
		159.82					
I <sub>MAX</sub>	Peak current	During TX burst		2.0		A	

\* In above table the current consumption value is the typical one of the module tested in laboratory. In the mass production stage, there may be differences among each individual.

## 6.9 Electro-Static Discharge

SIM800 is an ESD sensitive component, so more attention should be paid to the procedure of handling and packaging. The ESD test results are shown in the following table.

**Table 46: The ESD characteristics (Temperature: 25°C, Humidity: 45 %)**

Pin	Contact discharge	Air discharge
VBAT	±5KV	±10KV
GND	±5KV	±10KV
RXD, TXD	±4KV	±8KV
Antenna port	±5KV	±10KV
SPK_P/SPK_N/MIC_P/MIC_N	±4KV	±8KV
PWRKEY	±4KV	±8KV

## 6.10 Radio Characteristics

The following table shows the module conducted output power, it is followed by the 3GPP TS 05.05 technical specification requirement.

**Table 47: GSM 900 and GSM 850 conducted RF output power**

GSM850,EGSM900			
PCL	Nominal output power (dBm)	Tolerance (dB) for conditions	
		Normal	Extreme
5	33	±2	±2.5
6	31	±3	±4
7	29	±3	±4
8	27	±3	±4
9	25	±3	±4
10	23	±3	±4
11	21	±3	±4
12	19	±3	±4
13	17	±3	±4
14	15	±3	±4
15	13	±3	±4
16	11	±5	±6
17	9	±5	±6
18	7	±5	±6
19-31	5	±5	±6

**Table 48: DCS 1800 and PCS 1900 conducted RF output power**

DCS1800,PCS1900			
PCL	Nominal output power (dBm)	Tolerance (dB) for conditions	
		Normal	Extreme
0	30	±2	±2.5
1	28	±3	±4
2	26	±3	±4
3	24	±3	±4
4	22	±3	±4
5	20	±3	±4
6	18	±3	±4
7	16	±3	±4
8	14	±3	±4
9	12	±4	±5
10	10	±4	±5
11	8	±4	±5
12	6	±4	±5
13	4	±4	±5
14	2	±5	±6
15	0	±5	±6

### 6.11 Module RF Receive Sensitivity

The following table shows the SIM800 conducted receive sensitivity; it is tested under static condition.

**Table 49: Conducted RF receive sensitivity**

Frequency	Receive sensitivity(Typical)	Receive sensitivity(Max)
GSM850,EGSM900	< -108dBm	< -106dBm
DCS1800,PCS1900	< -108dBm	< -106dBm

### 6.12 Module Operating Frequencies

The following table shows the module's operating frequency range; it is followed by the 3GPP TS 05.05 technical specification requirement.

**Table 50: Operating frequencies**

Frequency	Receive	Transmit	Channel
GSM850	869 ~ 894MHz	824 ~ 849MHz	128 ~ 251
EGSM900	925 ~ 960MHz	880 ~ 915MHz	0 ~ 124 , 975 ~ 1023
DCS1800	1805 ~ 1880MHz	1710 ~ 1785MHz	512 ~ 885
PCS1900	1930 ~ 1990MHz	1850 ~ 1910MHz	512 ~ 810

## 7. Manufacturing

### 7.1. Top and Bottom View of SIM800



Figure 50: Top and Bottom View of SIM800

### 7.2. Typical Solder Reflow Profile

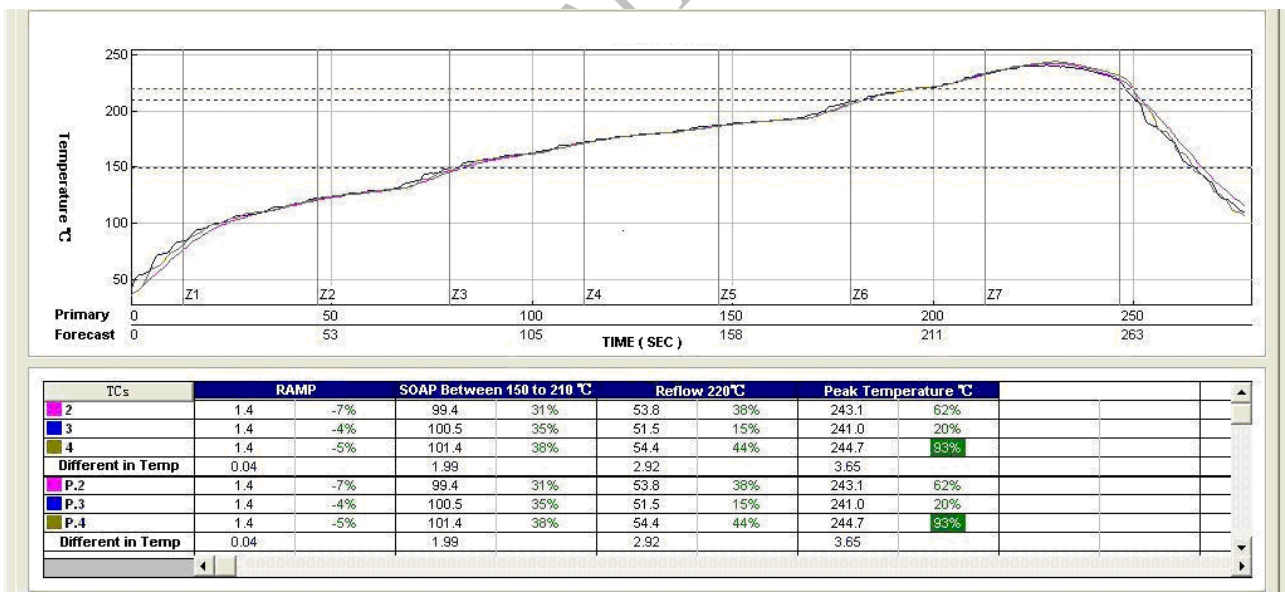


Figure 51: Typical Solder Reflow Profile

*Note: Please refer to 《Module secondary-SMT-UGD》 for more information about the module shipping and manufacturing.*

### 7.3. The Moisture Sensitivity Level

The moisture sensitivity level of SIM800 is 3. The module should be mounted within 168 hours after unpacking in the environmental conditions of temperature  $<30^{\circ}\text{C}$  and relative humidity of  $<60\%$  (RH). It is necessary to bake the module if the above conditions are not met:

**Table 51: Moisture classification level and floor life**

Level	Floor Life (out of bag) at factory ambient $\leq 30^{\circ}\text{C} / 60\%$ RH or as stated
1	Unlimited at $\leq 30^{\circ}\text{C} / 85\%$ RH
2	1 year
2a	4 weeks
3	168 hours
4	72 hours
5	48 hours
5a	24 hours
6	Mandatory bake before use. After bake, it must be reflowed within the time limit specified on the label.

**NOTES:**

- If the vacuum package is not open for 6 months or longer than the packing date, baking is also recommended before re-flow soldering.*
- For product handling, storage, processing, IPC / JEDEC J-STD-033 must be followed.*

### 7.4. Baking Requirements

Because of its sensitivity to moisture absorption, SIM800 should be baked sufficiently before re-flow soldering. Otherwise SIM800 will be at the risk of permanent damage during re-flow soldering. SIM800 should be baked 192 hours at temperature  $40^{\circ}\text{C} \pm 5^{\circ}\text{C} / -0^{\circ}\text{C}$  and  $<5\%$  RH for low-temperature device containers, or 72 hours at temperature  $80^{\circ}\text{C} \pm 5^{\circ}\text{C}$  for high-temperature device containers. Care should be taken that the plastic tray is not heat resistant, SIM800 modules should be taken out for baking, and otherwise the tray may be damaged by high-temperature during baking.

**Table 52: Baking requirements**

Baking temperature	Moisture	Time
$40^{\circ}\text{C} \pm 5^{\circ}\text{C}$	$<5\%$	192 hours
$120^{\circ}\text{C} \pm 5^{\circ}\text{C}$	$<5\%$	4 hours

## 8. Appendix

### I. Related Documents

**Table 53: Related Documents**

SN	Document name	Remark
[1]	SIM800 Series_AT Command Manual_V1.00.doc	
[2]	ITU-T Draft new recommendation V.25ter:	Serial asynchronous automatic dialing and control
[3]	GSM 07.07:	Digital cellular telecommunications (Phase 2+); AT command set for GSM Mobile Equipment (ME)
[4]	GSM 07.10:	Support GSM 07.10 multiplexing protocol
[5]	GSM 07.05:	Digital cellular telecommunications (Phase 2+); Use of Data Terminal Equipment – Data Circuit terminating Equipment (DTE – DCE) interface for Short Message Service (SMS) and Cell Broadcast Service (CBS)
[6]	GSM 11.14:	Digital cellular telecommunications system (Phase 2+); Specification of the SIM Application Toolkit for the Subscriber Identity Module – Mobile Equipment (SIM – ME) interface
[7]	GSM 11.11:	Digital cellular telecommunications system (Phase 2+); Specification of the Subscriber Identity Module – Mobile Equipment (SIM – ME) interface
[8]	GSM 03.38:	Digital cellular telecommunications system (Phase 2+); Alphabets and language-specific information
[9]	GSM 11.10	Digital cellular telecommunications system (Phase 2); Mobile Station (MS) conformance specification; Part 1: Conformance specification
[10]	AN_Serial Port	AN_Serial Port
[11]	AN_SIM900_TCPIP	TCP/IP Applications User Manual

## II. Multiplex Function

**Table 54: Multiplex Function**

Pin name	Pin number	Mode 0(default)	Mode 1	Mode 2	Mode 3
UART_DTR	3	UART_DTR	GPIO13	EINT2	-
UART_RI	4	UART_RI	GPIO14	-	-
UART_DCD	5	UART_DCD	GPIO15	-	
PCM_OUT	6	PCM_OUT	GPIO16	MC3DA3	GPIO16
GPIO17	11	GPIO17	DISP_CLK	MC3DA1	GPIO17
PCM_IN	12	PCM_IN	DISP_DATA	MC3DA2	GPIO18
GPIO19	13	GPIO19	DISP_D/C	MC3DA0	GPIO19
PCM_SYNC	14	PCM_SYNC	DISP_CS	MC3CK	GPIO20
SIM_PRE	34	SIM_PRE	GPIO21	EINT7	-
PWM1	35	PWM1	GPIO22	EINT0	-
PWM2	36	GPIO23	PWM2	EINT8	-
SDA	37	SDA	GPIO24	-	
SCL	38	SCL	GPIO25	-	
ROW4	40	ROW4	GPIO1	EINT3	
ROW3	41	ROW3	GPIO2	-	
ROW2	42	ROW2	GPIO3	-	
ROW1	43	ROW1	GPIO4	-	
ROW0	44	ROW0	GPIO5	-	
COL4	47	COL4	GPIO6	EINT1	
COL3	48	COL3	GPIO7	-	
COL2	49	COL2	GPIO8	-	
COL1	50	COL1	GPIO9	-	
COL0	51	COL0	GPIO10	-	
RF_SYNC	67	RF_SYNC	GPIO11	-	
PCM_CLK	68	PCM_CLK	GPIO12	MC3CM0	GPIO12



### III. Terms and Abbreviations

**Table 55: Terms and Abbreviations**







Abbreviation	Description
ADC	Analog-to-Digital Converter
AMR	Adaptive Multi-Rate
BT	Bluetooth
CS	Coding Scheme
CSD	Circuit Switched Data
CTS	Clear to Send
DTE	Data Terminal Equipment (typically computer, terminal, printer)
DTR	Data Terminal Ready
DTX	Discontinuous Transmission
EFR	Enhanced Full Rate
EGSM	Enhanced GSM
ESD	Electrostatic Discharge
ETS	European Telecommunication Standard
FR	Full Rate
GPRS	General Packet Radio Service
GSM	Global Standard for Mobile Communications
HR	Half Rate
IMEI	International Mobile Equipment Identity
Li-ion	Lithium-Ion
MO	Mobile Originated
MS	Mobile Station (GSM engine), also referred to as TE
MT	Mobile Terminated
PAP	Password Authentication Protocol
PBCCH	Packet Broadcast Control Channel
PCB	Printed Circuit Board
PCL	Power Control Level
PCS	Personal Communication System, also referred to as GSM 1900
PDU	Protocol Data Unit
PPP	Point-to-point protocol
RF	Radio Frequency
RMS	Root Mean Square (value)
RTC	Real Time Clock
RX	Receive Direction
SIM	Subscriber Identification Module
SMS	Short Message Service
TDD	Time Division Distortion

TE	Terminal Equipment, also referred to as DTE
TX	Transmit Direction
UART	Universal Asynchronous Receiver & Transmitter
URC	Unsolicited Result Code
USSD	Unstructured Supplementary Service Data
VSWR	Voltage Standing Wave Ratio
<b>Phonebook abbreviations</b>	
FD	SIM fix dialing phonebook
LD	SIM last dialing phonebook (list of numbers most recently dialed)
MC	Mobile Equipment list of unanswered MT calls (missed calls)
ON	SIM (or ME) own numbers (MSISDNs) list
RC	Mobile Equipment list of received calls
SM	SIM phonebook
NC	Not connect

SIMCOM CONFIDENTIAL

## IV. Safety Caution

**Table 56: Safety caution**

Marks	Requirements
	When in a hospital or other health care facility, observe the restrictions about the use of mobiles. Switch the cellular terminal or mobile off, medical equipment may be sensitive to not operate normally for RF energy interference.
	Switch off the cellular terminal or mobile before boarding an aircraft. Make sure it is switched off. The operation of wireless appliances in an aircraft is forbidden to prevent interference with communication systems. Forget to think much of these instructions may lead to the flight safety or offend against local legal action, or both.
	Do not operate the cellular terminal or mobile in the presence of flammable gases or fumes. Switch off the cellular terminal when you are near petrol stations, fuel depots, chemical plants or where blasting operations are in progress. Operation of any electrical equipment in potentially explosive atmospheres can constitute a safety hazard.
	Your cellular terminal or mobile receives and transmits radio frequency energy while switched on. RF interference can occur if it is used close to TV sets, radios, computers or other electric equipment.
	Road safety comes first! Do not use a hand-held cellular terminal or mobile when driving a vehicle, unless it is securely mounted in a holder for hands free operation. Before making a call with a hand-held terminal or mobile, park the vehicle.
	<p>GSM cellular terminals or mobiles operate over radio frequency signals and cellular networks and cannot be guaranteed to connect in all conditions, for example no mobile fee or a invalid SIM card. While you are in this condition and need emergent help, please remember using emergency calls. In order to make or receive calls, the cellular terminal or mobile must be switched on and in a service area with adequate cellular signal strength.</p> <p>Some networks do not allow for emergency call if certain network services or phone features are in use (e.g. lock functions, fixed dialing etc.). You may have to deactivate those features before you can make an emergency call.</p> <p>Also, some networks require that a valid SIM card be properly inserted in the cellular terminal or mobile.</p>

SIMC

**Contact us:**

**Shanghai SIMCom Wireless Solutions Ltd.**

Add: SIM Technology Building, No.633, Jinzhong Road, Changning District, Shanghai P.R. China  
200335

Tel: +86 21 3235 3300

Fax: +86 21 3235 3301

URL: [www.sim.com/wm](http://www.sim.com/wm)

SIMCOM CONFIDENTIAL FILE