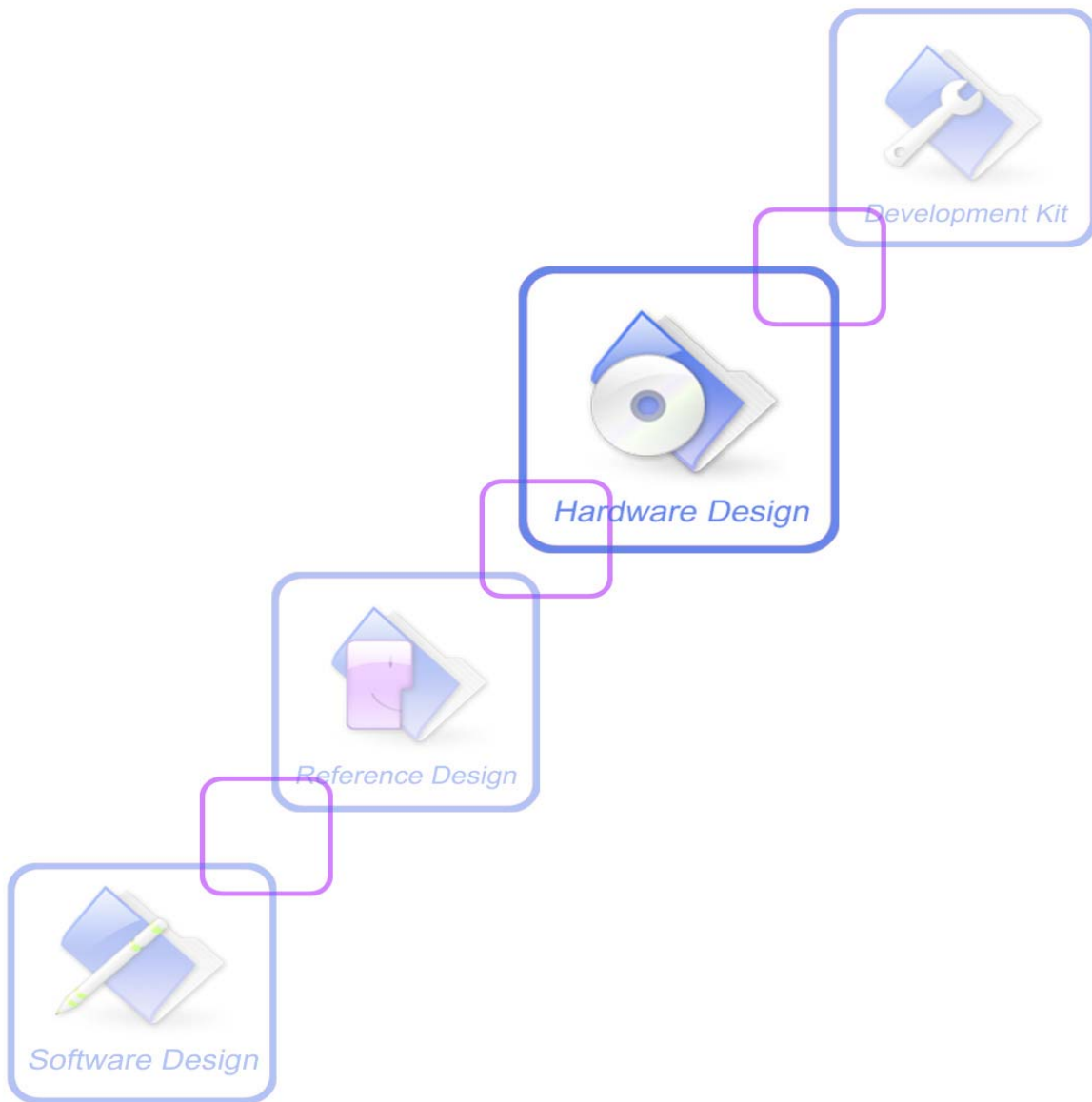




A company of SIM Tech

# SIM900\_Hardware Design\_V2.05



<b>Document Title</b>	SIM900 Hardware Design
<b>Version</b>	2.05
<b>Date</b>	2013-08-11
<b>Status</b>	Release
<b>Document Control ID</b>	SIM900_Hardware Design_V2.05

### General Notes

SIMCom offers this information as a service to its customers, to support application and engineering efforts that use the products designed by SIMCom. The information provided is based upon requirements specifically provided to SIMCom by the customers. SIMCom has not undertaken any independent search for additional relevant information, including any information that may be in the customer's possession. Furthermore, system validation of this product designed by SIMCom within a larger electronic system remains the responsibility of the customer or the customer's system integrator. All specifications supplied herein are subject to change.

### Copyright

This document contains proprietary technical information which is the property of SIMCom Limited, copying of this document and giving it to others and the using or communication of the contents thereof, are forbidden without express authority. Offenders are liable to the payment of damages. All rights reserved in the event of grant of a patent or the registration of a utility model or design. All specification supplied herein are subject to change without notice at any time.

*Copyright © Shanghai SIMCom Wireless Solutions Ltd. 2013*

# Contents

<b>Contents</b> .....	<b>3</b>
<b>Version History</b> .....	<b>7</b>
<b>1 Introduction</b> .....	<b>9</b>
<b>2 SIM900 Overview</b> .....	<b>9</b>
2.1 SIM900 Key Features.....	9
2.2 Operating Modes.....	11
2.3 SIM900 Functional Diagram.....	12
<b>3 Package Information</b> .....	<b>13</b>
3.1 Pin out Diagram.....	13
3.2 Pin Description.....	14
3.3 Package Dimensions.....	16
<b>4 Application Interface</b> .....	<b>18</b>
4.1 Power Supply.....	18
4.1.1 Minimizing Voltage Drop of VBAT.....	19
4.1.2 Monitoring Power Supply.....	19
4.2 Power on/down Scenarios.....	19
4.2.1 Power on SIM900.....	19
4.2.2 Power down SIM900.....	20
4.2.3 Restart SIM900 by PWRKEY Pin.....	22
4.3 Power Saving Mode.....	22
4.3.1 Minimum Functionality Mode.....	22
4.3.2 Sleep Mode 1 (AT+CSCLK=1).....	23
4.3.3 Wake Up SIM900 from Sleep Mode 1 (AT+CSCLK=1).....	23
4.3.4 Sleep Mode 2 (AT+CSCLK=2).....	23
4.3.5 Wake Up SIM900 from Sleep Mode 2 (AT+CSCLK=2).....	24
4.4 RTC Backup.....	24
4.5 Serial Interfaces.....	25
4.5.1 Function of Serial Port and Debug Port.....	26
4.5.2 Software Upgrade and Debug.....	27
4.6 Audio Interfaces.....	27
4.6.1 Speaker Interface Configuration.....	27
4.6.2 Microphone Interfaces Configuration.....	28
4.6.3 Earphone Interface Configuration.....	29
4.6.4 Audio Electronic Characteristics.....	29
4.7 SIM Card Interface.....	30
4.7.1 SIM Card Application.....	30
4.7.2 Design Considerations for SIM Card Holder.....	31
4.8 LCD Display/SPI Interface.....	32
4.9 Keypad Interface.....	33
4.10 ADC.....	33
4.11 RI Behaviors.....	34
4.12 Network Status Indication.....	35

4.13	General Purpose Input/Output (GPIO) .....	36
4.14	External Reset.....	36
4.15	PWM .....	37
4.16	I <sup>2</sup> C Bus.....	37
4.17	Antenna Interface .....	37
<b>5</b>	<b>Electrical, Reliability and Radio Characteristics.....</b>	<b>39</b>
5.1	Absolute Maximum Ratings .....	39
5.2	Recommended Operating Conditions.....	39
5.3	Digital Interface Characteristics .....	39
5.4	SIM Card Interface Characteristics .....	40
5.5	VDD_EXT Characteristics .....	40
5.6	SIM_VDD Characteristics.....	40
5.7	VRTC Characteristics .....	41
5.8	Current Consumption (VBAT = 3.8V) .....	41
5.9	Electro-Static Discharge .....	42
5.10	Radio Characteristics.....	42
5.10.1	Module RF Output Power.....	42
5.10.2	Module RF Receive Sensitivity .....	44
5.10.3	Module Operating Frequencies.....	44
<b>6</b>	<b>Manufacturing .....</b>	<b>45</b>
6.1	Top and Bottom View of SIM900.....	45
6.2	Typical Solder Reflow Profile.....	46
6.3	The Moisture Sensitivity Level .....	46
6.4	Baking Requirements .....	47
<b>Appendix</b>	<b>.....</b>	<b>48</b>
A.	Related Documents.....	48
B.	Terms and Abbreviations .....	49
C.	Safety Caution .....	50

SIMCOM CONFIDENTIAL FILE

## Table Index

TABLE 1: SIM900 KEY FEATURES .....	9
TABLE 2: CODING SCHEMES AND MAXIMUM NET DATA RATES OVER AIR INTERFACE .....	11
TABLE 3: OVERVIEW OF OPERATING MODES.....	11
TABLE 4: PIN DESCRIPTION .....	14
TABLE 5: THE CURRENT CONSUMPTION OF MINIMUM FUNCTIONALITY MODE .....	23
TABLE 6: MICROPHONE INPUT CHARACTERISTICS .....	29
TABLE 7: AUDIO OUTPUT CHARACTERISTICS .....	29
TABLE 8: PIN DESCRIPTION (AMPHENOL SIM CARD HOLDER).....	31
TABLE 9: PIN DESCRIPTION (MOLEX SIM CARD HOLDER) .....	32
TABLE 10: PIN DEFINITION OF THE KEYPAD INTERFACE.....	33
TABLE 11: ADC SPECIFICATION.....	34
TABLE 12: RI BEHAVIORS .....	34
TABLE 13: STATUS OF THE NETLIGHT PIN.....	35
TABLE 14: PIN DEFINITION OF THE GPIO INTERFACE .....	36
TABLE 15: ABSOLUTE MAXIMUM RATINGS.....	39
TABLE 16: RECOMMENDED OPERATING CONDITIONS .....	39
TABLE 17: DIGITAL INTERFACE CHARACTERISTICS .....	39
TABLE 18: SIM CARD INTERFACE CHARACTERISTICS.....	40
TABLE 19: VDD_EXT CHARACTERISTICS .....	40
TABLE 20: SIM_VDD CHARACTERISTICS.....	40
TABLE 21: VRTC CHARACTERISTICS.....	41
TABLE 22: CURRENT CONSUMPTION* .....	41
TABLE 23: THE ESD CHARACTERISTICS (TEMPERATURE: 25°C, HUMIDITY: 45 %).....	42
TABLE 24: SIM900 GSM 900 AND GSM 850 CONDUCTED RF OUTPUT POWER .....	42
TABLE 25: SIM900 DCS 1800 AND PCS 1900 CONDUCTED RF OUTPUT POWER.....	43
TABLE 26: SIM900 CONDUCTED RF RECEIVE SENSITIVITY .....	44
TABLE 27: SIM900 OPERATING FREQUENCIES.....	44
TABLE 28: ILLUSTRATION OF MODULE INFORMATION.....	46
TABLE 29: MOISTURE CLASSIFICATION LEVEL AND FLOOR LIFE .....	46
TABLE 30: BAKING REQUIREMENTS .....	47
TABLE 29: RELATED DOCUMENTS .....	48
TABLE 30: TERMS AND ABBREVIATIONS.....	49
TABLE 31: SAFETY CAUTION.....	50

## Figure Index

FIGURE 1: SIM900 FUNCTIONAL DIAGRAM .....	12
FIGURE 2: SIM900 PIN OUT DIAGRAM (TOP VIEW) .....	13
FIGURE 3: DIMENSIONS OF SIM900 (UNIT: MM) .....	16
FIGURE 4: RECOMMENDED PCB FOOTPRINT OUTLINE (UNIT: MM) .....	17
FIGURE 5: REFERENCE CIRCUIT OF THE LDO POWER SUPPLY .....	18
FIGURE 6: REFERENCE CIRCUIT OF THE DC-DC POWER SUPPLY .....	18
FIGURE 7: VBAT VOLTAGE DROP DURING TRANSMIT BURST .....	19
FIGURE 8: THE MINIMAL VBAT VOLTAGE REQUIREMENT AT VBAT DROP .....	19
FIGURE 9: POWERED ON/DOWN MODULE USING TRANSISTOR .....	19
FIGURE 10: POWERED ON/DOWN MODULE USING BUTTON .....	20
FIGURE 11: TIMING OF POWER ON MODULE .....	20
FIGURE 12: TIMING OF POWER DOWN SIM900 BY PWRKEY .....	21
FIGURE 13: TIMING OF RESTART SIM900 .....	22
FIGURE 14: RTC SUPPLY FROM CAPACITOR .....	24
FIGURE 15: RTC SUPPLY FROM NON-CHARGEABLE BATTERY .....	24
FIGURE 16: RTC SUPPLY FROM RECHARGEABLE BATTERY .....	24
FIGURE 17: SEIKO XH414H-IV01E CHARGE-DISCHARGE CHARACTERISTIC .....	25
FIGURE 18: CONNECTION OF THE SERIAL INTERFACES .....	25
FIGURE 19: CONNECTION OF RXD AND TXD ONLY .....	26
FIGURE 20: CONNECTION FOR SOFTWARE UPGRADING AND DEBUGGING .....	27
FIGURE 21: SPEAKER REFERENCE CIRCUIT .....	27
FIGURE 22: SPEAKER WITH AMPLIFIER REFERENCE CIRCUIT .....	28
FIGURE 23 : MICROPHONE REFERENCE CIRCUIT .....	28
FIGURE 24: EARPHONE REFERENCE CIRCUIT .....	29
FIGURE 25: REFERENCE CIRCUIT OF THE 8-PIN SIM CARD HOLDER .....	30
FIGURE 26: REFERENCE CIRCUIT OF THE 6-PIN SIM CARD HOLDER .....	30
FIGURE 27: AMPHENOL C707 10M006 5122 SIM CARD HOLDER .....	31
FIGURE 28: MOLEX 91228 SIM CARD HOLDER .....	32
FIGURE 29: REFERENCE CIRCUIT OF THE KEYPAD INTERFACE .....	33
FIGURE 30: RI BEHAVIOUR OF VOICE CALLING AS A RECEIVER .....	34
FIGURE 31: RI BEHAVIOUR OF DATA CALLING AS A RECEIVER .....	35
FIGURE 32: RI BEHAVIOUR OF URC OR RECEIVE SMS .....	35
FIGURE 33: RI BEHAVIOUR AS A CALLER .....	35
FIGURE 34: REFERENCE CIRCUIT OF NETLIGHT .....	36
FIGURE 35: RESET TIMING .....	36
FIGURE 36: RESET REFERENCE DESIGN CIRCUIT .....	37
FIGURE 37: ANTENNA MATCHING CIRCUIT .....	37
FIGURE 38: TOP, BOTTOM AND SIDE VIEW OF SIM900 .....	45
FIGURE 39: MODULE INFORMATION .....	45
FIGURE 40: TYPICAL SOLDER REFLOW PROFILE .....	46

## Version History

Date	Version	Description of change	Author
2009-12-26	1.01	Origin	LiGang
2010-02-04	1.02	Modify the voltage range of ADC input. Modify the figure of bottom mechanical dimensions of module. Modify the figure of recommended PCB decal and the note.	LiGang
2010-04-07	1.03	§2, § 2.1 Changed the lowest current consumption in sleep mode from 1.5mA to 1.0mA. §3.1 Add the description of the RXD pin, this pin should be pulled up to VDD_EXT. §3.4.2.1 Change the pull down time of the figure 12. Change the impulse time of the figure 13. §3.8.1 Update the description of autobauding. The default setting is autobauding mode. §3.9.4 Add audio parameters in table 10 and table 11. §3.10.1 Change the value of the capacitance from 220nF to 100nF in figure 27 and figure 28. §3.13 Delete the pull up resistor of figure 32.	LiGang
2010-05-07	1.04	§2.1, § 3.4.2.3 Modify the power supply range from 3.4V~4.5V to 3.2V~4.8V.	LiGang
2010-06-23	1.05	§3.7, Modify the VRTC pin connection when backup is not needed. §3.4, Revise Figure 8 & Figure 11 §5.3 Revise the Supply Voltage Range	ZhouQiang
2010-07-16	1.06	Modify the power supply range to 3.2V~4.8V. §3.4 Modified figure 7, figure8, figure15. §3.4 Add table 7. §3.5 Add 3.5.4 and 3.5.5 description. Delete chapter 3.6. §3.11 Modified the keypad from 5x5 to 4x5. ADD figure 32, figure 33, figure 34, figure 38. §6.2 Modified figure 42	LiGang
2010-10-26	1.07	§6.1 Modified Figure 2: Recommended PCB decal.	LiGang
2010.12.15	2.00	Arrange the structure of document.	LiGang
2012.2.23	2.01	Modify chapter6 Manufacturing.	ZhouJing
2012-5-7	2.02	Add illustration of SIM900 module information. Add some notes in chapter 5.	Ma Honggang
2012-8-13	2.03	PIN 23,24 NC	Ma Honggang
2013-01-21	2.04	Update figure 3 and figure 38	Ma Honggang

SIMCOM CONFIDENTIAL FILE



# 1 Introduction

This document describes SIM900 hardware interface in great detail.

This document can help user to quickly understand SIM900 interface specifications, electrical and mechanical details. With the help of this document and other SIM900 application notes, user guide, users can use SIM900 to design various applications quickly.

## 2 SIM900 Overview

Designed for global market, SIM900 is a quad-band GSM/GPRS module that works on frequencies GSM 850MHz, EGSM 900MHz, DCS 1800MHz and PCS 1900MHz. SIM900 features GPRS multi-slot class 10/ class 8 (optional) and supports the GPRS coding schemes CS-1, CS-2, CS-3 and CS-4.

With a tiny configuration of 24\*24\*3mm, SIM900 can meet almost all the space requirements in user applications, such as M2M, smart phone, PDA and other mobile devices.

SIM900 has 68 SMT pads, and provides all hardware interfaces between the module and customers' boards.

- Serial port and debug port can help user easily develop user's applications.
- Audio channel which includes a microphone input and a receiver output.
- Programmable general purpose input and output.
- The keypad and SPI display interfaces will give users the flexibility to develop customized applications.

SIM900 is designed with power saving technique so that the current consumption is as low as 1.0mA in sleep mode.

SIM900 integrates TCP/IP protocol and extended TCP/IP AT commands which are very useful for data transfer applications. For details about TCP/IP applications, please refer to *document [2]*.

### 2.1 SIM900 Key Features

**Table 1: SIM900 key features**

Feature	Implementation
Power supply	3.2V ~ 4.8V
Power saving	Typical power consumption in sleep mode is 1.0mA ( BS-PA-MFRMS=9 )
Frequency bands	<ul style="list-style-type: none"> <li>● SIM900 Quad-band: GSM 850, EGSM 900, DCS 1800, PCS 1900. SIM900 can search the 4 frequency bands automatically. The frequency bands also can be set by AT command "AT+CBAND". For details, please refer to <i>document [1]</i>.</li> <li>● Compliant to GSM Phase 2/2+</li> </ul>
Transmitting power	<ul style="list-style-type: none"> <li>● Class 4 (2W) at GSM 850 and EGSM 900</li> <li>● Class 1 (1W) at DCS 1800 and PCS 1900</li> </ul>
GPRS connectivity	<ul style="list-style-type: none"> <li>● GPRS multi-slot class 10 ( default )</li> </ul>

	<ul style="list-style-type: none"> <li>● GPRS multi-slot class 8 (option)</li> </ul>
Temperature range	<ul style="list-style-type: none"> <li>● Normal operation: -30°C ~ +80°C</li> <li>● Restricted operation: -40°C ~ -30°C and +80 °C ~ +85°C*</li> <li>● Storage temperature -45°C ~ +90°C</li> </ul>
Data GPRS	<ul style="list-style-type: none"> <li>● GPRS data downlink transfer: max. 85.6 kbps</li> <li>● GPRS data uplink transfer: max. 42.8 kbps</li> <li>● Coding scheme: CS-1, CS-2, CS-3 and CS-4</li> <li>● Integrate the TCP/IP protocol.</li> <li>● Support Packet Broadcast Control Channel (PBCCH)</li> </ul>
CSD	<ul style="list-style-type: none"> <li>● Support CSD transmission</li> </ul>
USSD	<ul style="list-style-type: none"> <li>● Unstructured Supplementary Services Data (USSD) support</li> </ul>
SMS	<ul style="list-style-type: none"> <li>● MT, MO, CB, Text and PDU mode</li> <li>● SMS storage: SIM card</li> </ul>
FAX	Group 3 Class 1
SIM interface	Support SIM card: 1.8V, 3V
External antenna	Antenna pad
Audio features	<p>Speech codec modes:</p> <ul style="list-style-type: none"> <li>● Half Rate (ETS 06.20)</li> <li>● Full Rate (ETS 06.10)</li> <li>● Enhanced Full Rate (ETS 06.50 / 06.60 / 06.80)</li> <li>● Adaptive multi rate (AMR)</li> <li>● Echo Cancellation</li> <li>● Noise Suppression</li> </ul>
Serial port and debug port	<p><b>Serial port:</b></p> <ul style="list-style-type: none"> <li>● Full modem interface with status and control lines, unbalanced, asynchronous.</li> <li>● 1200bps to 115200bps.</li> <li>● Can be used for AT commands or data stream.</li> <li>● Support RTS/CTS hardware handshake and software ON/OFF flow control.</li> <li>● Multiplex ability according to GSM 07.10 Multiplexer Protocol.</li> <li>● Autobauding supports baud rate from 1200 bps to 57600bps.</li> </ul> <p><b>Debug port:</b></p> <ul style="list-style-type: none"> <li>● Null modem interface DBG_TXD and DBG_RXD.</li> <li>● Can be used for debugging and upgrading firmware.</li> </ul>
Phonebook management	Support phonebook types: SM, FD, LD, RC, ON, MC.
SIM application toolkit	GSM 11.14 Release 99
Real time clock	Support RTC
Physical characteristics	<p>Size: 24*24*3mm</p> <p>Weight: 3.4g</p>
Firmware upgrade	Firmware upgradeable by debug port.

\* SIM900 does work at this temperature, but some radio frequency characteristics may deviate from the GSM specification.

**Table 2: Coding schemes and maximum net data rates over air interface**

Coding scheme	1 timeslot	2 timeslot	4 timeslot
CS-1	9.05kbps	18.1kbps	36.2kbps
CS-2	13.4kbps	26.8kbps	53.6kbps
CS-3	15.6kbps	31.2kbps	62.4kbps
CS-4	21.4kbps	42.8kbps	85.6kbps

## 2.2 Operating Modes

The table below summarizes the various operating modes of SIM900.

**Table 3: Overview of operating modes**

Mode	Function
Normal operation	GSM/GPRS SLEEP Module will automatically go into sleep mode if the conditions of sleep mode are enabling and there is no on air and no hardware interrupt (such as GPIO interrupt or data on serial port). In this case, the current consumption of module will reduce to the minimal level. In sleep mode, the module can still receive paging message and SMS.
	GSM IDLE Software is active. Module registered to the GSM network, and the module is ready to communicate.
	GSM TALK Connection between two subscribers is in progress. In this case, the power consumption depends on network settings such as DTX off/on, FR/EFR/HR, hopping sequences, antenna.
	GPRS STANDBY Module is ready for GPRS data transfer, but no data is currently sent or received. In this case, power consumption depends on network settings and GPRS configuration.
	GPRS DATA There is GPRS data transfer (PPP or TCP or UDP) in progress. In this case, power consumption is related with network settings (e.g. power control level); uplink/downlink data rates and GPRS configuration (e.g. used multi-slot settings).
Power down	Normal power down by sending the AT command “AT+CPOWD=1” or using the PWRKEY. The power management unit shuts down the power supply for the baseband part of the module, and only the power supply for the RTC is remained. Software is not active. The serial port is not accessible. Power supply (connected to VBAT) remains applied.
Minimum functionality mode	AT command “AT+CFUN” can be used to set the module to a minimum functionality mode without removing the power supply. In this mode, the RF part of the module will not work or the SIM card will not be accessible, or both RF part and SIM card will be closed, and the serial port is still accessible. The power consumption in this mode is lower than normal mode.

### 2.3 SIM900 Functional Diagram

The following figure shows a functional diagram of SIM900:

- The GSM baseband engine
- Flash
- The GSM radio frequency part
- The antenna interface
- The other interfaces

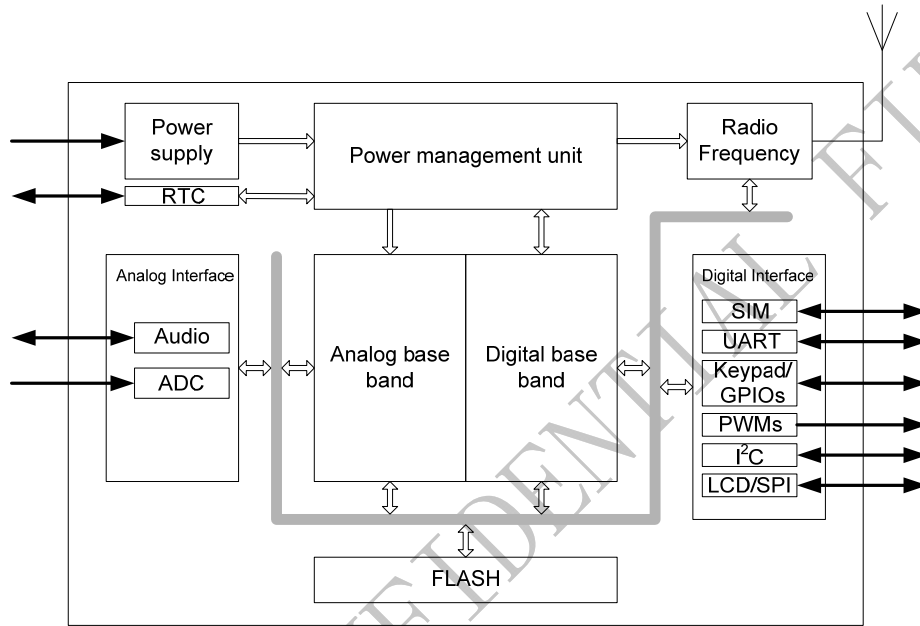


Figure 1: SIM900 functional diagram

### 3 Package Information

#### 3.1 Pin out Diagram

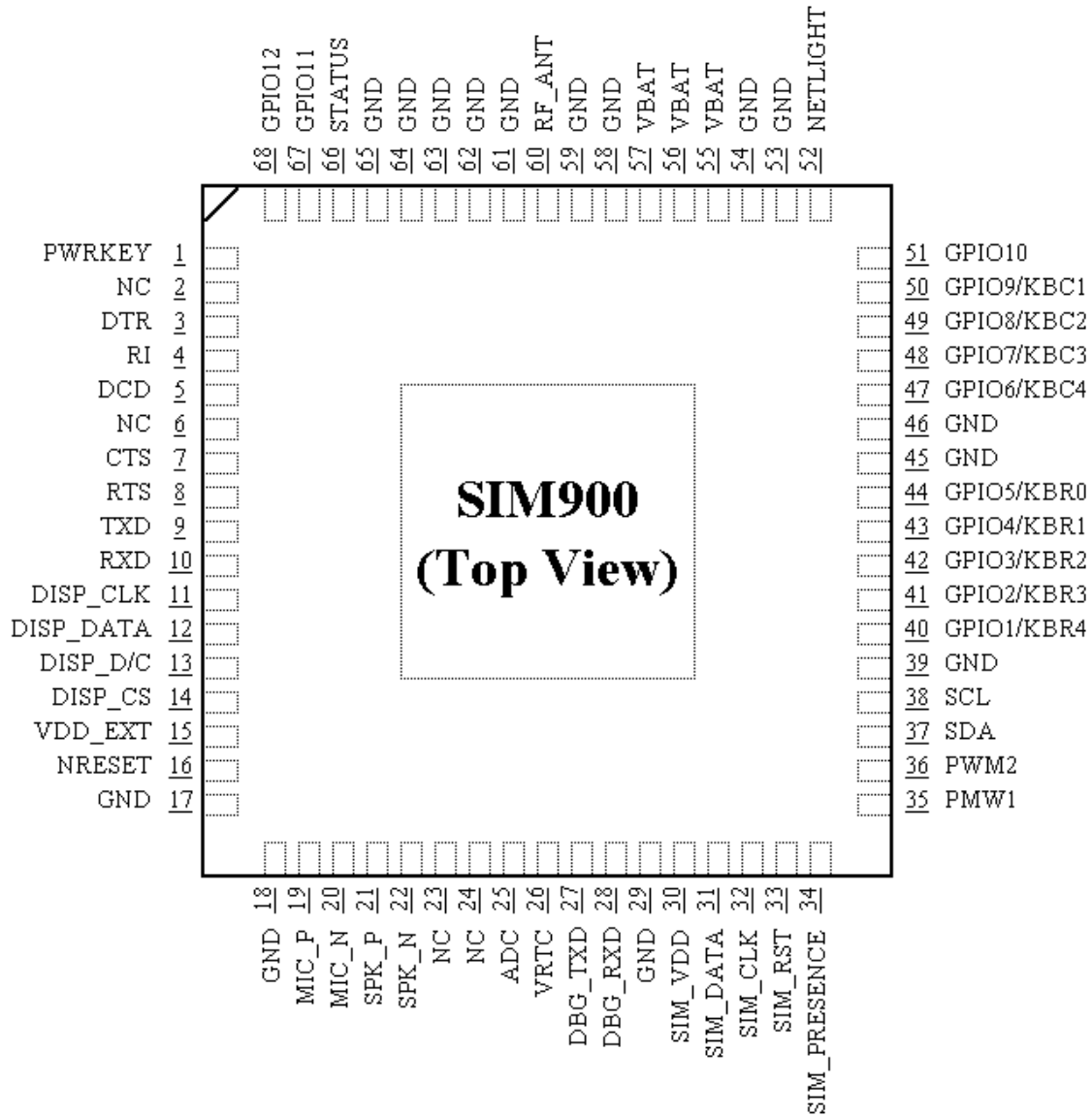


Figure 2: SIM900 pin out diagram (Top view)

## 3.2 Pin Description

**Table 4: Pin description**

Pin name	Pin number	I/O	Description	Comment
<b>Power supply</b>				
VBAT	55,56,57	I	Power supply	
VRTC	26	I/O	Power supply for RTC	It is recommended to connect with a battery or a capacitor (e.g. 4.7uF).
VDD_EXT	15	O	2.8V output power supply	If it is unused, keep open.
GND	17,18,29,39, 45,46,53,54, 58,59,61,62, 63,64,65		Ground	
<b>Power on/down</b>				
PWRKEY	1	I	PWRKEY should be pulled low at least 1 second and then released to power on/down the module.	Pulled up internally.
<b>Audio interfaces</b>				
MIC_P	19	I	Differential audio input	If these pins are unused, keep open.
MIC_N	20			
SPK_P	21	O	Differential audio output	
SPK_N	22			
<b>Status</b>				
STATUS	66	O	Power on status	If these pins are unused, keep open.
NETLIGHT	52	O	Network status	
<b>LCD interface</b>				
DISP_CLK	11	O	Display interface	If these pins are unused, keep open.
DISP_DATA	12	I/O		
DISP_D/C	13	O		
DISP_CS	14	O		
<b>I<sup>2</sup>C interface</b>				
SDA	37	O	I <sup>2</sup> C serial bus data	If these pins are unused, keep open.
SCL	38	I/O	I <sup>2</sup> C serial bus clock	
<b>Keypad interface / GPIOs</b>				
GPIO5/KBR0	44	I/O	GPIO5/keypad row 0	If these pins are unused, keep open.
GPIO4/KBR1	43		GPIO4/keypad row 1	
GPIO3/KBR2	42		GPIO3/keypad row 2	
GPIO2/KBR3	41		GPIO2/keypad row 3	
GPIO1/KBR4	40		GPIO1/keypad row 4	
GPIO9/KBC1	50		GPIO9/keypad column 1	

GPIO8/KBC2	49		GPIO8/keypad column 2	
GPIO7/KBC3	48		GPIO7/keypad column 3	
GPIO6/KBC4	47		GPIO6/keypad column 4	
GPIO10	51		GPIO10	
GPIO11	67		GPIO11	
GPIO12	68		GPIO12	
<b>Serial port</b>				
RXD	10	I	Receive data	This pin should be pulled up to VDD_EXT externally.
TXD	9	O	Transmit data	If these pins are unused, keep open.
RTS	8	I	Request to send	
CTS	7	O	Clear to send	
DCD	5	O	Data carrier detect	
RI	4	O	Ring indicator	
DTR	3	I	Data terminal ready	
<b>Debug interface</b>				
DBG_TXD	27	O	For debugging and upgrading firmware	If these pins are unused, keep open.
DBG_RXD	28	I		
<b>SIM interface</b>				
SIM_VDD	30	O	Voltage supply for SIM card. Support 1.8V or 3V SIM card	All signals of SIM interface should be protected against ESD with a TVS diode array.
SIM_DATA	31	I/O	SIM data input/output	
SIM_CLK	32	O	SIM clock	
SIM_RST	33	O	SIM reset	
SIM_PRESENCE	34	I	SIM card detection	If it is unused, keep open.
<b>ADC</b>				
ADC	25	I	Input voltage range: 0V ~ 2.8V	If it is unused, keep open.
<b>External reset</b>				
NRESET	16	I	Reset input(Active low)	Recommend connecting a 100nF capacitor.
<b>Pulse width modulation( PWM )</b>				
PWM1	35	O	PWM	If these pins are unused, keep open.
PWM2	36	O	PWM	
<b>RF interface</b>				
RF_ANT	60	I/O	Radio antenna connection	Impedence must be controlled to 50Ω.
<b>Not connect</b>				
NC	2,6,23,24	-		These pins should be kept open.

### 3.3 Package Dimensions

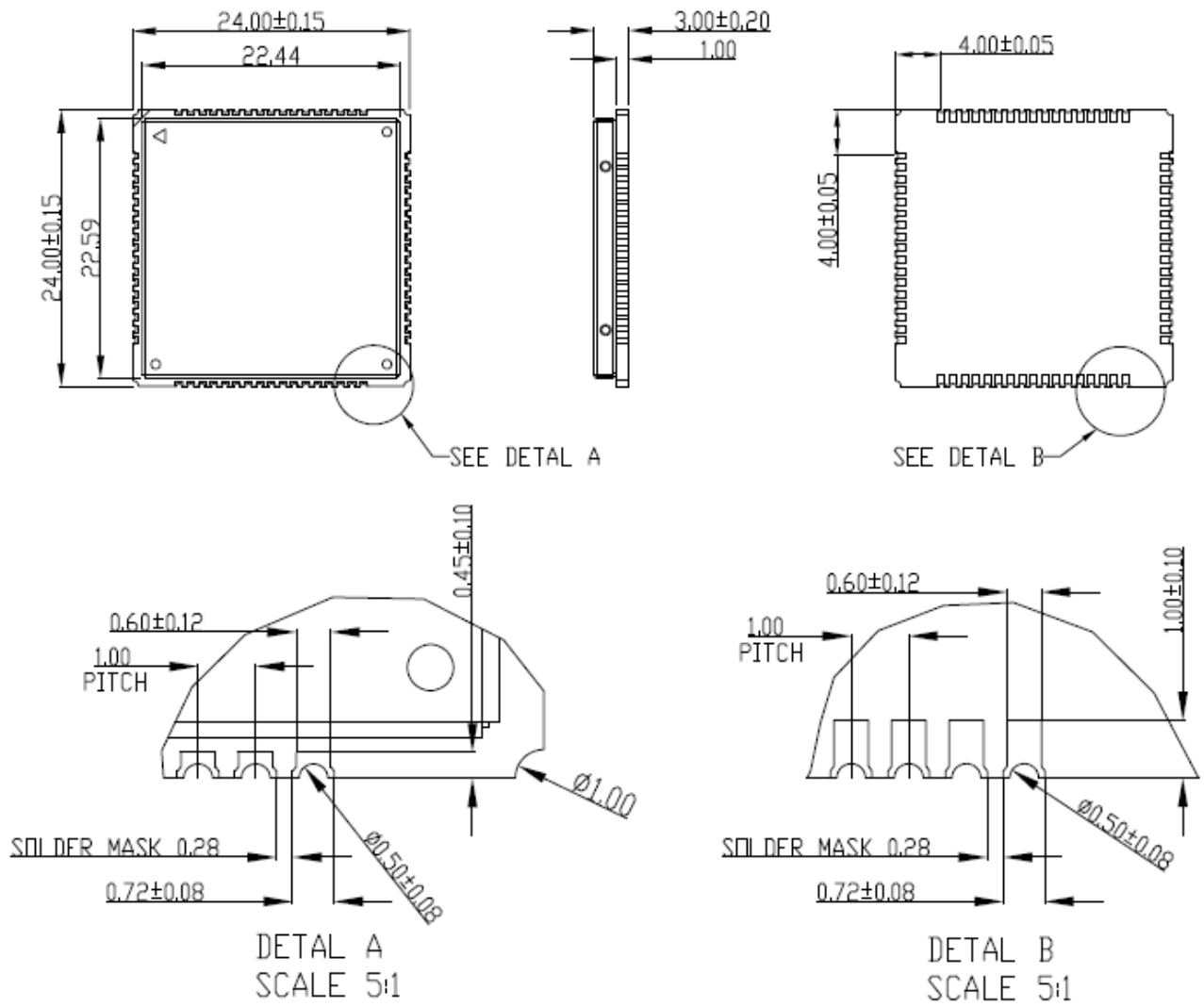


Figure 3: Dimensions of SIM900 (Unit: mm)



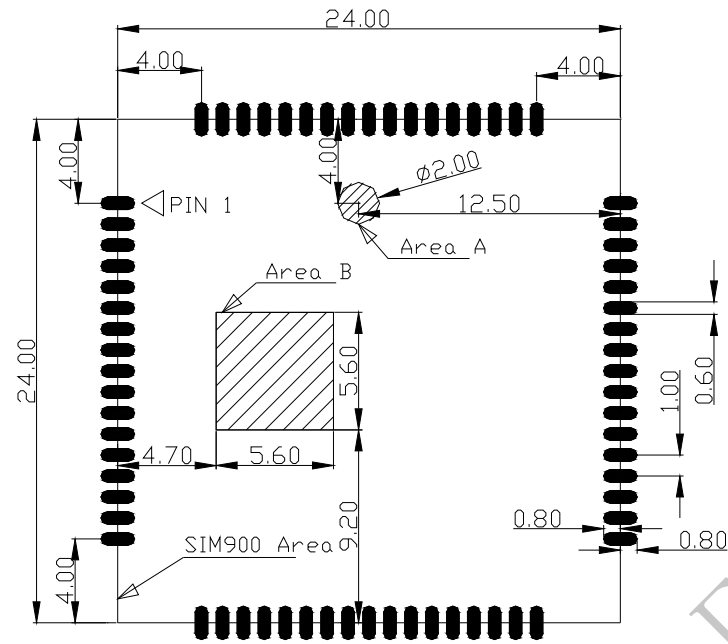


Figure 4: Recommended PCB footprint outline (Unit: mm)

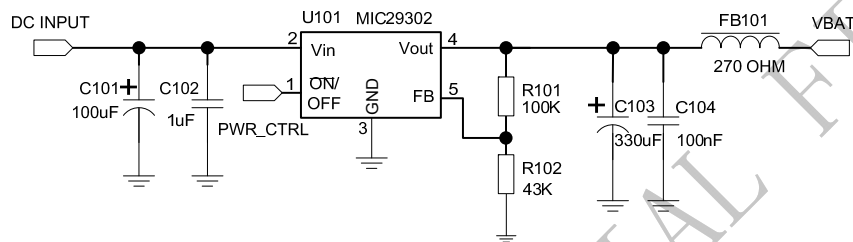
*Note: Keep copper out of area A. Do not place via in area B to avoid short circuit between the via on customer board and the test points on the bottom side of the module.*

SIMCOM CONFIDENTIAL FILE

## 4 Application Interface

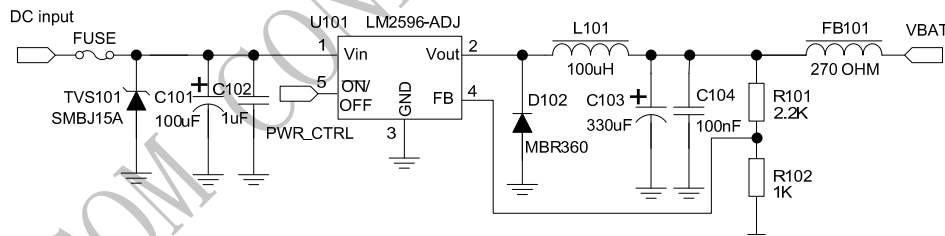
### 4.1 Power Supply

The power supply range of SIM900 is from 3.2V to 4.8V. The transmitting burst will cause voltage drop and the power supply must be able to provide sufficient current up to 2A. For the VBAT input, a bypass capacitor (low ESR) such as a 100  $\mu\text{F}$  is strongly recommended; this capacitor should be placed as close as possible to SIM900 VBAT pins. The following figure is the reference design of +5V input power supply. The designed output for the power supply is 4.1V, thus a linear regulator can be used.



**Figure 5: Reference circuit of the LDO power supply**

If there is a high drop-out between the input and the desired output (VBAT), a DC-DC power supply will be preferable because of its better efficiency especially with the 2A peak current in burst mode of the module. The following figure is the reference circuit.



**Figure 6: Reference circuit of the DC-DC power supply**

The single 3.6V Li-ion cell battery can be connected to SIM900 VBAT pins directly. But the Ni-Cd or Ni-MH battery must be used carefully, since their maximum voltage can rise over the absolute maximum voltage of the module and damage it.

When battery is used, the total impedance between battery and VBAT pins should be less than 150m $\Omega$ . The following figure shows the VBAT voltage drop at the maximum power transmit phase, and the test condition is as following:

$$\text{VBAT}=4.0\text{V},$$

$$\text{A VBAT bypass capacitor } C_A=100\mu\text{F tantalum capacitor (ESR}=0.7\Omega),$$

$$\text{Another VBAT bypass capacitor } C_B=1\mu\text{F}.$$

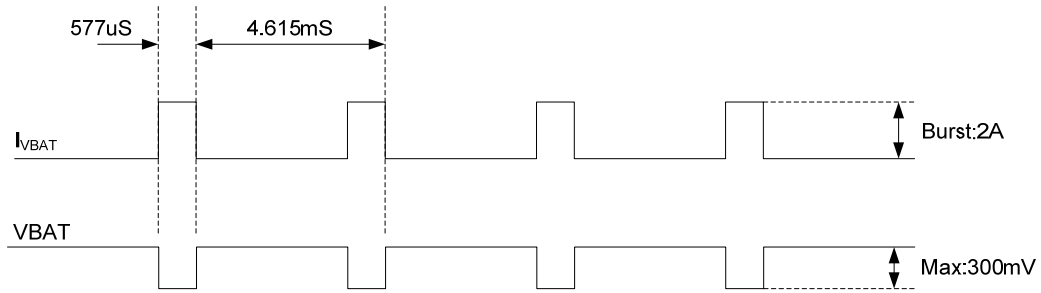


Figure 7: VBAT voltage drop during transmit burst

#### 4.1.1 Minimizing Voltage Drop of VBAT

When designing the power supply in user’s application, pay special attention to power losses. Ensure that the input voltage never drops below 3.1V even when current consumption rises to 2A in the transmit burst. If the power voltage drops below 3.1V, the module may be shut down automatically. The PCB traces from the VBAT pins to the power supply must be wide enough (at least 60mil) to decrease voltage drops in the transmit burst. The power IC and the bypass capacitor should be placed to the module as close as possible.

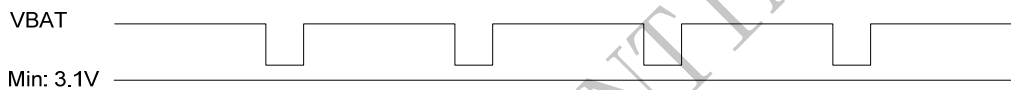


Figure 8: The minimal VBAT voltage requirement at VBAT drop

#### 4.1.2 Monitoring Power Supply

The AT command “AT+CBC” can be used to monitor the VBAT voltage. For detail, please refer to *document [1]*.

### 4.2 Power on/down Scenarios

#### 4.2.1 Power on SIM900

User can power on SIM900 by pulling down the PWRKEY pin for at least 1 second and release. This pin is already pulled up to 3V in the module internal, so external pull up is not necessary. Reference circuit is shown as below.

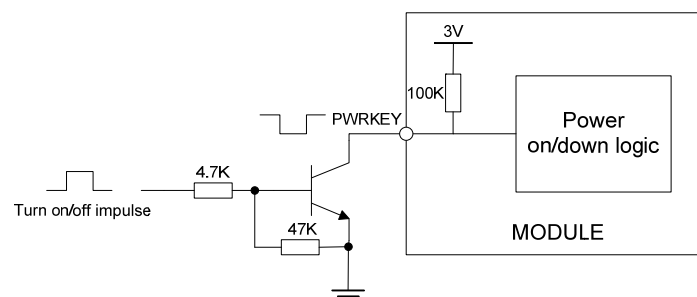
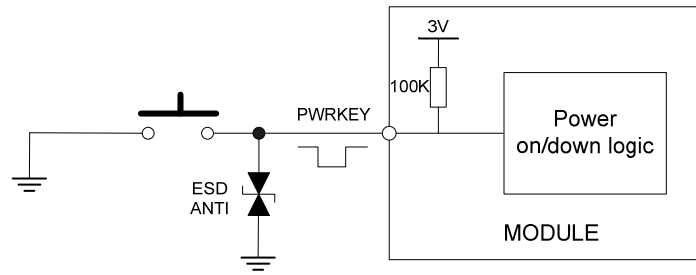
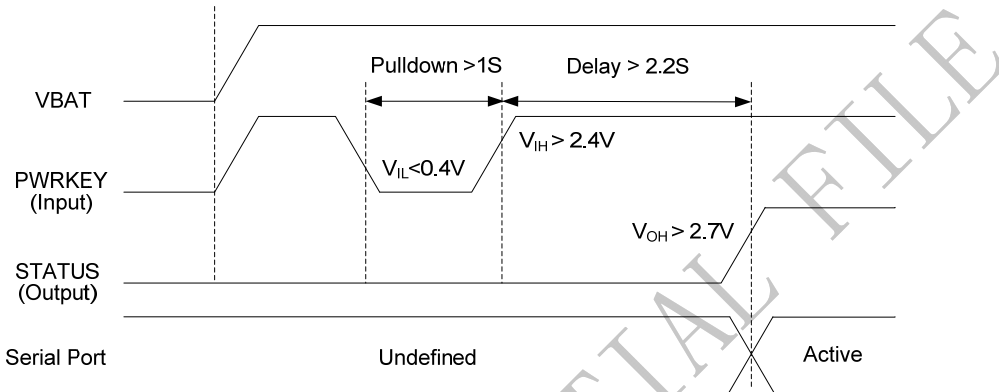


Figure 9: Powered on/down module using transistor



**Figure 10: Powered on/down module using button**

The power on scenarios is illustrated as following figure.



**Figure 11: Timing of power on module**

When power on procedure is completed, SIM900 will send following URC to indicate that the module is ready to operate at fixed baud rate.

***RDY***

This URC does not appear when autobauding function is active.

*Note: User can use AT command “AT+IPR=x” to set a fixed baud rate and save the configuration to non-volatile flash memory. After the configuration is saved as fixed baud rate, the Code “RDY” should be received from the serial port every time when SIM900 is powered on. For details, please refer to the chapter “AT+IPR” in document [1].*

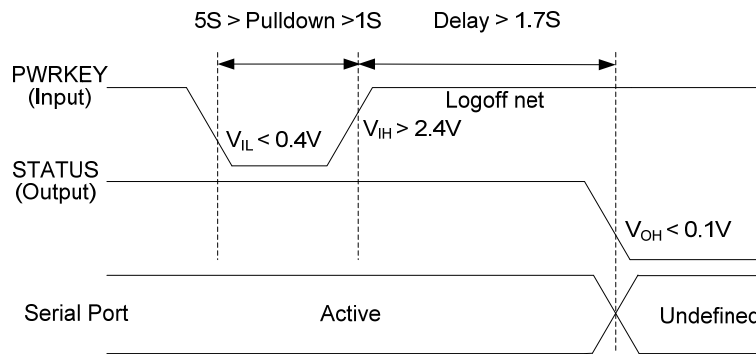
**4.2.2 Power down SIM900**

SIM900 will be powered down in the following situations:

- Normal power down procedure: power down SIM900 by the PWRKEY pin.
- Normal power down procedure: power down SIM900 by AT command “AT+CPOWD=1”.
- Abnormal power down: over-voltage or under-voltage automatic power down.
- Abnormal power down: over-temperature or under-temperature automatic power down.

**4.2.2.1 Power down SIM900 by the PWRKEY Pin**

User can power down SIM900 by pulling down the PWRKEY pin for at least 1 second and release. Please refer to the power on circuit. The power down scenario is illustrated in following figure.



**Figure 12: Timing of power down SIM900 by PWRKEY**

This procedure makes the module log off from the network and allows the software to enter into a secure state to save data before completely shut down.

Before the completion of the power down procedure, the module will send URC:

***NORMAL POWER DOWN***

At this moment, AT commands can not be executed any more, and only the RTC is still active. Power down mode can also be indicated by STATUS pin, which is at low level at this time.

**4.2.2.2 Power down SIM900 by AT Command**

SIM900 can be powered down by AT command “AT+CPOWD=1”. This procedure makes the module log off from the network and allows the software to enter into a secure state to save data before completely shut down.

Before the completion of the power down procedure, the module will send URC:

***NORMAL POWER DOWN***

At this moment, AT commands can not be executed any more, and only the RTC is still active. Power down mode can also be indicated by STATUS pin, which is at low level at this time.

For detail about the AT command “AT+CPOWD”, please refer to *document [1]*

**4.2.2.3 Over-voltage or Under-voltage Power down**

The module software monitors the VBAT voltage constantly.

If the voltage  $\leq 3.3V$ , the following URC will be reported:

***UNDER-VOLTAGE WARNING***

If the voltage  $\geq 4.7V$ , the following URC will be reported:

***OVER-VOLTAGE WARNING***

If the voltage  $< 3.2V$ , the following URC will be reported, and the module will be automatically powered down.

***UNDER-VOLTAGE POWER DOWN***

If the voltage  $> 4.8V$ , the following URC will be reported, and the module will be automatically powered down.

***OVER-VOLTAGE POWER DOWN***

At this moment, AT commands can not be executed any more, and only the RTC is still active. Power down mode can also be indicated by STATUS pin, which is at low level at this time.

#### 4.2.2.4 Over-temperature or Under-temperature Power down

The module will constantly monitor the temperature of the module, If the temperature  $> +80^{\circ}\text{C}$ , the following URC will be reported:

**+CMTE: 1**

If the temperature  $< -30^{\circ}\text{C}$ , the following URC will be reported:

**+CMTE:-1**

If the temperature  $> +85^{\circ}\text{C}$ , the following URC will be reported, and the module will be automatically powered down.

**+CMTE: 2**

If the temperature  $< -40^{\circ}\text{C}$ , the following URC will be reported, and the module will be automatically powered down.

**+CMTE:-2**

At this moment, AT commands can not be executed any more, and only the RTC is still active. Power down mode can also be indicated by STATUS pin, which is at low level at this time.

The AT command “AT+CMTE” could be used to read the temperature when the module is running. For details please refer to *document [1]*.

#### 4.2.3 Restart SIM900 by PWRKEY Pin

When the module works normally, if the user wants to restart the module, follow the procedure below:

- 1) Power down the module.
- 2) Wait for at least 800mS after STATUS pin changed to low level.
- 3) Power on the module.

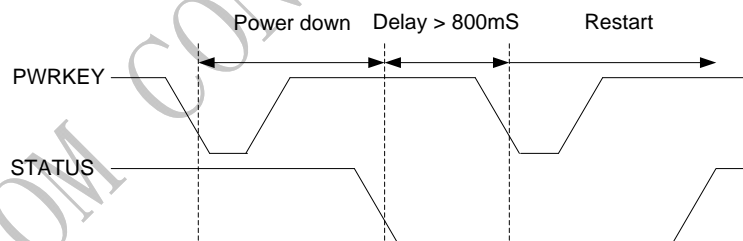


Figure 13: Timing of restart SIM900

### 4.3 Power Saving Mode

SIM900 have two sleep modes: sleep mode 1 is enabled by hardware pin DTR; sleep mode 2 is only enabled by serial port regardless of the DTR. In sleep mode, the current of module is very low. The AT command “AT+CFUN=<fun>” can be used to set SIM900 into minimum functionality. When SIM900 is in sleep mode and minimum functionality, the current of module is lowest.

#### 4.3.1 Minimum Functionality Mode

There are three functionality modes, which could be set by the AT command “AT+CFUN=<fun>”. The command provides the choice of the functionality levels <fun>=0,1,4.

- 0: minimum functionality.
- 1: full functionality (default).
- 4: flight mode (disable RF function).

Minimum functionality mode minimizes the current consumption to the lowest level. If SIM900 is set to minimum functionality by “AT+CFUN=0”, the RF function and SIM card function will be disabled. In this case, the serial port is still accessible, but all AT commands correlative with RF function and SIM card function will not be accessible.

For detailed information about the AT Command “AT+CFUN=<fun>”, please refer to *document [1]*.

**Table 5: The Current consumption of Minimum Functionality Mode**

<fun>	Current consumption(uA) (sleep mode)
0	651
1	1000
4	715

#### 4.3.2 Sleep Mode 1 (AT+CSCLK=1)

User can control SIM900 module to enter or exit the sleep mode 1 (AT+CSCLK=1) by DTR signal. When DTR is in high level and without interrupt (on air and hardware such as GPIO interrupt or data in serial port), SIM900 will enter sleep mode 1 automatically. In this mode, SIM900 can still receive paging or SMS from network but the serial port is not accessible.

*Note: For SIM900, it requests to set AT command “AT+CSCLK=1” and ensure DTR at high level to enable the sleep mode 1; the default value is 0, which can not make the module to enter sleep mode. For more details please refer to document [1].*

#### 4.3.3 Wake Up SIM900 from Sleep Mode 1 (AT+CSCLK=1)

When SIM900 is in sleep mode 1 (AT+CSCLK=1), the following methods can wake up the module:

- Pull down DTR pin.  
The serial port will be active after DTR pin is pulled to low level for about 50ms.
- Receive a voice or data call from network.
- Receive a SMS from network.

#### 4.3.4 Sleep Mode 2 (AT+CSCLK=2)

In this mode, SIM900 will continuously monitor the serial port data signal. When there is no data transfer over 5 seconds on the RXD signal and there is no on air and hardware interrupts (such as GPIO interrupt), SIM900 will enter sleep mode 2 automatically. In this mode, SIM900 can still receive paging or SMS from network but the serial port is not accessible.

*Note: For SIM900, It is requested to set AT command “AT+CSCLK=2” to enable the sleep mode 2; the default value is 0, which can not make the module to enter sleep mode. For more details please refer to document [1].*

### 4.3.5 Wake Up SIM900 from Sleep Mode 2 (AT+CSCLK=2)

When SIM900 is in sleep mode 2 (AT+CSCLK=2), the following methods can wake up the module:

- Send data to SIM900 via main serial port. \*
- Receive a voice or data call from network.
- Receive a SMS from network.

\*Note: The first byte of the user's data will not be recognized.

## 4.4 RTC Backup

Current input for RTC when the VBAT is not supplied for the system. Current output for backup battery when the VBAT power supply is present and the backup battery is in low voltage state. The RTC power supply of module can be provided by an external capacitor or a battery (non-chargeable or rechargeable) through the VRTC. The following figures show various reference circuits for RTC back up.

- External capacitor backup

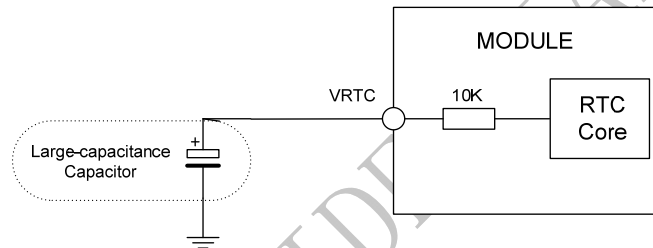


Figure 14: RTC supply from capacitor

- Non-chargeable battery backup

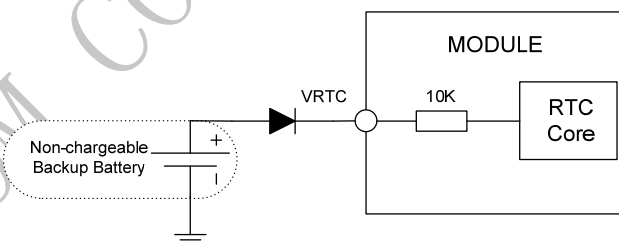


Figure 15: RTC supply from non-chargeable battery

- Rechargeable battery backup

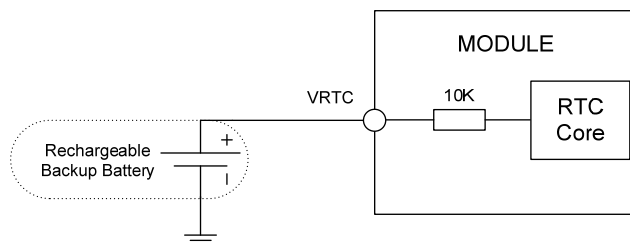


Figure 16: RTC supply from rechargeable battery



Coin-type rechargeable battery is recommended, such as XH414H-IV01E form Seiko can be used.

Typical charge-discharge curves for this battery are shown in the following figure.

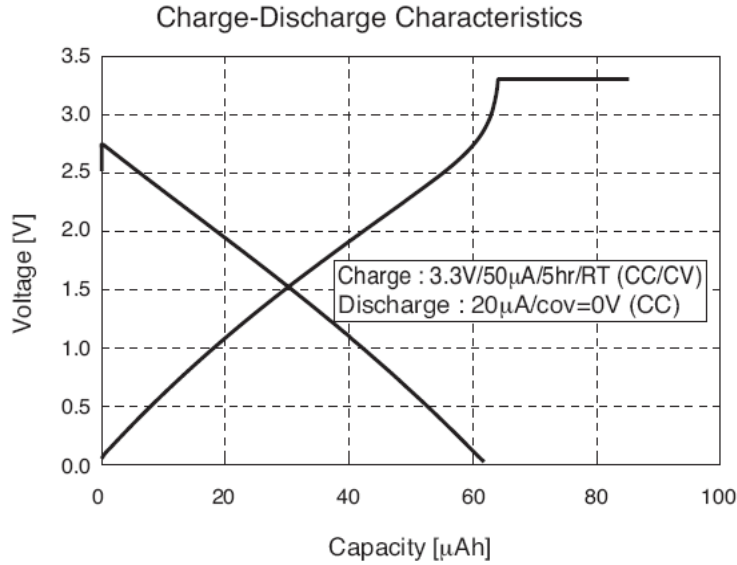


Figure 17: Seiko XH414H-IV01E Charge-Discharge Characteristic

#### 4.5 Serial Interfaces

SIM900 provides two unbalanced asynchronous serial ports. One is the serial port and the other is the debug port. The module is designed as a DCE (Data Communication Equipment). The following figure shows the connection between module and client (DTE).

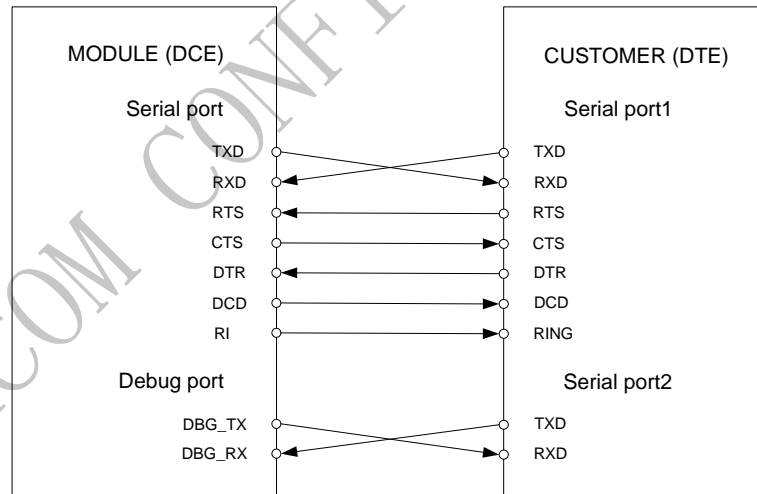


Figure 18: Connection of the serial interfaces

If only RXD and TXD are used in user’s application, other serial pins should be kept open. Please refer to following figure.

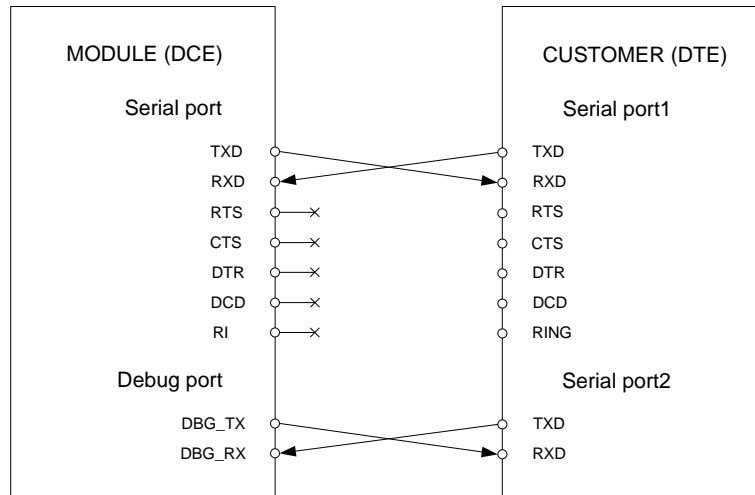


Figure 19: Connection of RXD and TXD only

#### 4.5.1 Function of Serial Port and Debug Port

Serial port:

- Full modem device.
- Contains data lines TXD and RXD, hardware flow control lines RTS and CTS, status lines DTR, DCD and RI.
- Serial port can be used for CSD FAX, GPRS service and AT communication. It can also be used for multiplexing function. For details about multiplexing function, please refer to *document [3]*.
- Serial port supports the following baud rates:  
1200, 2400, 4800, 9600, 19200, 38400, 57600 and 115200bps
- Autobauding only supports the following baud rates:  
1200, 2400, 4800, 9600, 19200, 38400 and 57600bps
- The default setting is autobauding.

Autobauding allows SIM900 to automatically detect the baud rate of the host device. Pay more attention to the following requirements:

- **Synchronization between DTE and DCE:**  
When DCE powers on with autobauding enabled, user must firstly send character “A” to synchronize the baud rate. It is recommended to send “AT” until DTE receives the “OK” response, which means DTE and DCE are correctly synchronized. For more information please refer to the AT command “AT+IPR”.
- **Restrictions of autobauding operation:**  
The DTE serial port must be set at 8 data bits, no parity and 1 stop bit.  
The URC such as "RDY", "+CFUN: 1" and "+CPIN: READY" will not be reported.

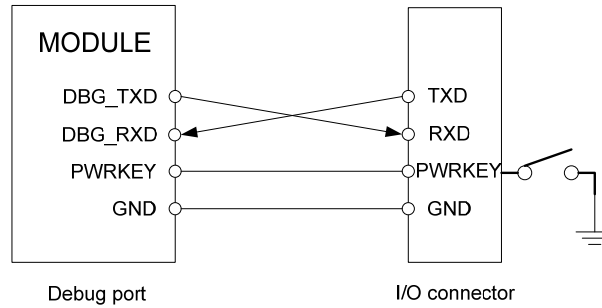
*Note: User can use AT command “AT+IPR=x” to set a fixed baud rate and the setting will be saved to non-volatile flash memory automatically. After the configuration is set as fixed baud rate, the URC such as "RDY", "+CFUN: 1" and "+CPIN: READY" will be reported when SIM900 is powered on.*

Debug port:

- Used for debugging and upgrading firmware.
- Debug port supports the baud rate of 115200bps.

### 4.5.2 Software Upgrade and Debug

Refer to the following figure for debugging and upgrading software.



**Figure 20: Connection for software upgrading and debugging**

The serial port and the debug port support the CMOS level. If user connects the module to the computer, the level shifter should be added between the DCE and DTE.

For details about software upgrading, please refer to *document [4]*.

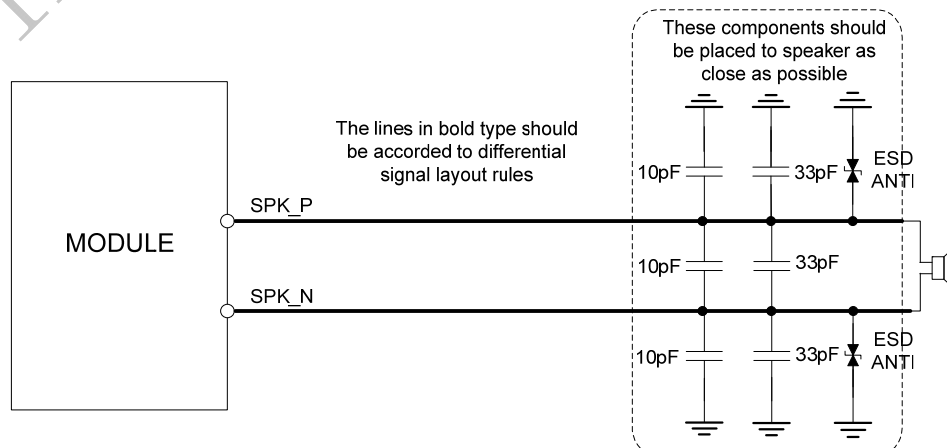
### 4.6 Audio Interfaces

SIM900 provides one analog input, AIN, which could be used for electret microphone. The module also provides one analog output, AOUT. The output can directly drive 32Ω receiver.

AT command “AT+CMIC” is used to adjust the input gain level of microphone. AT command “AT+SIDET” is used to set the side-tone level. In addition, AT command “AT+CLVL” is used to adjust the output gain level. For more details, please refer to *document [1]* and *document [5]*.

In order to improve audio performance, the following reference circuits are recommended. The audio signals have to be layout according to differential signal layout rules as shown in following figures. If user needs to use an amplifier circuit for audio, National Semiconductor Company’s LM4890 is recommended.

#### 4.6.1 Speaker Interface Configuration



**Figure 21: Speaker reference circuit**

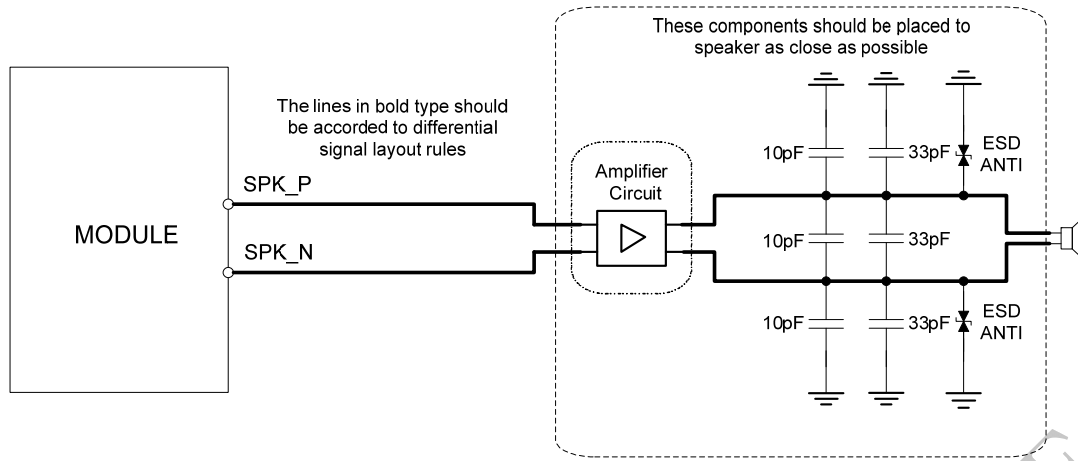


Figure 22: Speaker with amplifier reference circuit

#### 4.6.2 Microphone Interfaces Configuration

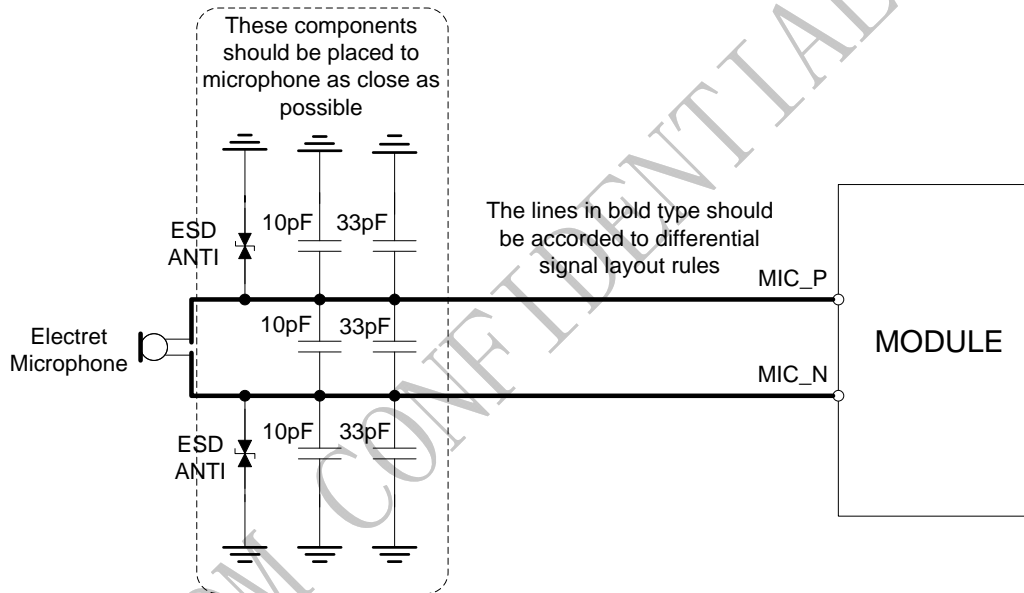


Figure 23 : Microphone reference circuit

Microphone input also could be used to LINE-IN input. For details, please refer to *document [6]*.

### 4.6.3 Earphone Interface Configuration

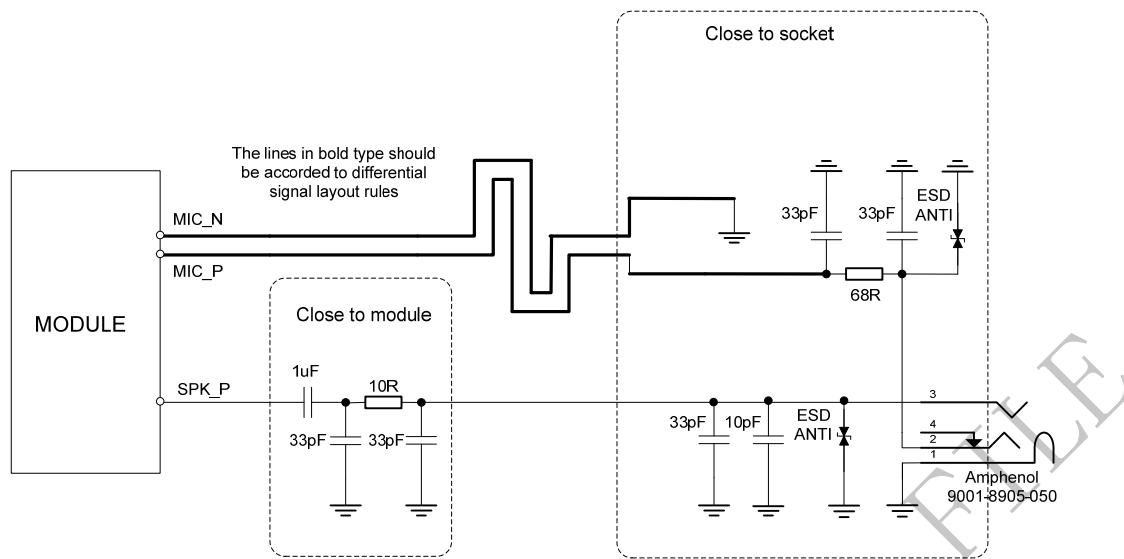


Figure 24: Earphone reference circuit

### 4.6.4 Audio Electronic Characteristics

Table 6: Microphone Input Characteristics

Parameter	Min	Typ	Max	Unit
Working Voltage	1.2	1.5	2.0	V
Working Current	200		500	uA
External Microphone Load Resistance	1.2	2.2		kΩ
Internal biasing DC Characteristics			2.5	V
Differential input voltage	THD <1% at F=1KHz; pre-amp gain = 20 dB; PGA gain = 14 dB		15.9	mVrms
	THD <5% at F=1KHz; pre-amp gain = 0 dB; PGA gain = 0 dB		740	mVrms

Table 7: Audio Output Characteristics

Parameter	Conditions	Min	Typ	Max	Unit
Normal Output (SPK)	RL=32Ω, THD=0.1%	-	91	-	mW
	RL=32Ω, THD=1%	-	96	-	mW
	Output swing voltage (single ended)			1.1	Vpp
	Output swing voltage (differential)			2.2	Vpp

## 4.7 SIM Card Interface

### 4.7.1 SIM Card Application

The SIM interface complies with the GSM Phase 1 specification and the new GSM Phase 2+ specification for FAST 64 kbps SIM card. Both 1.8V and 3.0V SIM card are supported. The SIM interface is powered from an internal regulator in the module.

It is recommended to use an ESD protection component such as ST ([www.st.com](http://www.st.com)) ESDA6V1W5 or ON SEMI ([www.onsemi.com](http://www.onsemi.com)) SMF05C. The pull up resistor (15KΩ) on the SIM\_DATA line is already added in the module internal. Note that the SIM peripheral circuit should be close to the SIM card socket. The reference circuit of the 8-pin SIM card holder is illustrated in the following figure.

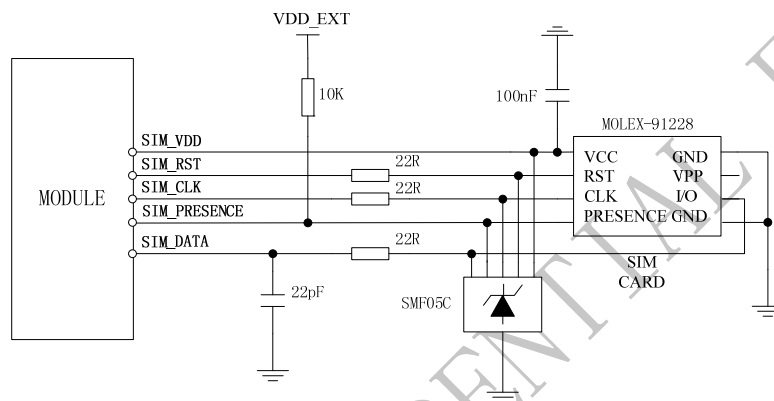


Figure 25: Reference circuit of the 8-pin SIM card holder

The SIM\_PRESENCE pin is used for detection of the SIM card hot plug in. User can select the 8-pin SIM card holder to implement SIM card detection function. AT command “AT+CSDT” is used to enable or disable SIM card detection function. For details of this AT command, please refer to *document [1]*.

If the SIM card detection function is not used, user can keep the SIM\_PRESENCE pin open. The reference circuit of 6-pin SIM card holder is illustrated in the following figure.

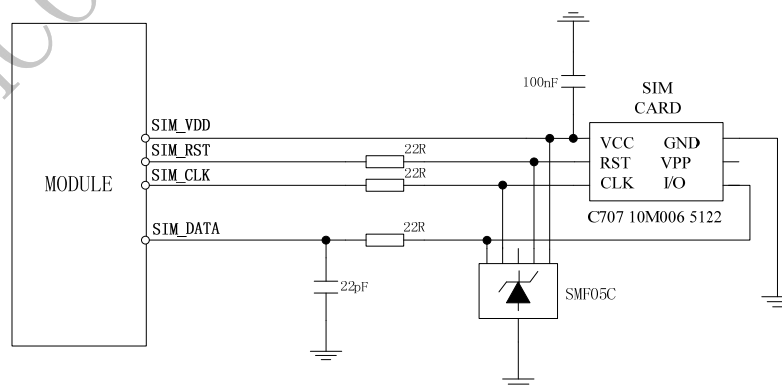


Figure 26: Reference circuit of the 6-pin SIM card holder

### 4.7.2 Design Considerations for SIM Card Holder

For 6-pin SIM card holder, SIMCom recommends to use Amphenol C707 10M006 5122 .User can visit <http://www.amphenol.com> for more information about the holder.

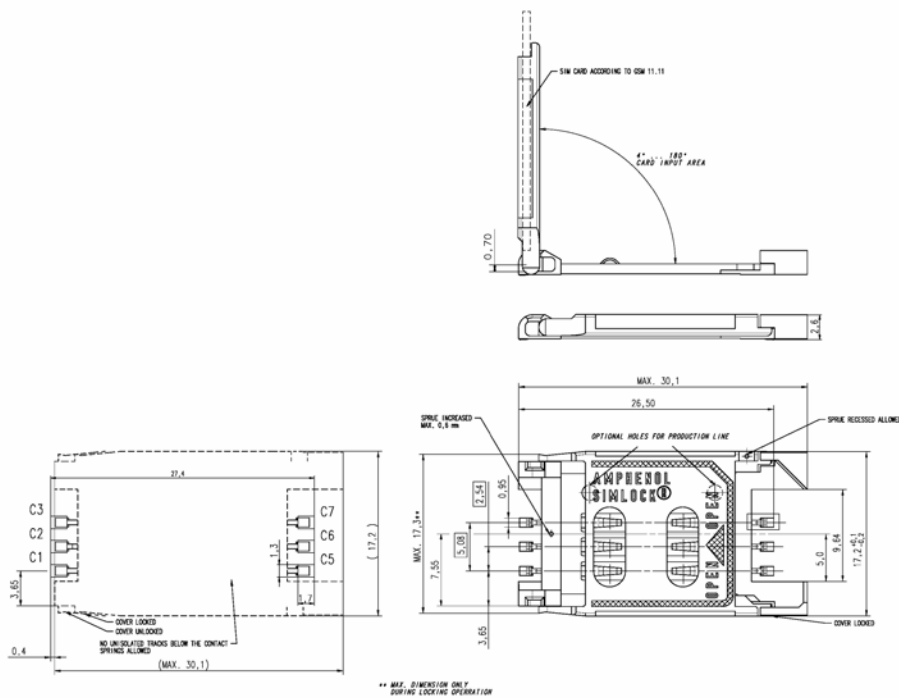


Figure 27: Amphenol C707 10M006 5122 SIM card holder

Table 8: Pin description (Amphenol SIM card holder)

Pin name	Signal	Description
C1	SIM_VDD	SIM card power supply
C2	SIM_RST	SIM card reset
C3	SIM_CLK	SIM card clock
C5	GND	Connect to GND
C6	VPP	Not connect
C7	SIM_DATA	SIM card data I/O

For 8 pins SIM card holder, SIMCom recommends to use Molex 91228. User can visit <http://www.molex.com> for more information about the holder.

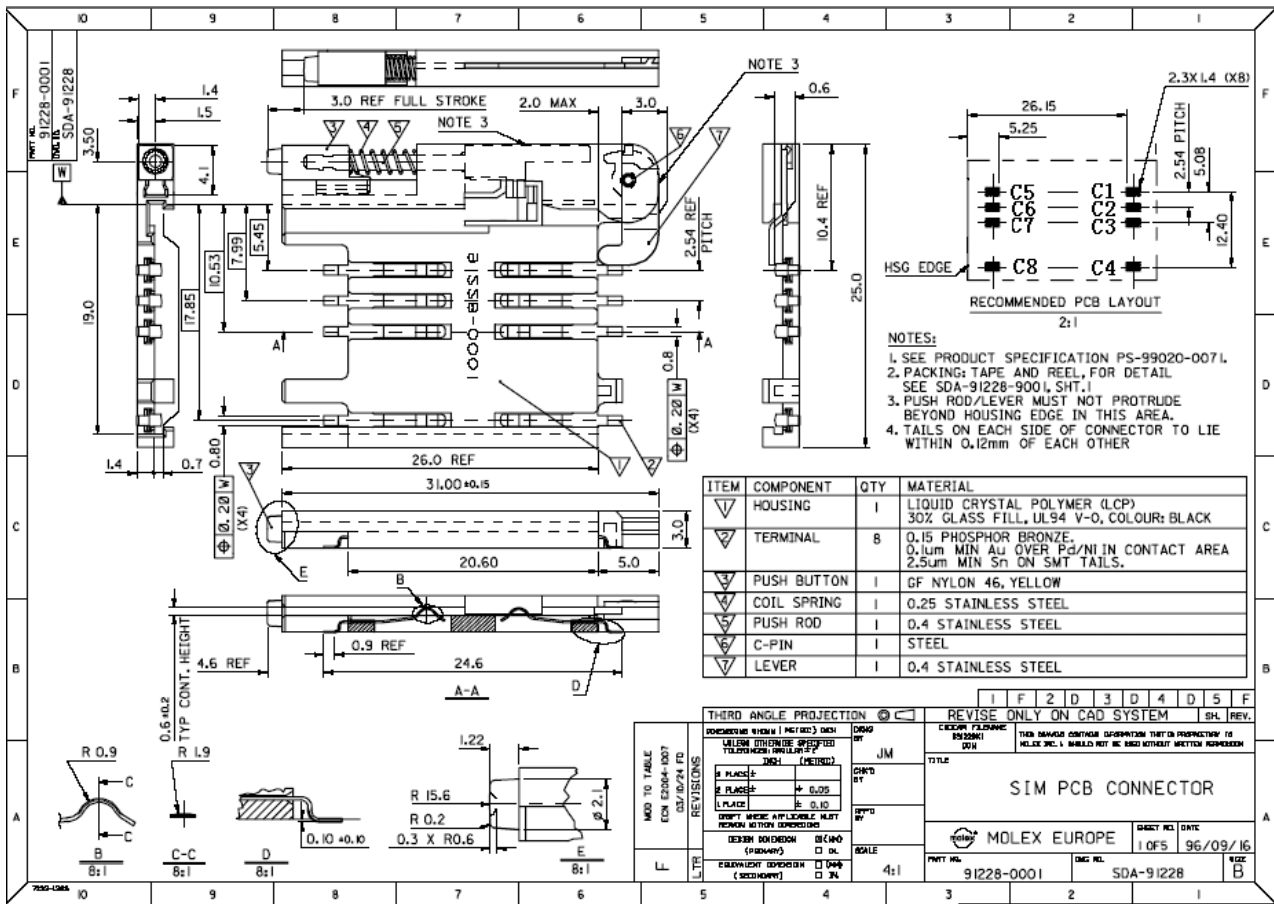


Figure 28: Molex 91228 SIM card holder

Table 9: Pin description (Molex SIM card holder)

Pin name	Signal	Description
C1	SIM_VDD	SIM card power supply
C2	SIM_RST	SIM card reset
C3	SIM_CLK	SIM card clock
C4	GND	Connect to GND
C5	GND	Connect to GND
C6	VPP	Not connect
C7	SIM_DATA	SIM card data I/O
C8	SIM_PRESENCE	Detect SIM card presence

### 4.8 LCD Display/SPI Interface

SIM900 provides a serial LCD display interface. It could also be used as SPI interface in the embedded AT application. For details about embedded AT application, please refer to *document [7]*.

*Note: This function is not supported in the standard firmware. If user wants this function, the firmware must be customized. Please contact SIMCom for more details.*



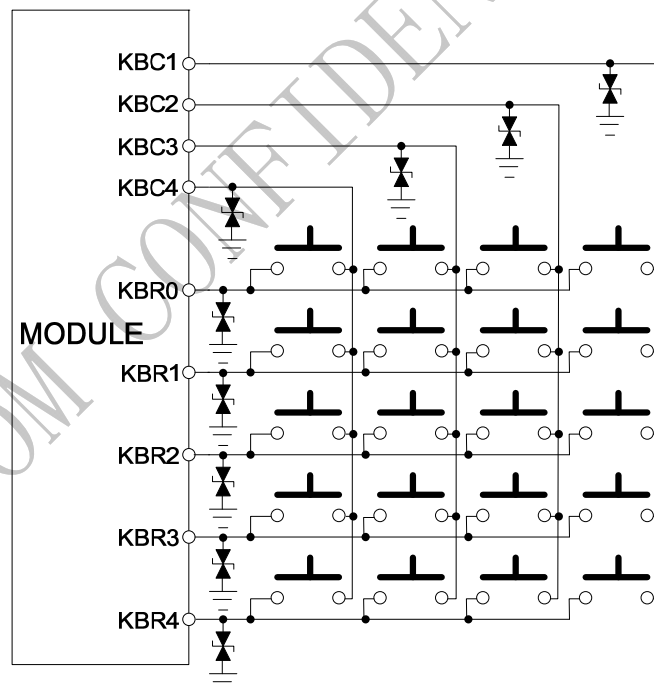
## 4.9 Keypad Interface

The keypad interface consists of 4 keypad column outputs and 5 keypad row inputs. The basic configuration is 4 keypad columns and 5 keypad rows, total 20 keys.

**Table 10: Pin definition of the keypad interface**

Pin name	Pin number	Default function	Second function	Default state
GPIO1/ KBR4	40	GPIO1	Keypad matrix column	Output, Pull down
GPIO2/ KBR3	41	GPIO2		Output, Pull down
GPIO3/ KBR2	42	GPIO3		Output, Pull down
GPIO4/ KBR1	43	GPIO4		Output, Pull down
GPIO5/ KBR0	44	GPIO5		Output, Pull down
GPIO6/ KBC4	47	GPIO6	Keypad matrix row	Output, Pull down
GPIO7/ KBC3	48	GPIO7		Output, Pull down
GPIO8/ KBC2	49	GPIO8		Output, Pull down
GPIO9/ KBC1	50	GPIO9		Output, Pull down

The keypad interface allows a direct external matrix connection. A typical recommended circuit of the keypad is shown in the following figure.



**Figure 29: Reference circuit of the keypad interface**

*Note: This function is not supported in the standard firmware. If user wants this function, the firmware must be customized. Please contact SIMCom for more details.*

## 4.10 ADC

SIM900 provides an auxiliary ADC, which can be used to measure the voltage. User can use AT command

“AT+CADC” to read the voltage value. For details of this AT command, please refer to *document [1]*.

**Table 11: ADC specification**

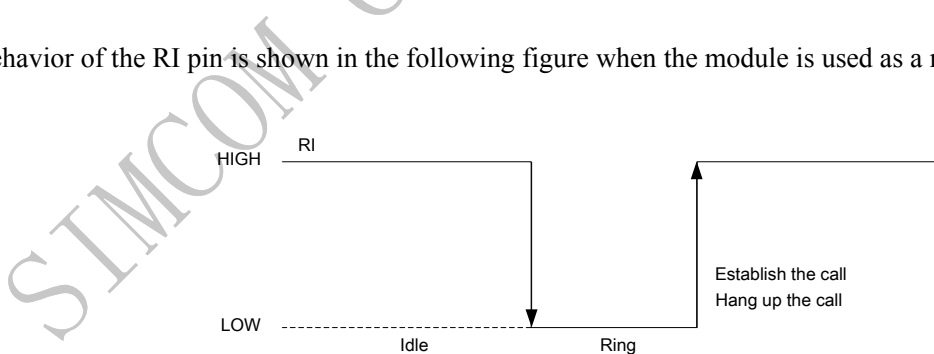
Parameter	Min	Typ	Max	Unit
Voltage range	0	-	2.8	V
ADC Resolution	-	10	-	bits
Sampling rate	-	-	200K	Hz

### 4.11 RI Behaviors

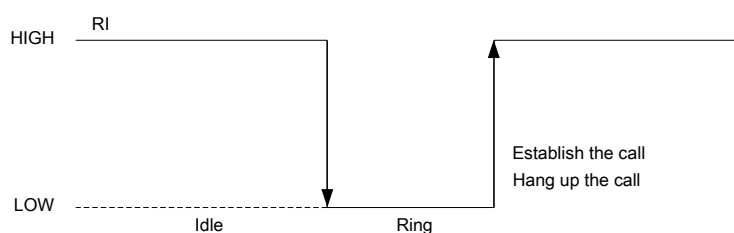
**Table 12: RI Behaviors**

State	RI response
Standby	High
Voice call	The pin is changed to low. When any of the following events occur, the pin will be changed to high: (1) Establish the call (2) Hang up the call
Data call	The pin is changed to low. When any of the following events occur, the pin will be changed to high: (1) Establish the call (2) Hang up the call
SMS	The pin is changed to low, and kept low for 120ms when a SMS is received. Then it is changed to high.
URC	The pin is changed to low, and kept low for 120ms when some URCs are reported. Then it is changed to high. For more details, please refer to <i>document [8]</i> .

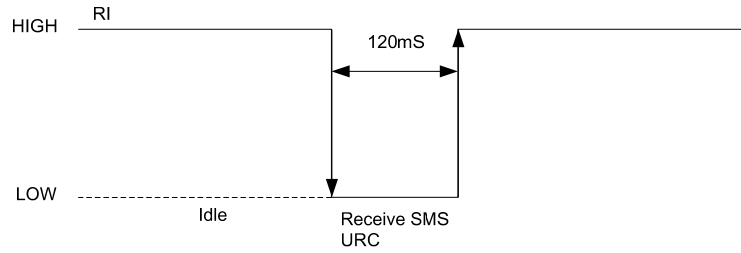
The behavior of the RI pin is shown in the following figure when the module is used as a receiver.



**Figure 30: RI behaviour of voice calling as a receiver**

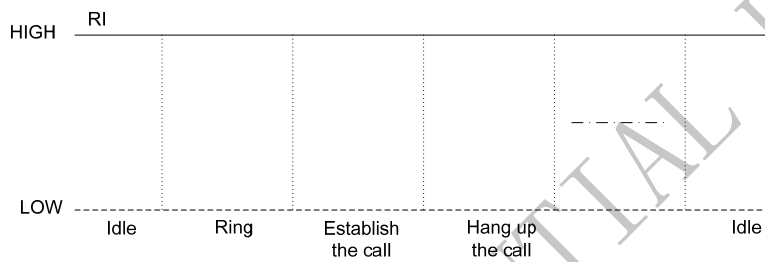


**Figure 31: RI behaviour of data calling as a receiver**



**Figure 32: RI behaviour of URC or receive SMS**

However, if the module is used as caller, the RI will remain high. Please refer to the following figure.



**Figure 33: RI behaviour as a caller**

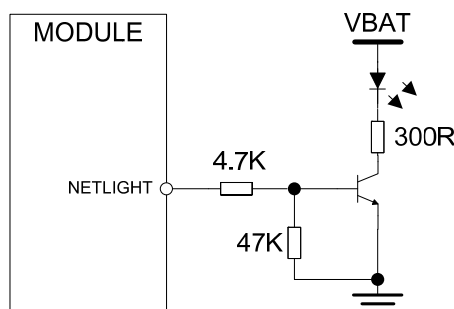
### 4.12 Network Status Indication

The NETLIGHT pin can be used to drive a network status indication LED. The status of this pin is listed in following table:

**Table 13: Status of the NETLIGHT pin**

Status	SIM900 behavior
Off	SIM900 is not running
64ms On/ 800ms Off	SIM900 not registered the network
64ms On/ 3000ms Off	SIM900 registered to the network
64ms On/ 300ms Off	GPRS communication is established

A reference circuit is recommended in the following figure:



**Figure 34: Reference circuit of NETLIGHT**

### 4.13 General Purpose Input/Output (GPIO)

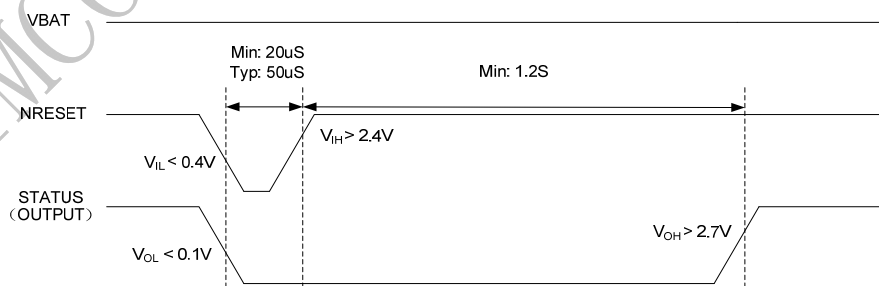
SIM900 provides up to 12 GPIO pins. The output voltage level of the GPIO can be set by the AT command “AT+SGPIO”. The input voltage level of the GPIO can also be read by the AT command “AT+SGPIO”. For more details, please refer to *document [1]*.

**Table 14: Pin definition of the GPIO interface**

Pin name	Pin number	Default function	Second function	Default state
GPIO1/ KBR4	40	GPIO1	KBR4	Output, pull down
GPIO2/ KBR3	41	GPIO2	KBR3	Output, pull down
GPIO3/ KBR2	42	GPIO3	KBR2	Output, pull down
GPIO4/ KBR1	43	GPIO4	KBR1	Output, pull down
GPIO5/ KBR0	44	GPIO5	KBR0	Output, pull down
GPIO6/ KBC4	47	GPIO6	KBC4	Output, pull down
GPIO7/ KBC3	48	GPIO7	KBC3	Output, pull down
GPIO8/ KBC2	49	GPIO8	KBC2	Output, pull down
GPIO9/ KBC1	50	GPIO9	KBC1	Output, pull down
GPIO10	51	GPIO10		Output, pull down
GPIO11	67	GPIO11		Output, pull down
GPIO12	68	GPIO12		Output, pull down

### 4.14 External Reset

The external NRESET pin is used to reset the module. This function is used as an emergency reset only when AT command “AT+CPOWD=1” and the PWRKEY pin have no effect. The NRESET pin could be pulled down to reset the module. The reset timing is illustrated in the following figure.


**Figure 35: Reset timing**

This pin is already pulled up in the module, so the external pull-up resistor is not necessary. A 100nF capacitor close to the NRESET pin is strongly recommended. A reference circuit is shown in the following figure.

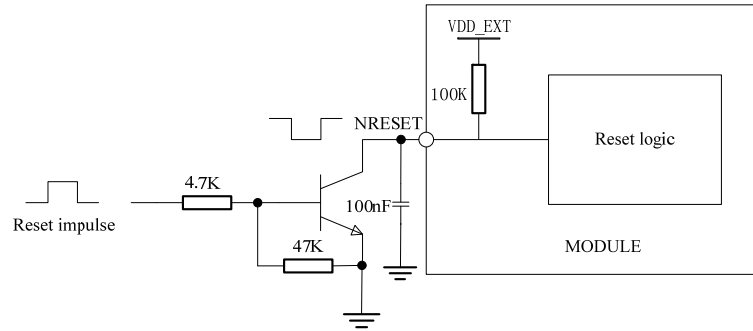


Figure 36: Reset reference design circuit

**NOTE:** It is recommended to cut off the VBAT power supply directly instead of using external reset pin when SIM900 can not respond to the AT command “AT+CPOWD=1” and PWRKEY pin.

### 4.15 PWM

SIM900 provides two PWMs which can be used to drive a vibrator, and a backlight LED for display or keyboard. Each PWM output frequency varies from 25.6KHz to 3.25MHz. Two 7-bit unsigned binary parameters are used for the output period and for the duty cycle. The AT command “AT + SPWM” is used to set the output period and duty cycle of the PWM. For details, please refer to *document [1]*.

### 4.16 I<sup>2</sup>C Bus

The SIM900 provides an I<sup>2</sup>C interface which is only used in the embedded AT application.

*Note: This function is not supported in the standard firmware. If user wants this function, the firmware must be customized. Please contact SIMCom for more details.*

### 4.17 Antenna Interface

SIM900 provides a RF antenna interface. The customer’s antenna should be located in the customer’s main board and connect to module’s antenna pad through microstrip line or other type RF trace which impedance must be controlled in 50Ω. To facilitate the antenna tuning and certification test, a RF connector and an antenna matching circuit should be added. The following figure is the recommended circuit.

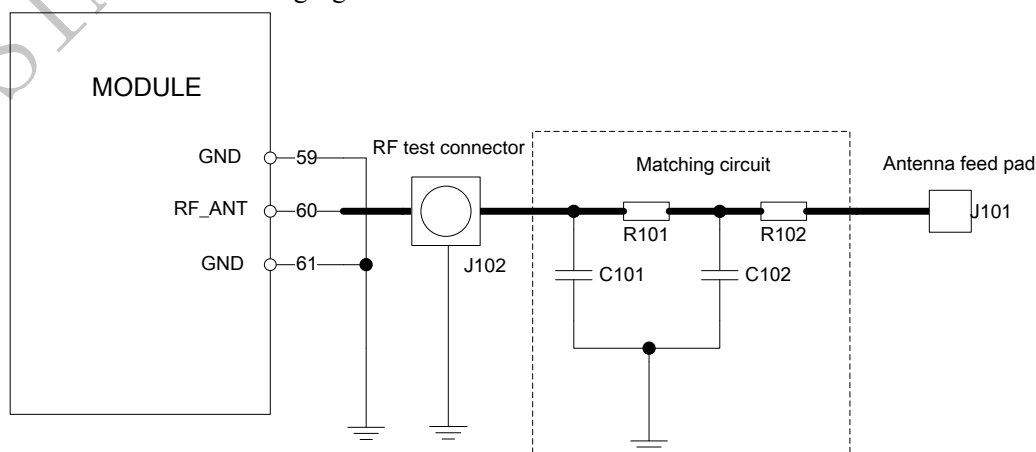


Figure 37: Antenna matching circuit

In this figure, the components R101,R102,C101 and C102 is used for antenna matching, the components' value only can be got after the antenna tuning. Usually, matching components' value is provided by antenna vendor, the default value of R101 and R102 are  $0\Omega$ , and reserve the place of C101 and C102 without soldering.

The RF test connector in above figure is used for conducted RF performance test, and should be placed as close as possible to the module's RF\_ANT pin. The traces in bold type should be treated as  $50\Omega$  impedance controlled line in PCB layout. For details about radio frequency trace layout, please refer to *document [9]*.

SIMCOM CONFIDENTIAL FILE

## 5 Electrical, Reliability and Radio Characteristics

### 5.1 Absolute Maximum Ratings

The absolute maximum ratings stated in following table are stress ratings under non-operating conditions. Stresses beyond any of these limits will cause permanent damage to SIM900.

**Table 15: Absolute maximum ratings**

Symbol	Parameter	Min	Typ	Max	Unit
V <sub>BAT</sub>	Power supply voltage	-	-	5.5	V
V <sub>I</sub> *	Input voltage	-0.3	-	3.1	V
I <sub>I</sub> *	Input current	-	-	10	mA
I <sub>O</sub> *	Output current	-	-	10	mA

\* These parameters are for digital interface pins, such as keypad, GPIO, I<sup>2</sup>C, UART, LCD, PWMs and DEBUG.

### 5.2 Recommended Operating Conditions

**Table 16: Recommended operating conditions**

Symbol	Parameter	Min	Typ	Max	Unit
V <sub>BAT</sub>	Power supply voltage	3.2	4.0	4.8	V
T <sub>OPER</sub>	Operating temperature	-40	+25	+85	°C
T <sub>STG</sub>	Storage temperature	-45		+90	°C

### 5.3 Digital Interface Characteristics

**Table 17: Digital interface characteristics**

Symbol	Parameter	Min	Typ	Max	Unit
I <sub>IH</sub>	High-level input current	-10	-	10	uA
I <sub>IL</sub>	Low-level input current	-10	-	10	uA
V <sub>IH</sub>	High-level input voltage	2.4	-	-	V
V <sub>IL</sub>	Low-level input voltage	-	-	0.4	V
V <sub>OH</sub>	High-level output voltage	2.7	-	-	V
V <sub>OL</sub>	Low-level output voltage	-	-	0.1	V

\* These parameters are for digital interface pins, such as keypad, GPIO, I<sup>2</sup>C, UART, LCD, PWMs and DEBUG.

## 5.4 SIM Card Interface Characteristics

**Table 18: SIM card interface characteristics**

Symbol	Parameter	Min	Typ	Max	Unit
$I_{IH}$	High-level input current	-10	-	10	$\mu A$
$I_{IL}$	Low-level input current	-10	-	10	$\mu A$
$V_{IH}$	High-level input voltage	1.4	-	-	V
		2.4	-	-	V
$V_{IL}$	Low-level input voltage	-	-	0.4	V
		-	-	2.4	V
$V_{OH}$	High-level output voltage	1.7	-	-	V
		2.7	-	-	V
$V_{OL}$	Low-level output voltage	-	-	0.1	V
		-	-	0.1	V

## 5.5 VDD\_EXT Characteristics

**Table 19: VDD\_EXT characteristics**

Symbol	Parameter	Min	Typ	Max	Unit
$V_O$	Output voltage	2.70	2.80	2.95	V
$I_O$	Output current	-	-	10	mA

## 5.6 SIM\_VDD Characteristics

**Table 20: SIM\_VDD characteristics**

Symbol	Parameter	Min	Typ	Max	Unit
$V_O$	Output voltage	2.75	2.9	3.00	V
		1.65	1.80	1.95	
$I_O$	Output current	-	-	10	mA



## 5.7 VRTC Characteristics

**Table 21: VRTC characteristics**

Symbol	Parameter	Min	Typ	Max	Unit
V <sub>RTC-IN</sub>	VRTC input voltage	2.00	3.00	3.15	V
I <sub>RTC-IN</sub>	VRTC input current	-	2	-	uA
V <sub>RTC-OUT</sub>	VRTC output voltage	-	3.00	-	V
I <sub>RTC-OUT</sub>	VRTC output current	-	10	-	uA

## 5.8 Current Consumption (VBAT = 3.8V)

**Table 22: Current consumption\***

Symbol	Parameter	Conditions	Value	Unit		
I <sub>VRTC</sub>	VRTC current	VBAT disconnects. Backup battery is 3 V	2	uA		
I <sub>VBAT</sub>	VBAT current	Power down mode	30	uA		
		Sleep mode	BS-PA-MFRMS=9	1.0	mA	
			BS-PA-MFRMS=5	1.2		
			BS-PA-MFRMS=2	1.5		
		Idle mode	GSM 850	22	mA	
			EGSM 900			
			DCS 1800			
			PCS 1900			
		Voice call	GSM 850 EGSM 900	PCL=5	250	mA
				PCL=12	110	
			PCL=19	76		
			DCS 1800 PCS 1900	PCL=0	168	
				PCL=7	89	
				PCL=15	76	
		Data mode GPRS(1Rx,1Tx)	GSM 850 EGSM 900	PCL=5	240	mA
				PCL=12	110	
				PCL=19	83	
			DCS 1800 PCS 1900	PCL=0	170	mA
				PCL=7	95	
				PCL=15	80	
Data mode GPRS(4Rx,1Tx)	GSM 850 EGSM 900	PCL=5	270	mA		
		PCL=12	150			
		PCL=19	120			
	DCS 1800 PCS 1900	PCL=0	205	mA		
		PCL=7	130			
		PCL=15	115			

		Data mode GPRS(3Rx,2Tx)	GSM 850 EGSM 900	PCL=5	440	mA			
				PCL=12	185				
				PCL=19	130				
						DCS 1800 PCS 1900	PCL=0	300	mA
							PCL=7	155	
							PCL=15	122	
I <sub>VBAT-peak</sub>	Peak current	During Tx burst			2	A			

\* In above table the current consumption value is the typical one of the module tested in laboratory. In the mass production stage, there may be differences among each individual.

## 5.9 Electro-Static Discharge

SIM900 is an ESD sensitive component, so more attention should be paid to the procedure of handling and packaging. The ESD test results are shown in the following table.

**Table 23: The ESD characteristics (Temperature: 25°C, Humidity: 45 %)**

Pin	Contact discharge	Air discharge
VBAT	±5KV	±10KV
GND	±4KV	±10KV
RXD, TXD	±3KV	±6KV
Antenna port	±5KV	±10KV
SPK_P/ SPK_N MIC_P/ MIC_N	±2KV	±6KV
PWRKEY	±1KV	±6KV

## 5.10 Radio Characteristics

### 5.10.1 Module RF Output Power

The following table shows the module conducted output power, it is followed by the 3GPP TS 05.05 technical specification requirement.

**Table 24: SIM900 GSM 900 and GSM 850 conducted RF output power**

GSM 900 and EGSM 850			
PCL	Nominal output power (dBm)	Tolerance (dB) for conditions	
		Normal	Extreme
0-2	39	±2	±2.5
3	37	±3	±4
4	35	±3	±4
5	33	±3	±4

6	31	±3	±4
7	29	±3	±4
8	27	±3	±4
9	25	±3	±4
10	23	±3	±4
11	21	±3	±4
12	19	±3	±4
13	17	±3	±4
14	15	±3	±4
15	13	±3	±4
16	11	±5	±6
17	9	±5	±6
18	7	±5	±6
19-31	5	±5	±6

Table 25: SIM900 DCS 1800 and PCS 1900 conducted RF output power

DCS 1800 and PCS 1900			
PCL	Nominal output power (dBm)	Tolerance (dB) for conditions	
		Normal	Extreme
29	36	±2	±2.5
30	34	±3	±4
31	32	±3	±4
0	30	±3	±4
1	28	±3	±4
2	26	±3	±4
3	24	±3	±4
4	22	±3	±4
5	20	±3	±4
6	18	±3	±4
7	16	±3	±4
8	14	±3	±4
9	12	±4	±5
10	10	±4	±5
11	8	±4	±5
12	6	±4	±5
13	4	±4	±5
14	2	±5	±6
15-28	0	±5	±6

For the module’s output power, the following is should be noted:

At GSM900 and GSM850 band, the module is a class 4 device, so the module’s output power should not exceed

33dBm, and at the maximum power level, the output power tolerance should not exceed +/-2dB under normal condition and +/-2.5dB under extreme condition.

At DCS1800 and PCS1900 band, the module is a class 1 device, so the module’s output power should not exceed 30dBm, and at the maximum power level, the output power tolerance should not exceed +/-2dB under normal condition and +/-2.5dB under extreme condition.

### 5.10.2 Module RF Receive Sensitivity

The following table shows the module’s conducted receive sensitivity, it is tested under static condition.

**Table 26: SIM900 conducted RF receive sensitivity**

Frequency	Receive sensitivity (Typical)	Receive sensitivity(Max)
GSM850	-109dBm	-107dBm
EGSM900	-109dBm	-107dBm
DCS1800	-109dBm	-107dBm
PCS1900	-109dBm	-107dBm

### 5.10.3 Module Operating Frequencies

The following table shows the module’s operating frequency range; it is followed by the 3GPP TS 05.05 technical specification requirement.

**Table 27: SIM900 operating frequencies**

Frequency	Receive	Transmit
GSM850	869 ~ 894MHz	824 ~ 849 MHz
EGSM900	925 ~ 960MHz	880 ~ 915MHz
DCS1800	1805 ~ 1880MHz	1710 ~ 1785MHz
PCS1900	1930 ~ 1990MHz	1850 ~ 1910MHz

## 6 Manufacturing

### 6.1 Top and Bottom View of SIM900

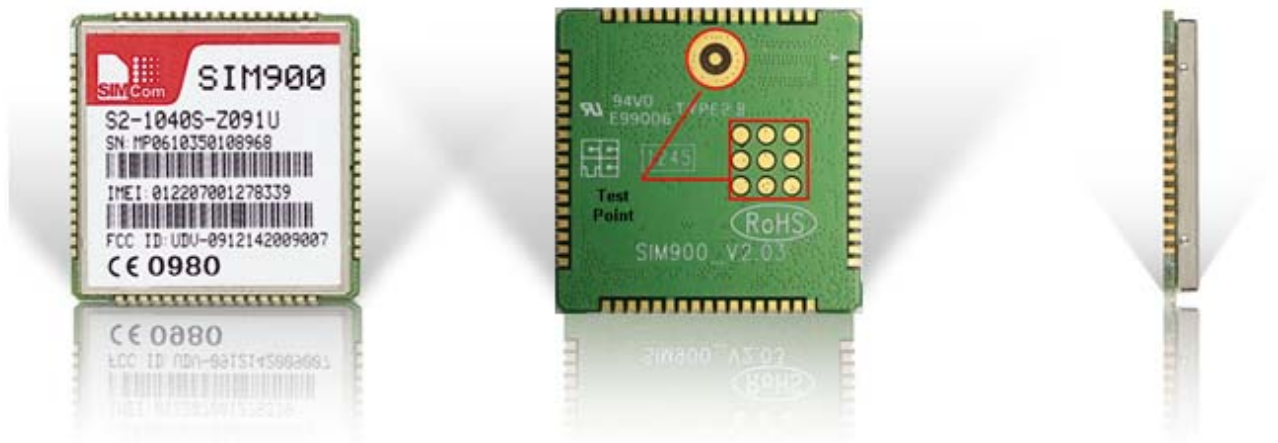


Figure 38: Top, bottom and side view of SIM900

*Note: These test points are only used for module manufacturing and testing. They are not for customer using.*

The following figure marked the information of SIM900 module.

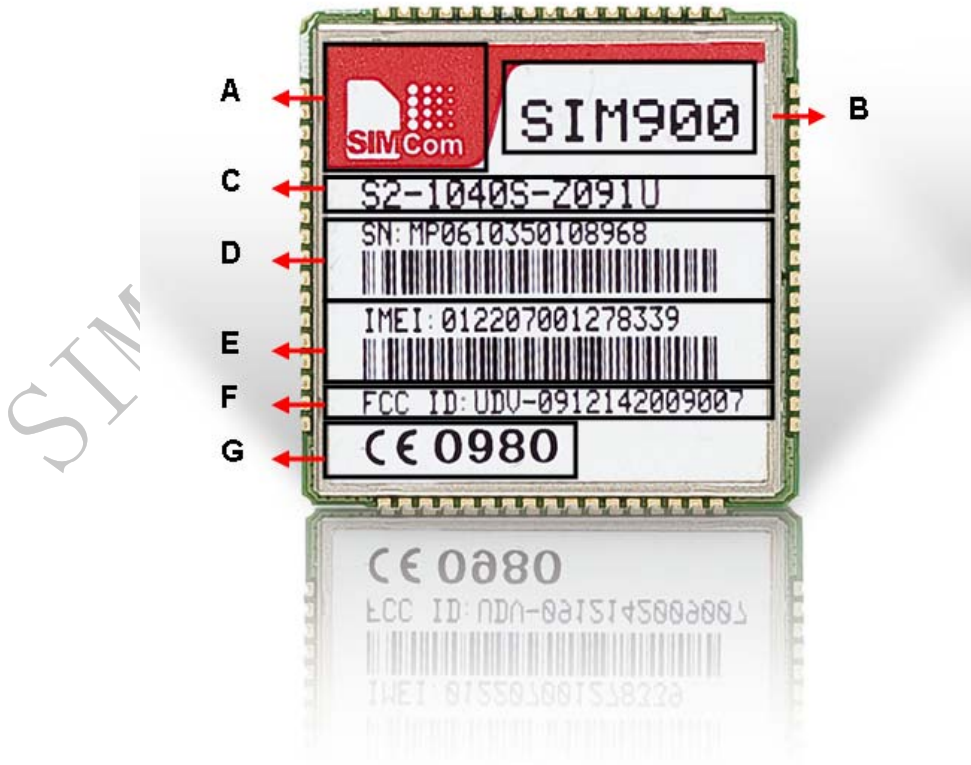
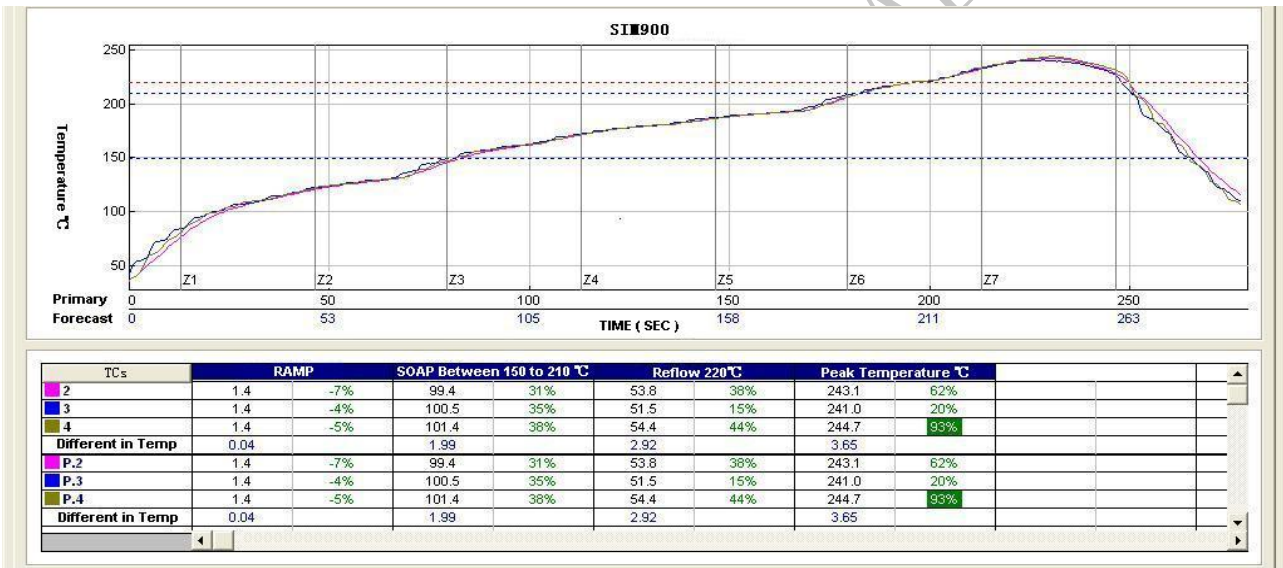


Figure 39: Module information

**Table 28: illustration of module information**

Item	Description
A	Logo of SIMCom
B	Module name
C	Module part number
D	Module serial number and bar code
E	Module IMEI and bar code
F	FCC authenticated ID
G	CE authenticated logo

## 6.2 Typical Solder Reflow Profile



**Figure 40: Typical Solder Reflow Profile**

For details about secondary SMT, please refer to *document [10]*.

## 6.3 The Moisture Sensitivity Level

The moisture sensitivity level of SIM900 is 3. The module should be mounted within 168 hours after unpacking in the environmental conditions of temperature  $<30^{\circ}\text{C}$  and relative humidity of  $<60\%$  (RH). It is necessary to bake the module if the above conditions are not met:

**Table 29: Moisture classification level and floor life**

Level	Floor Life (out of bag) at factory ambient $\leq 30^{\circ}\text{C}$ /60% RH or as stated
1	Unlimited at $\leq 30^{\circ}\text{C}$ /85% RH
2	1 year

2a	4 weeks
3	168 hours
4	72 hours
5	48 hours
5a	24 hours
6	Mandatory bake before use. After bake, it must be reflowed within the time limit specified on the label.

**NOTES:**

1. If the vacuum package is not open for 6 months or longer than the packing date, baking is also recommended before re-flow soldering.
2. For product handling, storage, processing, IPC / JEDEC J-STD-033 must be followed.

## 6.4 Baking Requirements

Because of its sensitivity to moisture absorption, SIM900 should be baked sufficiently before re-flow soldering. Otherwise SIM900 will be at the risk of permanent damage during re-flow soldering. SIM900 should be baked 192 hours at temperature  $40^{\circ}\text{C} \pm 5^{\circ}\text{C} / -0^{\circ}\text{C}$  and  $<5\%$  RH for low-temperature device containers, or 72 hours at temperature  $80^{\circ}\text{C} \pm 5^{\circ}\text{C}$  for high-temperature device containers. Care should be taken that the plastic tray is not heat resistant, SIM900 modules should be taken out for baking, and otherwise the tray may be damaged by high-temperature during baking.

**Table 30: Baking requirements**

Baking temperature	Moisture	Time
$40^{\circ}\text{C} \pm 5^{\circ}\text{C}$	$<5\%$	192 hours
$120^{\circ}\text{C} \pm 5^{\circ}\text{C}$	$<5\%$	4 hours

# Appendix

## A. Related Documents

**Table 31: Related documents**

SN	Document name	Remark
[1]	SIM900_AT Command Manual	SIM900 AT Command Manual
[2]	AN_SIM900_TCPIP	TCP/IP Applications User Manual
[3]	SIM900_Multiplexer User Manual_Application Note	SIM900 Multiplexer User Manual Application Note
[4]	AN_SIM900 Series_Update Tool_UGD	SIM900 Series Update Tool User Guide
[5]	AN_SIM900_AUDIO	Applications Note About SIM900 Audio
[6]	AN_SIM900_Audio LINE-IN input	Applications Note About SIM900 LINE-IN Input
[7]	SIM900_Embedded AT Application Note	SIM900 Embedded AT Application Note
[8]	AN_Serial Port	Application Note About Serial Port
[9]	AN_SIM900-TE PCB Layout & Schematic for Reference	Application Note About SIM900-TE PCB Layout & Schematic
[10]	Module secondary-SMT-UGD	Module secondary SMT User Guide
[11]	ITU-T Draft new recommendation V.25ter:	Serial asynchronous automatic dialing and control
[12]	GSM 07.07:	Digital cellular telecommunications (Phase 2+); AT command set for GSM Mobile Equipment (ME)
[13]	GSM 07.10:	Support GSM 07.10 multiplexing protocol
[14]	GSM 07.05:	Digital cellular telecommunications (Phase 2+); Use of Data Terminal Equipment – Data Circuit terminating Equipment (DTE – DCE) interface for Short Message Service (SMS) and Cell Broadcast Service (CBS)
[15]	GSM 11.14:	Digital cellular telecommunications system (Phase 2+); Specification of the SIM Application Toolkit for the Subscriber Identity Module – Mobile Equipment (SIM – ME) interface
[16]	GSM 11.11:	Digital cellular telecommunications system (Phase 2+); Specification of the Subscriber Identity Module – Mobile Equipment (SIM – ME) interface
[17]	GSM 03.38:	Digital cellular telecommunications system (Phase 2+); Alphabets and language-specific information
[18]	GSM 11.10	Digital cellular telecommunications system (Phase 2); Mobile Station (MS) conformance specification; Part 1: Conformance specification



## B. Terms and Abbreviations







**Table 32: Terms and Abbreviations**

Abbreviation	Description
ADC	Analog-to-Digital Converter
AMR	Adaptive Multi-Rate
CS	Coding Scheme
CSD	Circuit Switched Data
CTS	Clear to Send
DTE	Data Terminal Equipment (typically computer, terminal, printer)
DTR	Data Terminal Ready
DTX	Discontinuous Transmission
EFR	Enhanced Full Rate
EGSM	Enhanced GSM
ESD	Electrostatic Discharge
ETS	European Telecommunication Standard
FR	Full Rate
GPRS	General Packet Radio Service
GSM	Global Standard for Mobile Communications
HR	Half Rate
IMEI	International Mobile Equipment Identity
Li-ion	Lithium-Ion
MO	Mobile Originated
MS	Mobile Station (GSM engine), also referred to as TE
MT	Mobile Terminated
PAP	Password Authentication Protocol
PBCCH	Packet Broadcast Control Channel
PCB	Printed Circuit Board
PCL	Power Control Level
PCS	Personal Communication System, also referred to as GSM 1900
PDU	Protocol Data Unit
PPP	Point-to-point protocol
RF	Radio Frequency
RMS	Root Mean Square (value)
RTC	Real Time Clock
RX	Receive Direction
SIM	Subscriber Identification Module
SMS	Short Message Service
TE	Terminal Equipment, also referred to as DTE
TX	Transmit Direction
UART	Universal Asynchronous Receiver & Transmitter

URC	Unsolicited Result Code
USSD	Unstructured Supplementary Service Data
<b>Phonebook abbreviations</b>	
FD	SIM fix dialing phonebook
LD	SIM last dialing phonebook (list of numbers most recently dialed)
MC	Mobile Equipment list of unanswered MT calls (missed calls)
ON	SIM (or ME) own numbers (MSISDNs) list
RC	Mobile Equipment list of received calls
SM	SIM phonebook
NC	Not connect

### C. Safety Caution

Table 33: Safety caution

Marks	Requirements
	When in a hospital or other health care facility, observe the restrictions about the use of mobiles. Switch the cellular terminal or mobile off, medical equipment may be sensitive to not operate normally for RF energy interference.
	Switch off the cellular terminal or mobile before boarding an aircraft. Make sure it is switched off. The operation of wireless appliances in an aircraft is forbidden to prevent interference with communication systems. Forget to think much of these instructions may lead to the flight safety or offend against local legal action, or both.
	Do not operate the cellular terminal or mobile in the presence of flammable gases or fumes. Switch off the cellular terminal when you are near petrol stations, fuel depots, chemical plants or where blasting operations are in progress. Operation of any electrical equipment in potentially explosive atmospheres can constitute a safety hazard.
	Your cellular terminal or mobile receives and transmits radio frequency energy while switched on. RF interference can occur if it is used close to TV sets, radios, computers or other electric equipment.
	Road safety comes first! Do not use a hand-held cellular terminal or mobile when driving a vehicle, unless it is securely mounted in a holder for hands free operation. Before making a call with a hand-held terminal or mobile, park the vehicle.
	GSM cellular terminals or mobiles operate over radio frequency signals and cellular networks and cannot be guaranteed to connect in all conditions, for example no mobile fee or a invalid SIM card. While you are in this condition and need emergent help, please remember using emergency calls. In order to make or receive calls, the cellular terminal or mobile must be switched on and in a service area with adequate cellular signal strength. Some networks do not allow for emergency call if certain network services or phone features are in use (e.g. lock functions, fixed dialing etc.). You may have to deactivate those features before you can make an emergency call. Also, some networks require that a valid SIM card be properly inserted in the cellular terminal or mobile.

**Contact us:**

**Shanghai SIMCom Wireless Solutions Ltd.**

Add: SIM Technology Building, No.633, Jinzhong Road, Changning District, Shanghai P.R. China  
200335

Tel: +86 21 3235 3300

Fax: +86 21 3235 3301

URL: [www.sim.com/wm](http://www.sim.com/wm)

SIMCOM CONFIDENTIAL FILE