

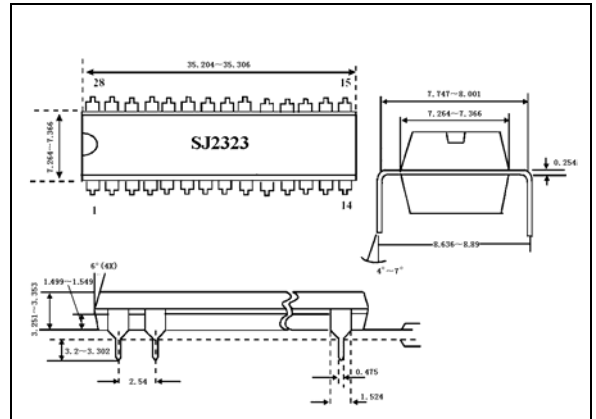


6 Channel Audio Selector SJ2323

DESCRIPTION

SJ2323 is a 6-Channel Audio Selector utilizing CMOS Technology specially designed for Home Theater System. It provides a built-in 2-Channel to 6-Channel Translator, which can directly mix traditional stereo channel to simulate a 6-Channel audio output. Single power supply (9V), I2C Bus Interface as well as very low Total Harmonic Distortion (THD < 0.005%) and other features are incorporated into a single chip thereby providing very high performance. Pin assignments and application circuit are optimized for easy PCB layout and cost saving advantages.

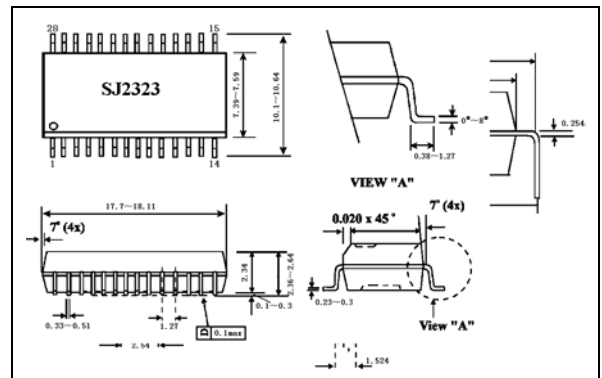
Outline Drawing



FEATURES

- Supply Voltage: 9V
- 4 Stereo Inputs
- One 6-Channel Input
- Maximum Input Voltage: 3.75Vrms (1kHz, THD<1%)
Low Total Harmonic Distortion, THD<0.005% (1kHz, 0.2Vrms)
- Low Noise: No<4μVrms
- I²C Bus Interface

DIP-28



SOP28

APPLICATIONS

- AV System
- Mini Compo
- Car Stereo
- Multi-Media Audio System

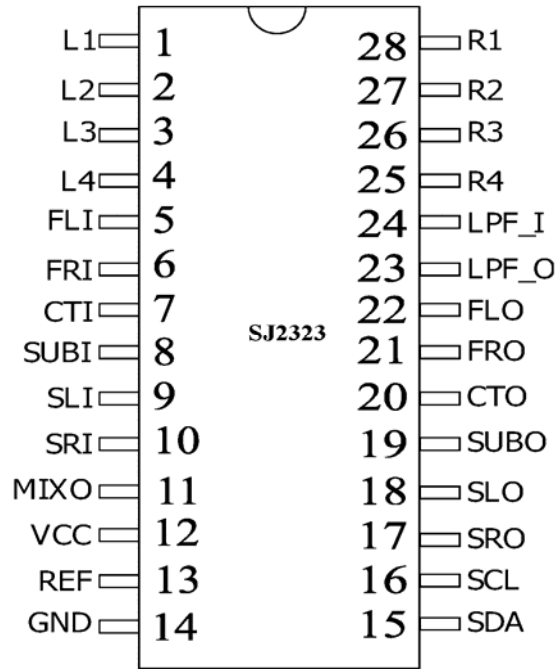
URL: http://www.szsanjing.com

TEL : 0755-29663136

FAX : 0755-29663137



PIN CONFIGURATION



ABSOLUTE MAXIMUM RATINGS (Ta=25°C)

Characteristic	Symbol	Value	Unit
Operating Supply Voltage	Vs	12	V
Operating Temperature	Topr	-40~+85	°C
Storage Temperature	Tstg	-55~+150	°C

ELECTRICAL CHARACTERISTICS

(Unless otherwise specified: Ta=25°C, Vcc=9.0V, RL=100KΩ, f=1KHz)

Characteristics	Symbol	Test conditions	Min	Typ	Max	Unit
Supply Voltage	Vcc		4.5	9		V
Supply Current	Is			4		mA
Total Harmonic Distortion	THD	INPUT=0.2Vrms A-weighting	0.001	0.005		%
Noise Output	No	Ris=600Ω A-Weighting		6		μA
Signal to noise Ratio	S/N	0dB=1Vrms A-Weighting		100	104	dB
Max. Input Voltage	VIMAX	RL=50KΩ,1KHz THD=1%		3.75		Vrms
Voltage Gain	GN	f=1KHz	-1	0	+1	dB
Cross Talk	CT	Vin=1Vrms		90		dB
Channel Separation	CS	Vin=1Vrms		80		dB
I ² C Input High Level	VIH		0.7VDD			V
I ² C Input Low Level	VIL				0.3VDD	V
I ² C Bus Initial Time	TINIT	CREF=10μf		300		ms

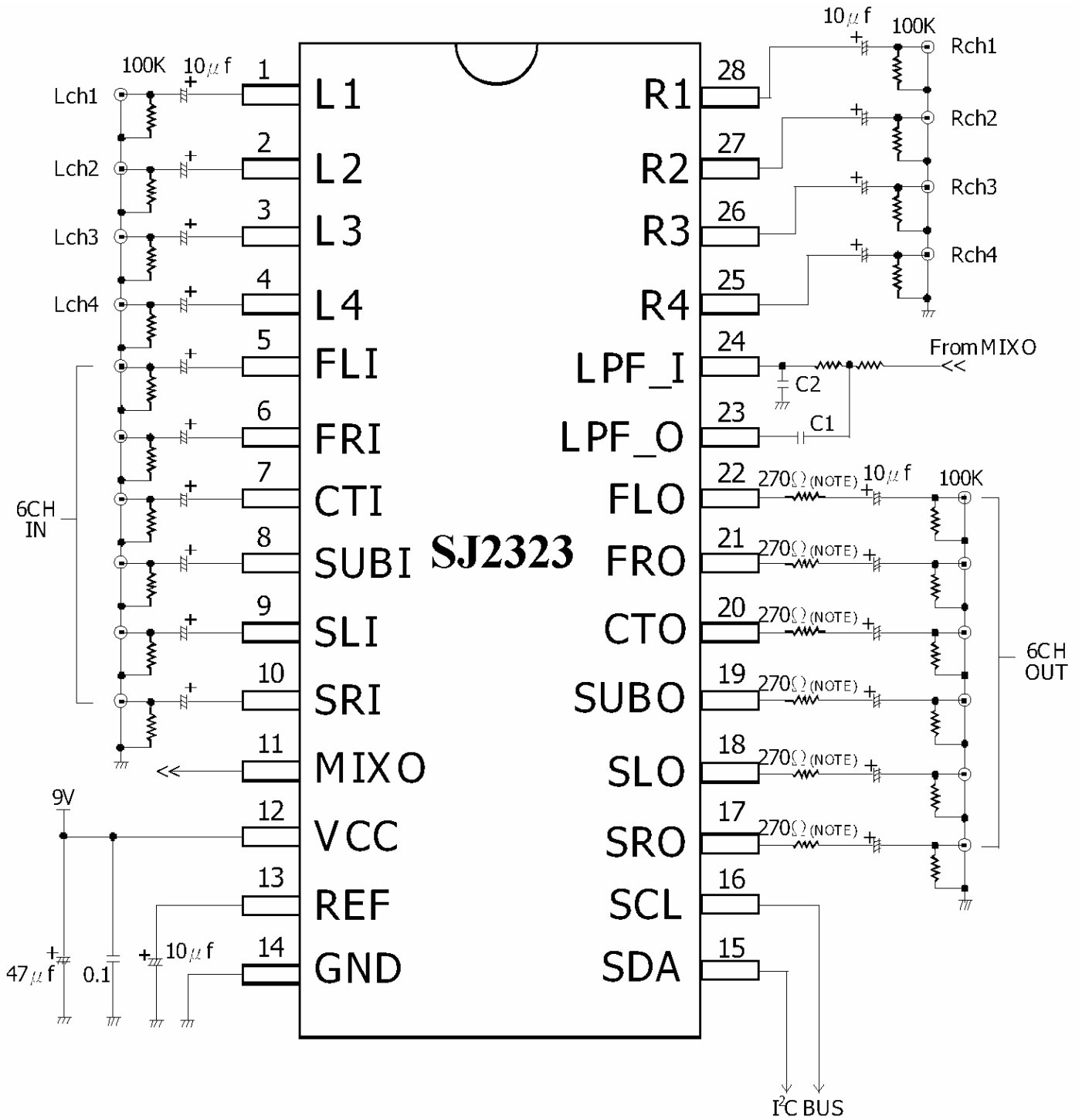
URL: <http://www.szsanjing.com>

TEL : 0755-29663136

FAX : 0755-29663137



APPLICATION CIRCUIT



URL: <http://www.szsanjing.com>

TEL : 0755-29663136

FAX : 0755-29663137