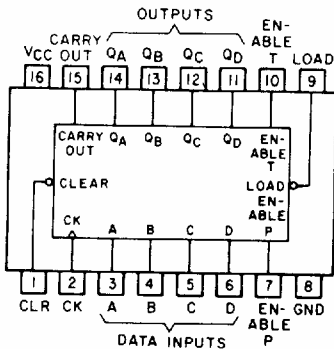
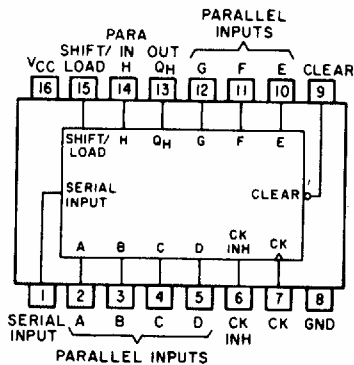




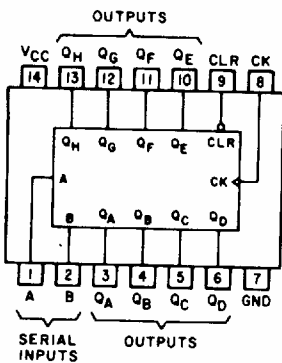
SK74160 SK74161 SK74LS161
SK74162 SK74163 SK74LS163
Synchronous 4-Bit Counters, Decade,
Direct Clear
Outline No. IC-049



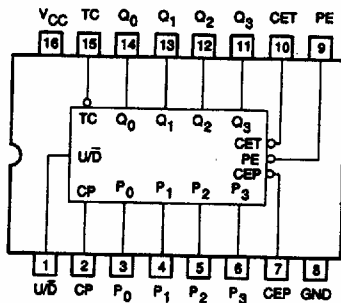
SK74166
8-Bit Shift Registers, Para./Serial In, Serial
Output
Outline No. IC-049



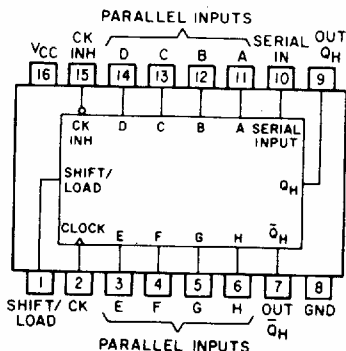
SK74164 SK74LS164
8-Bit Parallel-Output Serial Shift Reg,
Async Clear
Outline No. IC-048



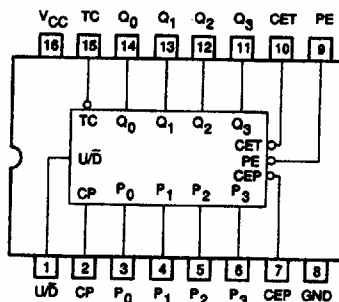
SK74LS168A
16 Binary Syn. Bi-Direct. Counters
Outline No. IC-049



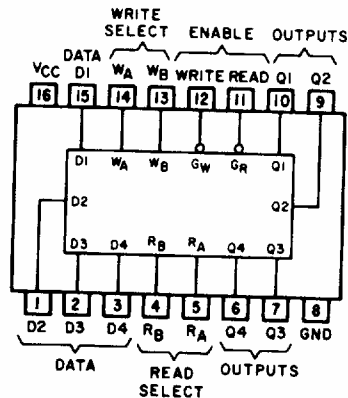
SK74165
Parallel-Load 8-Bit Shift Reg, Complementary
Output
Outline No. IC-049



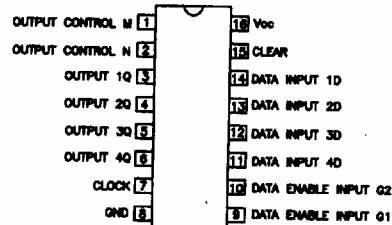
SK74LS169A
4-Bit Up/Down Synchronous Counter
Outline No. IC-049



SK74170
4 x 4 Register Files
Outline No. IC-049



SK74173
IC-TTL 4-Bit D Register with 3-State Output
Outline No. IC-049



SK74174 SK74LS174
SK74S174
Hex D-Type Flip-Flop
Outline No. IC-049

