

产品规格书

Specification of Products

产品名称：三相桥式整流器

产品型号：SKBPC3512 3516

浙江赛菱电子有限公司

ZHEJIANG SAILING ELECTRON CO.,LTD.

厂址：浙江省 缙云县 五东工业区

电话：（0578）3277780 3278788

传真：（0578）3611180

邮编：321400

E-mail:zjlf123@alibaba.com

Http://www.slscr.com.cn

拟制	审核	核准
项海阳	程一凡	洪月飞

版本号：02 更新日期：2010.2.6

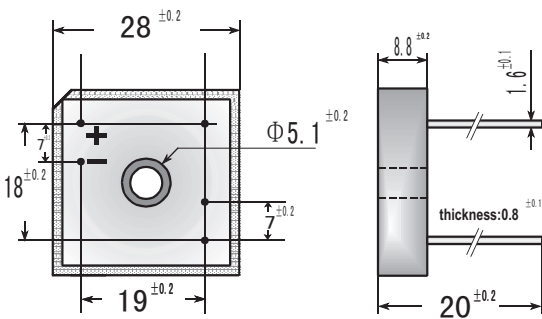
Silicon-Bridge Rectifiers

SKBPC 3512 SKBPC 3516

Product Picture:



TYPE: SKBPC3516 W



Dimensions / Ma in mm

Nominal current 35 A

Alternating input voltage 1200-1600 V

Plastic case with alu-bottom (Index P)

Dimensions 28 x 28 x 8.8 [mm]

Weight approx. 14 g

Standard packaging bulk

Maximum ratings

Grenzwerte

Type	Alternating input volt. V_{VRMS} [V]	Rep. peak reverse voltage V_{RRM} [V]	Surge peak reverse voltage V_{RSM} [V]
SKBPC3512	800	1200	1400
SKBPC3516	1000	1600	1800

Repetitive peak forward current	$f > 15$ Hz	I_{FRM}	84 A
Peak forward surge current, 50Hz half sine-wave	$T_A = 25$ °C	I_{FSM}	233 A
Rating for fusing, $t < 10$ ms	$T_A = 25$ °C	$i^2 t$	272 A ² s
Operating junction temperature		T_j	-40...+150 °C
Storage temperature		T_s	-40...+150 °C

Silicon-Bridge Rectifiers

SKBPC 3512 SKBPC 3516

Characteristics

Kennwerte

Max. current with cooling fin 300 cm ²	T _A =50°C	R-load	I _{FAV}	35.0 A
Forward voltage	T _j =25°C	I _F =11.5A	V _F	< 1.2 V
Leakage current	T _j =25°C	V _R =V _{RRM}	I _R	< 10 μ A
Isolation voltage terminals to case			V _{ISO}	>2500 V
Thermal resistance junction to case			R _{thC}	< 2.0 K/W
Admissible torque for mounting		M 5		2 ± 10 % Nm

