

DATA SHEET

SKY13267-321, SKY13267-321LF

GaAs T/R Diversity Switch LF-6 GHz

Applications

- 802.11a/b/g transmit/receive diversity switch

www.DataSheet4U.com

Features

- Broadband: LF-6 GHz
- Very low insertion loss: 0.8 dB typ. @ 5.2 GHz
- $P_{1\text{ dB}}$: +30 dBm typical @ 3 V
- Low distortion: IP3 44 dBm typical @ 3 V
- Low current consumption: < 15 μA @ 3 V
- Miniature QFN-12 package
- Available lead (Pb)-free and RoHS-compliant MSL-1 @ 260 °C per JEDEC J-STD-020

Description

The SKY13267-321 is a monolithic DPDT switch fabricated using Skyworks proprietary GaAs PHEMTs as the switching elements. This wideband switch operates with RF signals from LF-6 GHz. The RF signal paths within the SKY13267-321 are fully bilateral.

Switching is controlled via two control voltage inputs, which are compatible with CMOS logic levels. Depending upon the logic voltage level applied to the control voltage pins, the Tx input pin is connected to one of two antenna ports (ANT1 or ANT2) via a low insertion loss path, while the path between the Rx pin is connected to the other antenna port. When the control voltages are toggled, the connections between the Tx input and Rx output pins and the antenna ports are toggled as well.

DC power consumption is very low, 15 μA maximum with control voltage of 5 V. The switch can operate over the temperature range of -40 °C to +85 °C.

This part is available in a lead (Pb)-free and RoHS-compliant package as part number SKY13267-321LF.

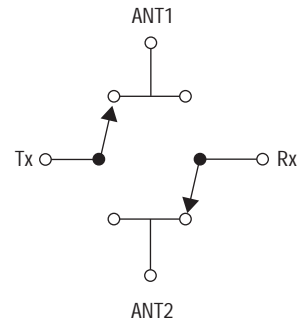
An evaluation board is available upon request.

NEW

Skyworks offers lead (Pb)-free, RoHS (Restriction of Hazardous Substances)-compliant packaging.



Functional Block Diagram



Innovation to Go™

Now available for purchase online.

Electrical Specifications

$V_{CTL} = 0\text{ V}/3\text{V}$, $T = 25\text{ }^\circ\text{C}$, $P_{INPUT} = 0\text{ dBm}$, $Z_0 = 50\text{ }\Omega$, unless otherwise noted

Parameter	Condition	Frequency	Min.	Typ.	Max.	Unit
Insertion loss	ANT1, ANT2 to Tx, Rx ports	2.400–2.500 GHz		0.7	1.0	dB
		5.150–5.350 GHz		0.8	1.1	dB
		5.725–5.825 GHz		0.9	1.2	dB
Isolation	ANT1, ANT2 to Tx, Rx ports	2.400–2.500 GHz	30	32		dB
		5.150–5.350 GHz	23	25		dB
		5.725–5.825 GHz	21	23		dB
	ANT1 to ANT2, Tx to Rx ports	2.400–2.500 GHz		23		dB
		5.150–5.350 GHz		20		dB
		5.725–5.825 GHz		20		dB
Return loss	ANT1, ANT2 to Tx, Rx ports	2.400–2.500 GHz		22		dB
		5.150–5.350 GHz		19		dB
		5.725–5.825 GHz		17		dB

Operating Characteristics

$V_{CTL} = 0\text{ V}/3\text{V}$, $T = 25\text{ }^\circ\text{C}$, $P_{INPUT} = 0\text{ dBm}$, $Z_0 = 50\text{ }\Omega$, unless otherwise noted

Parameter	Condition	Frequency	Min.	Typ.	Max.	Unit
Switching characteristics						
Rise, fall	10/90% or 90/10% RF			20		ns
On, off	50% V_{CTL} to 90/10% RF			40		ns
Video feedthru	$T_{RISE} = 1\text{ ns}$, $BW = 500\text{ MHz}$			50		mV
Error vector magnitude	802.11a, OFDM, 64 QAM, 54 MBPS, $P_{IN} \leq 27\text{ dBm}$	5.8 GHz		≤ 1		%
Input third order intermodulation intercept	For two input tones. 15 dBm each tone, 5 MHz spacing, $V_{HIGH} = 3\text{ V}$	2.4 GHz		49		dBm
		5.2 GHz		44		dBm
Thermal resistance				25		$^\circ\text{C}/\text{W}$
Control voltage	$V_{LOW} = 0\text{ V}$ @ 10 μA max. $V_{HIGH} = 3\text{ V}$ to 5 V @ 15 μA max.					

Absolute Maximum Ratings

Characteristic	Value
Control voltage range	$-0.2 \leq V_C \leq 8\text{ V}$
RF input power @ 0/3V	32 dBm
RF input power @ 0/5V	34 dBm
Storage temperature range	$-65\text{ }^\circ\text{C}$ to $+150\text{ }^\circ\text{C}$
Operating temperature range	$-40\text{ }^\circ\text{C}$ to $+85\text{ }^\circ\text{C}$
Electrostatic discharge (ESD) - Human Body Model (HBM)	Class 0

Performance is guaranteed only under the conditions listed in the specifications table and is not guaranteed under the full range(s) described by the Absolute Maximum specifications. Exceeding any of the absolute maximum/minimum specifications may result in permanent damage to the device and will void the warranty.

CAUTION: Although this device is designed to be as robust as possible, ESD (Electrostatic Discharge) can damage this device. This device must be protected at all times from ESD. Static charges may easily produce potentials of several kilovolts on the human body or equipment, which can discharge without detection. Industry-standard ESD precautions must be employed at all times.

Recommended Solder Reflow Profiles

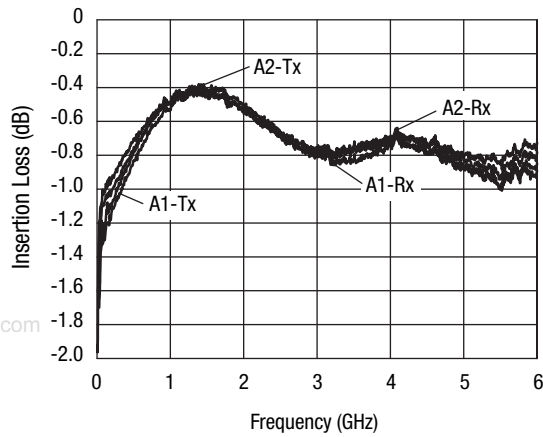
Refer to the [“Recommended Solder Reflow Profile”](#) Application Note.

Tape and Reel Information

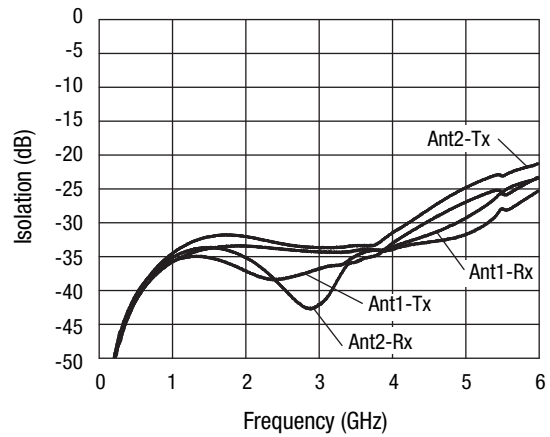
Refer to the [“Discrete Devices and IC Switch/Attenuators Tape and Reel Package Orientation”](#) Application Note.

Typical Performance Data

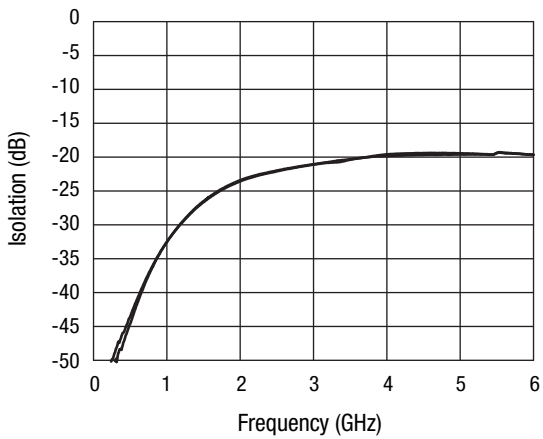
$V_{CTL} = 0\text{ V}/3\text{V}$, $T = 25\text{ }^\circ\text{C}$, $P_{INPUT} = 0\text{ dBm}$, $Z_0 = 50\text{ }\Omega$, unless otherwise noted



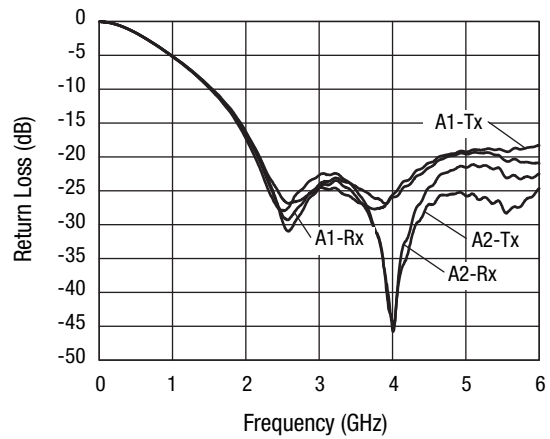
Insertion Loss vs. Frequency



Isolation vs. Frequency

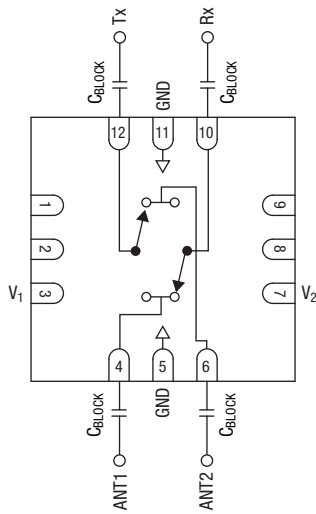


Isolation, Tx - Rx/Ant1 - Ant2 vs. Frequency



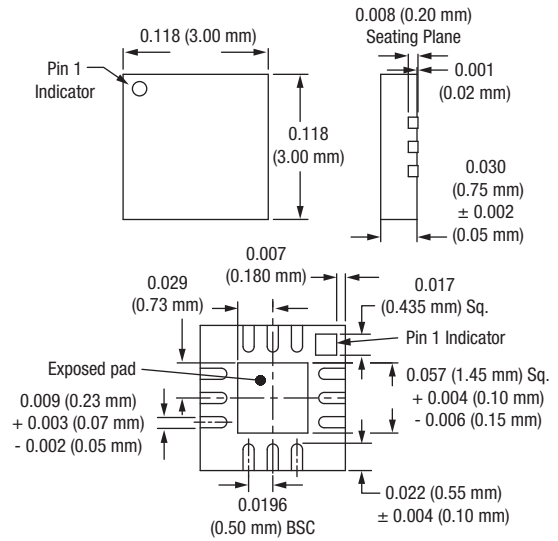
Return Loss vs. Frequency

Pin Out Top View



C_{BLOCK} = 4.7 pF

QFN-12 Package Outline



Truth Table

V ₁	V ₂	Low Insertion Loss Paths
V _{LOW}	V _{HIGH}	ANT1 - Tx, ANT2 - Rx
V _{HIGH}	V _{LOW}	ANT2 - Tx, ANT1 - Rx
V _{LOW}	V _{LOW}	Not allowed
V _{HIGH}	V _{HIGH}	Not allowed

V_{LOW} = 0 V to 0.2 V.
V_{HIGH} = 3 V to 5 V.

Pin Descriptions

Pin Number	Pin Name	Description
1, 2, 8, 9		Not connected
3	V ₁	Control voltage 1 – Control voltage input #1. The logic level voltage applied to this pin, along with the level voltage applied to pin 7, determines the states of the RF paths between the Tx, Rx, ANT1 and ANT2 ports
4	ANT1	RF input/output – RF input/output port which is either connected via a low insertion loss path to the Tx or Rx port, according to the logic levels applied to V ₁ and V ₂
6	ANT2	RF input/output – RF input/output port which is either connected via a low insertion loss path to the Tx or Rx port, according to the logic levels applied to V ₁ and V ₂
5, 11	GND	Equipotential point - Internal circuit common, which must be connected to the pcb ground or common via the lowest possible impedance
7	V ₂	Control voltage 2 – Control voltage input #2. The logic level voltage applied to this pin, along with the level voltage applied to pin 3, determines the states of the RF paths between the Tx, Rx, ANT1 and ANT2 ports
10	Rx	RF output – RF output port which is typically connected to the input of a receiver signal path
12	Tx	RF input – RF input port which is typically connected to the output of a transmitter signal path

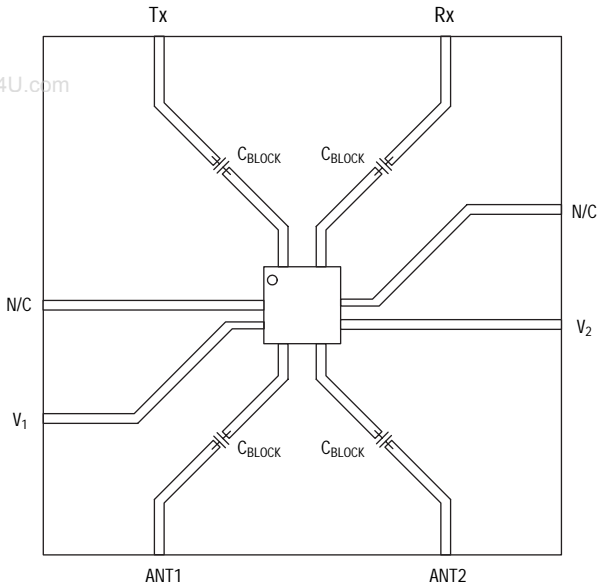
Evaluation Board

The evaluation board for SKY13267-321 allows the part to be fully exercised. Note that blocking capacitors are required on each RF port (Tx, Rx, ANT1 and ANT2).

The state of the SKY13267-321 is controlled by applying the appropriate logic level voltages to ports V₁ and V₂ (see Truth Table in this document).

Evaluation Board Components

Component	Description	Default
C _{BLOCK}	DC blocking capacitor	4.7 pF, size 0402
U1	SKY13267-321 GaAs T/R-diversity switch	
Tx, Rx, ANT1, ANT2	SMA connectors	



Copyright © 2002, 2003, 2004, 2005, Skyworks Solutions, Inc. All Rights Reserved.

Information in this document is provided in connection with Skyworks Solutions, Inc. ("Skyworks") products or services. These materials, including the information contained herein, are provided by Skyworks as a service to its customers and may be used for informational purposes only by the customer. Skyworks assumes no responsibility for errors or omissions in these materials or the information contained herein. Skyworks may change its documentation, products, services, specifications or product descriptions at any time, without notice. Skyworks makes no commitment to update the materials or information and shall have no responsibility whatsoever for conflicts, incompatibilities, or other difficulties arising from any future changes.

No license, whether express, implied, by estoppel or otherwise, is granted to any intellectual property rights by this document. Skyworks assumes no liability for any materials, products or information provided hereunder, including the sale, distribution, reproduction or use of Skyworks products, information or materials, except as may be provided in Skyworks Terms and Conditions of Sale.

THE MATERIALS, PRODUCTS AND INFORMATION ARE PROVIDED "AS IS" WITHOUT WARRANTY OF ANY KIND, WHETHER EXPRESS, IMPLIED, STATUTORY, OR OTHERWISE, INCLUDING FITNESS FOR A PARTICULAR PURPOSE OR USE, MERCHANTABILITY, PERFORMANCE, QUALITY OR NON-INFRINGEMENT OF ANY INTELLECTUAL PROPERTY RIGHT; ALL SUCH WARRANTIES ARE HEREBY EXPRESSLY DISCLAIMED. SKYWORKS DOES NOT WARRANT THE ACCURACY OR COMPLETENESS OF THE INFORMATION, TEXT, GRAPHICS OR OTHER ITEMS CONTAINED WITHIN THESE MATERIALS. SKYWORKS SHALL NOT BE LIABLE FOR ANY DAMAGES, INCLUDING BUT NOT LIMITED TO ANY SPECIAL, INDIRECT, INCIDENTAL, STATUTORY, OR CONSEQUENTIAL DAMAGES, INCLUDING WITHOUT LIMITATION, LOST REVENUES OR LOST PROFITS THAT MAY RESULT FROM THE USE OF THE MATERIALS OR INFORMATION, WHETHER OR NOT THE RECIPIENT OF MATERIALS HAS BEEN ADVISED OF THE POSSIBILITY OF SUCH DAMAGE.

Skyworks products are not intended for use in medical, lifesaving or life-sustaining applications, or other equipment in which the failure of the Skyworks products could lead to personal injury, death, physical or environmental damage. Skyworks customers using or selling Skyworks products for use in such applications do so at their own risk and agree to fully indemnify Skyworks for any damages resulting from such improper use or sale.

Customers are responsible for their products and applications using Skyworks products, which may deviate from published specifications as a result of design defects, errors, or operation of products outside of published parameters or design specifications. Customers should include design and operating safeguards to minimize these and other risks. Skyworks assumes no liability for applications assistance, customer product design, or damage to any equipment resulting from the use of Skyworks products outside of stated published specifications or parameters.

Skyworks, the Skyworks symbol, "Breakthrough Simplicity" and "Innovation to Go" are trademarks or registered trademarks of Skyworks Solutions, Inc., in the United States and other countries. Third-party brands and names are for identification purposes only, and are the property of their respective owners. Additional information, including relevant terms and conditions, posted at www.skyworksinc.com, are incorporated by reference.