

DATA SHEET

SKY13292-365LF: 4 x 2 Switch Matrix with Tone/Voltage Decoder 250 MHz–2.15 GHz

Applications

- DBS switching applications, cable modems, cable TV

Features

- Broadband: 250 MHz–2.15 GHz
- Tone and voltage or mode control switching
- High isolation: 40 dB typ. @ 900 MHz
- Four RF inputs, two RF outputs
- Low current consumption: 8.5 mA typ. @ 5 V
- Miniature QFN-20 4 x 4 mm package
- Lead (Pb)-free and RoHS-compliant MSL-1 @ 260 °C per JEDEC J-STD-020

Description

The SKY13292-365LF is a four-input to two-output switch in a low-cost QFN-20 4 x 4 mm package. The SKY13292-365LF enables 16 states, directing any of the four inputs to either of the two outputs. Switch states can be selected via tone and voltage signals in conjunction with logic levels applied to mode control inputs. The switch can operate over the temperature range of -40 °C to +85 °C.

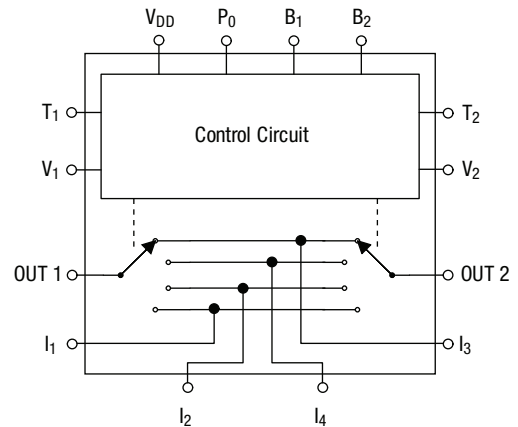
The SKY13292-365LF is available in the lead (Pb)-free, RoHS-compliant, QFN-20 4 x 4 mm plastic package.

NEW

Skyworks offers lead (Pb)-free, RoHS (Restriction of Hazardous Substances)-compliant packaging.



Functional Block Diagram



Operating Characteristics at 25°C (0, 3 V)

Parameter	Sym.	Condition	Frequency	Min.	Typ.	Max.	Unit
RF Switch Performance							
Insertion loss			0.25 - 0.95 GHz		7.5	8	dB
			0.95 - 2.15 GHz		9.0	10	dB
Insertion loss flatness			0.25 - 0.95 GHz		0.7	1	dB
			0.95 - 2.15 GHz		2.0	3	dB
Isolation		Normalized to insertion loss	0.25 - 0.95 GHz	38	40		dB
			0.95 - 2.15 GHz	28	30		dB
Return loss		I ₁ , I ₂ , I ₃ , I ₄ OUT1, OUT2	0.25 - 2.15 GHz	10	15		dB
				8	10		dB
Input power for 1 dB compression	IP ₁ dB		0.25 - 2.15 GHz		15		dBm
Tone/Voltage Detector Performance							
Polarization select input current	I _{P1} , I _{P2}	V _{P1} = 21 V, V _{P2} = 21 V			200		μA
Polarization select threshold voltage	V _{TP1} , V _{TP2}			14	14.5	15	V
Polarization switching time	T _{SPOL}				0.9		μs
Tone frequency	T _{F1} , T _{F2}			7	22	650	kHz
Tone threshold voltage	T _{T1} , T _{T2}	Without external capacitor	22 kHz	45	170	900	V _{pk-pk}
Tone input impedance	T _{ZIN1} , T _{ZIN2}	Including external 10 nF series capacitor	22 kHz		2		kΩ
Mode Control Performance							
Control input current	I _{DIG}	0 V ≤ V _{CTRL} ≤ V _{DD}			1		μA
Control input low logic level	V _{LOW}			0		1	V
Control input high logic level	V _{HIGH}			V _{DD} - 1	V _{DD}	V _{DD} + 0.5	V
Power Supply							
Supply voltage	V _{DD}			3	5	5.5	V
Supply current	I _{DD}				8.5		mA

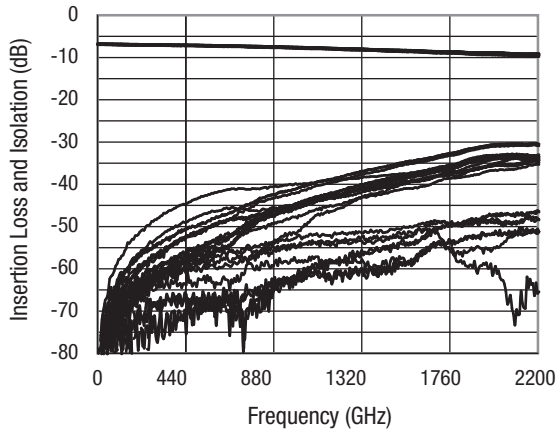
Typical Operating Conditions

Parameter	Sym.	Condition	Frequency	Min.	Typ.	Max.	Unit
Tone frequency	T _{F1} , T _{F2}	V _{TF} = 100 mV _{pk-pk} , 10 nF external DC block		18	22	26	kHz
Tone threshold voltage ⁽¹⁾	T _{T1} , T _{T2}		22 kHz	100	170	350	mV _{pk-pk}

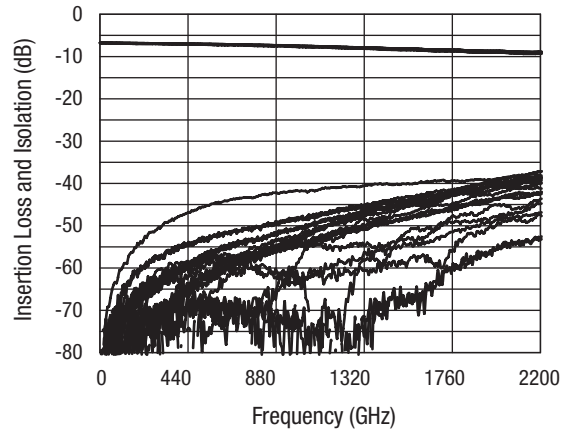
This switch will detect 22 kHz signaling amplitudes across the full specified range of the DiSEqC bus functional specification

Typical Performance Data

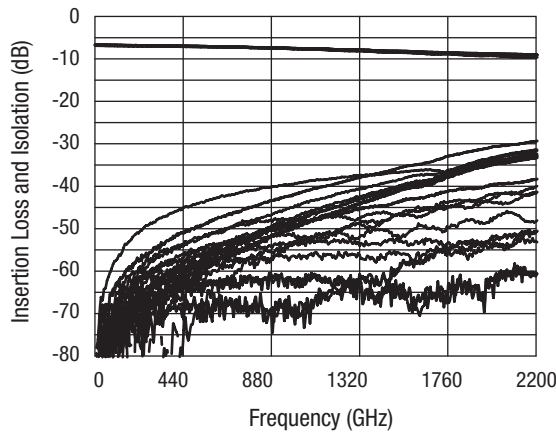
$Z_0 = 50 \Omega$, $T_A = 25 \text{ }^\circ\text{C}$, unless otherwise noted



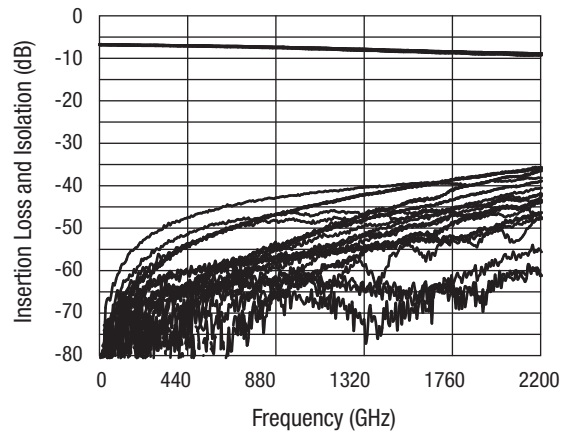
I₁_OUT1 and I₁_OUT2 Paths: States 0 to 15



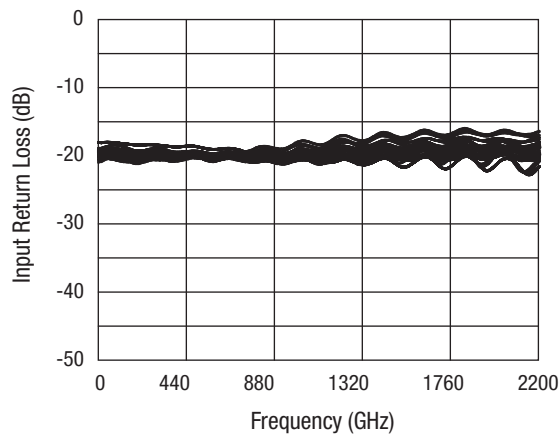
I₂_OUT1 and I₂_OUT2 Paths: States 0 to 15



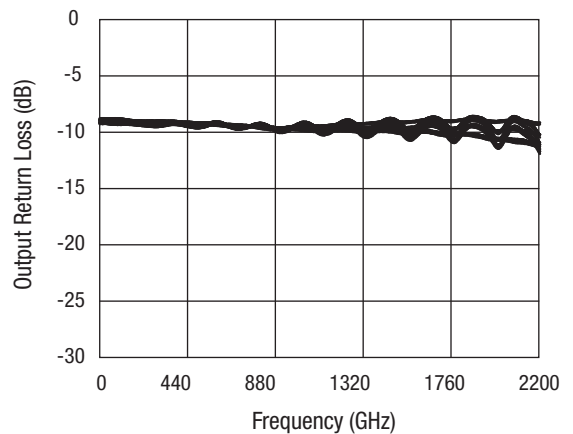
I₃_OUT1 and I₃_OUT2 Paths: States 0 to 15



I₄_OUT1 and I₄_OUT2 Paths: States 0 to 15



I₁ I₂ I₃ I₄: States 0 to 15



OUT1 and I₂_OUT2: States 0 to 15

Absolute Maximum Ratings

Characteristic	Value
RF Input Power	15 dBm
Mode Select Input Voltage	5.5 V
Polarization Control Input Voltage	21 V
Supply voltage	5.5 V
Operating temperature	-40 °C to +85 °C
Storage temperature	-65 °C to +150 °C

CAUTION: Although this device is designed to be as robust as possible, ESD (Electrostatic Discharge) can damage this device. This device must be protected at all times from ESD. Static charges may easily produce potentials of several kilovolts on the human body or equipment, which can discharge without detection. Industry-standard ESD precautions must be employed at all times.

NOTE: Performance is guaranteed only under the conditions listed in the Operating Characteristics and the Typical Operating Conditions tables, and is not guaranteed over the full operating or storage temperature range in the Absolute Maximum Ratings table. Exceeding any of the conditions listed in the Absolute Maximum Ratings table may result in permanent damage to the device. Operation at elevated temperatures may reduce reliability of the device.

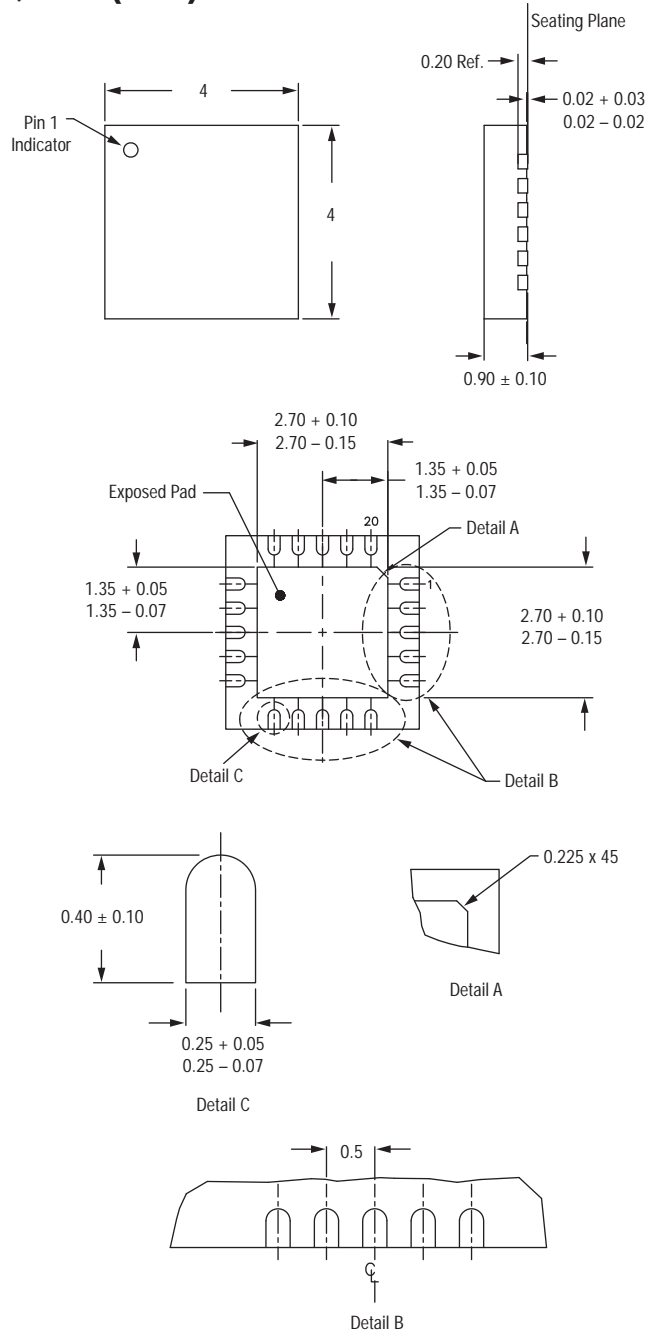
Recommended Solder Reflow Profiles

Refer to the [“Recommended Solder Reflow Profile”](#) Application Note.

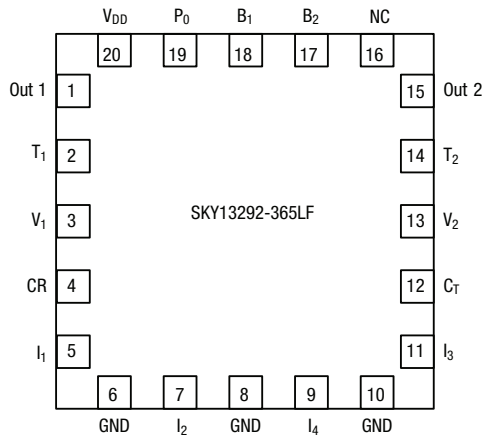
Tape and Reel Information

Refer to the [“Discrete Devices and IC Switch/Attenuators Tape and Reel Package Orientation”](#) Application Note.

QFN-20 (4 x 4)



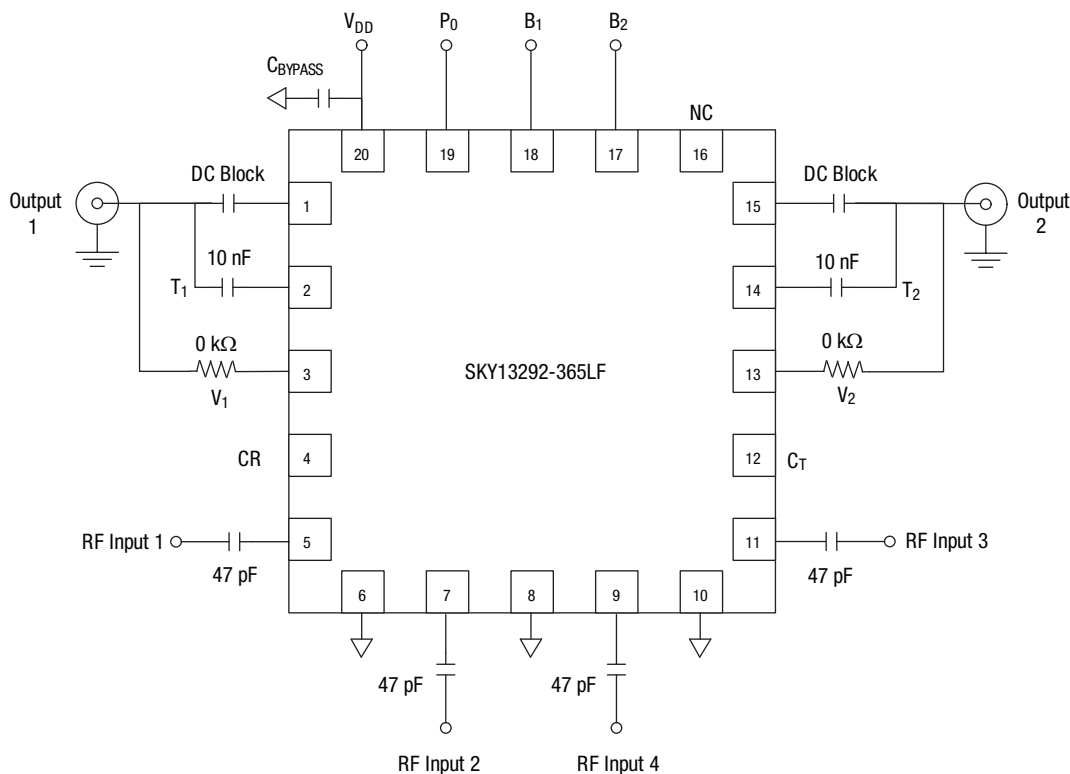
Pin Out



Pin Descriptions

Pin Number	Pin Name	Use		Description
1	OUT1	RF	0	RF channel output #1: 250 MHz–2150 MHz
2	T ₁	AC	I	Tone detector input #1
3	V ₁	DC	I	Voltage detector input #1
4	CR	DC	-	No connection. This pin must be left open.
5	I ₁	RF	I	RF Input #1: 250 MHz–2150 MHz
6, 8, 10	GND	GND	0	RF GND
7	I ₂	RF	I	RF Input #2: 250 MHz–2150 MHz
9	I ₄	RF	I	RF Input #4: 250 MHz–2150 MHz
11	I ₃	RF	I	RF Input #3: 250 MHz–2150 MHz
12	C _T	DC	-	No connection. This pin must be left open.
13	V ₂	DC	I	Voltage detector Input #2
14	T ₂	AC	I	Tone detector input #2
15	OUT2	RF	0	RF channel output #2: 250 MHz–2150 MHz
16	N/C	DC	-	No connection. This pin must be left open.
17	B ₂	DC	I	Mode control input
18	B ₁	DC	I	Mode control input
19	P ₀	DC	I	Mode control input
20	V _{DD}	DC	I	Supply voltage: 5 V
Paddle	GND	RF	-	RF GND

Suggested Applications Circuit



The SKY13292-365LF is controlled by a pair of DC voltage levels, applied to V_1 (pin 3) and V_2 (pin 13), in combination with 22 kHz signal levels applied to T_1 (pin 2) and T_2 (pin 14). These signals are supplied from a set top box, receiver, etc., that is in turn controlled by the user. The configuration of the switch is controlled by the logic levels applied to P_0 (pin 19), B_1 (pin 18) and B_2 (pin 17). The truth tables that describe the function of all of these control signals are elsewhere in this data sheet.

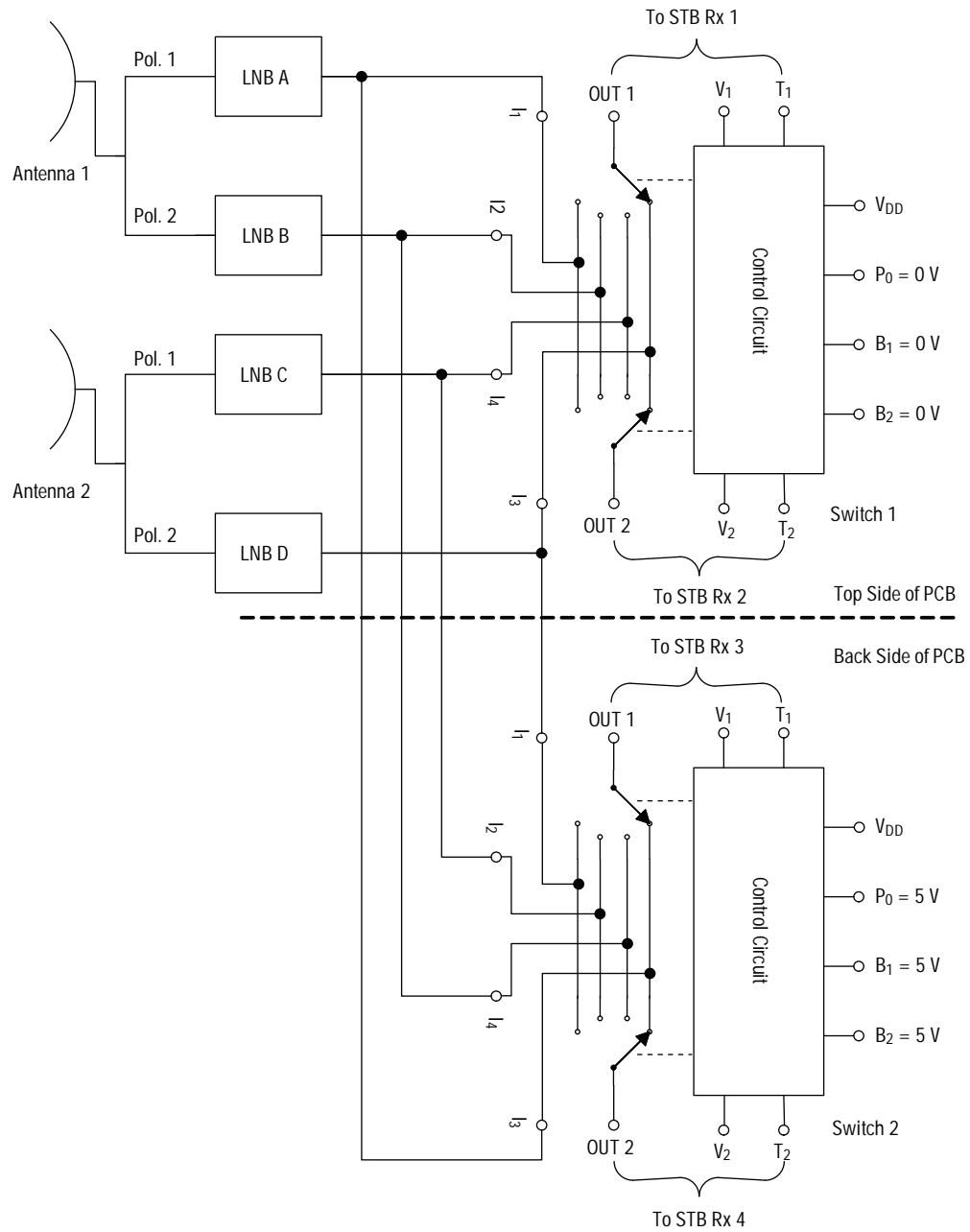
A pair of SKY13292-365LF 4 x 2 switches can be utilized to form a 4 x 4 switch. Figure 2 shows a suggested implementation, in which one of the 4 x 2 switches is mounted on the top side of a printed circuit board, with the second 4 x 2 switch mounted on the back side of the printed circuit board. The four RF input signals, which may come from a variety of sources, but are shown here to come from four separate low noise block converters, are

split and routed directly to the inputs of the top side switch, and through vias to the inputs of the back side switch. With each of the configuration inputs, P_0 , B_1 and B_2 , of the top side switch held at 0 V, and each of the configuration inputs of the back side switch held at 5 V, the same logic controls from each of the 4 receivers will select any specific input signal.

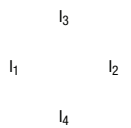
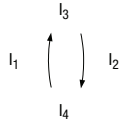
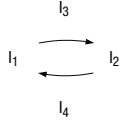
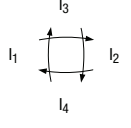
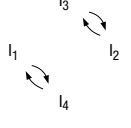
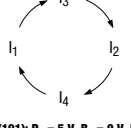
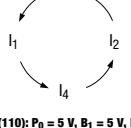
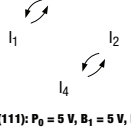
For example, if the user of receiver 1 wishes to receive the signal from antenna 1, polarization 1, through LNB A, that receiver must send a 22 kHz tone and a control voltage greater than the threshold voltage to switch 1. If receiver 3 also wishes to receive the signal from antenna 1, polarization 1, through LNB A, that receiver must also send a 22 kHz tone and a control voltage greater than the threshold voltage to switch 2.

Other logic configurations are possible, as shown in the truth tables in this data sheet.

4 x 4 Switch Utilizing a SKY13292 on Top Side and a Second SKY13292-365LF on the Back Side of a PCB



Truth Table - Mode Controls Summary

	Mode	P ₀	B ₁	B ₂	I ₁ (PIN 5)	I ₂ (PIN 7)	I ₄ (PIN 9)	I ₃ (PIN 11)
 <p>Mode 0 (000): P₀ = 0 V, B₁ = 0 V, B₂ = 0 V (Default Mode)</p>	0	0	0	0	A	B	C	D
 <p>Mode 1 (001): P₀ = 0 V, B₁ = 0 V, B₂ = 5 V</p>	1	0	0	1	A	B	D	C
 <p>Mode 2 (010): P₀ = 0 V, B₁ = 5 V, B₂ = 0 V</p>	2	0	1	0	B	A	C	D
 <p>Mode 3 (011): P₀ = 0 V, B₁ = 5 V, B₂ = 5 V</p>	3	0	1	1	B	A	D	C
 <p>Mode 4 (100): P₀ = 5 V, B₁ = 0 V, B₂ = 0 V</p>	4	1	0	0	C	D	A	B
 <p>Mode 5 (101): P₀ = 5 V, B₁ = 0 V, B₂ = 5 V</p>	5	1	0	1	C	D	B	A
 <p>Mode 6 (110): P₀ = 5 V, B₁ = 5 V, B₂ = 0 V</p>	6	1	1	0	D	C	A	B
 <p>Mode 7 (111): P₀ = 5 V, B₁ = 5 V, B₂ = 5 V</p>	7	1	1	1	D	C	B	A

General Truth Table

State	Tone and Voltage Inputs (see notes)				Signal Paths
	T ₁	V ₁	T ₂	V ₂	
1	No tone	V _{LOW}	No tone	V _{LOW}	D → OUT1, D → OUT2
2	No tone	V _{LOW}	No tone	V _{HIGH}	D → OUT1, B → OUT2
3	No tone	V _{LOW}	22 kHz tone	V _{LOW}	D → OUT1, C → OUT2
4	No tone	V _{LOW}	22 kHz tone	V _{HIGH}	D → OUT1, A → OUT2
5	No tone	V _{HIGH}	No tone	V _{LOW}	B → OUT1, D → OUT2
6	No tone	V _{HIGH}	No tone	V _{HIGH}	B → OUT1, B → OUT2
7	No tone	V _{HIGH}	22 kHz tone	V _{LOW}	B → OUT1, C → OUT2
8	No tone	V _{HIGH}	22 kHz tone	V _{HIGH}	B → OUT1, A → OUT2
9	22 kHz tone	V _{LOW}	No tone	V _{LOW}	C → OUT1, D → OUT2
10	22 kHz tone	V _{LOW}	No tone	V _{HIGH}	C → OUT1, B → OUT2
11	22 kHz tone	V _{LOW}	22 kHz tone	V _{LOW}	C → OUT1, C → OUT2
12	22 kHz tone	V _{LOW}	22 kHz tone	V _{HIGH}	C → OUT1, A → OUT2
13	22 kHz tone	V _{HIGH}	No tone	V _{LOW}	A → OUT1, D → OUT2
14	22 kHz tone	V _{HIGH}	No tone	V _{HIGH}	A → OUT1, B → OUT2
15	22 kHz tone	V _{HIGH}	22 kHz tone	V _{LOW}	A → OUT1, C → OUT2
16	22 kHz tone	V _{HIGH}	22 kHz tone	V _{HIGH}	A → OUT1, A → OUT2

Notes

"No tone": no 22 kHz tone present.

"22 kHz tone": 22 kHz tone present with amplitude greater than 100 mV (pk-pk).

V_{LOW} ≤ 14 V.

V_{HIGH} ≥ 15 V.

Truth Table - Tone and Voltage Controls

Mode 0 (000): P₀ = 0 V, B₁ = 0 V, B₂ = 0 V (Default State)

State	Tone and Voltage Inputs (see notes)				Signal Paths
	T ₁	V ₁	T ₂	V ₂	
1	No tone	V _{LOW}	No tone	V _{LOW}	I ₃ → OUT1, I ₃ → OUT2
2	No tone	V _{LOW}	No tone	V _{HIGH}	I ₃ → OUT1, I ₂ → OUT2
3	No tone	V _{LOW}	22 kHz tone	V _{LOW}	I ₃ → OUT1, I ₄ → OUT2
4	No tone	V _{LOW}	22 kHz tone	V _{HIGH}	I ₃ → OUT1, I ₁ → OUT2
5	No tone	V _{HIGH}	No tone	V _{LOW}	I ₂ → OUT1, I ₃ → OUT2
6	No tone	V _{HIGH}	No tone	V _{HIGH}	I ₂ → OUT1, I ₂ → OUT2
7	No tone	V _{HIGH}	22 kHz tone	V _{LOW}	I ₂ → OUT1, I ₄ → OUT2
8	No tone	V _{HIGH}	22 kHz tone	V _{HIGH}	I ₂ → OUT1, I ₁ → OUT2
9	22 kHz tone	V _{LOW}	No tone	V _{LOW}	I ₄ → OUT1, I ₃ → OUT2
10	22 kHz tone	V _{LOW}	No tone	V _{HIGH}	I ₄ → OUT1, I ₂ → OUT2
11	22 kHz tone	V _{LOW}	22 kHz tone	V _{LOW}	I ₄ → OUT1, I ₄ → OUT2
12	22 kHz tone	V _{LOW}	22 kHz tone	V _{HIGH}	I ₄ → OUT1, I ₁ → OUT2
13	22 kHz tone	V _{HIGH}	No tone	V _{LOW}	I ₁ → OUT1, I ₃ → OUT2
14	22 kHz tone	V _{HIGH}	No tone	V _{HIGH}	I ₁ → OUT1, I ₂ → OUT2
15	22 kHz tone	V _{HIGH}	22 kHz tone	V _{LOW}	I ₁ → OUT1, I ₄ → OUT2
16	22 kHz tone	V _{HIGH}	22 kHz tone	V _{HIGH}	I ₁ → OUT1, I ₁ → OUT2

Mode 1 (001): P₀ = 0 V, B₁ = 0 V, B₂ = 5 V

State	Tone and Voltage Inputs (see notes)				Signal Paths
	T ₁	V ₁	T ₂	V ₂	
1	No tone	V _{LOW}	No tone	V _{LOW}	I ₄ → OUT1, I ₄ → OUT2
2	No tone	V _{LOW}	No tone	V _{HIGH}	I ₄ → OUT1, I ₂ → OUT2
3	No tone	V _{LOW}	22 kHz tone	V _{LOW}	I ₄ → OUT1, I ₃ → OUT2
4	No tone	V _{LOW}	22 kHz tone	V _{HIGH}	I ₄ → OUT1, I ₁ → OUT2
5	No tone	V _{HIGH}	No tone	V _{LOW}	I ₂ → OUT1, I ₄ → OUT2
6	No tone	V _{HIGH}	No tone	V _{HIGH}	I ₂ → OUT1, I ₂ → OUT2
7	No tone	V _{HIGH}	22 kHz tone	V _{LOW}	I ₂ → OUT1, I ₃ → OUT2
8	No tone	V _{HIGH}	22 kHz tone	V _{HIGH}	I ₂ → OUT1, I ₁ → OUT2
9	22 kHz tone	V _{LOW}	No tone	V _{LOW}	I ₃ → OUT1, I ₄ → OUT2
10	22 kHz tone	V _{LOW}	No tone	V _{HIGH}	I ₃ → OUT1, I ₂ → OUT2
11	22 kHz tone	V _{LOW}	22 kHz tone	V _{LOW}	I ₃ → OUT1, I ₃ → OUT2
12	22 kHz tone	V _{LOW}	22 kHz tone	V _{HIGH}	I ₃ → OUT1, I ₁ → OUT2
13	22 kHz tone	V _{HIGH}	No tone	V _{LOW}	I ₁ → OUT1, I ₄ → OUT2
14	22 kHz tone	V _{HIGH}	No tone	V _{HIGH}	I ₁ → OUT1, I ₂ → OUT2
15	22 kHz tone	V _{HIGH}	22 kHz tone	V _{LOW}	I ₁ → OUT1, I ₃ → OUT2
16	22 kHz tone	V _{HIGH}	22 kHz tone	V _{HIGH}	I ₁ → OUT1, I ₁ → OUT2

Notes

"No tone": no 22 kHz tone present.

"22 kHz tone": 22 kHz tone present with amplitude greater than 100 mV (pk-pk).

V_{LOW} ≤ 14 V.

V_{HIGH} ≥ 15 V

Mode 2 (010): $P_0 = 0\text{ V}$, $B_1 = 5\text{ V}$, $B_2 = 0\text{ V}$

State	Tone and Voltage Inputs (see notes)				Signal Paths
	T_1	V_1	T_2	V_2	
1	No tone	V_{LOW}	No tone	V_{LOW}	$I_3 \rightarrow \text{OUT1}$, $I_3 \rightarrow \text{OUT2}$
2	No tone	V_{LOW}	No tone	V_{HIGH}	$I_3 \rightarrow \text{OUT1}$, $I_1 \rightarrow \text{OUT2}$
3	No tone	V_{LOW}	22 kHz tone	V_{LOW}	$I_3 \rightarrow \text{OUT1}$, $I_4 \rightarrow \text{OUT2}$
4	No tone	V_{LOW}	22 kHz tone	V_{HIGH}	$I_3 \rightarrow \text{OUT1}$, $I_2 \rightarrow \text{OUT2}$
5	No tone	V_{HIGH}	No tone	V_{LOW}	$I_1 \rightarrow \text{OUT1}$, $I_3 \rightarrow \text{OUT2}$
6	No tone	V_{HIGH}	No tone	V_{HIGH}	$I_1 \rightarrow \text{OUT1}$, $I_1 \rightarrow \text{OUT2}$
7	No tone	V_{HIGH}	22 kHz tone	V_{LOW}	$I_1 \rightarrow \text{OUT1}$, $I_4 \rightarrow \text{OUT2}$
8	No tone	V_{HIGH}	22 kHz tone	V_{HIGH}	$I_1 \rightarrow \text{OUT1}$, $I_2 \rightarrow \text{OUT2}$
9	22 kHz tone	V_{LOW}	No tone	V_{LOW}	$I_4 \rightarrow \text{OUT1}$, $I_3 \rightarrow \text{OUT2}$
10	22 kHz tone	V_{LOW}	No tone	V_{HIGH}	$I_4 \rightarrow \text{OUT1}$, $I_1 \rightarrow \text{OUT2}$
11	22 kHz tone	V_{LOW}	22 kHz tone	V_{LOW}	$I_4 \rightarrow \text{OUT1}$, $I_4 \rightarrow \text{OUT2}$
12	22 kHz tone	V_{LOW}	22 kHz tone	V_{HIGH}	$I_4 \rightarrow \text{OUT1}$, $I_2 \rightarrow \text{OUT2}$
13	22 kHz tone	V_{HIGH}	No tone	V_{LOW}	$I_2 \rightarrow \text{OUT1}$, $I_3 \rightarrow \text{OUT2}$
14	22 kHz tone	V_{HIGH}	No tone	V_{HIGH}	$I_2 \rightarrow \text{OUT1}$, $I_1 \rightarrow \text{OUT2}$
15	22 kHz tone	V_{HIGH}	22 kHz tone	V_{LOW}	$I_2 \rightarrow \text{OUT1}$, $I_4 \rightarrow \text{OUT2}$
16	22 kHz tone	V_{HIGH}	22 kHz tone	V_{HIGH}	$I_2 \rightarrow \text{OUT1}$, $I_2 \rightarrow \text{OUT2}$

Mode 3 (011): $P_0 = 0\text{ V}$, $B_1 = 5\text{ V}$, $B_2 = 5\text{ V}$

State	Tone and Voltage Inputs (see notes)				Signal Paths
	T_1	V_1	T_2	V_2	
1	No tone	V_{LOW}	No tone	V_{LOW}	$I_4 \rightarrow \text{OUT1}$, $I_4 \rightarrow \text{OUT2}$
2	No tone	V_{LOW}	No tone	V_{HIGH}	$I_4 \rightarrow \text{OUT1}$, $I_1 \rightarrow \text{OUT2}$
3	No tone	V_{LOW}	22 kHz tone	V_{LOW}	$I_4 \rightarrow \text{OUT1}$, $I_3 \rightarrow \text{OUT2}$
4	No tone	V_{LOW}	22 kHz tone	V_{HIGH}	$I_4 \rightarrow \text{OUT1}$, $I_2 \rightarrow \text{OUT2}$
5	No tone	V_{HIGH}	No tone	V_{LOW}	$I_1 \rightarrow \text{OUT1}$, $I_4 \rightarrow \text{OUT2}$
6	No tone	V_{HIGH}	No tone	V_{HIGH}	$I_1 \rightarrow \text{OUT1}$, $I_1 \rightarrow \text{OUT2}$
7	No tone	V_{HIGH}	22 kHz tone	V_{LOW}	$I_1 \rightarrow \text{OUT1}$, $I_3 \rightarrow \text{OUT2}$
8	No tone	V_{HIGH}	22 kHz tone	V_{HIGH}	$I_1 \rightarrow \text{OUT1}$, $I_2 \rightarrow \text{OUT2}$
9	22 kHz tone	V_{LOW}	No tone	V_{LOW}	$I_3 \rightarrow \text{OUT1}$, $I_4 \rightarrow \text{OUT2}$
10	22 kHz tone	V_{LOW}	No tone	V_{HIGH}	$I_3 \rightarrow \text{OUT1}$, $I_1 \rightarrow \text{OUT2}$
11	22 kHz tone	V_{LOW}	22 kHz tone	V_{LOW}	$I_3 \rightarrow \text{OUT1}$, $I_3 \rightarrow \text{OUT2}$
12	22 kHz tone	V_{LOW}	22 kHz tone	V_{HIGH}	$I_3 \rightarrow \text{OUT1}$, $I_2 \rightarrow \text{OUT2}$
13	22 kHz tone	V_{HIGH}	No tone	V_{LOW}	$I_2 \rightarrow \text{OUT1}$, $I_4 \rightarrow \text{OUT2}$
14	22 kHz tone	V_{HIGH}	No tone	V_{HIGH}	$I_2 \rightarrow \text{OUT1}$, $I_1 \rightarrow \text{OUT2}$
15	22 kHz tone	V_{HIGH}	22 kHz tone	V_{LOW}	$I_2 \rightarrow \text{OUT1}$, $I_3 \rightarrow \text{OUT2}$
16	22 kHz tone	V_{HIGH}	22 kHz tone	V_{HIGH}	$I_2 \rightarrow \text{OUT1}$, $I_2 \rightarrow \text{OUT2}$

Notes

"No tone": no 22 kHz tone present.

"22 kHz tone": 22 kHz tone present with amplitude greater than 100 mV (pk-pk).

 $V_{\text{LOW}} \leq 14\text{ V}$. $V_{\text{HIGH}} \geq 15\text{ V}$.

Mode 4 (100): P₀ = 5 V, B₁ = 0 V, B₂ = 0 V

State	Tone and Voltage Inputs (see notes)				Signal Paths
	T ₁	V ₁	T ₂	V ₂	
1	No tone	V _{LOW}	No tone	V _{LOW}	I ₂ → OUT1, I ₂ → OUT2
2	No tone	V _{LOW}	No tone	V _{HIGH}	I ₂ → OUT1, I ₃ → OUT2
3	No tone	V _{LOW}	22 kHz tone	V _{LOW}	I ₂ → OUT1, I ₁ → OUT2
4	No tone	V _{LOW}	22 kHz tone	V _{HIGH}	I ₂ → OUT1, I ₄ → OUT2
5	No tone	V _{HIGH}	No tone	V _{LOW}	I ₃ → OUT1, I ₂ → OUT2
6	No tone	V _{HIGH}	No tone	V _{HIGH}	I ₃ → OUT1, I ₃ → OUT2
7	No tone	V _{HIGH}	22 kHz tone	V _{LOW}	I ₃ → OUT1, I ₁ → OUT2
8	No tone	V _{HIGH}	22 kHz tone	V _{HIGH}	I ₃ → OUT1, I ₄ → OUT2
9	22 kHz tone	V _{LOW}	No tone	V _{LOW}	I ₁ → OUT1, I ₂ → OUT2
10	22 kHz tone	V _{LOW}	No tone	V _{HIGH}	I ₁ → OUT1, I ₃ → OUT2
11	22 kHz tone	V _{LOW}	22 kHz tone	V _{LOW}	I ₁ → OUT1, I ₁ → OUT2
12	22 kHz tone	V _{LOW}	22 kHz tone	V _{HIGH}	I ₁ → OUT1, I ₄ → OUT2
13	22 kHz tone	V _{HIGH}	No tone	V _{LOW}	I ₄ → OUT1, I ₂ → OUT2
14	22 kHz tone	V _{HIGH}	No tone	V _{HIGH}	I ₄ → OUT1, I ₃ → OUT2
15	22 kHz tone	V _{HIGH}	22 kHz tone	V _{LOW}	I ₄ → OUT1, I ₁ → OUT2
16	22 kHz tone	V _{HIGH}	22 kHz tone	V _{HIGH}	I ₄ → OUT1, I ₄ → OUT2

Mode 5 (101): P₀ = 5 V, B₁ = 0 V, B₂ = 5 V

State	Tone and Voltage Inputs (see notes)				Signal Paths
	T ₁	V ₁	T ₂	V ₂	
1	No tone	V _{LOW}	No tone	V _{LOW}	I ₂ → OUT1, I ₂ → OUT2
2	No tone	V _{LOW}	No tone	V _{HIGH}	I ₂ → OUT1, I ₄ → OUT2
3	No tone	V _{LOW}	22 kHz tone	V _{LOW}	I ₂ → OUT1, I ₁ → OUT2
4	No tone	V _{LOW}	22 kHz tone	V _{HIGH}	I ₂ → OUT1, I ₃ → OUT2
5	No tone	V _{HIGH}	No tone	V _{LOW}	I ₄ → OUT1, I ₂ → OUT2
6	No tone	V _{HIGH}	No tone	V _{HIGH}	I ₄ → OUT1, I ₄ → OUT2
7	No tone	V _{HIGH}	22 kHz tone	V _{LOW}	I ₄ → OUT1, I ₁ → OUT2
8	No tone	V _{HIGH}	22 kHz tone	V _{HIGH}	I ₄ → OUT1, I ₃ → OUT2
9	22 kHz tone	V _{LOW}	No tone	V _{LOW}	I ₁ → OUT1, I ₂ → OUT2
10	22 kHz tone	V _{LOW}	No tone	V _{HIGH}	I ₁ → OUT1, I ₄ → OUT2
11	22 kHz tone	V _{LOW}	22 kHz tone	V _{LOW}	I ₁ → OUT1, I ₁ → OUT2
12	22 kHz tone	V _{LOW}	22 kHz tone	V _{HIGH}	I ₁ → OUT1, I ₃ → OUT2
13	22 kHz tone	V _{HIGH}	No tone	V _{LOW}	I ₃ → OUT1, I ₂ → OUT2
14	22 kHz tone	V _{HIGH}	No tone	V _{HIGH}	I ₃ → OUT1, I ₄ → OUT2
15	22 kHz tone	V _{HIGH}	22 kHz tone	V _{LOW}	I ₃ → OUT1, I ₁ → OUT2
16	22 kHz tone	V _{HIGH}	22 kHz tone	V _{HIGH}	I ₃ → OUT1, I ₃ → OUT2

Notes

"No tone": no 22 kHz tone present.

"22 kHz tone": 22 kHz tone present with amplitude greater than 100 mV (pk-pk).

V_{LOW} ≤ 14 V.

V_{HIGH} ≥ 15 V

Mode 6 (110): P₀ = 5 V, B₁ = 5 V, B₂ = 0 V

State	Tone and Voltage Inputs (see notes)				Signal Paths
	T ₁	V ₁	T ₂	V ₂	
1	No tone	V _{LOW}	No tone	V _{LOW}	I ₁ → OUT1, I ₁ → OUT2
2	No tone	V _{LOW}	No tone	V _{HIGH}	I ₁ → OUT1, I ₃ → OUT2
3	No tone	V _{LOW}	22 kHz tone	V _{LOW}	I ₁ → OUT1, I ₂ → OUT2
4	No tone	V _{LOW}	22 kHz tone	V _{HIGH}	I ₁ → OUT1, I ₄ → OUT2
5	No tone	V _{HIGH}	No tone	V _{LOW}	I ₃ → OUT1, I ₁ → OUT2
6	No tone	V _{HIGH}	No tone	V _{HIGH}	I ₃ → OUT1, I ₃ → OUT2
7	No tone	V _{HIGH}	22 kHz tone	V _{LOW}	I ₃ → OUT1, I ₂ → OUT2
8	No tone	V _{HIGH}	22 kHz tone	V _{HIGH}	I ₃ → OUT1, I ₄ → OUT2
9	22 kHz tone	V _{LOW}	No tone	V _{LOW}	I ₂ → OUT1, I ₁ → OUT2
10	22 kHz tone	V _{LOW}	No tone	V _{HIGH}	I ₂ → OUT1, I ₃ → OUT2
11	22 kHz tone	V _{LOW}	22 kHz tone	V _{LOW}	I ₂ → OUT1, I ₂ → OUT2
12	22 kHz tone	V _{LOW}	22 kHz tone	V _{HIGH}	I ₂ → OUT1, I ₄ → OUT2
13	22 kHz tone	V _{HIGH}	No tone	V _{LOW}	I ₄ → OUT1, I ₁ → OUT2
14	22 kHz tone	V _{HIGH}	No tone	V _{HIGH}	I ₄ → OUT1, I ₃ → OUT2
15	22 kHz tone	V _{HIGH}	22 kHz tone	V _{LOW}	I ₄ → OUT1, I ₂ → OUT2
16	22 kHz tone	V _{HIGH}	22 kHz tone	V _{HIGH}	I ₄ → OUT1, I ₄ → OUT2

Mode 7 (111): P₀ = 5 V, B₁ = 5 V, B₂ = 5 V

State	Tone and Voltage Inputs (see notes)				Signal Paths
	T ₁	V ₁	T ₂	V ₂	
1	No tone	V _{LOW}	No tone	V _{LOW}	I ₁ → OUT1, I ₁ → OUT2
2	No tone	V _{LOW}	No tone	V _{HIGH}	I ₁ → OUT1, I ₄ → OUT2
3	No tone	V _{LOW}	22 kHz tone	V _{LOW}	I ₁ → OUT1, I ₂ → OUT2
4	No tone	V _{LOW}	22 kHz tone	V _{HIGH}	I ₁ → OUT1, I ₃ → OUT2
5	No tone	V _{HIGH}	No tone	V _{LOW}	I ₄ → OUT1, I ₁ → OUT2
6	No tone	V _{HIGH}	No tone	V _{HIGH}	I ₄ → OUT1, I ₄ → OUT2
7	No tone	V _{HIGH}	22 kHz tone	V _{LOW}	I ₄ → OUT1, I ₂ → OUT2
8	No tone	V _{HIGH}	22 kHz tone	V _{HIGH}	I ₄ → OUT1, I ₃ → OUT2
9	22 kHz tone	V _{LOW}	No tone	V _{LOW}	I ₂ → OUT1, I ₁ → OUT2
10	22 kHz tone	V _{LOW}	No tone	V _{HIGH}	I ₂ → OUT1, I ₄ → OUT2
11	22 kHz tone	V _{LOW}	22 kHz tone	V _{LOW}	I ₂ → OUT1, I ₂ → OUT2
12	22 kHz tone	V _{LOW}	22 kHz tone	V _{HIGH}	I ₂ → OUT1, I ₃ → OUT2
13	22 kHz tone	V _{HIGH}	No tone	V _{LOW}	I ₃ → OUT1, I ₁ → OUT2
14	22 kHz tone	V _{HIGH}	No tone	V _{HIGH}	I ₃ → OUT1, I ₄ → OUT2
15	22 kHz tone	V _{HIGH}	22 kHz tone	V _{LOW}	I ₃ → OUT1, I ₂ → OUT2
16	22 kHz tone	V _{HIGH}	22 kHz tone	V _{HIGH}	I ₃ → OUT1, I ₃ → OUT2

Notes

"No tone": no 22 kHz tone present.

"22 kHz tone": 22 kHz tone present with amplitude greater than 100 mV (pk-pk).

V_{LOW} ≤ 14 V.V_{HIGH} ≥ 15 V

Copyright © 2002, 2003, 2004, 2005, 2006, 2007, Skyworks Solutions, Inc. All Rights Reserved.

Information in this document is provided in connection with Skyworks Solutions, Inc. ("Skyworks") products or services. These materials, including the information contained herein, are provided by Skyworks as a service to its customers and may be used for informational purposes only by the customer. Skyworks assumes no responsibility for errors or omissions in these materials or the information contained herein. Skyworks may change its documentation, products, services, specifications or product descriptions at any time, without notice. Skyworks makes no commitment to update the materials or information and shall have no responsibility whatsoever for conflicts, incompatibilities, or other difficulties arising from any future changes.

No license, whether express, implied, by estoppel or otherwise, is granted to any intellectual property rights by this document. Skyworks assumes no liability for any materials, products or information provided hereunder, including the sale, distribution, reproduction or use of Skyworks products, information or materials, except as may be provided in Skyworks Terms and Conditions of Sale.

THE MATERIALS, PRODUCTS AND INFORMATION ARE PROVIDED "AS IS" WITHOUT WARRANTY OF ANY KIND, WHETHER EXPRESS, IMPLIED, STATUTORY, OR OTHERWISE, INCLUDING FITNESS FOR A PARTICULAR PURPOSE OR USE, MERCHANTABILITY, PERFORMANCE, QUALITY OR NON-INFRINGEMENT OF ANY INTELLECTUAL PROPERTY RIGHT; ALL SUCH WARRANTIES ARE HEREBY EXPRESSLY DISCLAIMED. SKYWORKS DOES NOT WARRANT THE ACCURACY OR COMPLETENESS OF THE INFORMATION, TEXT, GRAPHICS OR OTHER ITEMS CONTAINED WITHIN THESE MATERIALS. SKYWORKS SHALL NOT BE LIABLE FOR ANY DAMAGES, INCLUDING BUT NOT LIMITED TO ANY SPECIAL, INDIRECT, INCIDENTAL, STATUTORY, OR CONSEQUENTIAL DAMAGES, INCLUDING WITHOUT LIMITATION, LOST REVENUES OR LOST PROFITS THAT MAY RESULT FROM THE USE OF THE MATERIALS OR INFORMATION, WHETHER OR NOT THE RECIPIENT OF MATERIALS HAS BEEN ADVISED OF THE POSSIBILITY OF SUCH DAMAGE.

Skyworks products are not intended for use in medical, lifesaving or life-sustaining applications, or other equipment in which the failure of the Skyworks products could lead to personal injury, death, physical or environmental damage. Skyworks customers using or selling Skyworks products for use in such applications do so at their own risk and agree to fully indemnify Skyworks for any damages resulting from such improper use or sale.

Customers are responsible for their products and applications using Skyworks products, which may deviate from published specifications as a result of design defects, errors, or operation of products outside of published parameters or design specifications. Customers should include design and operating safeguards to minimize these and other risks. Skyworks assumes no liability for applications assistance, customer product design, or damage to any equipment resulting from the use of Skyworks products outside of stated published specifications or parameters.

Skyworks, the Skyworks symbol, and "Breakthrough Simplicity" are trademarks or registered trademarks of Skyworks Solutions, Inc., in the United States and other countries. Third-party brands and names are for identification purposes only, and are the property of their respective owners. Additional information, including relevant terms and conditions, posted at www.skyworksinc.com, are incorporated by reference.