

PRELIMINARY PRODUCT SUMMARY

SKY77331 Power Amplifier Module with Integrated Coupler for Quad-Band GSM / EDGE

Applications

- Quad-band cellular handsets:
 - Class 4 GSM850/900
 - DCS1800
 - PCS1900
 - Class 12 GPRS multi-slot operation
 - EDGE polar modulation

Features

- High efficiency:
 - GSM850, 55% (Peak)
 - GSM900, 55% (Peak)
 - DCS, 52% (Peak)
 - PCS, 52% (Peak)
- Integrated coupler
- Wideband envelope control path
- Input/output matching
- 16-pad MCM
- Small outline
 - 6 x 8 mm
- Low profile
 - 1.2 mm
- Gold-plated, lead-free contacts

Description

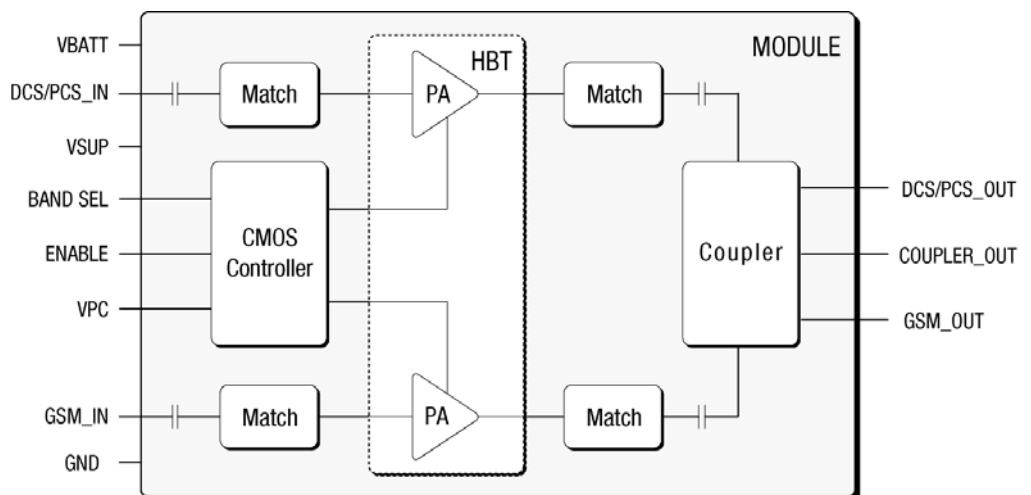
The SKY77331 Power Amplifier Module (PAM) is designed in a compact form factor for quad-band cellular handsets comprising GSM850/900, DCS1800, PCS1900, and supports Class 12 General Packet Radio Service (GPRS) multi-slot operation.

The module consists of a GSM850/900 PA block and a DCS1800/PCS1900 PA block, impedance-matching circuitry for 50 Ω input and output impedances, a Power Amplifier Control (PAC) block, and an Integrated Coupler. A custom CMOS IC provides the internal PAC function and interface circuitry.

Two separate Heterojunction Bipolar Transistor (HBT) PA blocks are fabricated onto InGaP/GaAs die; one supports the GSM850/900 bands, the other supports the DCS1800 and PCS1900 bands. Both PA blocks share common power supply pads to distribute current. The GaAs die, the silicon die, and the passive components are mounted on a multi-layer laminate substrate with the entire assembly encapsulated with plastic overmold.

RF input and output ports are internally matched to 50 Ω to reduce the number of external components for a quad-band design. Extremely low leakage current (10 μ A, maximum) of the dual PA module maximizes handset standby time. The SKY77331 also contains band select switching circuitry to select GSM (logic 0) and DCS/PCS (logic 1) as determined from the Band Select (BS) signal. In the functional block diagram (Figure 1), the BS pad selects the PA output (DCS/PCS_OUT or GSM_OUT) while the Power Control (VPC) controls the level of output power.

The integrated power amplifier control (PAC) function provides envelope amplitude control by reducing sensitivity to input drive, temperature, power supply, and process variation. The Enable input signal (pad 1) allows initial turn-on of the PAC circuitry to minimize battery drain.



200290_001

Figure 1. SKY77331 Functional Block Diagram

© 2005, Skyworks Solutions, Inc. All Rights Reserved.

Information in this document is provided in connection with Skyworks Solutions, Inc. ("Skyworks") products. These materials are provided by Skyworks as a service to its customers and may be used for informational purposes only. Skyworks assumes no responsibility for errors or omissions in these materials. Skyworks may make changes to its products, specifications and product descriptions at any time, without notice. Skyworks makes no commitment to update the information and shall have no responsibility whatsoever for conflicts, incompatibilities, or other difficulties arising from future changes to its products and product descriptions.

No license, express or implied, by estoppel or otherwise, to any intellectual property rights is granted by this document. Except as may be provided in Skyworks' Terms and Conditions of Sale for such products, Skyworks assumes no liability whatsoever.

THESE MATERIALS ARE PROVIDED "AS IS" WITHOUT WARRANTY OF ANY KIND, EITHER EXPRESS OR IMPLIED, RELATING TO SALE AND/OR USE OF SKYWORKS™ PRODUCTS INCLUDING WARRANTIES RELATING TO FITNESS FOR A PARTICULAR PURPOSE, MERCHANTABILITY, PERFORMANCE, QUALITY OR NON-INFRINGEMENT OF ANY PATENT, COPYRIGHT OR OTHER INTELLECTUAL PROPERTY RIGHT. SKYWORKS FURTHER DOES NOT WARRANT THE ACCURACY OR COMPLETENESS OF THE INFORMATION, TEXT, GRAPHICS OR OTHER ITEMS CONTAINED WITHIN THESE MATERIALS. SKYWORKS SHALL NOT BE LIABLE FOR ANY SPECIAL, INDIRECT, INCIDENTAL, OR CONSEQUENTIAL DAMAGES, INCLUDING WITHOUT LIMITATION, LOST REVENUES OR LOST PROFITS THAT MAY RESULT FROM THE USE OF THESE MATERIALS.

Skyworks™ products are not intended for use in medical, lifesaving or life-sustaining applications. Skyworks' customers using or selling Skyworks™ products for use in such applications do so at their own risk and agree to fully indemnify Skyworks for any damages resulting from such improper use or sale.

The following are trademarks of Skyworks Solutions, Inc.: Skyworks™, the Skyworks symbol, and "Breakthrough Simplicity"™. Product names or services listed in this publication are for identification purposes only, and may be trademarks of third parties. Third-party brands and names are the property of their respective owners.

Additional information, posted at www.skyworksinc.com, is 336incorporated by reference.