

## PRODUCT SUMMARY

# SKY85755-11: 5 GHz WLAN Front-End Module

## Applications

- 802.11ax networking and personal computing systems
- PC cards, PCMCIA cards, mini-cards, and half mini-cards
- WLAN-enabled wireless video systems

## Features

- Integrated 802.11ax , 5 GHz PA, LNA with bypass, and T/R switch
- Fully-matched input and output
- Integrated logarithmic power detector and directional coupler
- Transmit gain: 32 dB
- Receive gain: 14 dB
- Output power:
  - MCS11, +18 dBm, –43 dB EVM
  - MCS9, +20.5 dBm, –35 dB EVM
  - MCS7, +22.5 dBm, –30 dB EVM
- Small QFN (16-pin, 3 x 3 mm) package (MSL3, 260 °C per JEDEC J-STD-020)



Skyworks Green™ products are compliant with all applicable legislation and are halogen-free. For additional information, refer to *Skyworks Definition of Green™*, document number SQ04-0074.

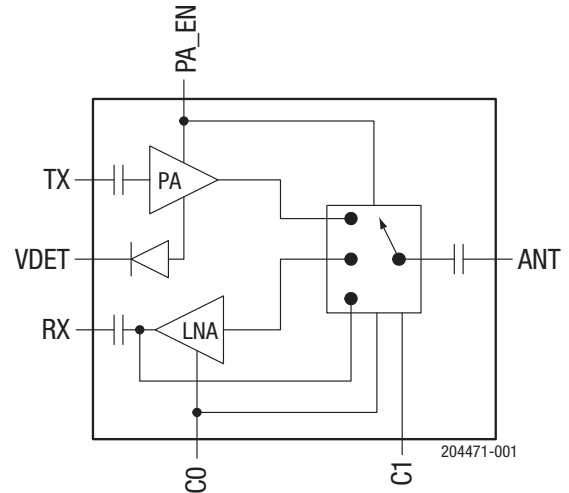


Figure 1. SKY85755-11 Block Diagram

## Description

The SKY85755-11 is a highly integrated, 5 GHz front-end module (FEM) incorporating a 5 GHz single-pole, double-throw (SPDT) transmit/receive (T/R) switch, a 5 GHz low-noise amplifier (LNA) with bypass, and a 5 GHz power amplifier (PA) intended for mobile/portable 802.11ax applications and systems.

An integrated power detector is included to provide closed-loop power control within the system.

The device is provided in a compact, 16-pin 3 x 3 mm Quad Flat No-Lead (QFN) package. A functional block diagram is shown in Figure 1.

## Ordering Information

Model Name	Manufacturing Part Number	Evaluation Board Part Number
SKY85755-11: 5 GHz WLAN Front-End Module	SKY85755-11	SKY85755-11EK1