

字高15mmH 4桁クロック用LED数字表示素子

15mmH 4Digits LED Numeric Displays for Clock

Ta=25°C

外 種 名 Type No.		外 観 結線図 Drawing No.	色 Color		絶対最大定格 Absolute Maximum Ratings					推奨動作電流 IF/seg Recommend.	電氣的・光学的特性 Optoelectric Characteristics					波 長 Peak Wave Length
					IF/seg	IFP/seg	VR/seg	P _D	Topr		VF Typ.	IF	Luminous Typ.	Intensity IF	IR Max (VR=3V) μA	
Com.-Anode	Com.-Cathode	No.	Red	Green	mA	mA	V	W	°C	mA			μcd	mA		
SL-1493T	SL-1494T	L-42	○		15	—	3	1.1	-20~60	5~10	1.9	5	300	10	10	700
*SL-1497T	SL-1498T	L-43	○		—	30	3	1.1	-20~60	10~20	1.9	5	300	20	10	700
*SL-1459L	SL-1450L	L-44	○		15	60	3	1.1	-20~60	5~10	1.9	5	700	5	10	700
SL-2459G	SL-2450G	L-44		○	30	—	3	2.3	-20~60	10~20	2.05	15	1300	15	10	565
SL-1423P	SL-1424P	L-45	○		20	—	3	1.4	-20~60	5~15	1.9	5	200	5	10	700
	SL-2424	L-45		○	30	—	3	2.2	-20~60	10~20	2.05	15	250	15	10	565
SL-1499L	SL-1490L	L-46	○		15	—	3	1.1	-20~60	5~10	1.9	5	1000	10	10	700
SL-2499G	SL-2490G	L-46		○	30	—	3	2.2	-20~60	10~20	2.05	15	1400	15	10	565
SL-1447		L-47	○		15	—	3	1.2	-20~60	5~10	1.9	5	200	5	10	700
SL-2447		L-47		○	30	—	3	2.0	-20~60	10~15	2.05	15	350	15	10	565

*Pulse width=1ms. Duty Ratio 1/4 ※ Duty Ratio 1/2 : duplex drive I_{FP}: I_F Pulsed=Pulsed Forward Current

用 途

- クロック表示 (置時計等)
- 周波数クロック表示 (オーディオ用等)

APPLICATIONS

- Time indication (Clock, etc.)
- Clock Frequency indication (Audio devices, etc.)

L-42 SL-1493T 1494T

920±0.5, 860, 845, 720±0.5, 90, 13.7, 91, 11.3, 13.7, 180, 12±0.5, 4-#22±0.3, 66±0.5 MAX10, 50, 10.9, 25.4±0.3, 2-#165, 254 x 33 = 83.82, PIN NO1, PIN NO34, 180±0.5, (1.78)

NOTE 1 Film Slip Out Tolerance ±0.5

PIN NO	ADDRESS	PIN NO	ADDRESS	PIN NO	ADDRESS
1	Common Cathode	13	Hour A Anode	25	10'S Min E Anode
2	PM Anode	14	" B "	26	" C "
3	AM "	15	" E "	27	Min F "
4	10'S Hour A "	16	" D "	28	" G "
5	" F "	17	" C "	29	" A "
6	" G "	18	Upper Colon "	30	" B "
7	" E "	19	Lower Colon "	31	" E "
8	" D "	20	10'S Min. F "	32	" D "
9	" C "	21	" G "	33	" C "
10	" B "	22	" A "	34	Common Cathode
11	Hour F "	23	" B "		
12	" G "	24	" D "		

Com. Cathode SL-1494

LSI 1493 MM5402(NS)
1494 LM8361, 8363, 8364 *(東三)

L-43 SL-1497T 1498T

920±0.5, 860, 845, 720±0.5, 90, 13.7, 91, 11.3, 13.7, 7.0, 12±0.5, 4-#22±0.3, 66±0.5 MAX10, 50, 10.9, 25.4±0.3, 2-#165, 254 x 29 = 73.66, 30-#1, 19, (1.78)

NOTE 1 Film Slip Out Tolerance ±0.5

PIN NO	ADDRESS	PIN NO	ADDRESS	PIN NO	ADDRESS
1	PM, 10'S Hour A, D Unit Hour D, E, F, G Colon, 10'S Min. A, B, C & Unit Min. D, E, F, G Common Anode	6	10'S Hour B Cathode	16	10'S Min. B, G Cathode
2	10'S Hour B, C, E, G Unit Hour A, B, C, 10'S Min. D, E, F, G Unit Min. A, B, C Common Anode	7	" A G "	17	" C D "
3	AM Common Anode	8	" DE "	18	10'S Min E & Unit Min. E Cathode
4	AM Cathode	9	10'S Hour C & Unit Hour E Cathode	19	Unit B, G Cathode
5	PM Cathode	10	Unit Hour B, G Cathode	20	Unit Min. C, D Cathode
		11	" N C "	21	" A F "
		12	Unit Hour C, D Cathode	22, 23, 24, 25	" N C "
		13	" A F "	27	Sleep Cathode
		14	" N C "	28	Sleep Common Anode
		15	10'S Min. A, F Cathode	30	Colon Cathode

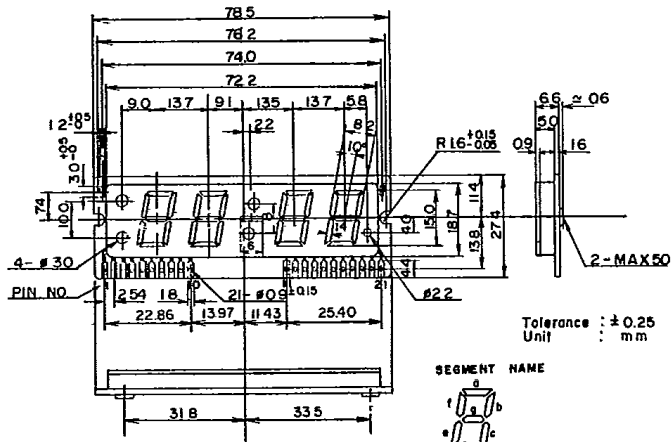
Com. Anode SL-1497

LSI 1497 MM5455(NS)
1498 LM8560 *(東三)

*TOKYO SANYO ELECTRIC CO., LTD.

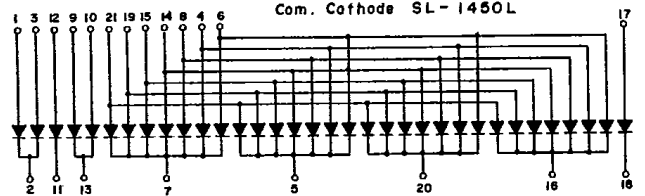
L-44

SL-1459L, 1450L
SL-2459G, 2450G



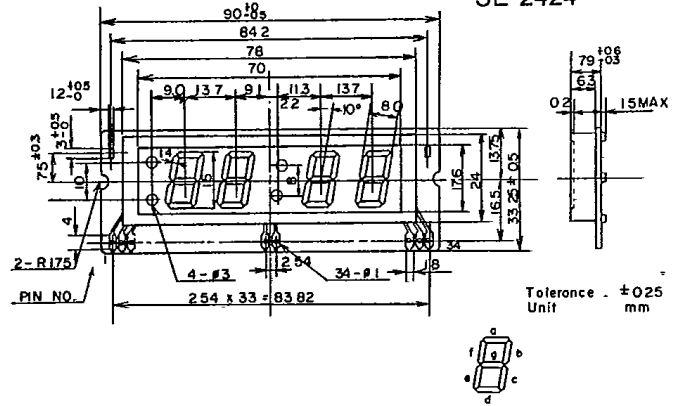
PIN NO	ADDRESS	PIN NO	ADDRESS
1	AM Anode	12	Minus Anode
2	AM, PM Cathode	13	Colon Common Cathode
3	PM Anode	14	d Anode
4	f "	15	c "
5	Unit Hour Common Cathode	16	Unit Minute Common Cathode
6	g Anode	17	Alarm Anode
7	10's Hour Common Cathode	18	Alarm Cathode
8	e Anode	19	b Anode
9	Upper Colon Anode	20	10's Minute Common Cathode
10	Lower "	21	a Anode
11	Minus Cathode		

Com. Cathode SL - 1450L



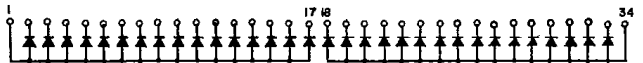
L-45

SL-1423P, 1424P
SL-2424



PIN NO	ADDRESS	PIN NO	ADDRESS	PIN NO	ADDRESS
1	Colon (left) Common Anode	13	Hour A Cathode	25	10's Min E Cathode
2	PM Cathode	14	" B "	26	" C "
3	AM "	15	" E "	27	Minute F "
4	10's Hour A Cathode	16	" D "	28	" G "
5	" F "	17	" C "	29	" A "
6	" G "	18	Upper Colon Cathode	30	" B "
7	" E "	19	Lower Colon Cathode	31	" E "
8	" D "	20	10's Min F Cathode	32	" D "
9	" C "	21	" G "	33	" C "
10	" B "	22	" A "	34	Colon (right) Common Anode
11	Hour F "	23	" B "		
12	" G "	24	" D "		

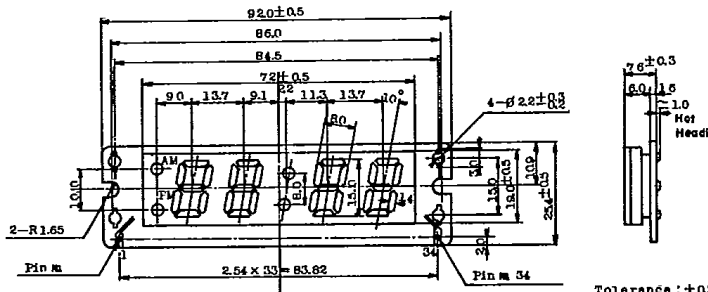
Com. Anode SL - 1423



LSI 1423 : MM-5402
1424 : LM-8361, 8363, 8364 * (東三)
2424 : (LM-8361, 8363, 8364)

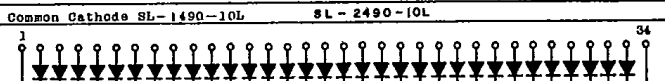
L-46

SL-1499L, 1490L
SL-2499G, 2490G



Segment Name	Type	Fully Displayed Font
a	SL-1490-11L SL-2490-11L	0 1 8 0 8 8
b	SL-1490-14L SL-2490-14L	8 8 0 8 8
c	SL-1490-10L SL-2490-10L	0 8 8 8 8

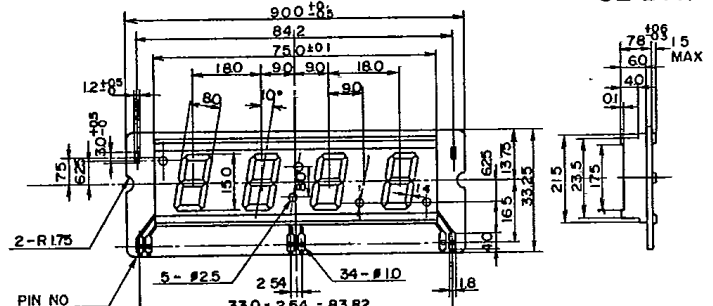
Pin No	Address	Pin No	Address	Pin No	Address
1	Common per All	13	Unit Hour a	25	10's Min. e
2	PM dot	14	" b "	26	" c "
3	AM dot	15	" e "	27	" f "
4	10's Hour a	16	" d "	28	" g "
5	" f "	17	" c "	29	" a "
6	" g "	18	Upper Colon "	30	" b "
7	" e "	19	Lower Colon "	31	" e "
8	" d "	20	10's Min f	32	" d "
9	" c "	21	" g "	33	" c "
10	" b "	22	" a "	34	Common per All
11	Unit Hour f	23	" b "		
12	" g "	24	" d "		



LSI 1499, 2499 : MM-5402
1490, 2490 : LM-8361, 8363, 8364 * (東三)

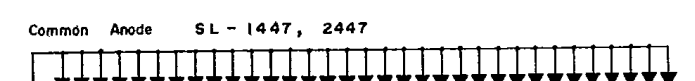
L-47

SL-1447
SL-2447



PIN NO.	ADDRESS	PIN NO.	ADDRESS	PIN NO.	ADDRESS
1	Common Anode	13	Unit Hour d Cathode	25	10's Min b Cathode
2	dp 1	14	" c "	26	Unit Min a "
3	10's Hour a Cathode	15	" g "	27	" f "
4	" f "	16	" b "	28	" e "
5	" e "	17	Lower Colon "	29	" d "
6	" d "	18	Upper Colon "	30	" c "
7	" c "	19	10's Min a Cathode	31	" g "
8	" g "	20	" f "	32	" b "
9	" b "	21	" e "	33	d-p 3
10	Unit Hour a "	22	" d "	34	d-p 2
11	" f "	23	" c "	35	
12	" e "	24	" g "	36	

PIN NO.	ADDRESS	PIN NO.	ADDRESS	PIN NO.	ADDRESS
1	Common per All	13	Unit Hour d Cathode	25	10's Min b Cathode
2	PM dot	14	" c "	26	Unit Min a "
3	AM dot	15	" g "	27	" f "
4	10's Hour a	16	" b "	28	" e "
5	" f "	17	Lower Colon "	29	" d "
6	" g "	18	Upper Colon "	30	" c "
7	" e "	19	10's Min a Cathode	31	" g "
8	" d "	20	" f "	32	" b "
9	" c "	21	" e "	33	d-p 3
10	Unit Hour a "	22	" d "	34	d-p 2
11	" f "	23	" c "	35	
12	" e "	24	" g "	36	



LSI 1447, 2447 : LC7250, 7265 * (東三)

www.DataSheet4U.com

www.DataSheet4U.com