

***THIS DOCUMENT IS FOR MAINTENANCE
PURPOSES ONLY AND IS NOT
RECOMMENDED FOR NEW DESIGNS***

SL1610 & SL1612

RF/IF AMPLIFIER

The SL1610C and SL1612C are RF voltage amplifier with AGC facilities. The voltage gain is 10, 20 and 50 times respectively and the upper frequency response varies from 15MHz to 120MHz according to type .

FEATURES

- Wide AGC Range: 50dB
- Easy Interfacing
- Integral Power Supply RF Decoupling

APPLICATIONS

- RF Amplifiers
- IF Amplifiers

QUICK REFERENCE DATA

- Supply Voltage: 6V
- Voltage Gain: 20dB to 34dB

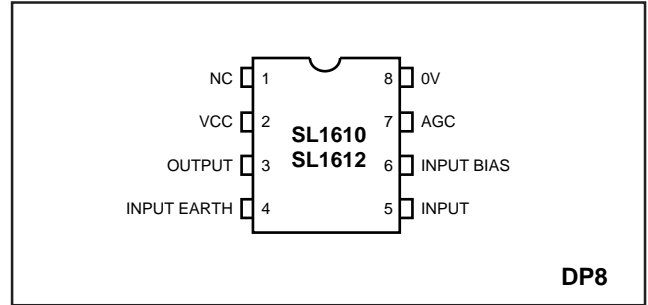


Fig.1 Pin connections (top view)

ABSOLUTE MAXIMUM RATINGS

Supply voltage:	12V
Storage temperature:	-55°C to +150°C
Operating temperature range:	-30°C to +85°C
Chip operating temperature:	+150°C
Thermal Resistance	
Chip-to-ambient	111°C/W
Chip-to-case	71°C/W

ORDERING INFORMATION

SL1610/1/2 C DP

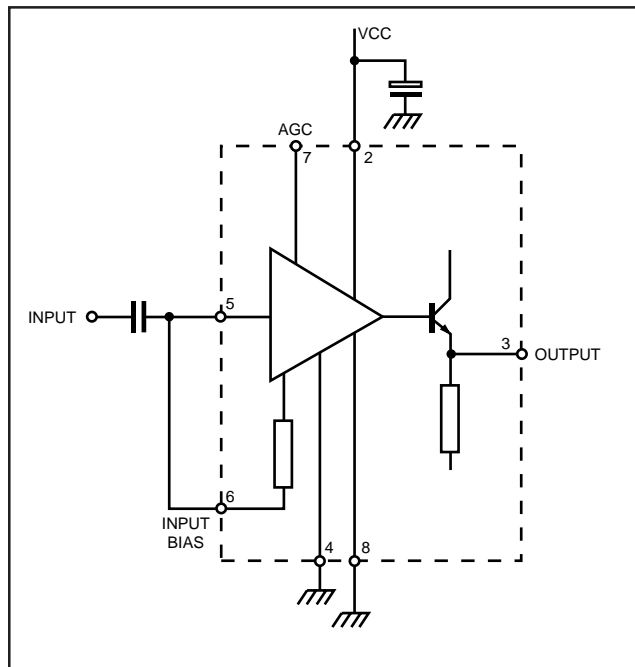


Fig.2 Block diagram

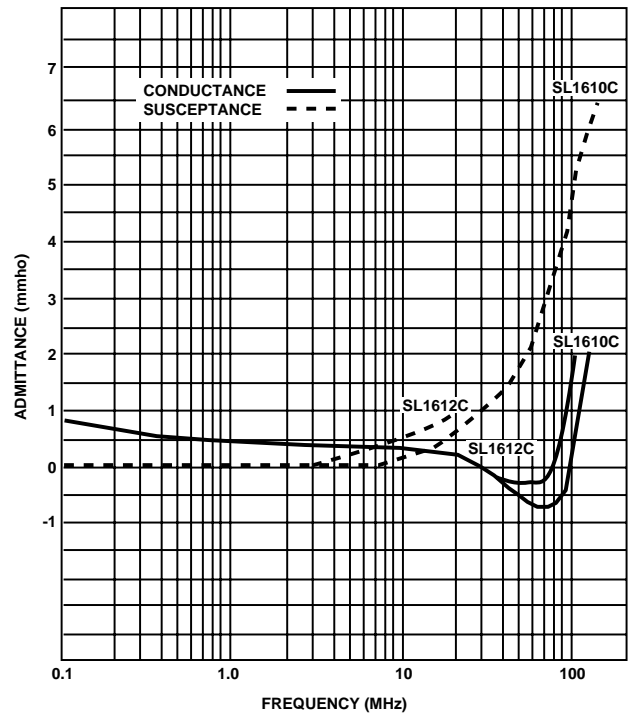


Fig.3 Input admittance with o/c output (G_{11})

SL1610 & SL1612

ELECTRICAL CHARACTERISTICS

The Characteristics are guaranteed over the following test conditions (unless otherwise stated):

Supply voltage VCC: 6V
 Ambient temperature: +25°C
 Test frequency: SL1610C 30MHz
 SL1612C 1.75MHz

Characteristics	Circuit	Value			Units	Conditions
		Min.	Typ.	Max.		
Supply current	SL1610C SL1612C		15 3.3	24 6	mA	No signal, Pin 3 open circuit
Voltage gain	SL1610C SL1612C	17 31	20 34	24 38	dB	$R_s = 50\Omega$ $T_{amb} = 150\Omega$
Cut-off frequency (-3dB)	SL1610C SL1612C		120 15		MHz	
Max. output signal (max. AGC)			1.0		V rms	$R_L = 150\Omega$ (SL1610C/1611C) $R_L = 1.2k\Omega$ (SL1612C)
Max. input signal (max. AGC)			250		mV rms	
AGC range	SL1610C SL1612C	40 60	50 70	0.6	dB	
AGC current			0.15		mA	Current into pin 7 at 5.1V

APPLICATION NOTES

Input circuit

The SL1610C and SL1612C are normally used with pins 5 and 6 connected together and with the input connected via a capacitor as shown in Fig.2.

The input impedance is negative between 30MHz and 100MHz (SL1610C only) and is shown in Fig.3. The source and inductive is should be shunted by a 1kΩ resistor to prevent oscillation.

An alternative circuit with improved noise figure is shown in Fig.4.

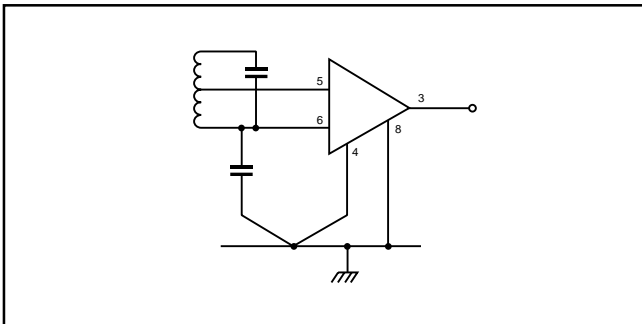


Fig.4 Alternative input circuit

Output circuit

The output stage is an emitter follower and has a negative output impedance at certain frequencies as shown in Fig.5.

To prevent oscillation when the load is capacitive a 47Ω resistor should be connected in series with the output.

AGC

When pin 7 is open circuit or connected to a voltage less than 2V the voltage gain is normal. As the AGC voltage is increased there is a reduction in gain as shown in Fig.6. This reduction varies with temperature.

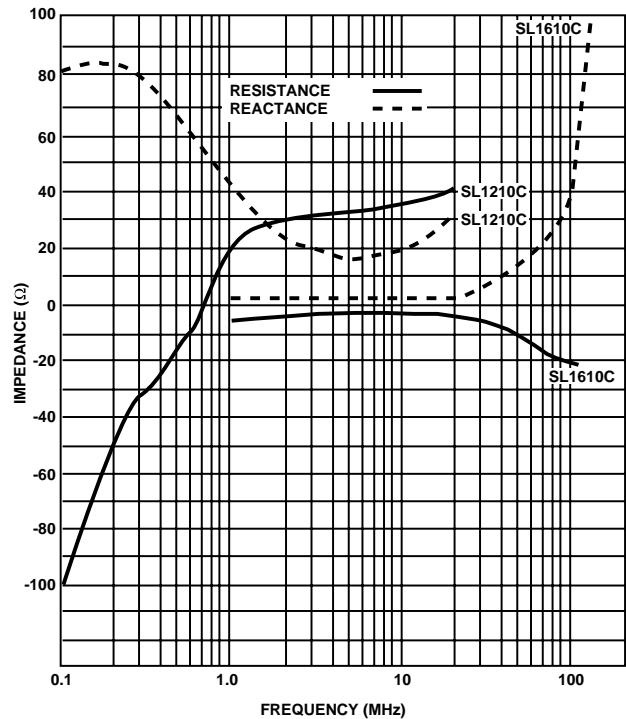


Fig.5 Typical output impedance with s/c input (G22)

Typical applications

The circuit of Fig.7 is a general purpose RF preamplifier. The voltage gain (from pin 5 to pin 3) is shown in Fig.8. Fig.9 is the IF section of a simple SSB transceiver. At 9MHz it has a gain of 100dB.

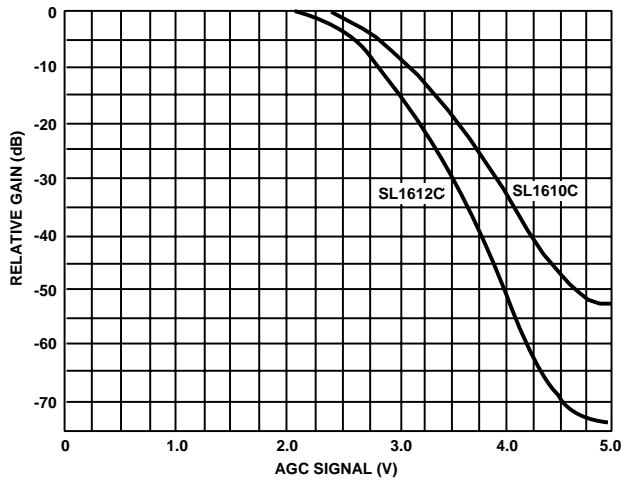


Fig.6 AGC characteristics (typical)

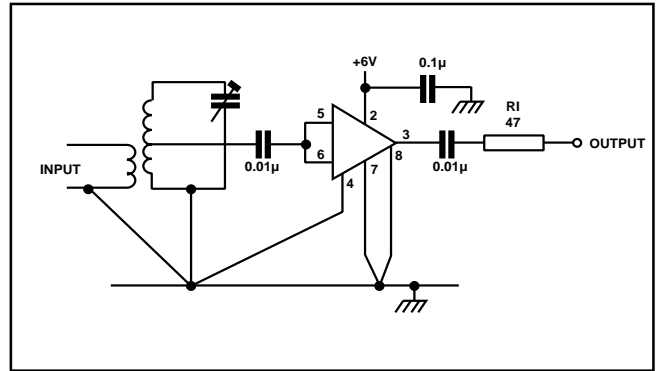


Fig.7 RF preamplifier

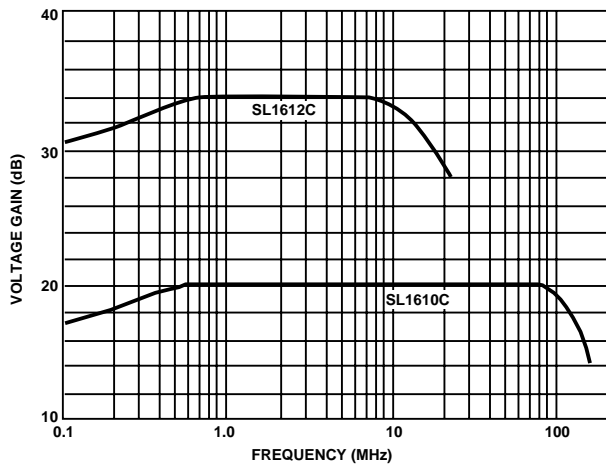


Fig.8 Typical voltage gain (RS = 50Ω)

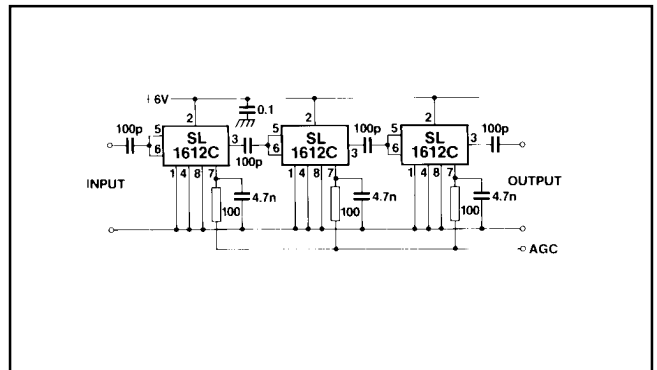


Fig.9 IF amplifier using SL1612



HEADQUARTERS OPERATIONS

GEC PLESSEY SEMICONDUCTORS

Cheney Manor, Swindon,
Wiltshire SN2 2QW, United Kingdom.
Tel: (0793) 518000
Fax: (0793) 518411

GEC PLESSEY SEMICONDUCTORS

P.O. Box 660017
1500 Green Hills Road,
Scotts Valley, California 95067-0017,
United States of America.
Tel: (408) 438 2900
Fax: (408) 438 5576

CUSTOMER SERVICE CENTRES

- **FRANCE & BENELUX** Les Ulis Cedex Tel: (1) 64 46 23 45 Fax : (1) 64 46 06 07
- **GERMANY** Munich Tel: (089) 3609 06-0 Fax : (089) 3609 06-55
- **ITALY** Milan Tel: (02) 66040867 Fax: (02) 66040993
- **JAPAN** Tokyo Tel: (03) 5276-5501 Fax: (03) 5276-5510
- **NORTH AMERICA** Scotts Valley, USA Tel (408) 438 2900 Fax: (408) 438 7023.
- **SOUTH EAST ASIA** Singapore Tel: (65) 3827708 Fax: (65) 3828872
- **SWEDEN** Stockholm Tel: 46 8 702 97 70 Fax: 46 8 640 47 36
- **TAIWAN, ROC** Taipei Tel: 886 2 5461260. Fax: 886 2 7190260
- **UK, EIRE, DENMARK, FINLAND & NORWAY**
Swindon Tel: (0793) 518510 Fax : (0793) 518582

These are supported by Agents and Distributors in major countries world-wide.

© GEC Plessey Semiconductors 1994 Publication No. DS3846 Issue No. 1.0 June 1994
TECHNICAL DOCUMENTATION - NOT FOR RESALE. PRINTED IN UNITED KINGDOM.

This publication is issued to provide information only which (unless agreed by the Company in writing) may not be used, applied or reproduced for any purpose nor form part of any order or contract nor to be regarded as a representation relating to the products or services concerned. No warranty or guarantee express or implied is made regarding the capability, performance or suitability of any product or service. The Company reserves the right to alter without prior knowledge the specification, design or price of any product or service. Information concerning possible methods of use is provided as a guide only and does not constitute any guarantee that such methods of use will be satisfactory in a specific piece of equipment. It is the user's responsibility to fully determine the performance and suitability of any equipment using such information and to ensure that any publication or data used is up to date and has not been superseded. These products are not suitable for use in any medical products whose failure to perform may result in significant injury or death to the user. All products and materials are sold and services provided subject to the Company's conditions of sale, which are available on request.