

字高6mmH 4~5桁LED数字表示素子 6mmH 4~5Digits LED Numeric Displays

機種名 Type No.		外觀 結線図 Drawing No.	色 Color		絶対最大定格 Absolute Maximum Ratings					推奨動作電流 IF/seg Recommend.	電気的光学的特性 Optoelectric Characteristics					波長 Peak Wave Length
					IF/seg	IFP/seg	VR/seg	Pb	Topr		V _f Typ.	IF	Luminous Typ.	Intensity IF	I _r Max (VR=3V) μA	
Com.-Anode	Com.-Cathode		Red	Green	mA	mA	V	W	°C	mA	V	mA	μcd	mA		
SL-1541		L-24	○		15	60	3	0.9	-25~65	5~10	1.9	5	100	5	10	700
SL-2541		L-24		○	20	70	3	1.4	-25~65	10~15	2.05	15	200	15	10	565
	SL-1552	L-25	○		15	60	3	1.3	-25~65	5~10	1.9	5	100	5	10	700
	SL-2552	L-25		○	20	70	3	1.7	-25~65	10~15	2.05	15	200	15	10	565
	SL-1514	L-26	○		15	60	3	1.3	-25~65	5~10	1.9	5	100	5	10	700
	SL-2514	L-26		○	20	70	3	1.7	-25~65	10~15	2.05	15	200	15	10	565
	SL-1582	L-27	○		15	60	3	1.3	-25~65	5~10	1.9	5	100	5	10	700
	SL-2582	L-27		○	20	70	3	1.7	-25~65	10~15	2.05	15	200	15	10	565
	SL-1612F	L-28	○		15	—	3	0.9	-25~65	5~10	1.9	5	100	5	10	700
	SL-2612F	L-28		○	20	—	3	1.0	-25~65	10~15	2.05	15	200	15	10	565
	SL-1752	L-29	○		15	60	3	1.3	-25~65	5~10	1.9	5	100	5	10	700
	SL-2752	L-29		○	20	70	3	1.7	-25~65	10~15	2.05	15	200	15	10	565

※ Pulse width = 1ms. Duty Ratio $\frac{1}{3}$ I_{FP}: I_F Pulse = Pulsed Forward Current

T_a = 25°C

用途

周波数クロック表示 (カーステレオ等)

APPLICATIONS

Clock Frequency indication (Car stereo, etc.)

L-24 SL-1541
SL-2541

Pin NO. 20
P. 2.54 x 12 = 30.48
Pin NO. 1

Tolerance: ±0.25
Unit: mm

PIN NO.	ADDRESS	PIN NO.	ADDRESS
1	AM Cathode	11	D-4 Common Anode
2	FM/AM Common Anode	12	Segment a Cathode
3	(dp2) Cathode	13	Segment g Cathode
4	D-1 Common Anode	14	(dp3) Cathode
5	Segment c Cathode	15	D-2 Common Anode
6	Segment e Cathode	16	Segment f Cathode
7	(dp4) Cathode	17	Segment b Cathode
8	D-3 Common Anode	18	(dp1) Cathode
9	Segment d Cathode	19	D-1 Common Anode
10	(dp5) Cathode	20	FM Cathode

Com. Anode SL-1541, 2541

L-25 SL-1552
SL-2552

Pin No
Pitch 2.0x14=28.0
Tolerance: ±0.25
Unit: mm

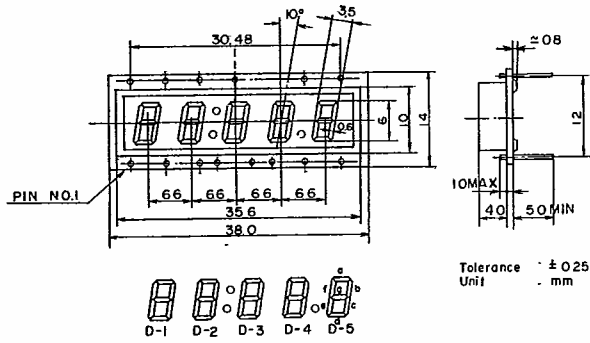
Pin No	Address	Pin No	Address
1	d Anode	9	Colon Anode
2	D ₅ Common Cathode	10	D ₂ Common Cathode
3	c Anode	11	f Anode
4	dp #	12	g #
5	D ₄ Common Cathode	13	Colon Cathode
6	b Anode	14	e Anode
7	a #	15	D ₁ Common Cathode
8	D ₃ Common Cathode		

Com. Cathode SL-1552, 2552

LSI 1552, 2552 : BA618 + P057C(NEC)

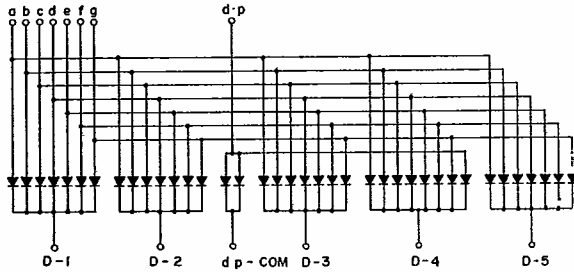
L-26

SL-1514
SL-2514



PIN NO	ADDRESS	PIN NO	ADDRESS
1	a Anode	8	e Anode
2	b "	9	D-5 Cathode
3	dp "	10	D-4 "
4	e "	11	D-3 "
5	g "	12	d-p "
6	d "	13	D-2 "
7	f "	14	D-1 "

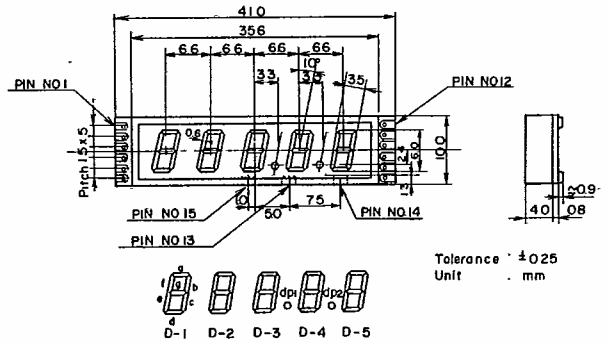
Com. Cathode SL-1514, 2514



LSI 1514, 2514 : MSM 561+APD57C(NEG)

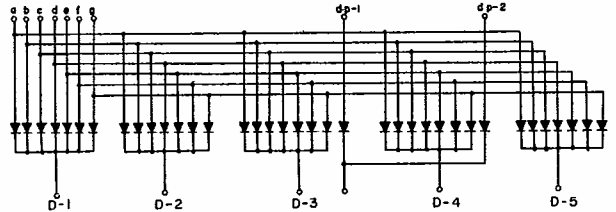
L-27

SL-1582
SL-2582



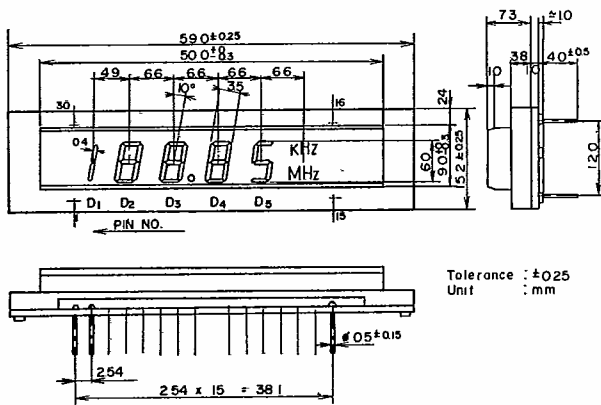
PIN NO	ADDRESS	PIN NO	ADDRESS
1	Segment a Anode	8	Segment b Anode
2	D-1 Common Cathode	9	D-5 Common Cathode
3	Segment f Anode	10	D-4 "
4	" g "	11	D-3 "
5	" c "	12	D-2 "
6	" e "	13	dp 1 Anode
7	" d "	14	dp 2 "
		15	dp Common Cathode

Com. Cathode SL-1582, 2582



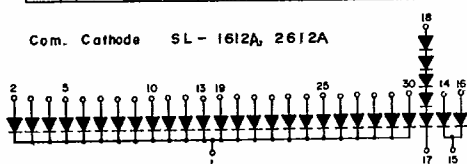
L-28

SL-1612F
SL-2612F



NO	ADDRESS	NO	ADDRESS	NO	ADDRESS
1	Common Cathode	11	D-d Anode	21	D4-f Anode
2	D1-c Anode	12	D4-g "	22	D3-g "
3	D2-e "	13	D4-h "	23	D3-b "
4	D2-d "	14	MHz "	24	D3-a "
5	D2-c "	15	MHz Cathode	25	D3-f "
6	D3-e "	16	KHz Anode	26	D2-g "
7	D3-d "	17	D5 Cathode	27	D2-b "
8	D3-c "	18	D5 Anode	28	D2-a "
9	Dp	19	D4-b "	29	D2-f "
10	D4-e "	20	D4-e "	30	D1-b "

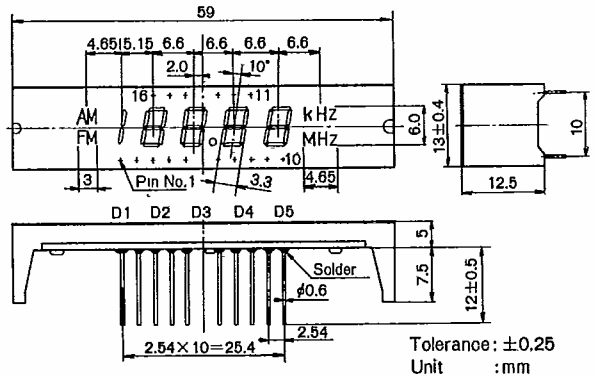
Com. Cathode SL-1612A, 2612A



LSI 1612, 2612 : LC 7257, 7257F *(兼三)

L-29

SL-1752
SL-2752



PIN NO.	ADDRESS	PIN NO.	ADDRESS	PIN NO.	ADDRESS
1	g Anode	7	b Anode	13	D4 Cathode
2	f "	8	a "	14	D3 "
3	e "	9	AM,kHz "	15	D2 "
4	Dp "	10	FM,MHz "	16	D1 "
5	d "	11	AM,FM,kHz,MHz Cathode		
6	c "	12	D5		

