

Features

- Single chip solution for tuner IF gain and AGC
- Contains 34 dB of AGC shared between two AGC stages
- Design optimised for high signal handling with low inter-modulation spurious generation
- I/O ports optimised to interface with standard SAW filters
- ESD protection (Normal ESD handling procedures should be observed)

Applications

- Cable Network interface modules and tuners
- Data communications systems

Description

The SL2009 is a dual IF amplifier intended for application in cable tuners, and integrates all of the IF gain and AGC required to deliver 1Vp-p in a standard tuner configuration.

Ordering Information
 SL2009/KG/NP1T (Tape and Reel)
 SL2009/KG/NP1S (Tubes)

The devices includes two stages of IF gain which are both optimised to interface with inter-stage filters. Both stages contain independent AGC facility, and the first stage contains a level detect for control of the tuner AGC.

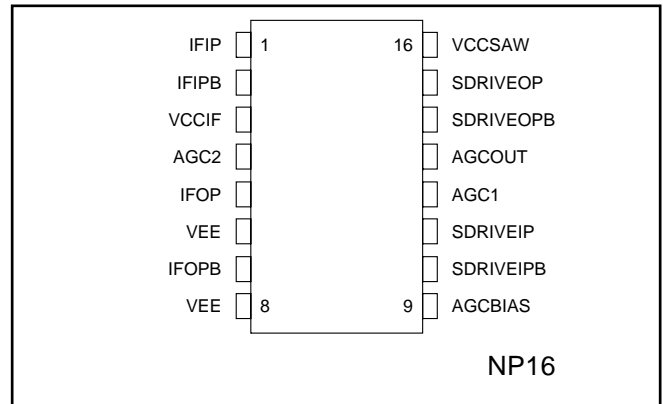


Figure 1 - Pin allocation

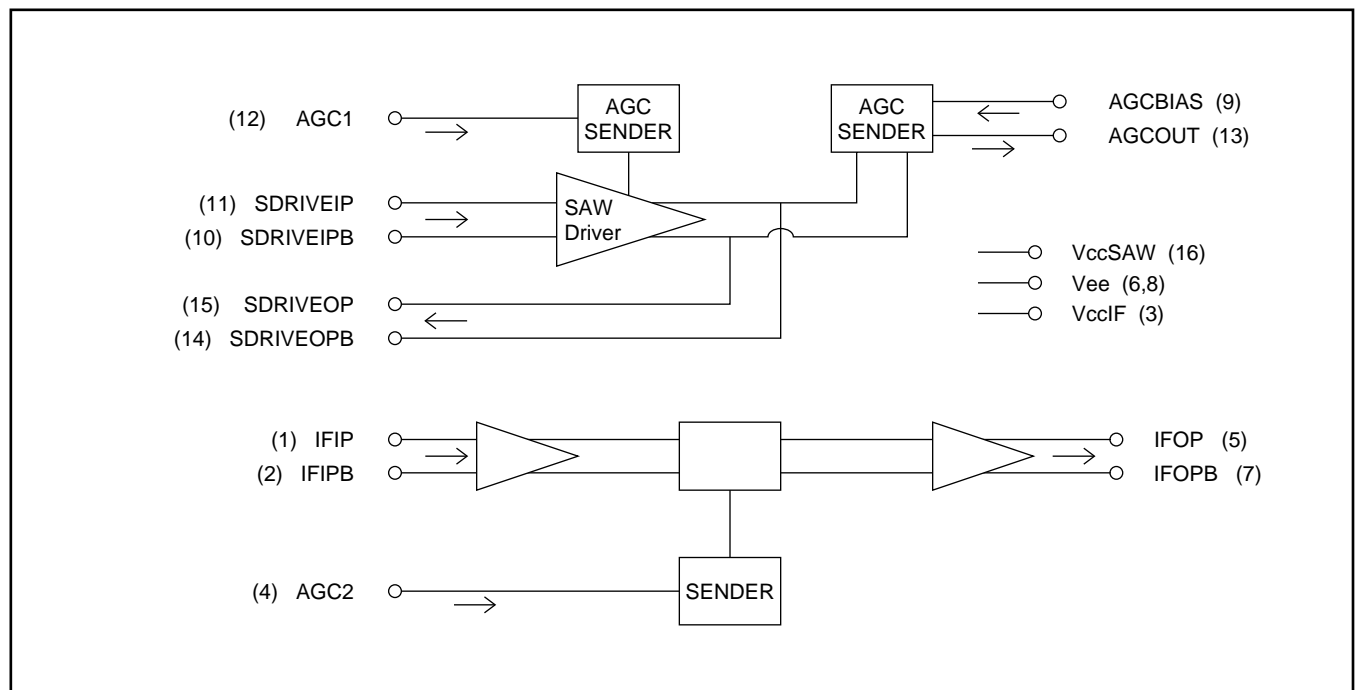


Figure 2 - Block diagram

Characteristics		Units
SAWF driver stage		
Input operating range	30 - 50	MHz
Input NF, referred to 2kΩ	4	dB
OPIP3	4	dBV
Gain	14 - 28	dB
IF Amplifier stage		
Input operating range	30 - 50	MHz
Input NF, referred to 2 kΩ	6	dB
OPIP3	8	dBV
Gain	20 - 40	dB

Table 1 - Quick reference data

Functional Description

The SL2009 is an IF amplifier intended primarily for application in cable tuners, and requiring a minimum external component count to integrate the IF gain, AGC facility and level detect.

The pin allocation is contained in figure (1) and the block diagram in figure (2)

SAWF driver stage

In normal application the IF output of the tuner, which is typically in the region of 30-50 MHz, is interfaced to input preamplifier of the SAWF driver stage, which is optimised for both signal handling and NF referred to 2 kΩ.

The input preamplifier interfaces with the variable gain stage, which is under control of the first AGC sender and provides for 14 dB of gain control. The typical gain characteristic is contained in figure (3).

The AGC stage then interfaces with the output buffer amplifier, which presents a balanced 50 Ω drive to the IF SAW filter and offers high signal handling to minimise intermodulation distortions.

The SAWF amplifier also incorporates a level detect block whose output AGCOUT, can be used to control the gain of the SAWF amplifier or other gain stages in front of the SL2009. This AGC characteristic can be set up by a "current set" resistor connected between the AGCBIAS input and Vee. The typical characteristic curve for AGC set, output level under

different AGCBIAS conditions is contained in figure (4).

See figures (5) and (6) for SAW amplifier input and output impedances respectively.

IF amplifier section

In normal application the output of the SAW filter is coupled differentially to the input preamplifier of the IF amplifier, which presents a differential 2 kΩ 3 pF load to the SAW filter and is optimised for both signal handling and NF. See figure (8) for IF amplifier input impedance.

The input preamplifier, then interfaces with the variable gain stage which is under control of the second AGC sender and this provides for 20 dB of gain control. The typical AGC characteristic is contained in figure (7)

The AGC output is then connected to the output driver stage, which presents a low differential output impedance, see figure (9) and is optimised for output signal handling.

The typical key performance data at 5V Vcc and 25 deg C ambient are shown in the table entitled 'QUICK REFERENCE DATA'.

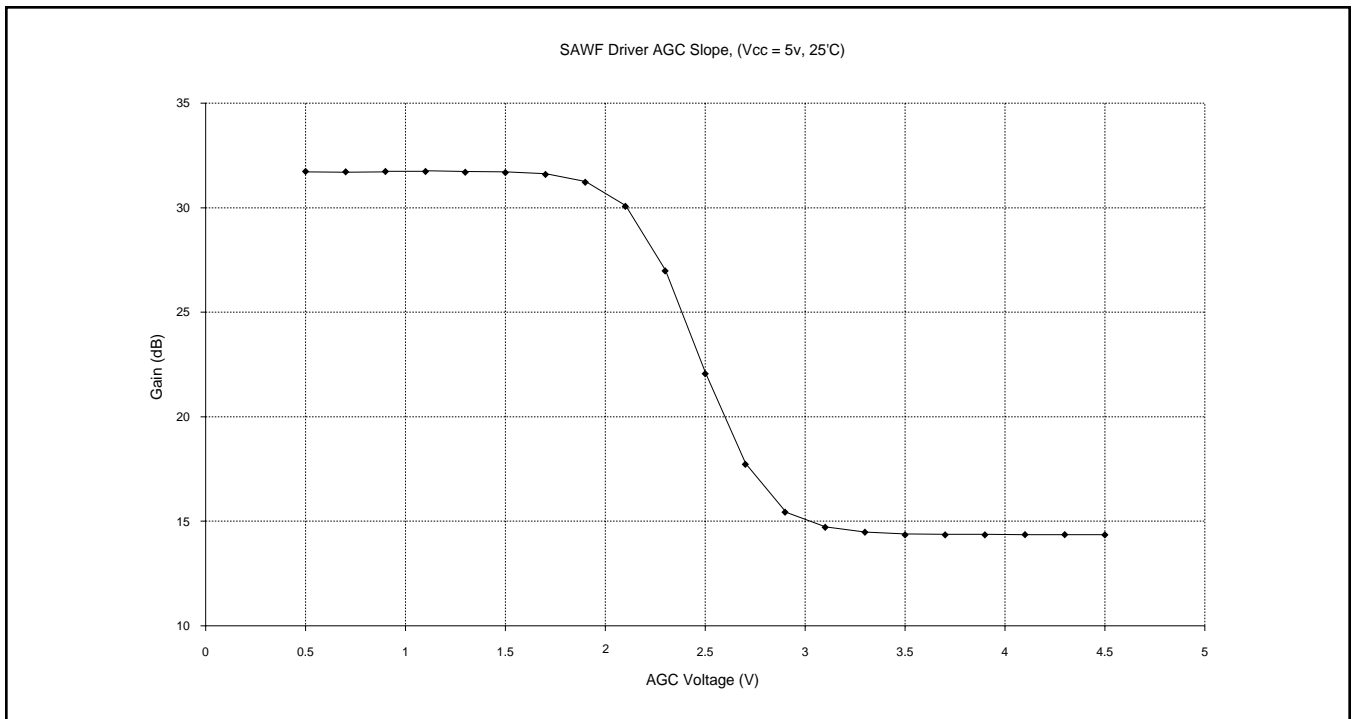


Figure 3 - Typical SAWF driver stage AGC characteristic

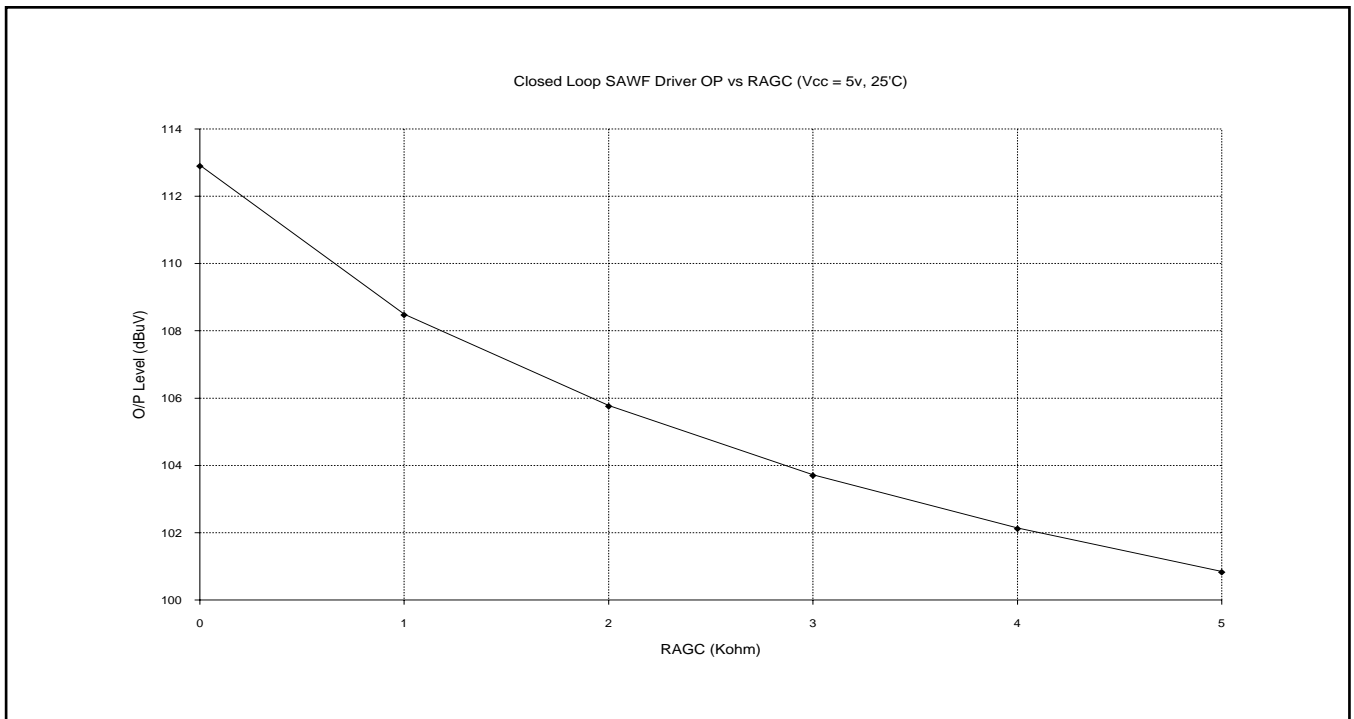


Figure 4 - AGCOUT characteristic versus AGCBIAS resistor

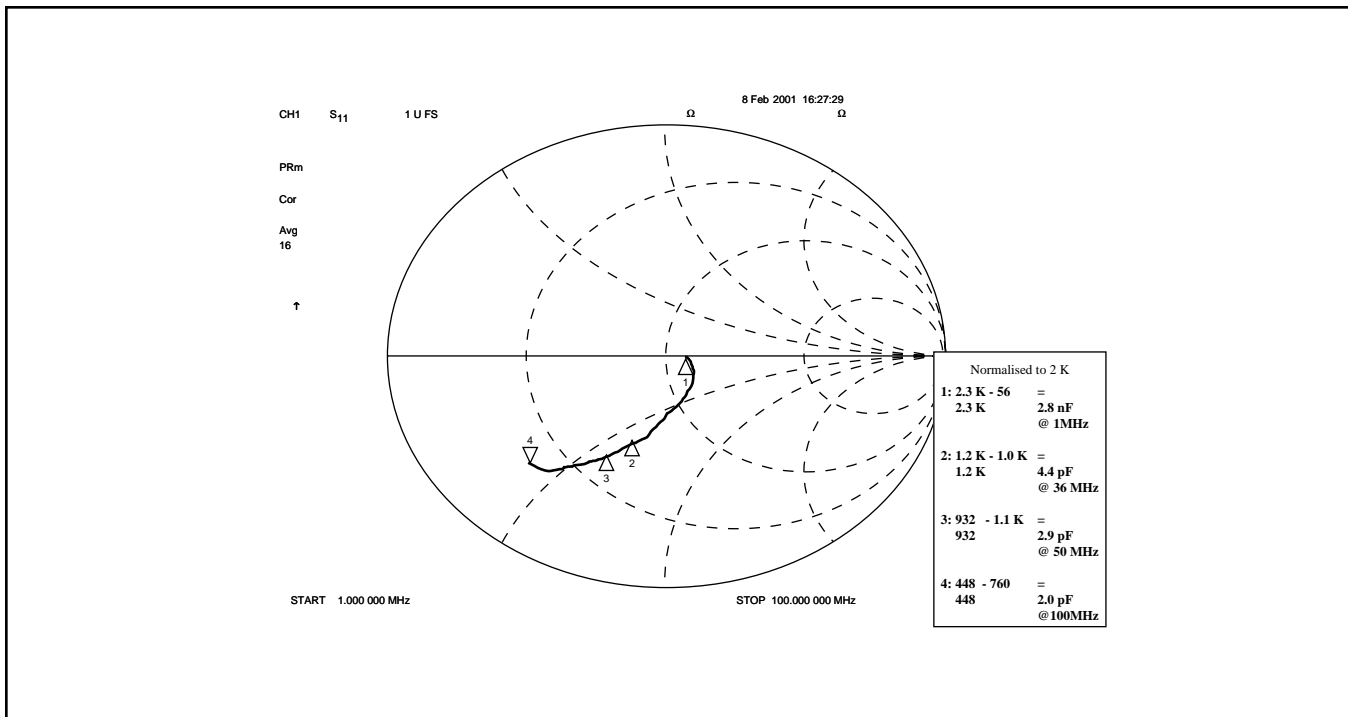


Figure 5 - Typical SAWF driver input impedance, single-ended

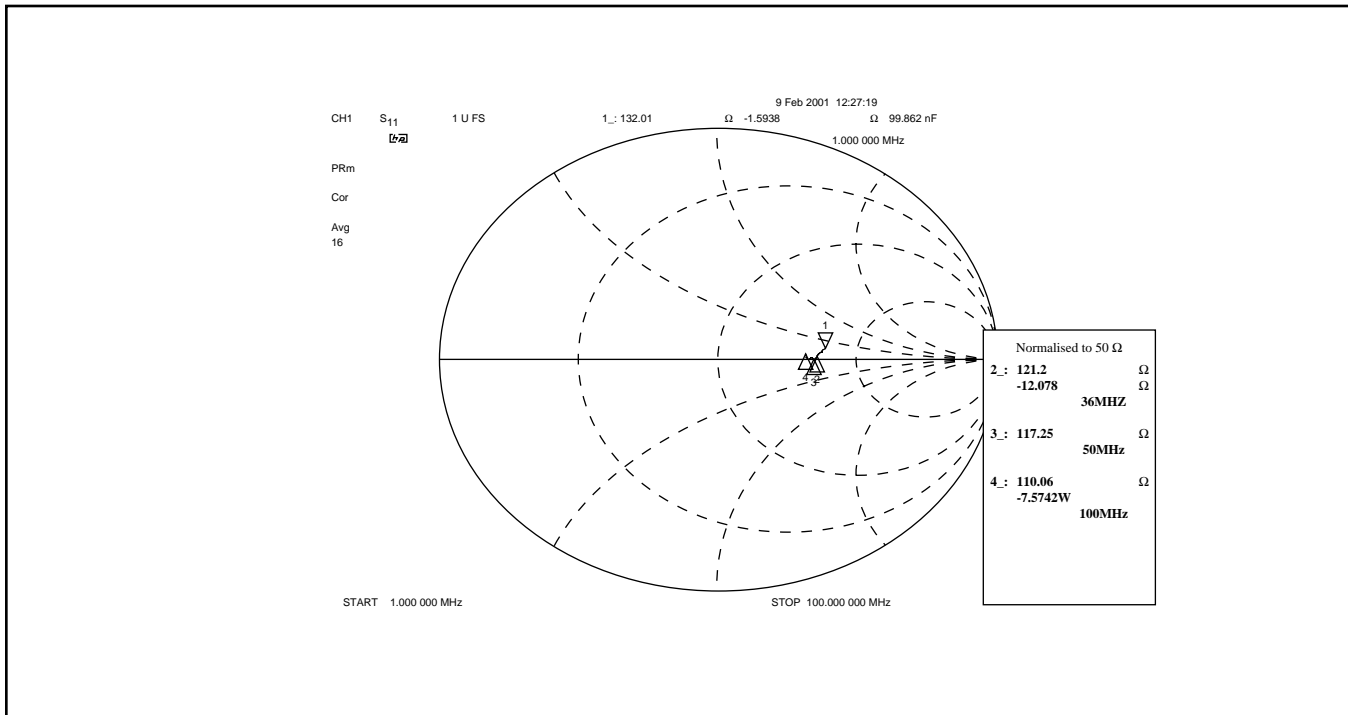


Figure 6 - Typical SAWF driver output impedance, single-ended

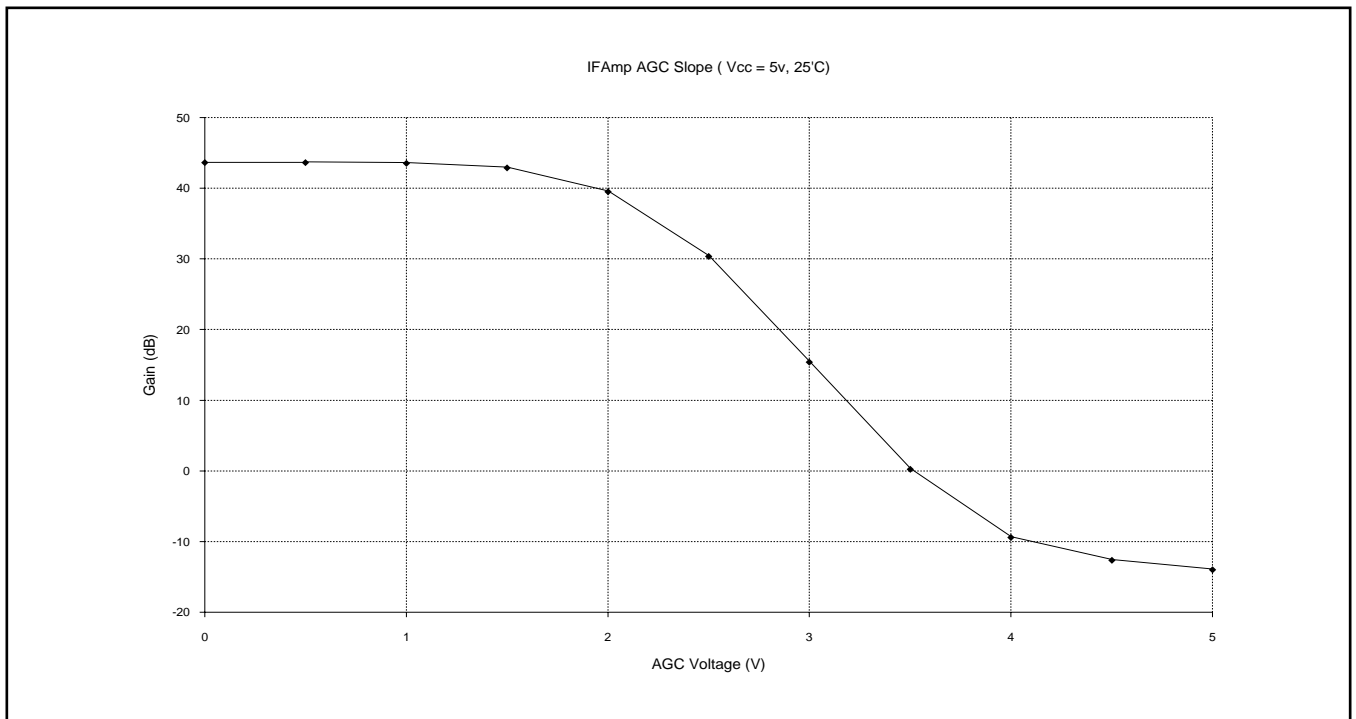


Figure 7 - Typical IF amplifier stage AGC characteristic

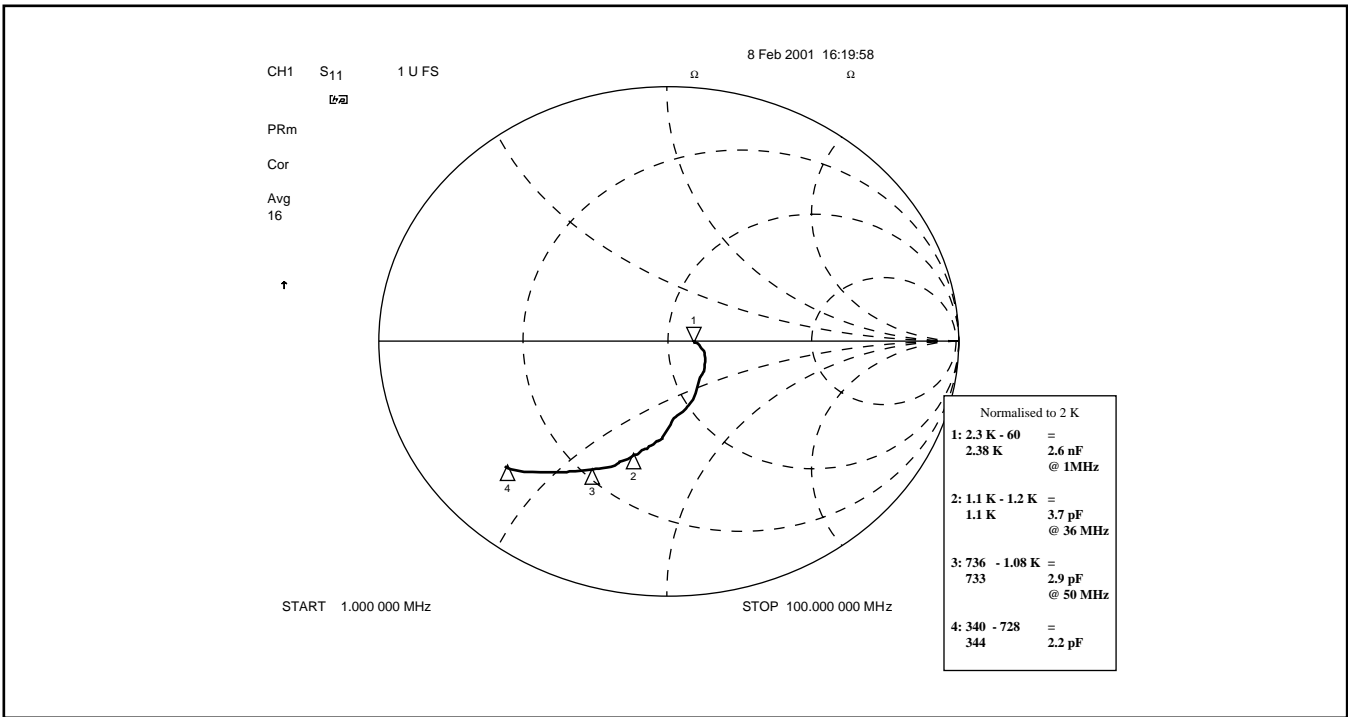


Figure 8 - Typical IF amplifier input impedance, single-ended

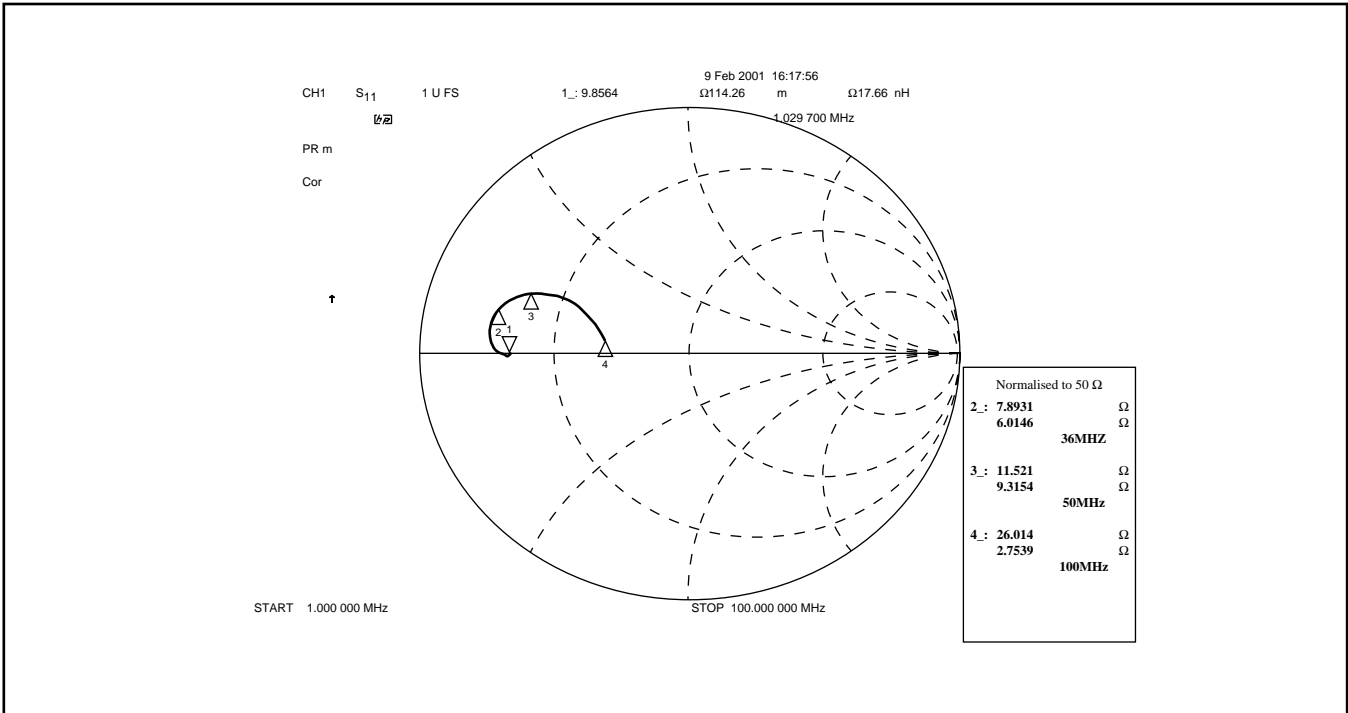


Figure 9 - Typical IF amplifier output impedance, single-ended

Electrical Characteristics

Test conditions (unless otherwise stated)

$T_{amb} = -40^{\circ}$ to 85° C, $V_{ee} = 0$ V, $V_{ccIF} = 5$ V \pm 5%, $V_{ccSAW} = 5$ V \pm 5%

These characteristics are guaranteed by either production test or design. They apply within the specified ambient temperature and supply voltage unless otherwise stated.

Characteristics	pin	min	typ	max	units	Conditions
Supply current	3,16		50	70	mA	Pin (3) VccIF and pin (16) VccSAW are isolated on chip.
Operating frequency		30		50	MHz	Over specified output range. Excluding SAW filter contributions. 8MHz B/W. See note (4)
Gain Flatness				1dB		
SAWF driver						
Input impedance	10,11		2		k Ω	Differential, see figure (5)
			3		pF	
Noise Figure			4	6	dB	$T_{amb} = 27^{\circ}$ C, referred to source impedance of 2 k Ω conversion gain set at 28 dB
Variation in NF with gain adjust				-1	dB/dB	
Output referred IP3		3			dBV	Over specified gain range, see note (1) and (4)
Gain						Voltage conversion gain from 2 k Ω differential source to 1 k Ω /10 pF single-ended load, see note (4)
Maximum		25.5		32	dB	$V_{agc1} = 1.5$ V
Minimum		8.5		15	db	$V_{agc1} = 3.5$ V
						AGC monotonic from V_{ee} to V_{cc} . See Figure (3)
Output impedance	14,15		50		Ω	Single-ended, see figure (6)
Output return loss	14,15		9		dB	
Output limiting	14,15	1.8			Vp-p	Single-ended into 1 k Ω // 10 pF load 3 rd Harmonic of wanted output signal better than 10dBC.
AGC1 Leakage current	12	-110		110	μ A	$V_{ee} \leq V_{agc1} \leq V_{cc}$
		-50		50	μ A	1.5 V $\leq V_{agc1} \leq 3.5$ V
AGCOUT charging current	13	150	200	350	μ A	Source and sink
AGCOUT voltage range	13	0.5		3.5	V	See note (3), max load current 50 μ A
AGC output level set						See figure (4)

Table 2 - Electrical Characteristics

Characteristics	pin	min	typ	max	units	Conditions
IF amplifier						
Input impedance	1,2		2		k Ω	Differential, see figure (8)
			3		pF	
Noise Figure			4	6	dB	Tamb=27°C, referred to source impedance of 2 k Ω conversion gain set at 40 dB
Variation in NF with gain adjust				-1	dB/dB	
Output referred IP3	5,7	5			dBV	With gains of 24dB and above, see note (2)
		4			dBV	With gains from 20dB to 24dB, see note (2)
Gain						Voltage conversion gain from 2 k Ω differential source to 1 k Ω // 15 pF single-ended load, see figure (7)
Maximum		38			dB	Vagc2=1.0V
Minimum				20	dB	Vagc2=4.25V AGC monotonic from V _{ee} to V _{cc}
Output impedance	5,7			25	Ω	Single-ended, see figure (9)
Output limiting	5,7	1.8			Vp-p	Single-ended into to 1 k Ω // 15 pF load. 3 rd Harmonic of wanted output signal better than 10dBC.
AGC2 leakage current	4	-110		110	μ A	

Table 2 - Electrical Characteristics (continued)

Notes:

- (1) Two output tones at 104 dB μ V within operating range
- (2) Two output tones at 108 dB μ V within operating range
- (3) When controlling external AGC the current load on AGCOUT should be minimised
- (4) For maximum performance, capacitive load should be resonated with appropriate inductance at chosen IF frequency.

Absolute Maximum Ratings

All voltages are referred to V_{ee} at 0V, and V_{ccIF}=V_{ccSAW}

Absolute Maximum Ratings

All voltages are referred to V_{ee} at 0V, and $V_{cc,IF}=V_{ccSAW}$

Characteristics	min	max	units	conditions
Supply voltage	-0.3	7	V	
All I/O port DC offsets	-0.3	$V_{cc}+0.3$	V	
Storage temperature	-55	150	°C	
Junction temperature		150	°C	
Package thermal resistance, chip to case		32.2	°C	
Package thermal resistance, chip to ambient		108.1	°C/W	
Power consumption at 5.25V		368	mW	
ESD protection	2		kV	Mil-std 883B method 3015 cat1

Table 3 - Absolute Maximum Ratings

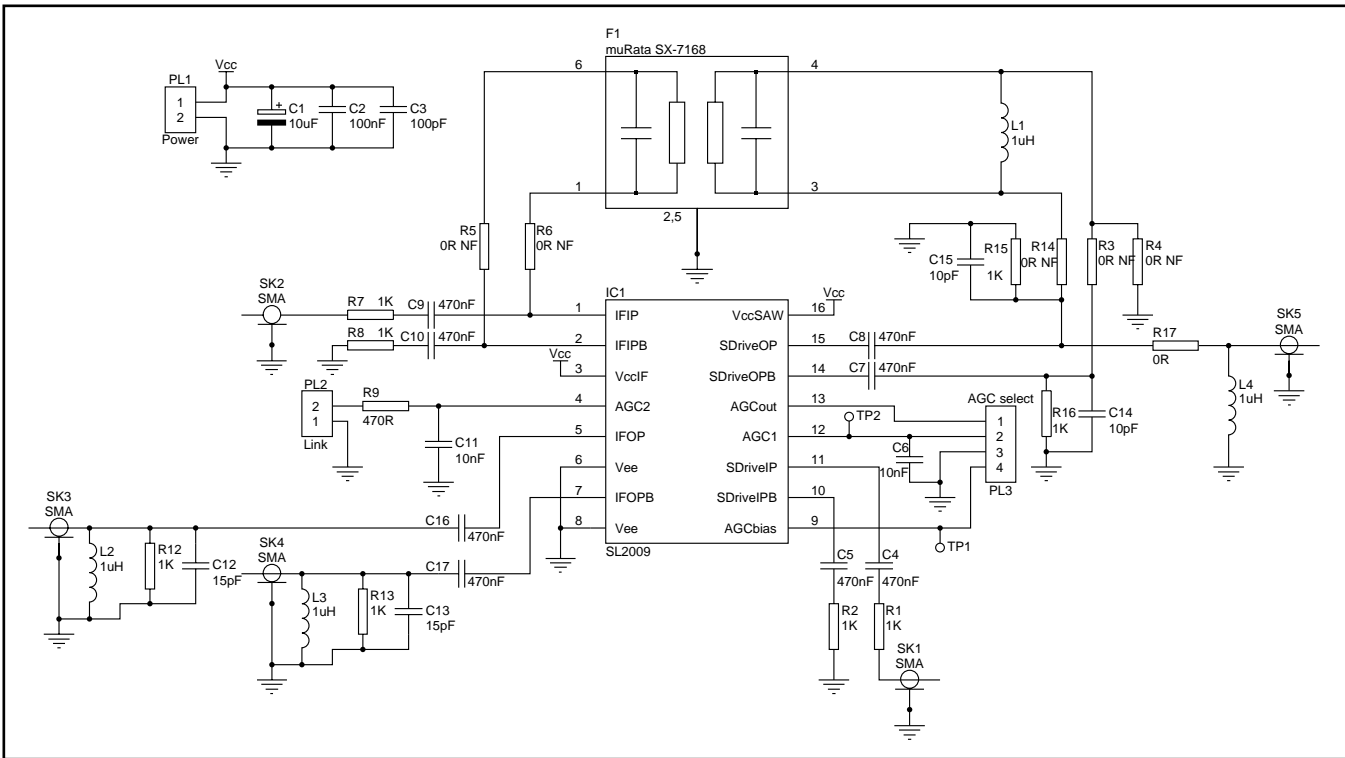


Figure 10 - Evaluation Board Schematic

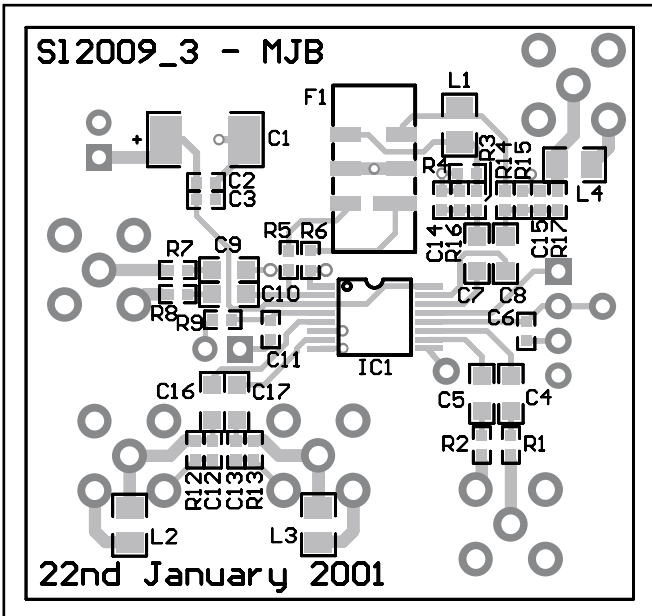


Figure 11 - Top Layout

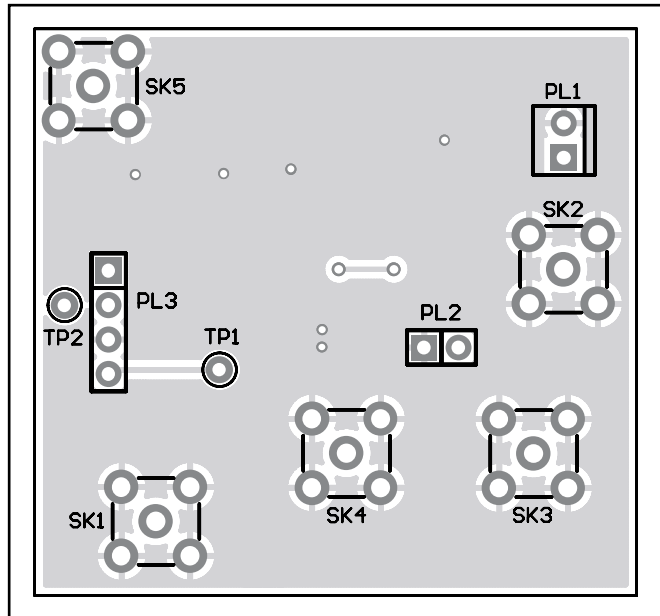
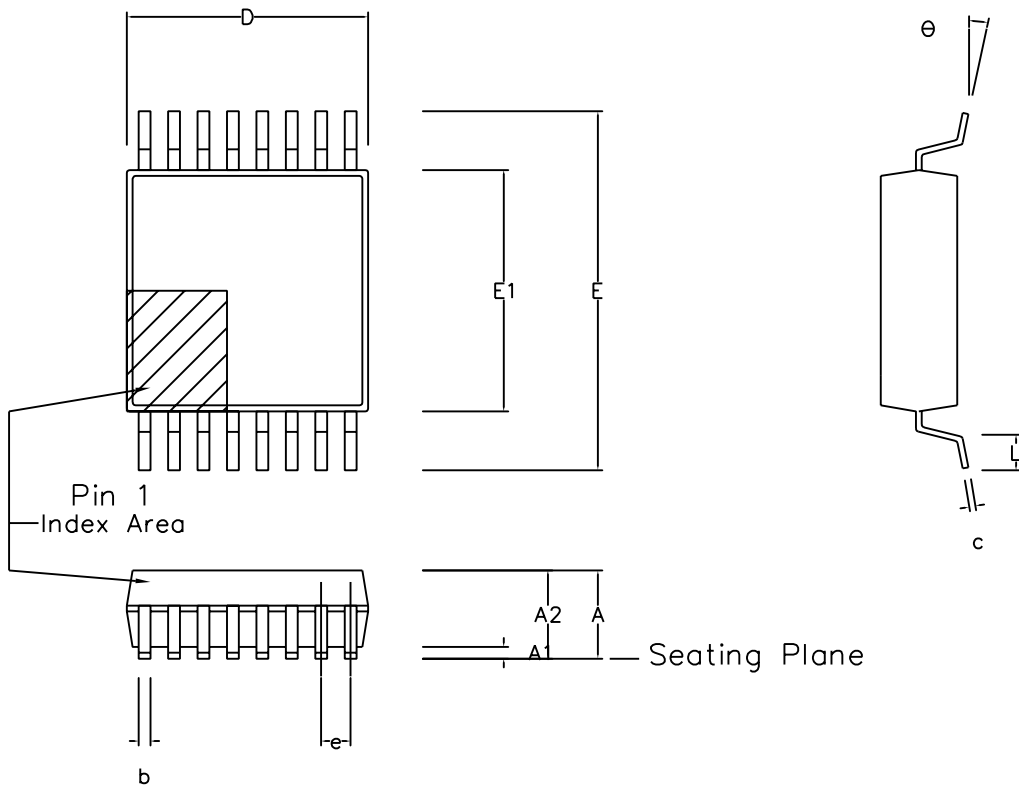


Figure 12 - Bottom Layout



Symbol	Control Dimensions in millimetres			Altern. Dimensions in inches		
	MIN	Nominal	MAX	MIN	Nominal	MAX
A	1.70		2.00	0.067		0.079
A1	0.05		0.20	0.002		0.008
A2	1.65		1.85	0.065		0.073
D	5.90		6.50	0.232		0.256
E	7.40		8.20	0.291		0.323
E1	5.00		5.60	0.197		0.220
L	0.55		0.95	0.022		0.037
e	0.65 BSC.			0.026 BSC.		
b	0.22		0.38	0.009		0.015
c	0.09		0.25	0.004		0.010
θ	0°		8°	0°		8°
Pin features						
N	16					
Conforms to JEDEC MO-150 AC Iss. B						

Notes:

1. A visual index feature, e.g. a dot, must be located within the cross-hatched area.
2. Controlling dimension are in millimeters.
3. Dimensions D and E1 do not include mould flash or protusion. Mould flash or protusion shall not exceed 0.20 mm per side. D and E1 are maximum plastic body size dimensions including mould mismatch.
4. Dimension b does not include dambar protusion/intrusion. Allowable dambar protusion shall be 0.13 mm total in excess of b dimension. Dambar intrusion shall not reduce dimension b by more than 0.07 mm.

© Zarlink Semiconductor 2002 All rights reserved.					 ZARLINK SEMICONDUCTOR	Package Code	DD
ISSUE	1	2	3	4		Previous package codes	Package Outline for 16 lead SSOP (5.3MM Body Width)
ACN	201031	201932	205235	212434		NP / N	
DATE	10Sep96	27Feb97	25Sep98	25Mar02			GPD00140
APPRD.							



**For more information about all Zarlink products
visit our Web Site at
www.zarlink.com**

Information relating to products and services furnished herein by Zarlink Semiconductor Inc. or its subsidiaries (collectively "Zarlink") is believed to be reliable. However, Zarlink assumes no liability for errors that may appear in this publication, or for liability otherwise arising from the application or use of any such information, product or service or for any infringement of patents or other intellectual property rights owned by third parties which may result from such application or use. Neither the supply of such information or purchase of product or service conveys any license, either express or implied, under patents or other intellectual property rights owned by Zarlink or licensed from third parties by Zarlink, whatsoever. Purchasers of products are also hereby notified that the use of product in certain ways or in combination with Zarlink, or non-Zarlink furnished goods or services may infringe patents or other intellectual property rights owned by Zarlink.

This publication is issued to provide information only and (unless agreed by Zarlink in writing) may not be used, applied or reproduced for any purpose nor form part of any order or contract nor to be regarded as a representation relating to the products or services concerned. The products, their specifications, services and other information appearing in this publication are subject to change by Zarlink without notice. No warranty or guarantee express or implied is made regarding the capability, performance or suitability of any product or service. Information concerning possible methods of use is provided as a guide only and does not constitute any guarantee that such methods of use will be satisfactory in a specific piece of equipment. It is the user's responsibility to fully determine the performance and suitability of any equipment using such information and to ensure that any publication or data used is up to date and has not been superseded. Manufacturing does not necessarily include testing of all functions or parameters. These products are not suitable for use in any medical products whose failure to perform may result in significant injury or death to the user. All products and materials are sold and services provided subject to Zarlink's conditions of sale which are available on request.

Purchase of Zarlink's I²C components conveys a licence under the Philips I²C Patent rights to use these components in and I²C System, provided that the system conforms to the I²C Standard Specification as defined by Philips.

Zarlink, ZL and the Zarlink Semiconductor logo are trademarks of Zarlink Semiconductor Inc.

Copyright Zarlink Semiconductor Inc. All Rights Reserved.

TECHNICAL DOCUMENTATION - NOT FOR RESALE
