

## SL21A SCHOTTKY RECTIFIER

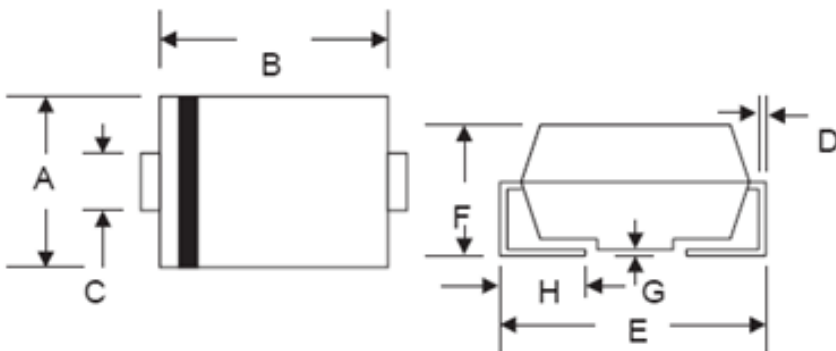
### Applications:

- Switching power supply
- Converters
- Free-Wheeling diodes
- Reverse battery protection
- Disk drives
- Battery charging

### Features:

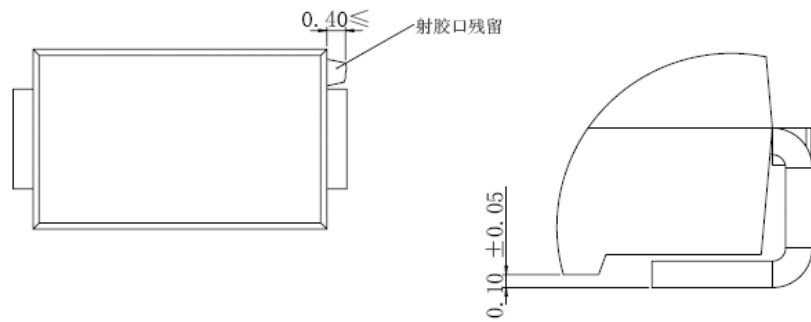
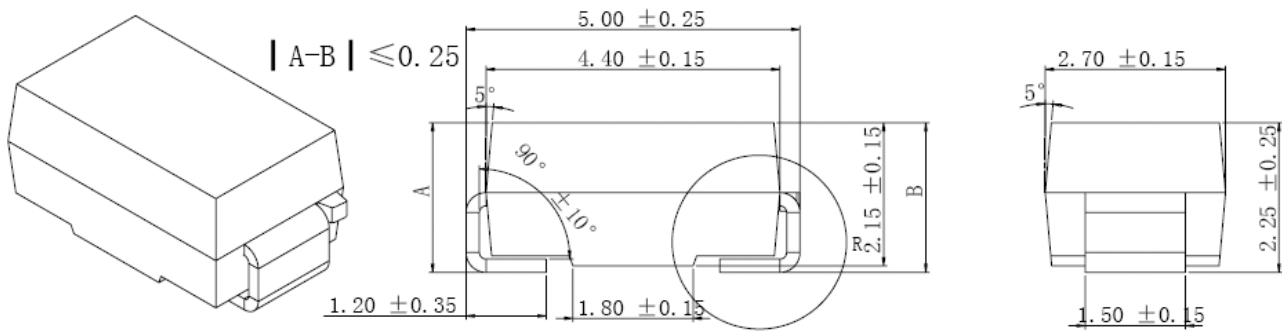
- Schottky Barrier Chip
- Guard Ring Die Construction for Transient Protection
- High Current Capability
- Low Power Loss, High Efficiency
- High Surge Current Capability
- For Use in Low Voltage, High Frequency Inverters, Free Wheeling, and Polarity Protection Applications
- This is a Pb – Free Device
- All SMC parts are traceable to the wafer lot
- Additional testing can be offered upon request

### Mechanical Dimensions: In Inches / mm



SMA/DO-214AC				
Dim	Min	Max	Min	Max
A	2.50	2.90	0.098	0.114
B	4.00	4.60	0.157	0.181
C	1.40	1.60	0.055	0.063
D	0.152	0.305	0.006	0.012
E	4.80	5.28	0.189	0.208
F	2.00	2.44	0.079	0.096
G	0.051	0.203	0.002	0.008
H	0.76	1.52	0.030	0.060
	In mm		In inch	

### OPTION 1

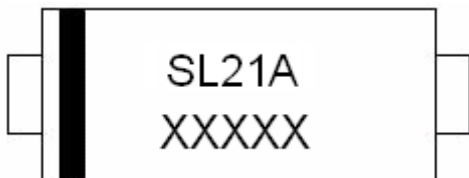


**OPTION 2(JK)**

**SMA**

**Marking Diagram:**

Where XXXXX is YYWWL



- SL = Device Type
- 2 = Forward Current (2A)
- 1 = Reverse Voltage (10V)
- A = Package type
- YY = Year
- WW = Week
- L = Lot Number

**Cautions:** Molding resin  
 Epoxy resin UL:94V-0

**Ordering Information:**

Device	Package	Shipping
SL21A	SMA (Pb-Free)	5000pcs / reel

For information on tape and reel specifications, including part orientation and tape sizes, please refer to our Tape and Reel Packaging Specification.

**Maximum Ratings:**

Characteristics	Symbol	Condition	Max.	Units
Peak Inverse Voltage	$V_{RWM}$	-	10	V
Average Forward Current	$I_{F(AV)}$	50% duty cycle @ $T_L=110^{\circ}C$ , rectangular wave form	2	A
peak one cycle Non-repetitive Surge Current	$I_{FSM}$	8.3 ms, half Sine pulse	160	A

**Electrical Characteristics:**

Characteristics	Symbol	Condition	Max.	Units
Forward Voltage Drop *	$V_{F1}$	@ 2A, Pulse, $T_J = 25\text{ }^\circ\text{C}$	0.35	V
	$V_{F2}$	@ 2A, Pulse, $T_J = 100\text{ }^\circ\text{C}$	0.26	V
Reverse Current *	$I_{R1}$	@ $V_R = \text{rated VR}$ $T_J = 25\text{ }^\circ\text{C}$	0.7	mA
	$I_{R2}$	@ $V_R = \text{rated VR}$ $T_J = 100\text{ }^\circ\text{C}$	60	mA

\* Pulse Width < 300 $\mu\text{s}$ , Duty Cycle < 2%**Thermal-Mechanical Specifications:**

Characteristics	Symbol	Condition	Specification	Units
Junction Temperature	$T_J$	-	-55 to +125	$^\circ\text{C}$
Storage Temperature	$T_{\text{stg}}$	-	-55 to +125	$^\circ\text{C}$
Maximum Thermal Resistance Junction to Lead	$R_{\theta\text{JL}}$	-	15	$^\circ\text{C/W}$
Maximum Thermal Resistance, Junction to Ambient	$R_{\theta\text{JA}}$	-	81	$^\circ\text{C/W}$
Approximate Weight	wt	-	0.11	g
Case Style	SMA			



SL21A

Technical Data  
Data Sheet N1705, Rev. -

Green Products

**DISCLAIMER:**

- 1- The information given herein, including the specifications and dimensions, is subject to change without prior notice to improve product characteristics. Before ordering, purchasers are advised to contact the SMC - Sangdest Microelectronics (Nanjing) Co., Ltd sales department for the latest version of the datasheet(s).
- 2- In cases where extremely high reliability is required (such as use in nuclear power control, aerospace and aviation, traffic equipment, medical equipment, and safety equipment), safety should be ensured by using semiconductor devices that feature assured safety or by means of users' fail-safe precautions or other arrangement.
- 3- In no event shall SMC - Sangdest Microelectronics (Nanjing) Co., Ltd be liable for any damages that may result from an accident or any other cause during operation of the user's units according to the datasheet(s). SMC - Sangdest Microelectronics (Nanjing) Co., Ltd assumes no responsibility for any intellectual property claims or any other problems that may result from applications of information, products or circuits described in the datasheets.
- 4- In no event shall SMC - Sangdest Microelectronics (Nanjing) Co., Ltd be liable for any failure in a semiconductor device or any secondary damage resulting from use at a value exceeding the absolute maximum rating.
- 5- No license is granted by the datasheet(s) under any patents or other rights of any third party or SMC - Sangdest Microelectronics (Nanjing) Co., Ltd.
- 6- The datasheet(s) may not be reproduced or duplicated, in any form, in whole or part, without the expressed written permission of SMC - Sangdest Microelectronics (Nanjing) Co., Ltd.
- 7- The products (technologies) described in the datasheet(s) are not to be provided to any party whose purpose in their application will hinder maintenance of international peace and safety nor are they to be applied to that purpose by their direct purchasers or any third party. When exporting these products (technologies), the necessary procedures are to be taken in accordance with related laws and regulations..