

**SURFACE MOUNT SCHOTTKY
BARRIER RECTIFIERS**

SL22A--SL210A

FEATURES

- Low leakage
- Low forward voltage drop
- High current capability
- For surface mounted applications
- Easily cleaned with Alcohol, Isopropanol and similar solvents



MECHANICAL DATA

- Case: SMA molded plastic body
- Terminals: Solder plated, solderable per MIL-STD-202, Method 208
- Polarity: Color band denotes cathode end

Maximum Ratings (@TA = 25°C unless otherwise specified)

Characteristic	Symbol	SL22A	SL23A	SL24A	SL25A	SL26A	SL28A	SL29A	SL210A	UNITS
Maximum repetitive peak reverse voltage	V_{RRM}	20	30	40	50	60	80	90	100	V
Maximum RMS voltage	V_{RWS}	14	21	28	35	42	56	63	70	V
Maximum DC blocking voltage	V_{DC}	20	30	40	50	60	80	90	100	V
Maximum average forward rectified current at $T_L=90^\circ\text{C}$	$I_{F(AV)}$	2.0								A
Peak forward surge current 8.3ms single half-sine-wave	I_{FSM}	50								A

Thermal Characteristics

Characteristic	Symbol	SL22A	SL23A	SL24A	SL25A	SL26A	SL28A	SL29A	SL210A	UNITS	
Maximum thermal resistance	$R_{\theta JL}$	17								$^\circ\text{C/W}$	
	$R_{\theta JA}$	75									
Operating temperature range	T_J	-55 ---- +125					-55 ---- +150				$^\circ\text{C}$
Storage temperature range	T_{STG}	-55 ---- +150								$^\circ\text{C}$	

Electrical Characteristics (@TA = 25°C unless otherwise specified)

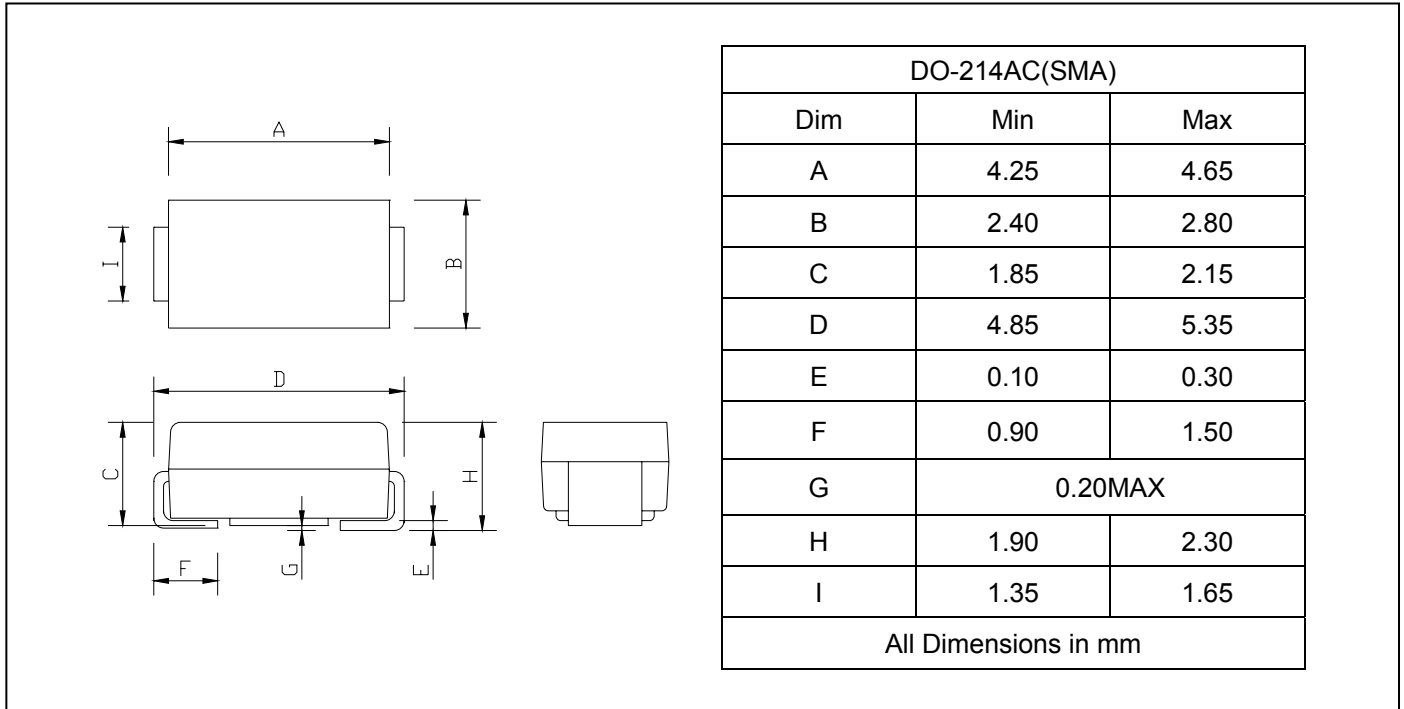
Characteristic	Symbol	SL22A	SL23A	SL24A	SL25A	SL26A	SL28A	SL29A	SL210A	UNITS	
Maximum instantaneous forward voltage at $I_{FM}=2.0\text{A}$	V_F	0.45			0.58		0.63			V	
Maximum DC reverse current $T_J=25^\circ\text{C}$ at rated DC blocking voltage $T_J=125^\circ\text{C}$	I_R					0.5					mA
						20					



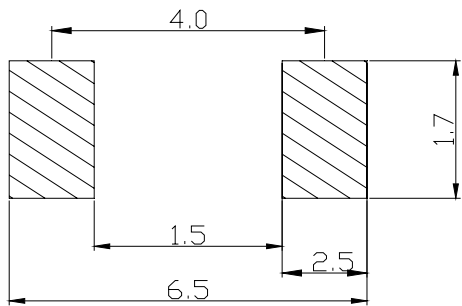
**SURFACE MOUNT SCHOTTKY
BARRIER RECTIFIERS**

SL22A--SL210A

PACKAGE OUTLINE DIMENSIONS



SOLDERING FOOTPRINT



Unit : mm

PACKAGE INFORMATION

Device	Package	Shipping
SL22A--SL210A	DO-214AC(SMA)	5000/Tape&Reel