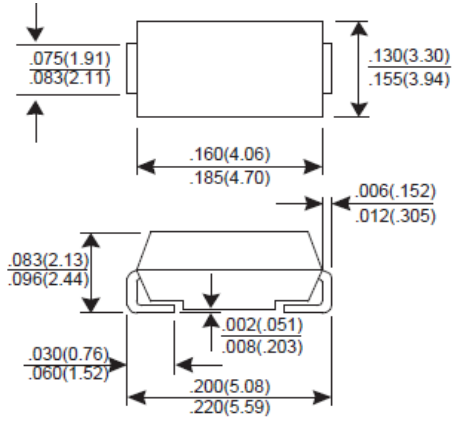


## SL22A THRU SLL24A

### Surface Mount Schottky Barrier Rectifier

<p><b>Features</b></p> <ul style="list-style-type: none"> <li>• Low forward voltage drop</li> <li>• High current capability</li> <li>• High reliability</li> <li>• High surge current capability</li> </ul> <p><b>Mechanical Data</b></p> <ul style="list-style-type: none"> <li>• Case: Molded plastic SMB/DO-214AA</li> <li>• Epoxy: UL 94V-0 rate flame retardant</li> <li>• Terminals: Solderable per MIL-STD-750 method 2026</li> <li>• Polarity: Color band denotes cathode end</li> <li>• Mounting position: Any</li> <li>• Weight: 0.093 grams</li> </ul>	<p>Voltage Range 20V-40V / Current 2.0 Ampere</p> <p><b>SMB/DO-214AA</b></p>  <p>Dimensions in inches and (millimeters)</p>
---	---

### MAXIMUM RATINGS AND ELECTRICAL CHARACTERISTICS

Rating at 25°C ambient temperature unless otherwise specified.

Single phase, half wave, 60Hz, resistive or inductive load.

For capacitive load, derate current by 20%.

PARAMTER	SYMBOL	SL22A	SLL22A	SL24A	SLL24A	UNIT
Max. Recurrent Peak Reverse Voltage	VRRM	20		40		V
Max. RMS Voltage	VRMS	14		28		V
Max. DC Blocking Voltage	VDC	20		40		V
Max. Average Forward Rectified Current T <sub>L</sub> =105°C	IF(AV)	2.0				A
Peak Forward Surge Current, 8.3ms single half sine- wave superimposed on rated load (JEDEC method)	IFSM	50				A
Max. Instantaneous Forward Voltage: @2.0A	V <sub>F</sub>	0.38	0.34	0.4	0.36	V
Max. DC Reverse Current @T <sub>J</sub> =25°C At Rated DC Blocking Voltage @T <sub>J</sub> =100°C	I <sub>R</sub>	1 10				mA
Maximum Reverse Recovery Time (Note 1)	C <sub>J</sub>	170				pF
Operating Junction and Storage Temperature Range	T <sub>J</sub> , T <sub>STG</sub>	-55 to +125 / -55 to +150				°C

NOTES : (1) Measured at 1.0 MHz and applied reverse voltage of 4.0 Volts DC.

(2) Pulse test : 300us pulse width, 1% duty cycle

## RATINGS AND CHARACTERISTIC CURVES SL22A THRU SLL24A

FIG.1 - FORWARD CURRENT DERATING CURVE

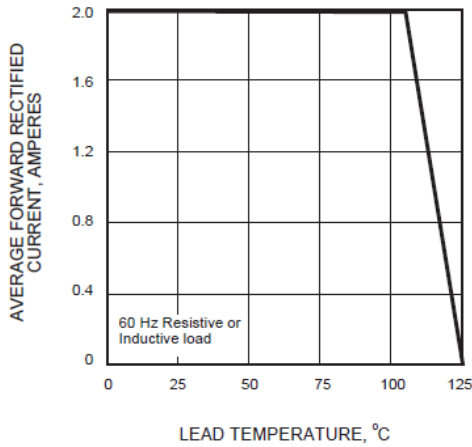


FIG.2 - MAXIMUM NON-REPETITIVE PEAK FORWARD SURGE CURRENT

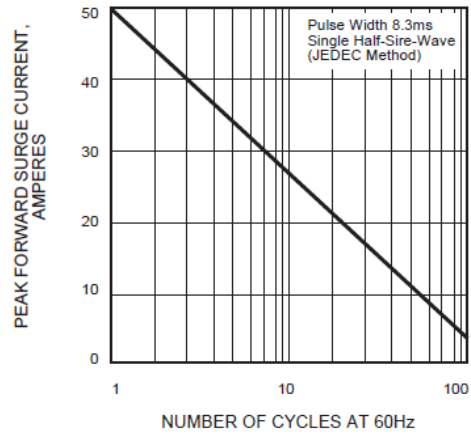


FIG.3 - TYPICAL INSTANTANEOUS FORWARD CHARACTERISTICS

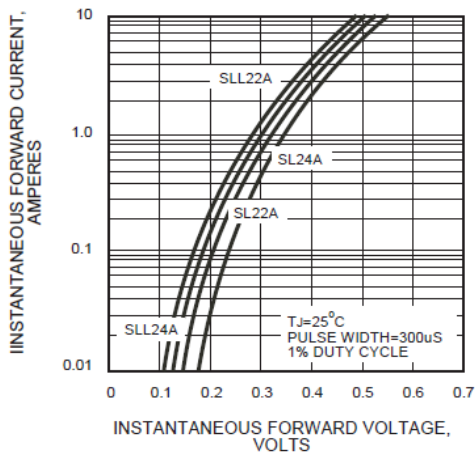


FIG.4 - TYPICAL REVERSE CHARACTERISTICS

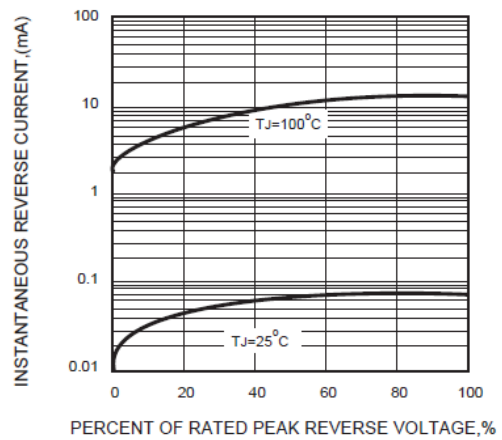


FIG.5 - TYPICAL JUNCTION CAPACITANCE

