

The SL2524 is a pin compatible replacement for the SL2521 and SL2522 series of log amplifiers, and exhibits a superior stability performance. The amplifier is a successive detection type which provides linear gain and accurate logarithmic signal compression over a wide bandwidth. The two stages can be operated independently.

When six stages (three SL2524s) are cascaded the strip can be used for IFs between 30-650MHz whilst achieving greater than 65dB dynamic range with a log accuracy of $\pm 1.0\text{dB}$. The balanced limited output also offers accurate phase information with input amplitude.

FEATURES

- 1.3GHz Bandwidth (-3dB)
- Balanced IF limiting
- 3ns Rise Times/5ns Fall Times (six stages)
- 20ns Pulse Handling (six stages)
- Temperature Stabilised
- Surface Mountable

APPLICATIONS

- Ultra Wideband Log Receivers
- Channelised Receivers
- Monopulse Applications

ABSOLUTE MAXIMUM RATINGS

| | |
|--|---|
| Supply Voltage (V_{CC} above V_{EE}) | +7.0V |
| Storage temperature | -65°C to +150°C |
| Operating temperature range | |
| SL2524/B/LC | -40°C to +85°C |
| SL2524/C/HP | -30°C to +85°C |
| Junction temperature - LC20 | +175°C |
| - HP20 | +150°C |
| Applied DC voltage to RF input | $\pm 0.4\text{V}$ (between RF I/P pins) |
| Applied RF power to RF input | +15dBm |
| Value of R_{SET} resistors | NOT less than 180Ω |
| Thermal resistance:- | |
| Die to case -LC 20 | 28°C/W |
| - HP20 | 20°C/W |
| Die to ambient - LC20 | 73°C/W |
| - HP20 | 82°C/W |

ORDERING INFORMATION

SL2524/B/LC (Ceramic leadless chip carrier package)
 SL2524/C/HP (Plastic J lead chip carrier package)
 SL2524/NA/1C (DC probe tested bare die)
 5962 - 92315 (SMD)

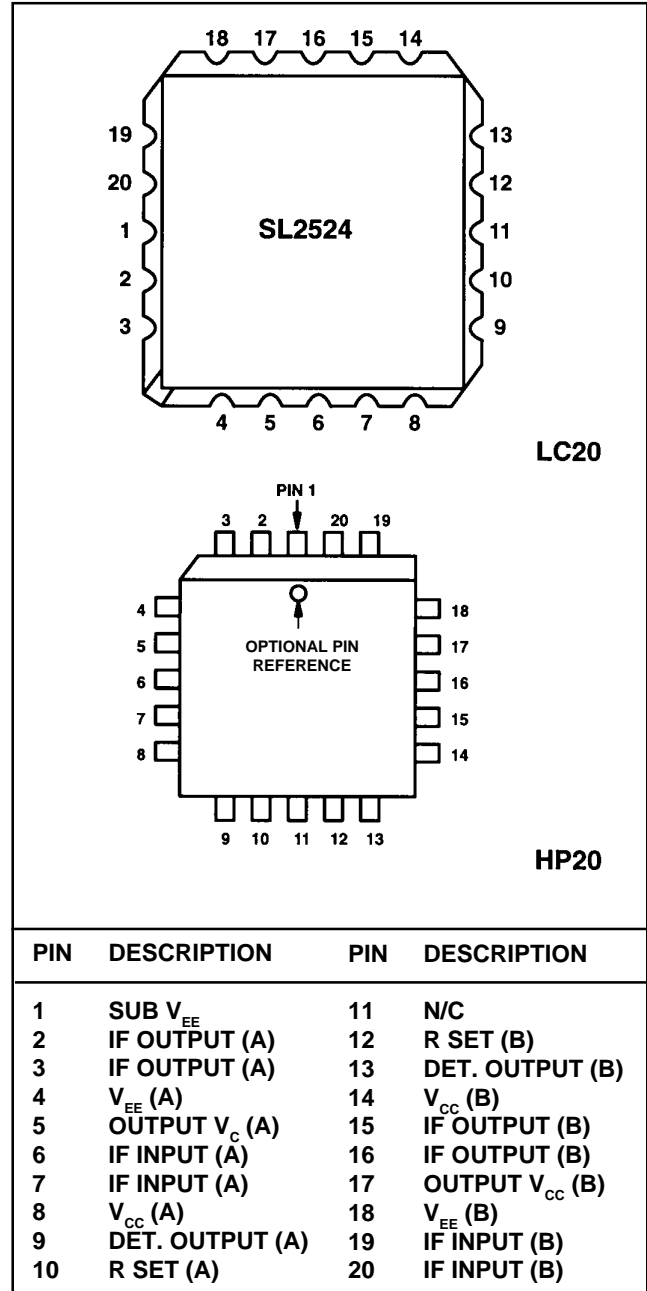


Fig.1 Pin connections top view

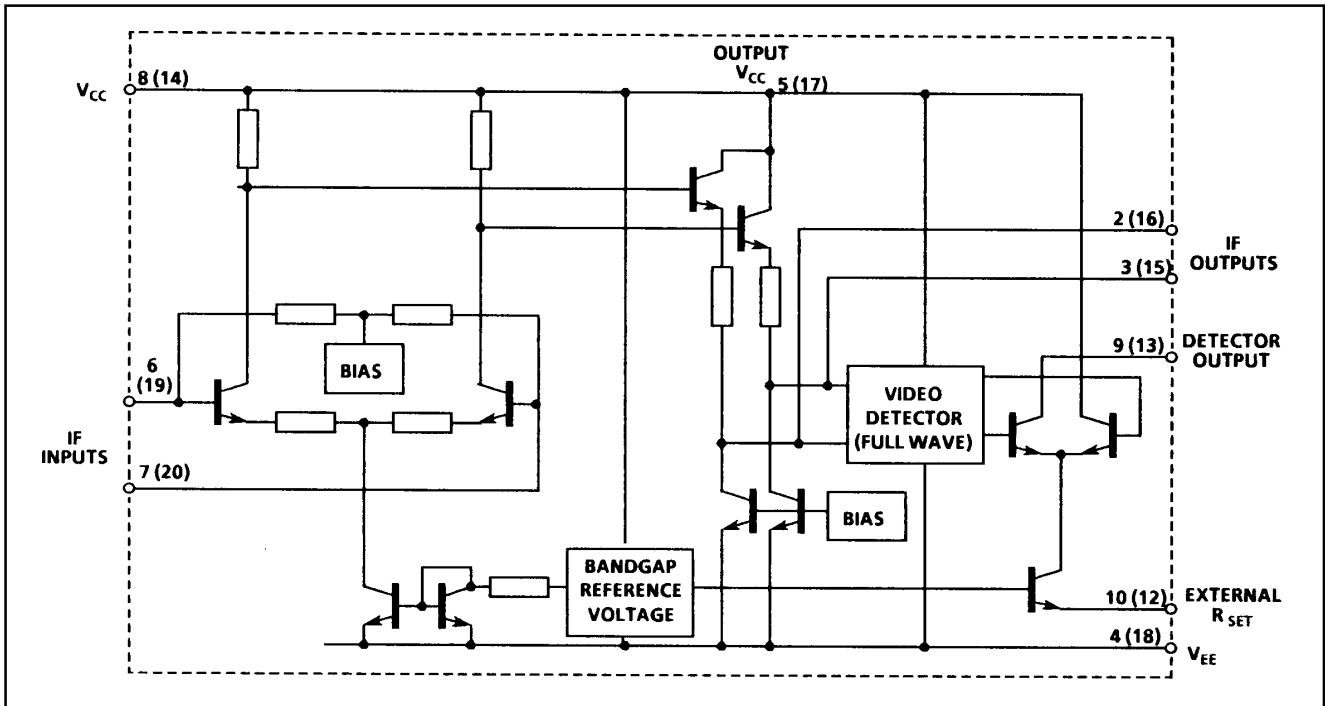


Fig.2 Circuit diagram of single stage A - (stage B pin Nos bracketed)

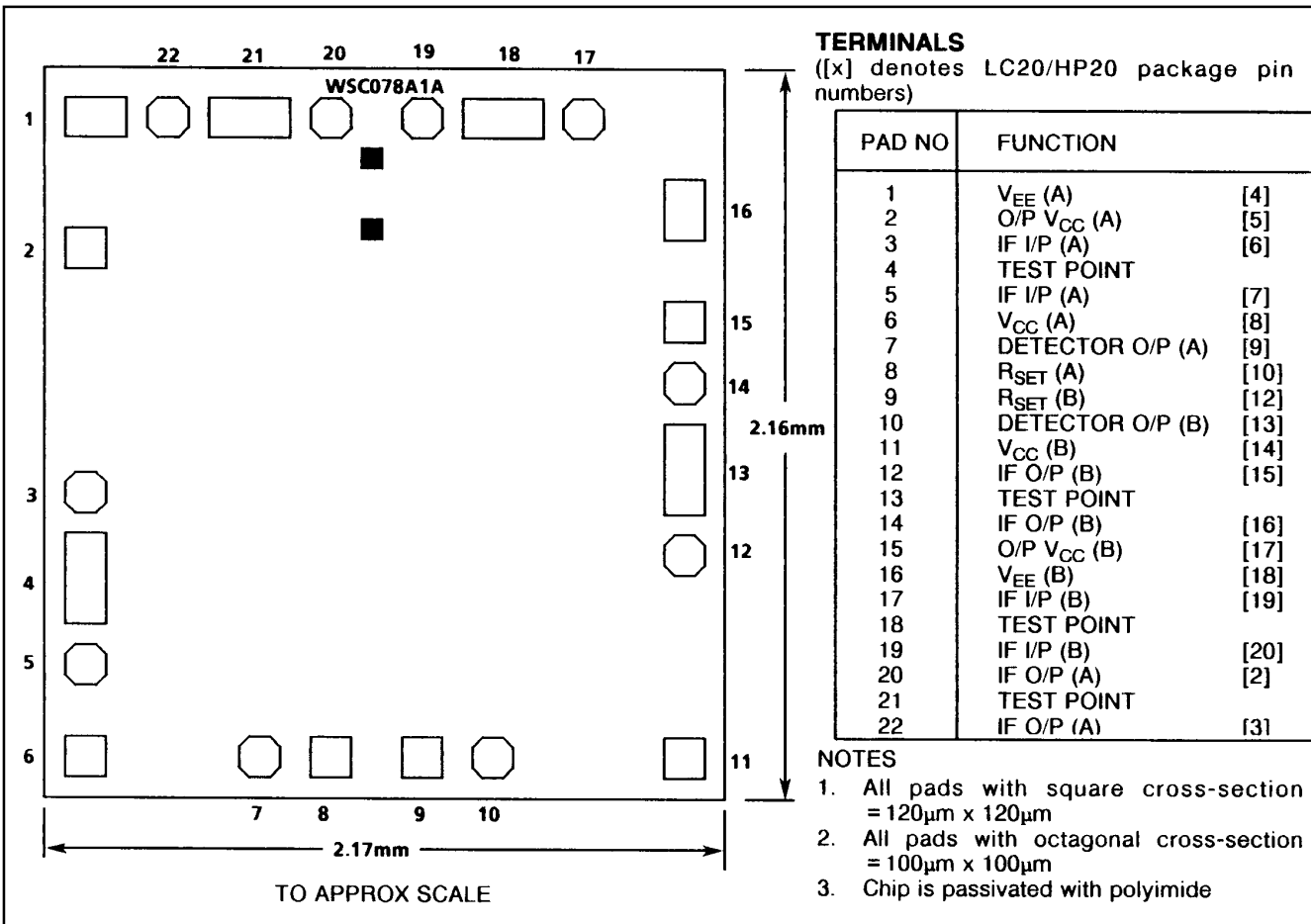


Fig.3 Pad map for SL2524 naked die

ELECTRICAL CHARACTERISTICS - SL2524B**Guaranteed at the following test conditions unless otherwise stated**

Frequency = 200MHz, $T_{amb} = +25^{\circ}\text{C}$, Input power = -30dBm, $V_{CC} = 6V \pm 0.1V$, Source Impedance = 50 Ω .
 Load impedance = 50 Ω , Test Circuit = Fig. 4, $R_{SET} = 300\Omega$. Tested as a dual stage.

| Characteristic | Value | | | Units | Conditions |
|---|-------------------------------|----------------|----------------|------------|---|
| | Min | Typ | Max | | |
| Supply current | 70 | 87 | 100 | mA | |
| Small signal gain (dual stage, single ended) | 9.6 | 11.4 | 13.0 | dB | $T_{amb} = +25^{\circ}\text{C}$ f = 25MHz See Notes 1, 3 |
| | 10.1 | 11.6 | 13.1 | dB | $T_{amb} = -40^{\circ}\text{C}$ f = 200MHz See Notes 2, 3 |
| | 9.9 | 11.3 | 12.7 | dB | $T_{amb} = +25^{\circ}\text{C}$ f = 200MHz See Note 3 |
| | 9.5 | 11.0 | 12.5 | dB | $T_{amb} = +85^{\circ}\text{C}$ f = 200MHz See Notes 2, 3 |
| | 9.7 | 11.2 | 12.7 | dB | $T_{amb} = -40^{\circ}\text{C}$ f = 500MHz See Notes 2, 3 |
| | 9.3 | 10.7 | 12.1 | dB | $T_{amb} = +25^{\circ}\text{C}$ f = 500MHz See Note 3 |
| | 8.2 | 9.7 | 11.2 | dB | $T_{amb} = +85^{\circ}\text{C}$ f = 500MHz See Notes 2, 3 |
| | Detected output current (max) | 3.20 | 3.45 | 3.70 | mA |
| 3.05 | | 3.25 | 3.45 | mA | $T_{amb} = -40^{\circ}\text{C}$, $V_{IN} = 0\text{dBm}$, f = 200MHz See Note 2 |
| 3.15 | | 3.30 | 3.45 | mA | $T_{amb} = +25^{\circ}\text{C}$, $V_{IN} = 0\text{dBm}$, f = 200MHz |
| 3.10 | | 3.30 | 3.50 | mA | $T_{amb} = +85^{\circ}\text{C}$, $V_{IN} = 0\text{dBm}$, f = 200MHz See Note 2 |
| 2.80 | | 3.10 | 3.30 | mA | $T_{amb} = -40^{\circ}\text{C}$, $V_{IN} = 0\text{dBm}$, f = 500MHz See Note 2 |
| 2.90 | | 3.15 | 3.45 | mA | $T_{amb} = +25^{\circ}\text{C}$, $V_{IN} = 0\text{dBm}$, f = 500MHz |
| 2.85 | | 3.10 | 3.65 | mA | $T_{amb} = +85^{\circ}\text{C}$, $V_{IN} = 0\text{dBm}$, f = 500MHz See Note 2 |
| Detected output current (no signal) | | 0.85 | 0.95 | 1.15 | mA |
| | 0.80 | 0.93 | 1.10 | mA | $T_{amb} = +25^{\circ}\text{C}$, See Note 2 |
| | 0.80 | 0.90 | 1.10 | mA | $T_{amb} = +85^{\circ}\text{C}$, See Note 2 |
| Upper cut off frequency (RF) | 600 | 1100 | | MHz | -3dB w.r.t 200MHz, $T_{amb} = -40^{\circ}\text{C}$ See Note 2 |
| | 900 | 1100 | | MHz | -3dB w.r.t 200MHz, $T_{amb} = +25^{\circ}\text{C}$ |
| | 600 | 800 | | MHz | -3dB w.r.t 200MHz, $T_{amb} = +85^{\circ}\text{C}$ See Note 2 |
| Lower cut off frequency (RF) | | 0.35 | 1 | MHz | -3dB w.r.t 200MHz, $T_{amb} = +25^{\circ}\text{C}$ |
| Detector cut off frequency | | 700 | | MHz | 50% O/P current w.r.t. 200MHz |
| Limited IF O/P voltage | 135 | 155 | 175 | mV | I/P power = 0dBm, $T_{amb} = +25^{\circ}\text{C}$ |
| Phase variation with input level (normalised to -30dBm) | | 0 \pm 2.0 | 0 \pm 3.0 | Degree | Frequency = 70MHz, -55 to +3dBm See Note 2 |
| | | -4.0 \pm 2.0 | -4.0 \pm 3.0 | Degree | Frequency = 200MHz, -55 to +3dBm See Note 2 |
| Limited O/P var with temp. | | \pm 12 | \pm 25 | mV | See Note 1 |
| Noise figure | | 14 | | dB | |
| Max I/P before overload | | 15 | | dBm | |
| Input impedance | | 1 | | k Ω | 1k Ω in parallel with 2pF |
| Output impedance | | 50 | | Ω | |

NOTES

- Parameter guaranteed but not tested
- Tested at 25 $^{\circ}\text{C}$ only, but guaranteed at temperature
- Gain will typically increase by 6dB, when RF outputs use 1k Ω loads in place of 50 Ω

ELECTRICAL CHARACTERISTICS - SL2524C**Guaranteed at the following test conditions unless otherwise stated**Frequency = 200MHz, $T_{amb} = +25^{\circ}\text{C}$, Input power = -30dBm, $V_{CC} = 6V \pm 0.1V$, Source Impedance = 50 Ω .Load impedance = 50 Ω , Test Circuit = Fig. 4, $R_{SET} = 300\Omega$. Tested as a dual stage.

| Characteristic | Value | | | Units | Conditions |
|---|-------|----------------|----------|---|---|
| | Min | Typ | Max | | |
| Supply current | 70 | 87 | 100 | mA | |
| Small signal gain (dual stage, single ended) | 9.6 | 11.4 | 13.0 | dB | $T_{amb} = +25^{\circ}\text{C}$ f = 25MHz See Note 3 |
| | 9.6 | 11.6 | 13.6 | dB | $T_{amb} = -30^{\circ}\text{C}$ f = 200MHz See Notes 2, 3 |
| | 9.4 | 11.3 | 13.2 | dB | $T_{amb} = +25^{\circ}\text{C}$ f = 200MHz See Note 3 |
| | 9.0 | 11.0 | 13.0 | dB | $T_{amb} = +85^{\circ}\text{C}$ f = 200MHz See Notes 2, 3 |
| | 9.2 | 11.2 | 13.2 | dB | $T_{amb} = -30^{\circ}\text{C}$ f = 500MHz See Notes 1, 3 |
| | 8.8 | 10.7 | 12.6 | dB | $T_{amb} = +25^{\circ}\text{C}$ f = 500MHz See Note 1 |
| | 7.7 | 9.7 | 11.7 | dB | $T_{amb} = +85^{\circ}\text{C}$ f = 500MHz See Notes 1, 3 |
| Detected output current (max) | 3.20 | 3.45 | 3.70 | mA | $T_{amb} = +25^{\circ}\text{C}$, $V_{IN} = 0\text{dBm}$, f = 25MHz |
| | 2.95 | 3.25 | 3.55 | mA | $T_{amb} = -30^{\circ}\text{C}$, $V_{IN} = 0\text{dBm}$, f = 200MHz |
| | | | | | See Note 2 |
| | 3.05 | 3.30 | 3.55 | mA | $T_{amb} = +25^{\circ}\text{C}$, $V_{IN} = 0\text{dBm}$, f = 200MHz |
| | 3.00 | 3.30 | 3.50 | mA | $T_{amb} = +85^{\circ}\text{C}$, $V_{IN} = 0\text{dBm}$, f = 200MHz |
| | | | | | See Note 2 |
| | 2.70 | 3.10 | 3.30 | mA | $T_{amb} = -30^{\circ}\text{C}$, $V_{IN} = 0\text{dBm}$, f = 500MHz |
| 2.80 | 3.15 | 3.55 | mA | $T_{amb} = +25^{\circ}\text{C}$, $V_{IN} = 0\text{dBm}$, f = 500MHz | |
| | | | | See Note 1 | |
| | | | | | $T_{amb} = +85^{\circ}\text{C}$, $V_{IN} = 0\text{dBm}$, f = 500MHz |
| | | | | | See Note 1 |
| Detected output current (no signal) | 0.75 | 0.95 | 1.25 | mA | $T_{amb} = -30^{\circ}\text{C}$, See Note 2 |
| | 0.70 | 0.93 | 1.20 | mA | $T_{amb} = +25^{\circ}\text{C}$, See Note 2 |
| | 0.70 | 0.90 | 1.20 | mA | $T_{amb} = +85^{\circ}\text{C}$, See Note 2 |
| Upper cut off frequency (RF) | | 1000 | | MHz | -3dB w.r.t 200MHz, $T_{amb} = +25^{\circ}\text{C}$ See Note 1 |
| Lower cut off frequency (RF) | | 0.35 | 2 | MHz | -3dB w.r.t 200MHz, $T_{amb} = +25^{\circ}\text{C}$ |
| Detector cut off frequency | | 600 | | MHz | 50% O/P current w.r.t. 200MHz |
| Limited IF O/P voltage | 105 | 135 | 175 | mV | I/P power = 0dBm, $T_{amb} = +25^{\circ}\text{C}$ |
| Phase variation with input level (normalised to -30dBm) | | 0 \pm 2.0 | | Degree | Frequency = 70MHz, -55 to +3dBm |
| | | -4.0 \pm 2.0 | | Degree | Frequency = 200MHz, -55 to +3dBm |
| | | | | | See Note 1 |
| Limited O/P var with temp. | | \pm 12 | \pm 25 | mV | See Note 1 |
| Noise figure | | 14 | | dB | |
| Max I/P before overload | | 15 | | dBm | |
| Input impedance | | 1 | | k Ω | 1k Ω in parallel with 2pF |
| Output impedance | | 50 | | Ω | |

NOTES

1. Parameter guaranteed but not tested
2. Tested at 25 $^{\circ}\text{C}$ only, but guaranteed at temperature
3. Gain will typically increase by 6dB, when RF outputs use 1k Ω loads in place of 50 Ω

GENERAL DESCRIPTION

The SL2524 is primarily intended for use in Radar and EW receivers. Six stages (3 chip carriers) can be cascaded to form a very wideband logarithmic amplifier offering >65dB of input dynamic range, with pulse handling of better than 25ns. (See figs 5 and 6.)

A six stage strip also offers balanced IF limiting, linearity (log accuracy) of $< \pm 1.0\text{dB}$, temperature stabilisation and programmable detector characteristics.

The detector has an external resistor set (R_{SET}) pin which allows the major characteristics of the detector to be programmed. With six stage strip it is possible to vary the value of R_{SET} on each detector and so improve the overall log error/linearity.

The detector is full wave and good slew rates are achieved with 2ns rise and 5ns fall times (no video filter). The video bandwidth of a six stage strip is typically 600MHz (-3dB).

The amplifier also offers balanced IF limiting, low phase shift versus input amplitude, and at an IF of 120MHz, less than 5° of phase change is achievable over the input level of -55dBm to +5dBm.

The IF and Video ports can be used simultaneously, so offering phase, frequency and pulse (video) information. A slight loss of dynamic range (2dB) will be observed when the IF ports are used in conjunction with the video.

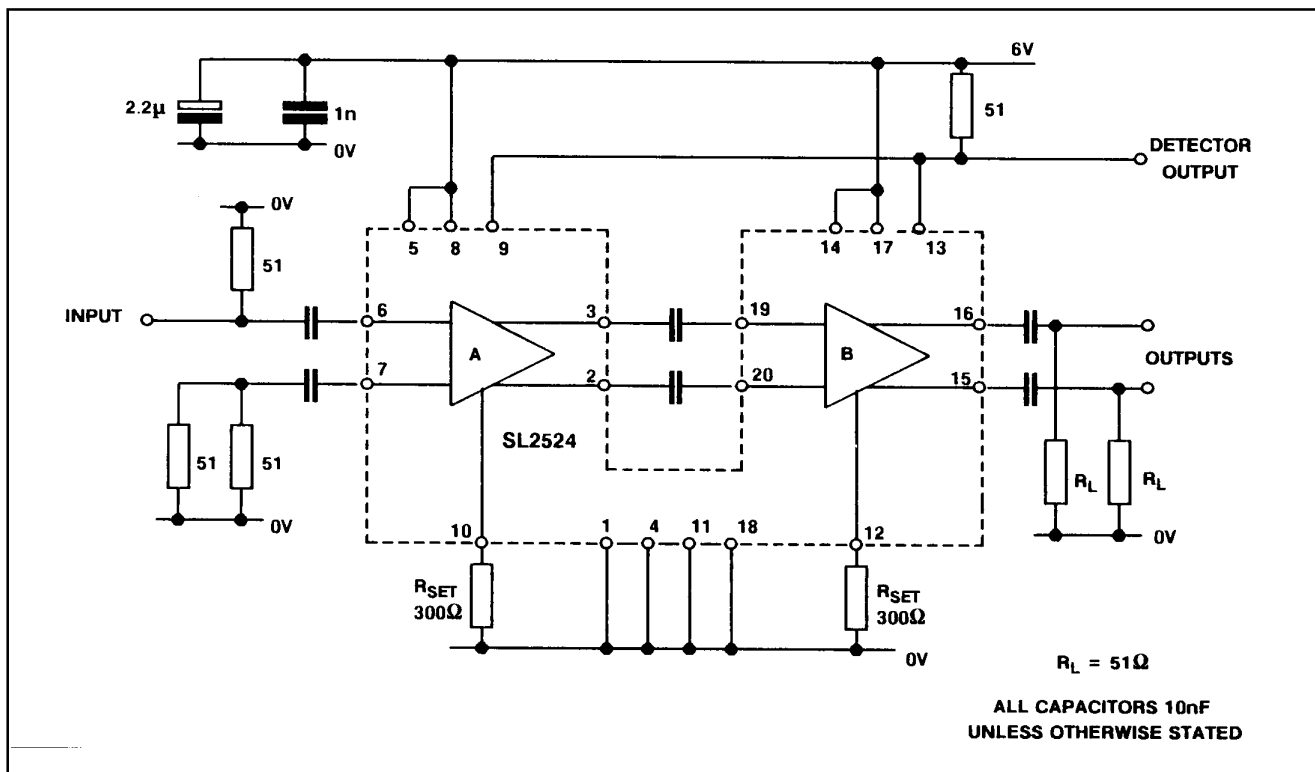


Fig.4 Test circuit

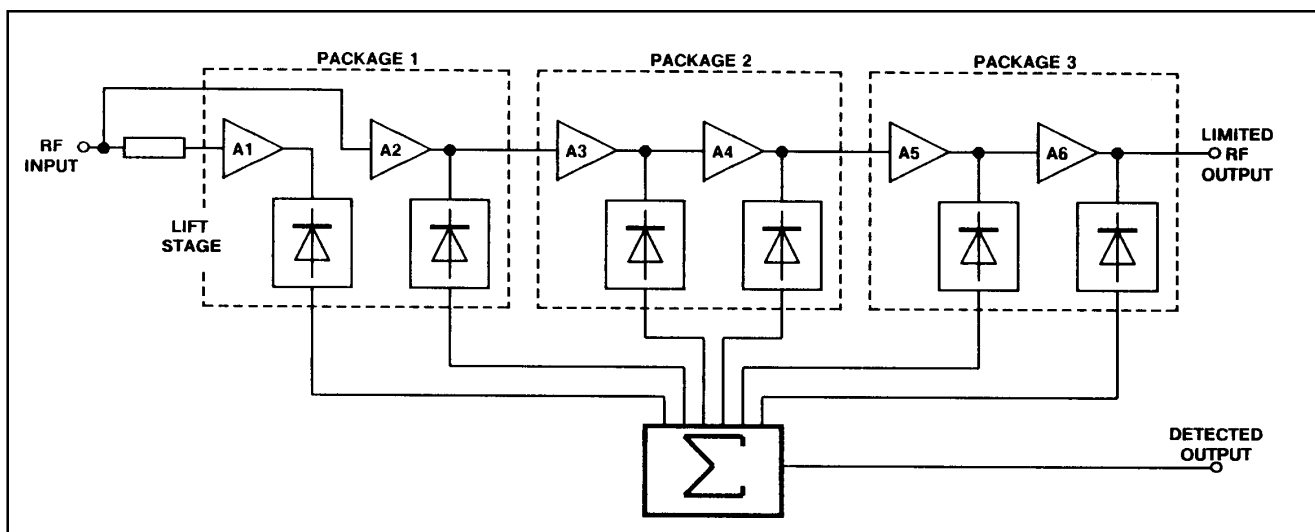


Fig.5 Schematic diagram showing configuration of SD Log strip

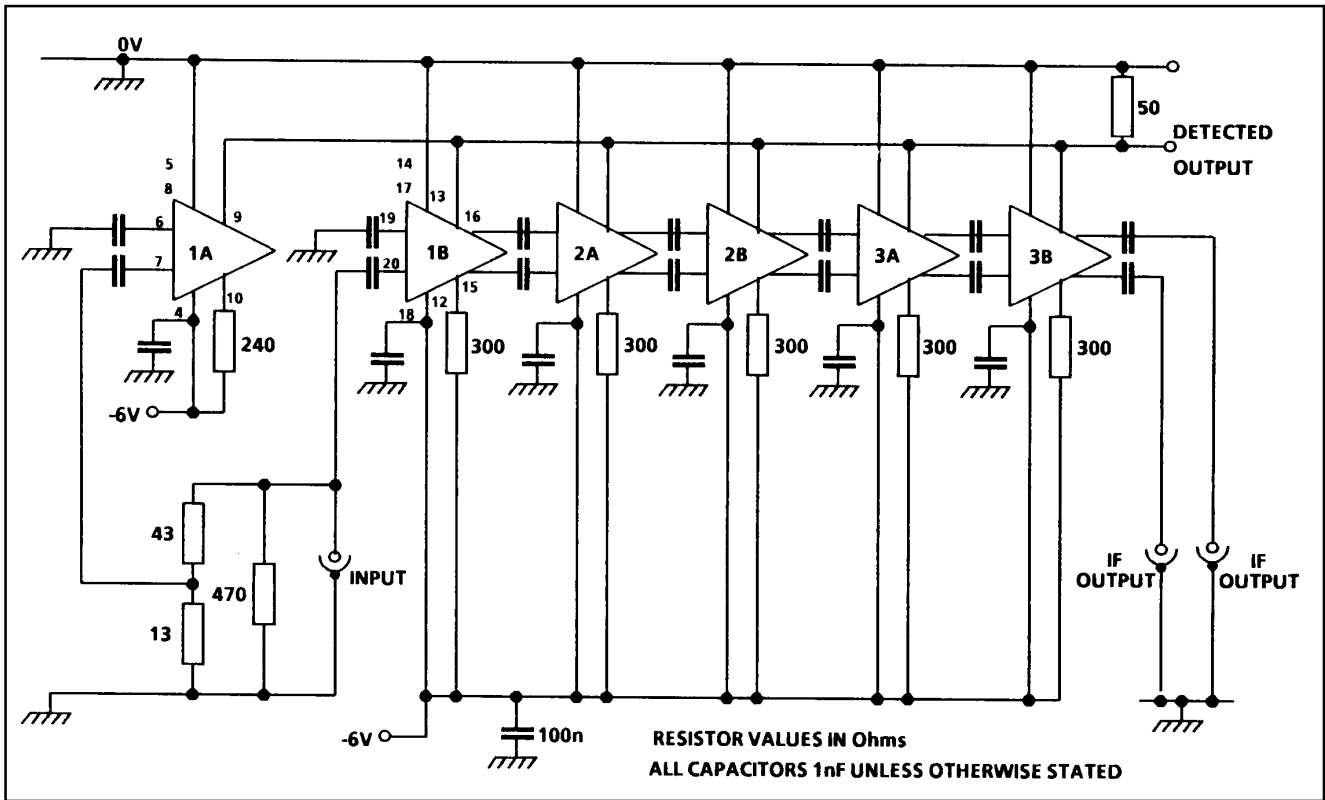


Fig.6 Circuit diagram for 6-log strip (results shown in figs. 11 to 24 were achieved with this circuit)

Typical characteristics for a dual - stage amplifier (i.e. One SL2524)

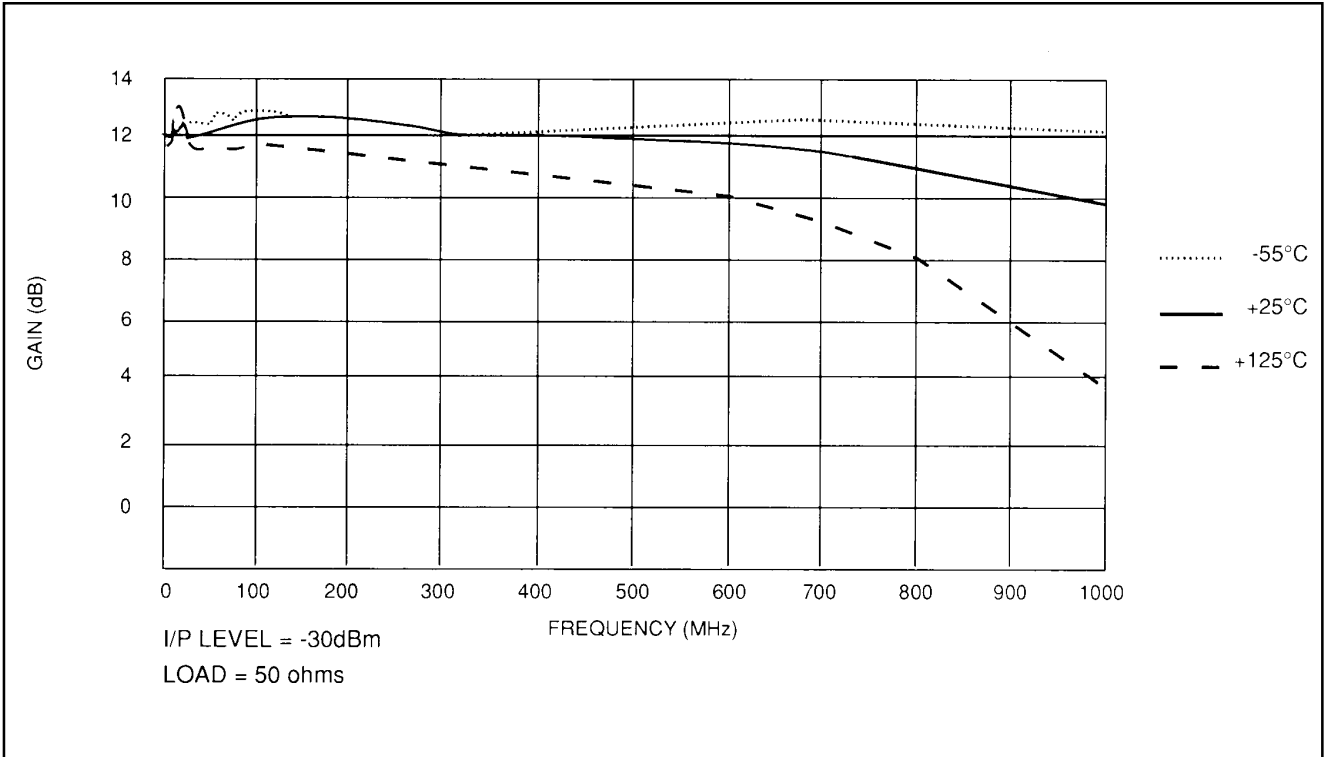


Fig.7 IF Gain vs frequency of 2 amplifiers (One SL2524)

Typical characteristics for a dual - stage amplifier (i.e. One SL2524) cont.

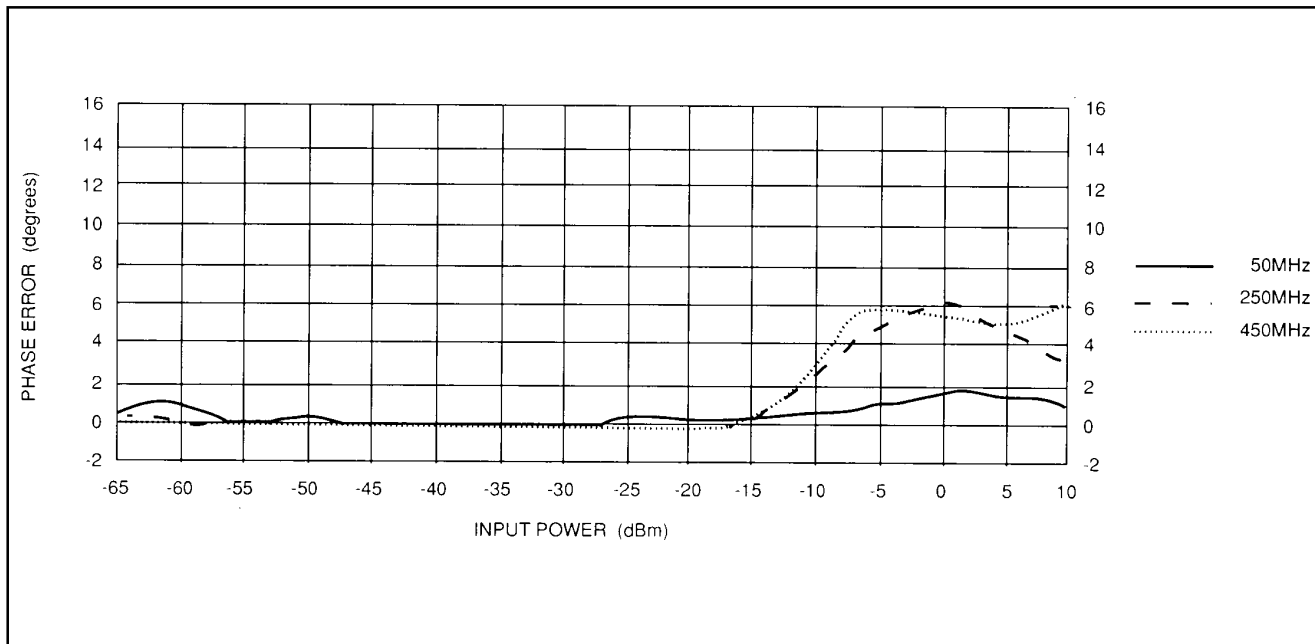


Fig.8 Normalised phase vs CW input level at 50, 250 and 450MHz for 50Ω O/P termination (25°C)

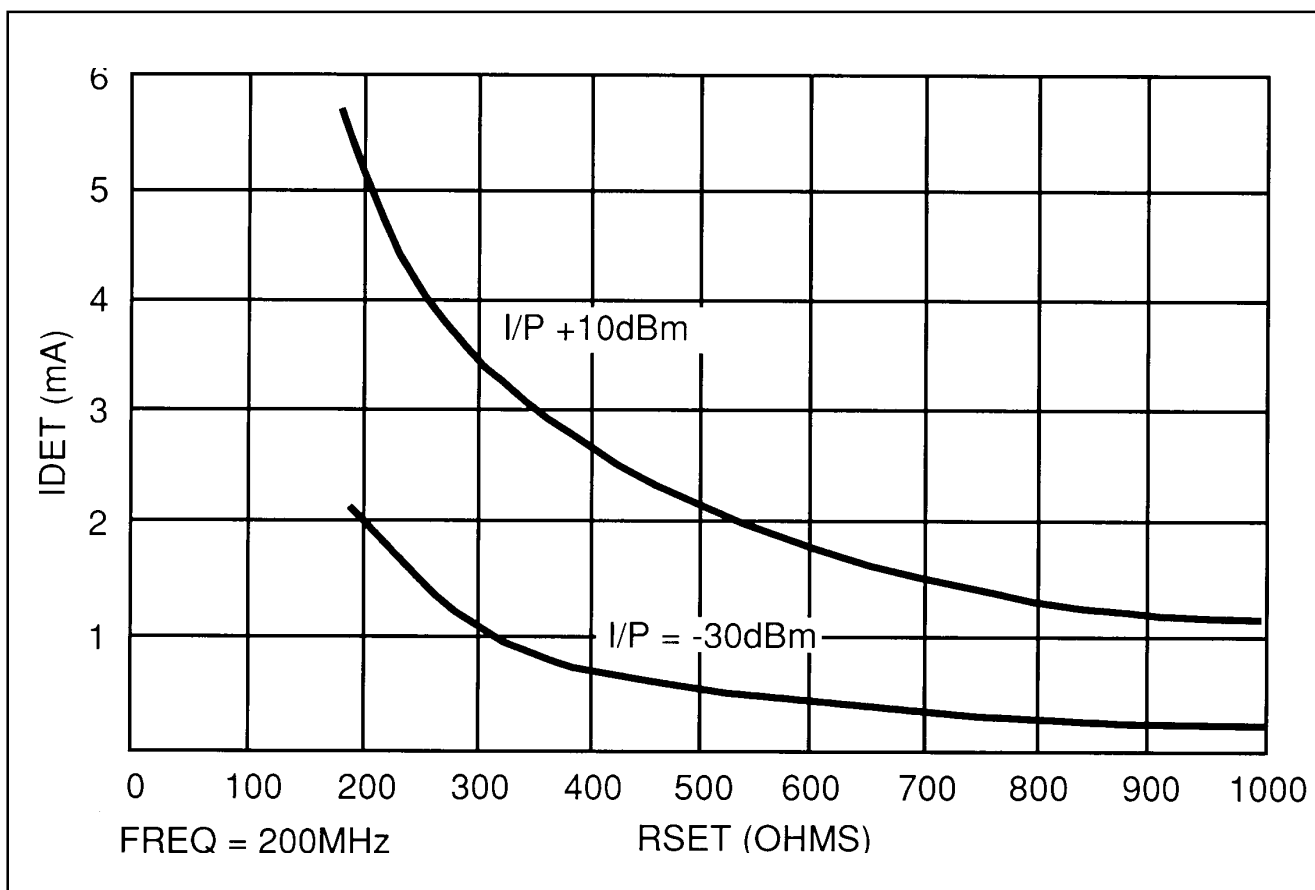


Fig.9 Detector current vs R_{SET} at 200MHz (25°C)

Typical characteristics for a dual - stage amplifier (i.e. One SL2524) cont.

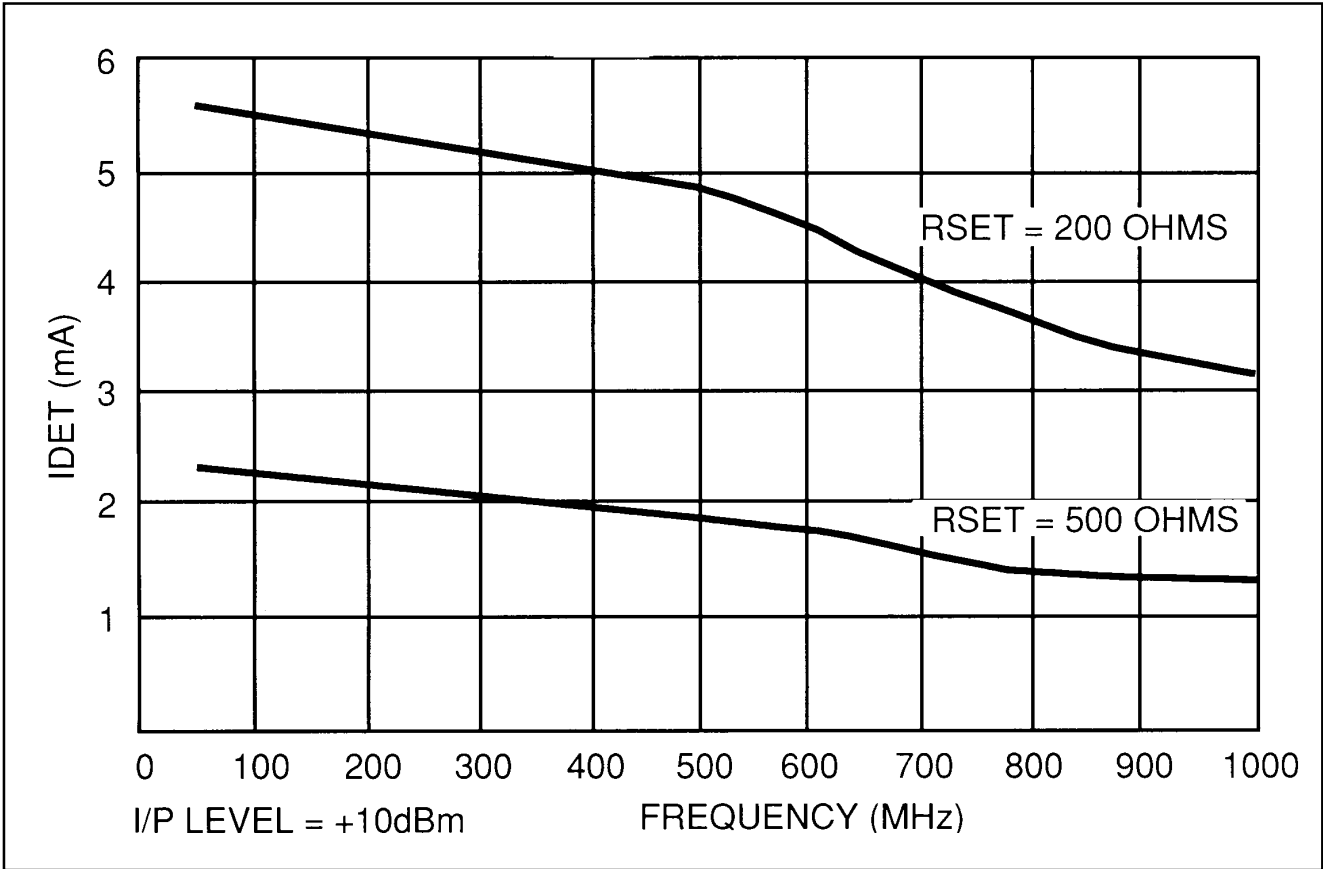


Fig.10 Detector current vs frequency at RSET = 200Ω and 500Ω (25°C)

Typical characteristics for a six stage strip, using detected output (Ref. figs 5 & 6)

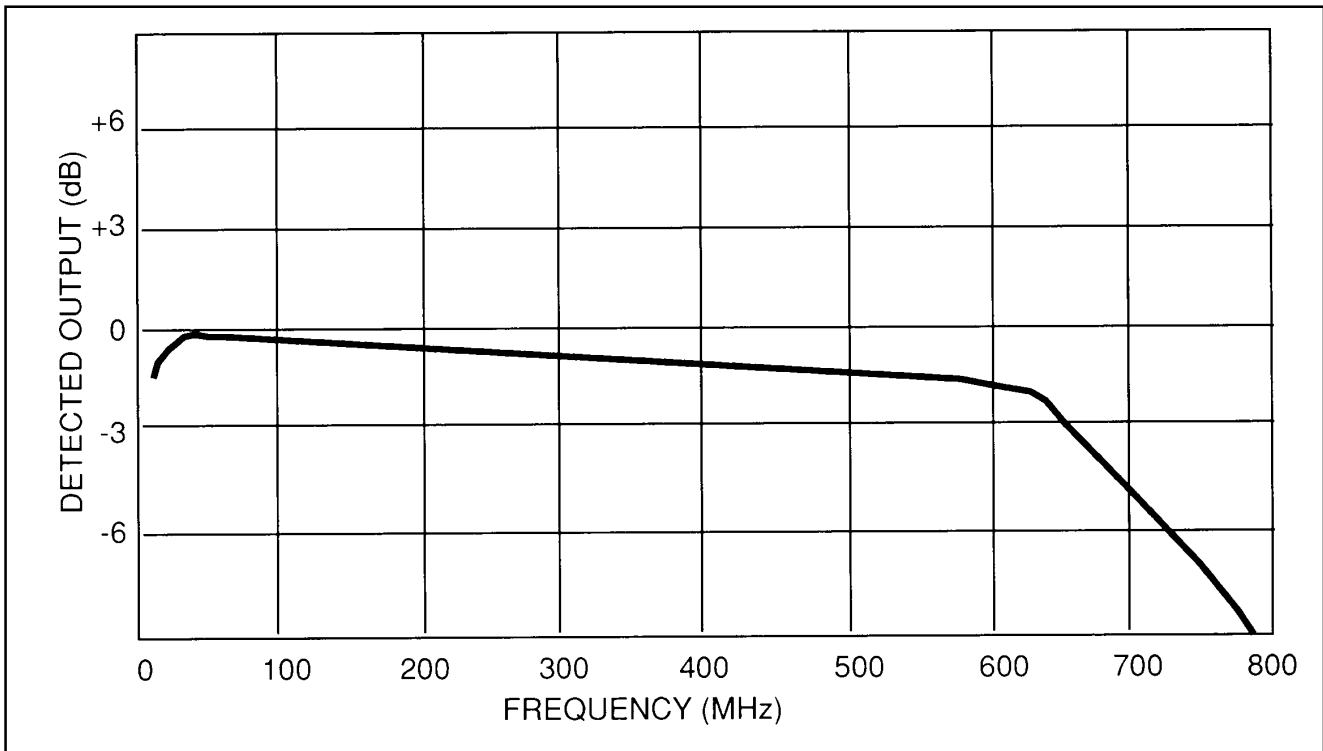


Fig.11 Detector bandwidth (25°C)

Typical characteristics for a six stage strip, using detected output (Ref. figs 5 & 6) cont.

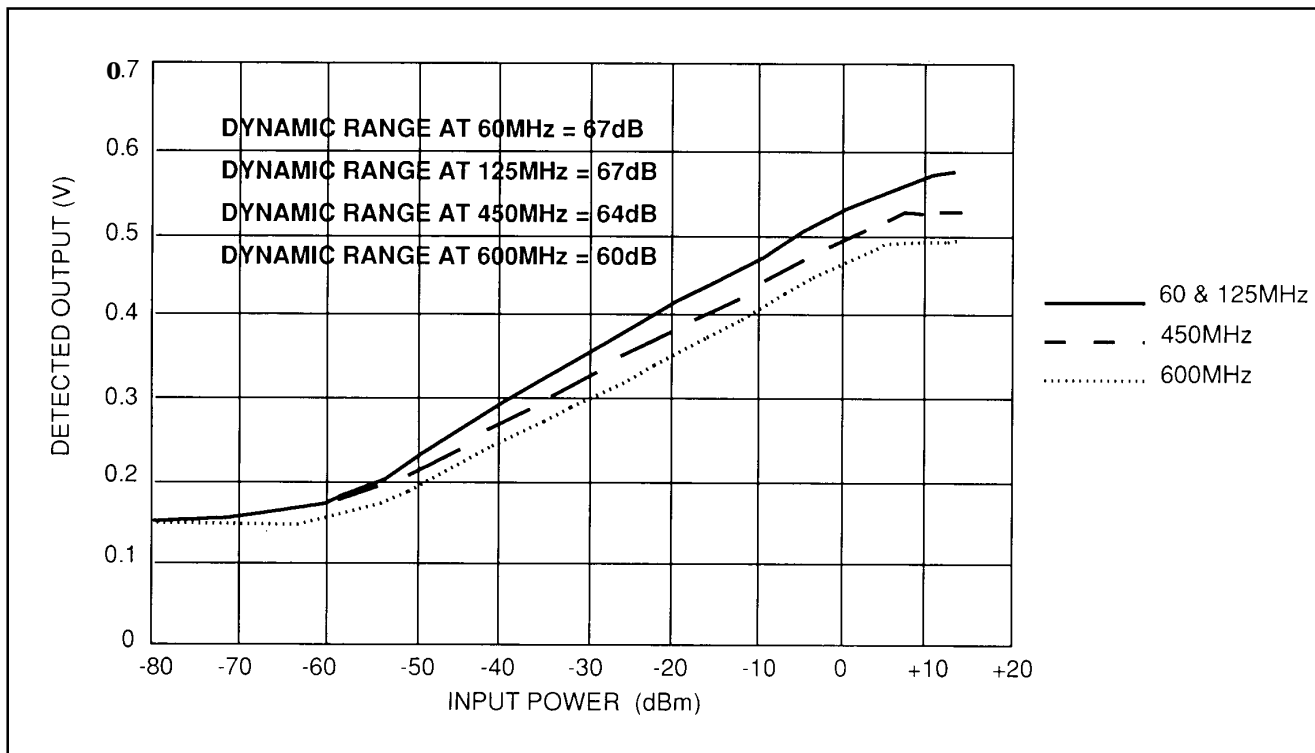


Fig.12 Detected O/P vs CW input at 60, 125, 450 and 600MHz at 25°C

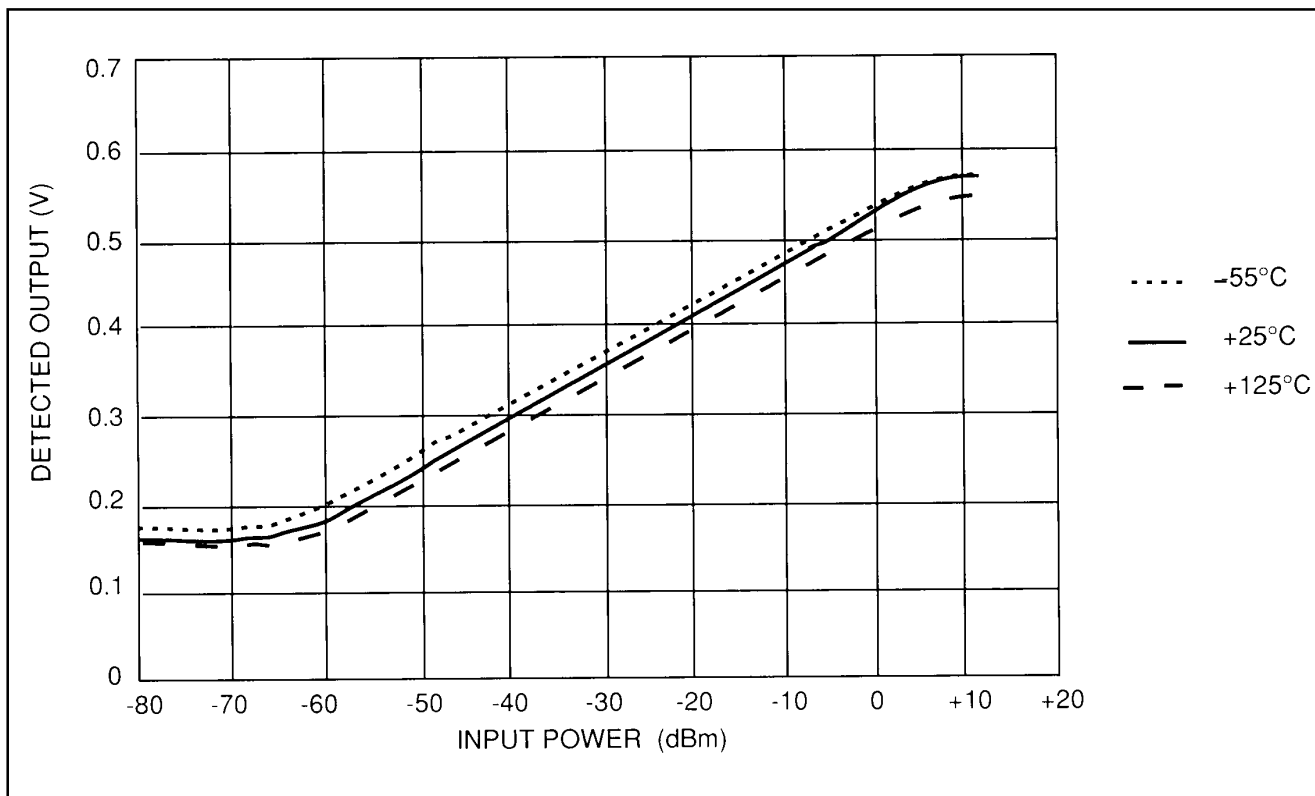


Fig.13 Detected O/P vs CW input level and temperature at 60 and 125MHz

Typical characteristics for a six stage strip, using detected output (Ref. figs 5 & 6) cont.

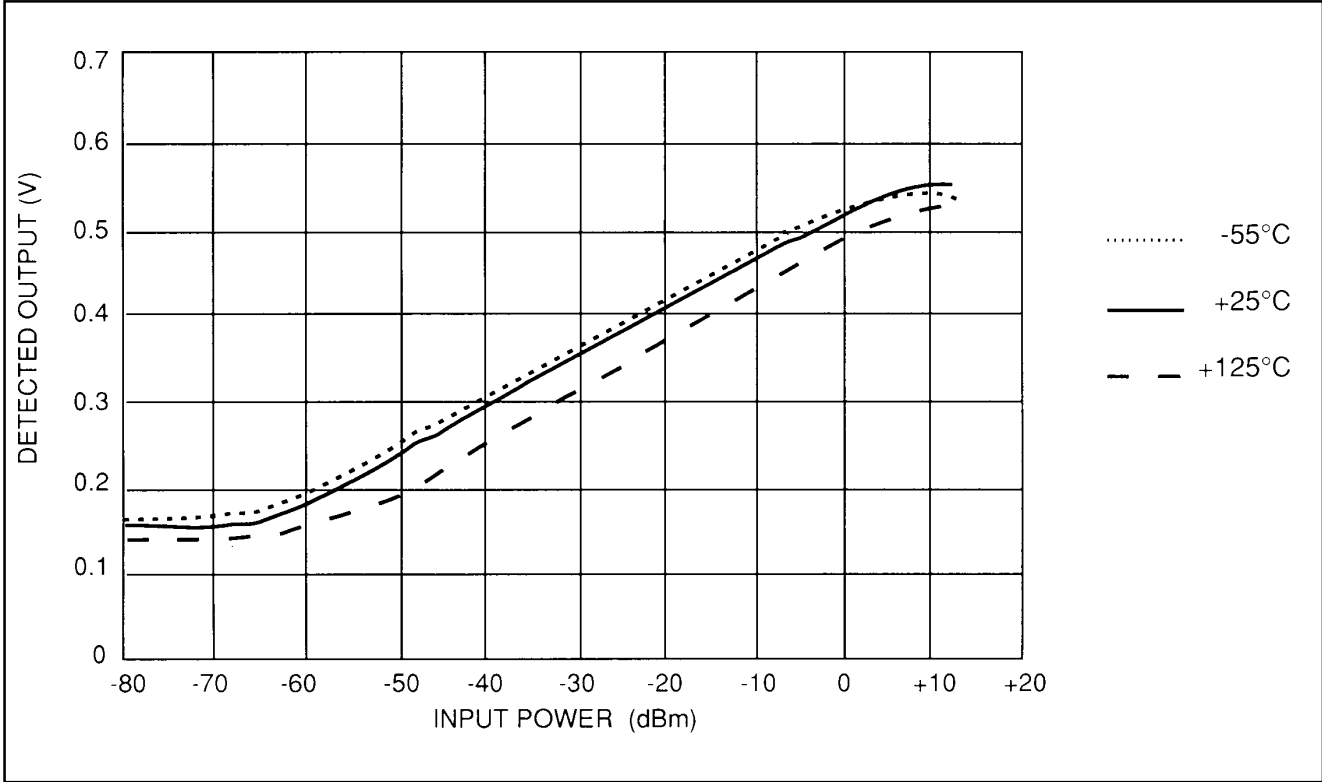


Fig.14 Detected O/P vs CW input level at 450MHz across temperature

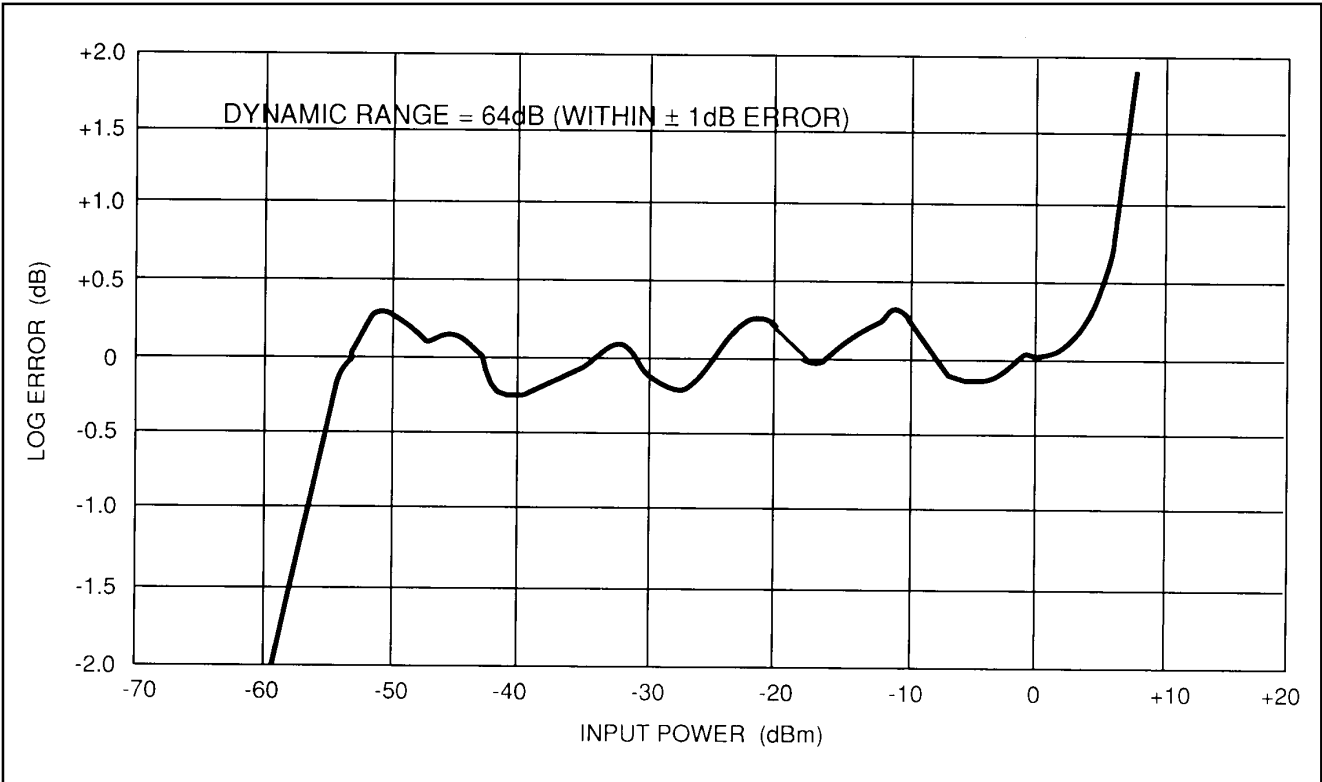


Fig.15 Typical log linearity of detected output measured at 450MHz (25°C)

Typical characteristics for a six stage strip as a low phase shift wideband limiter (Ref. figs 5 & 6)

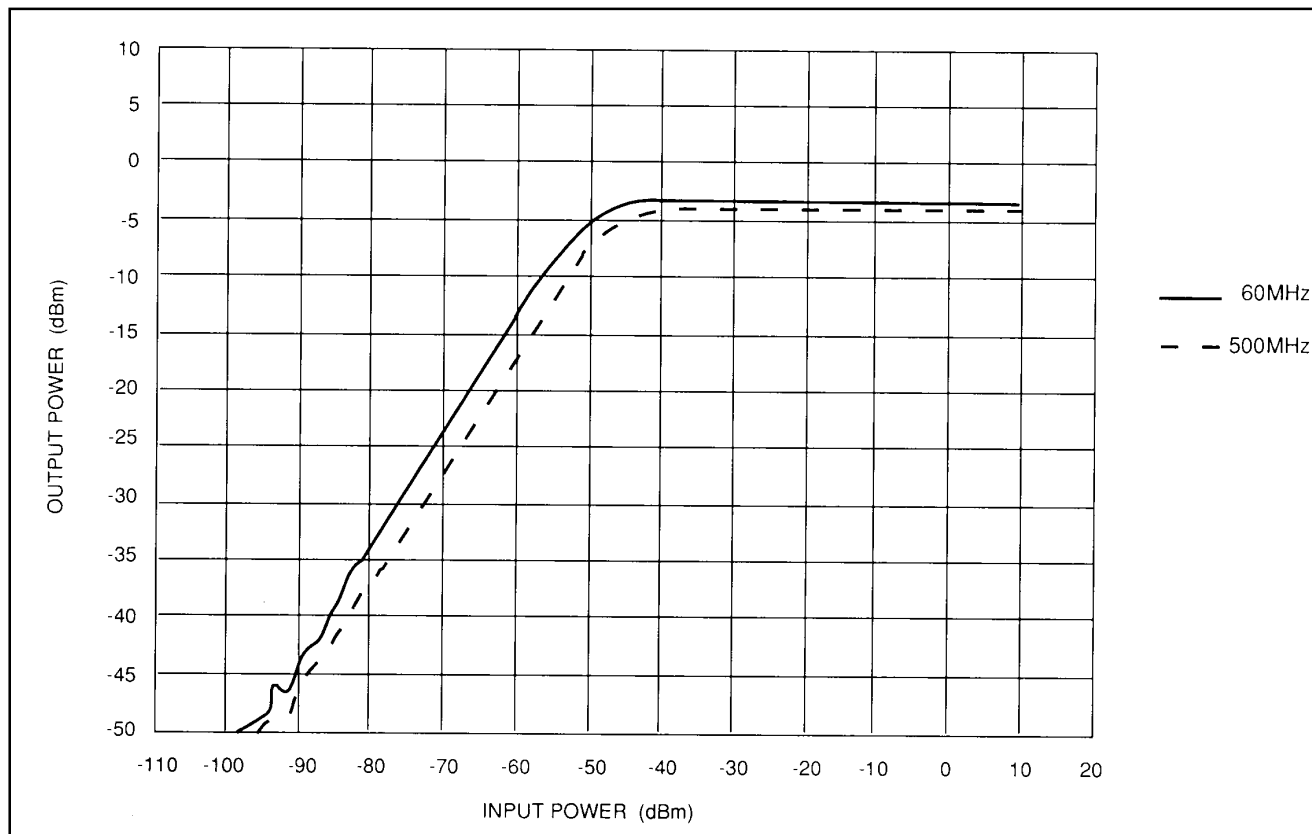


Fig.16 IF limiting characteristics at 60MHz and 500MHz (25°C)

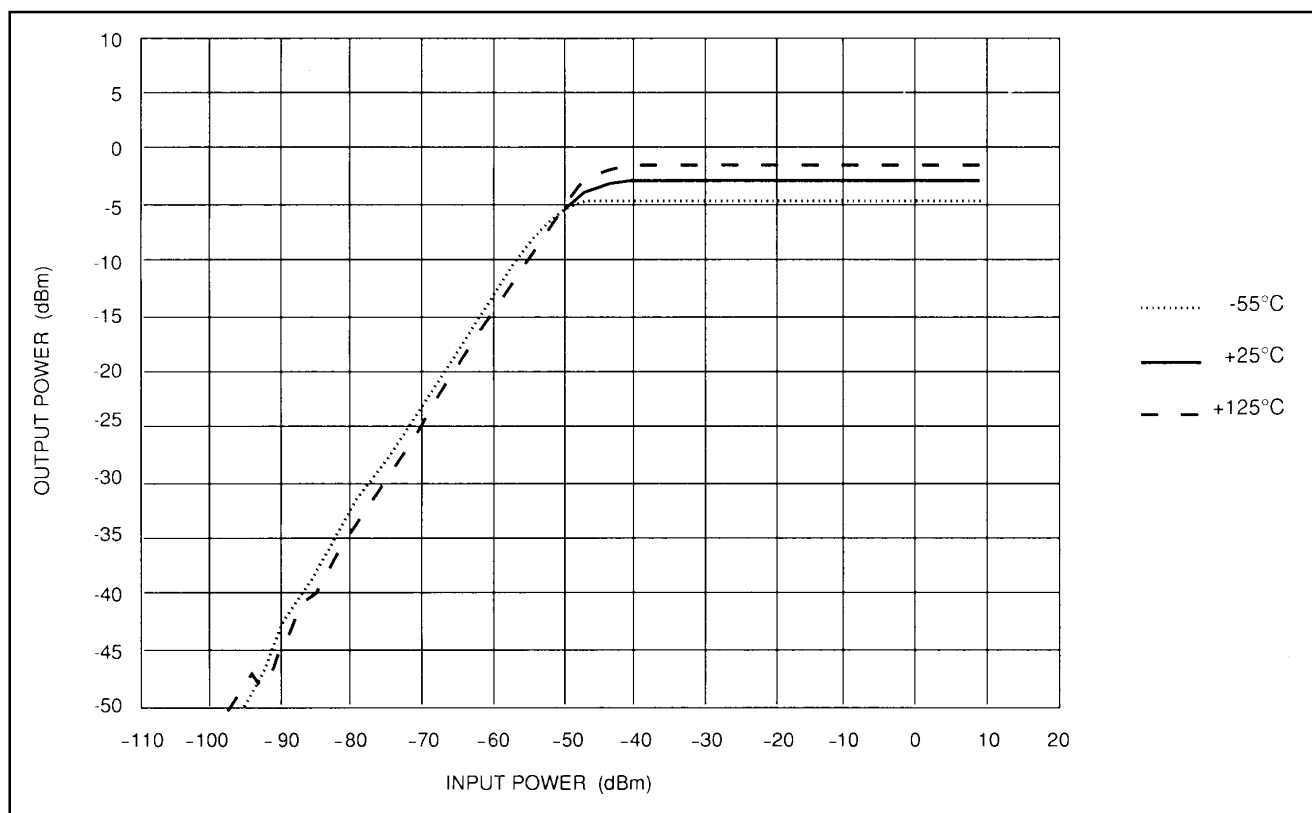


Fig.17 IF limiting characteristic at 60MHz across temperature

Typical characteristics for a six stage strip as a low phase shift wideband limiter (Ref. figs 5 & 6)

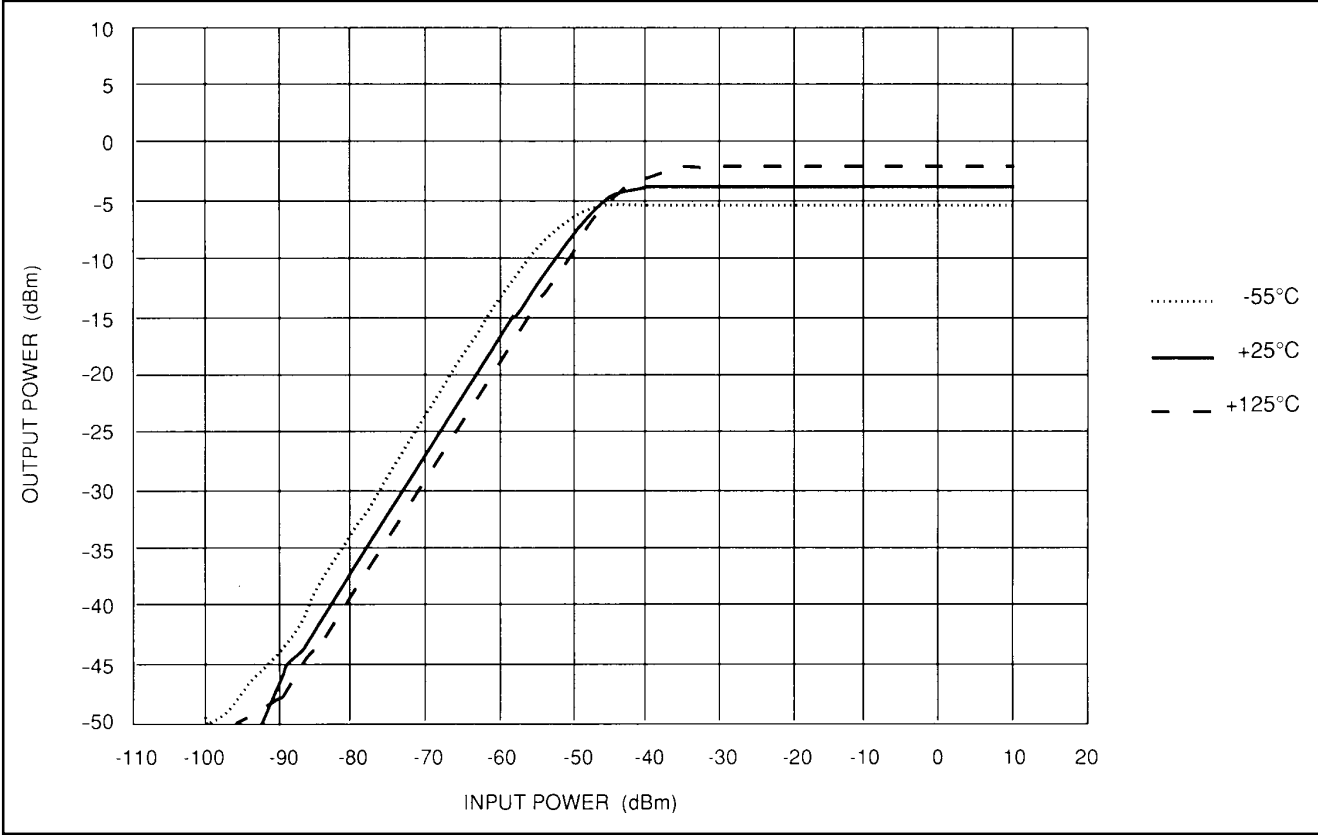


Fig.18 IF limiting characteristic at 500MHz across temperature

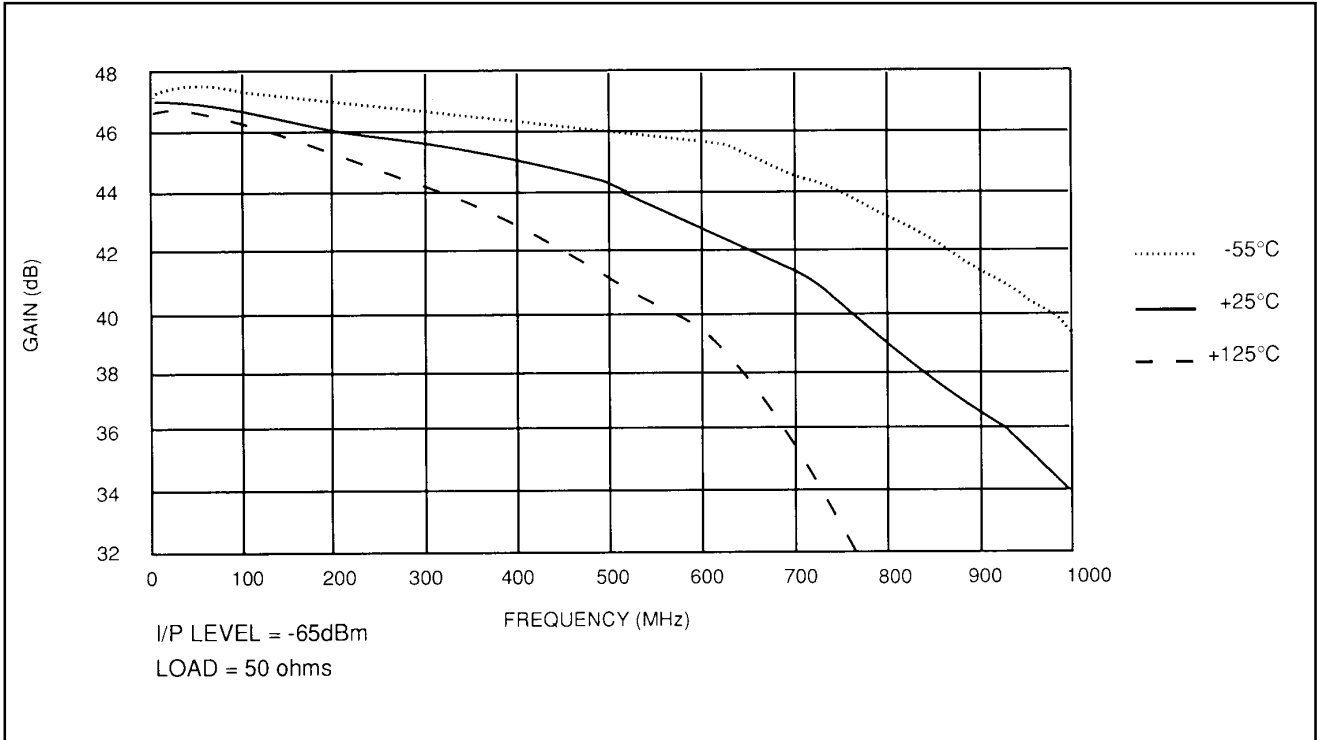


Fig.19 Small signal gain vs frequency across temperature

Typical characteristics for a six stage strip as a low phase shift wideband limiter (Ref. figs 5 & 6)

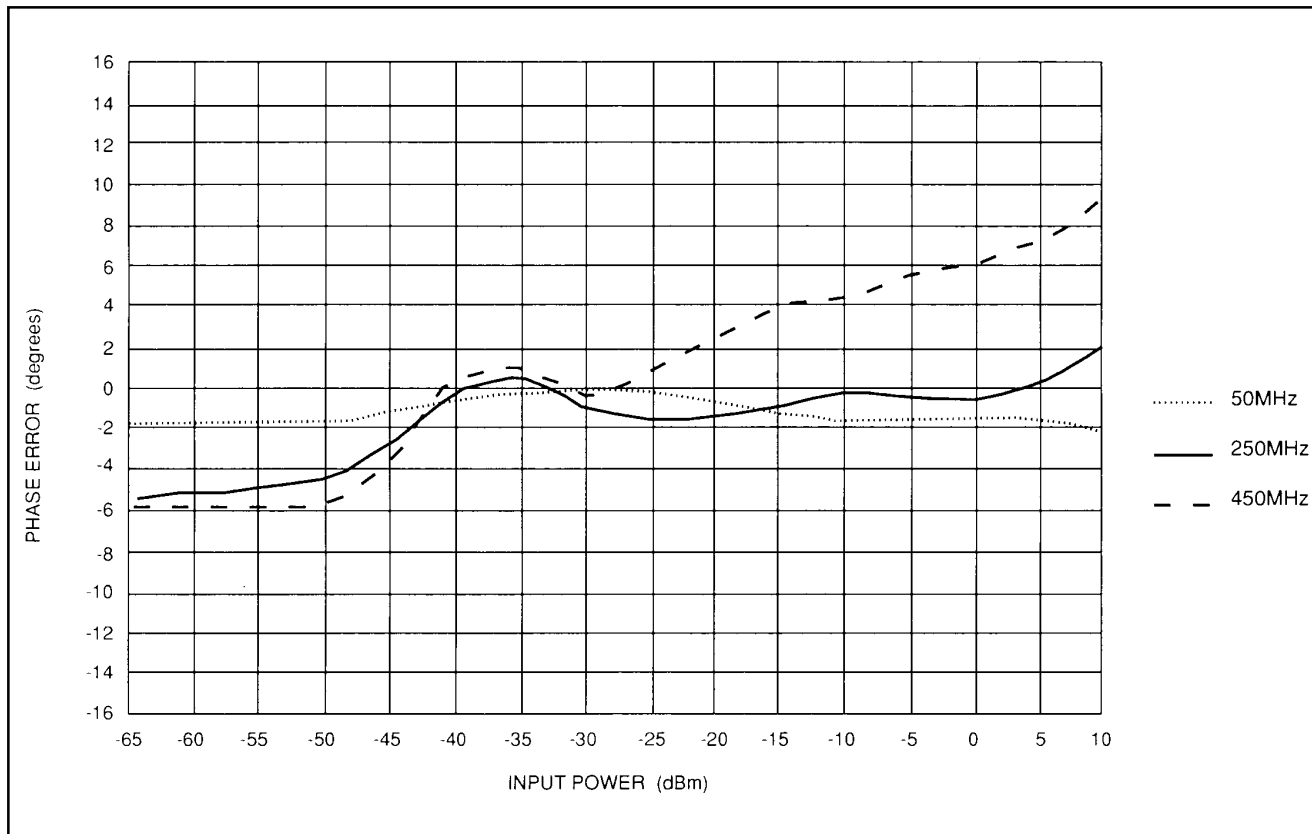


Fig.20 Phase deviation vs CW input level (normalised at -30dBm) at 25°C across input frequency

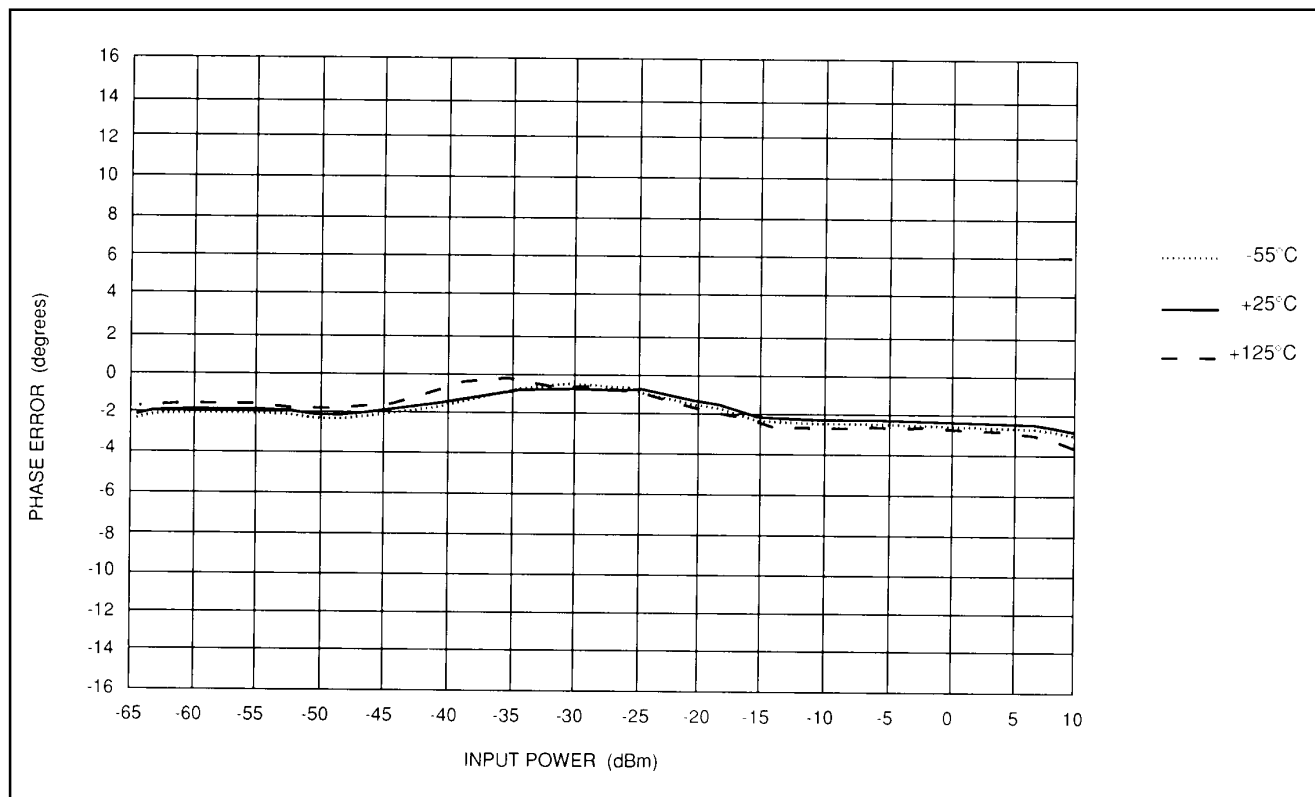


Fig.21 Phase deviation vs CW input level (normalised at -30dBm) at 50MHz across temperature

Typical characteristics for a six stage strip as a low phase shift wideband limiter (Ref. figs 5 & 6)

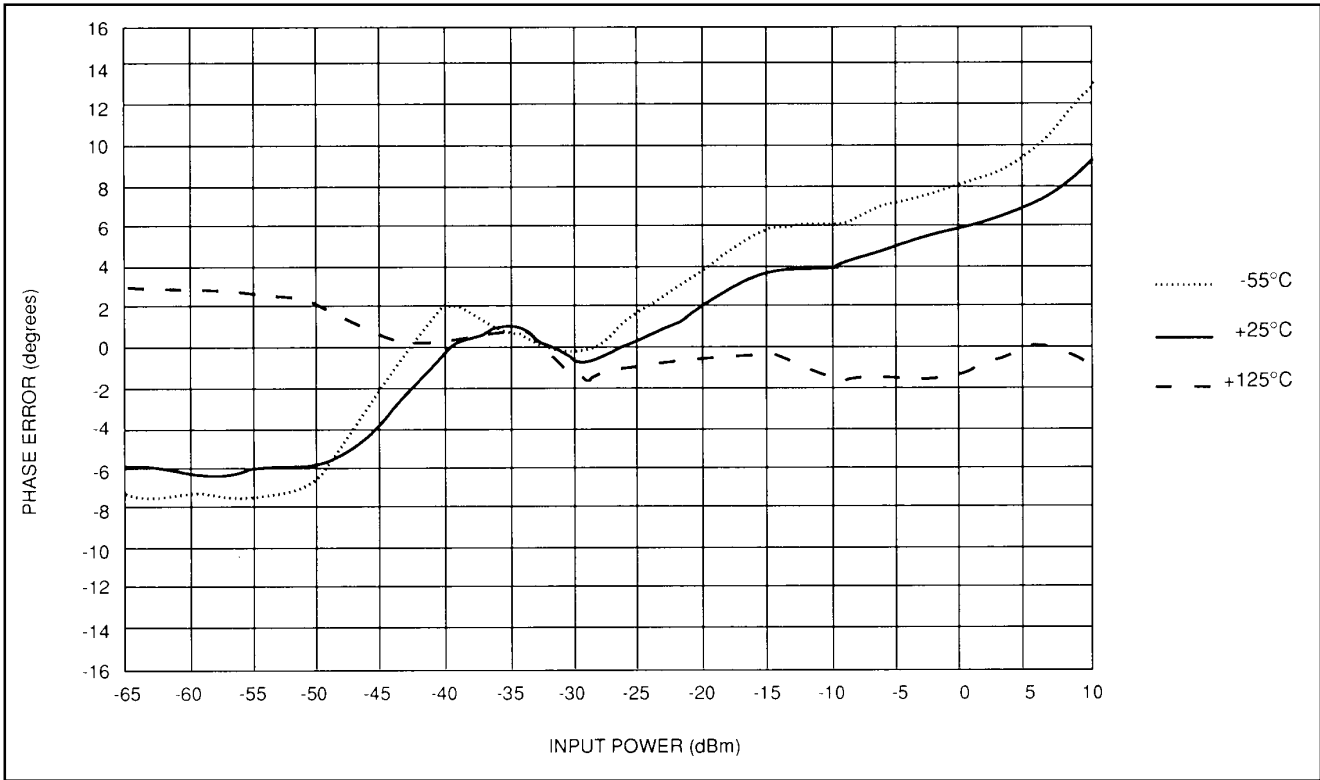


Fig.22 Phase deviation vs CW input level (normalised at -30dBm) at 450MHz across temperature

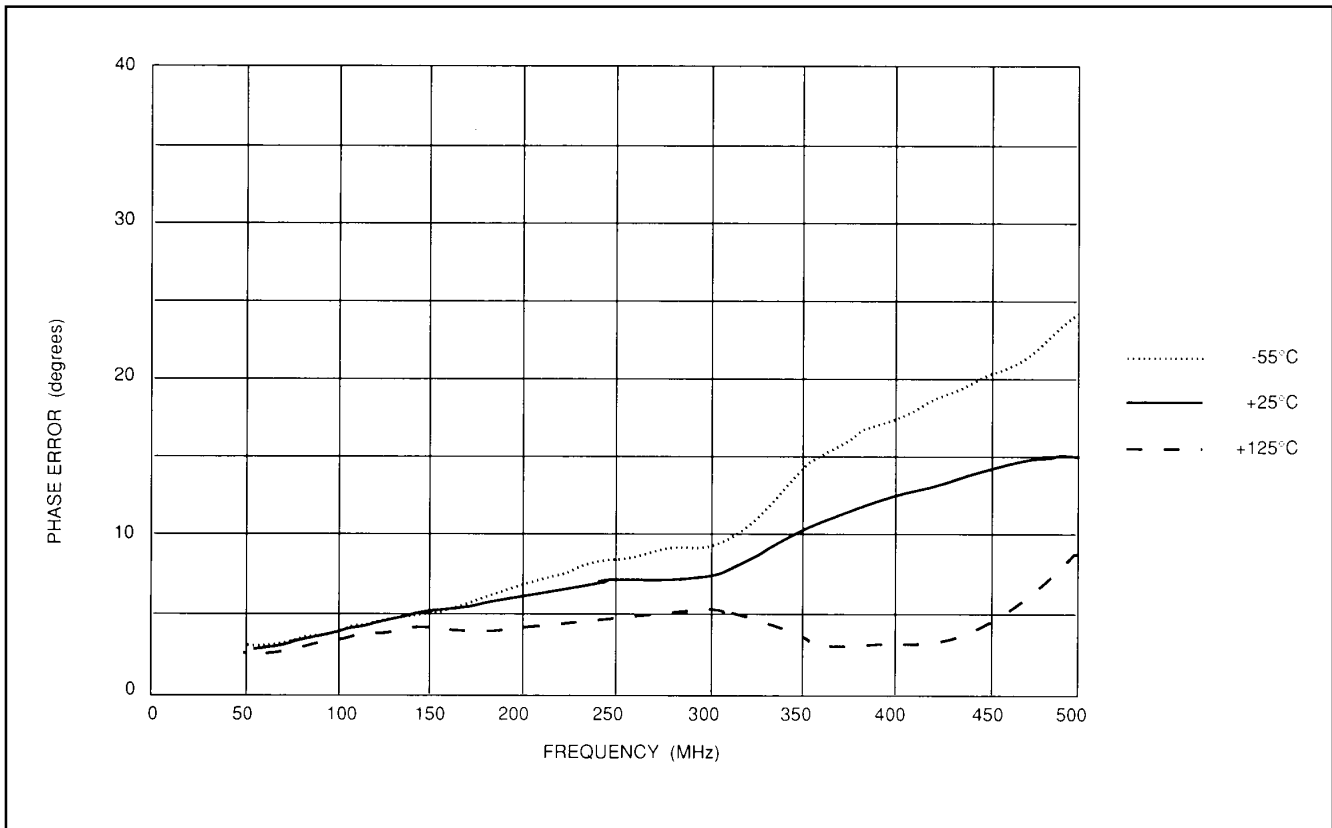
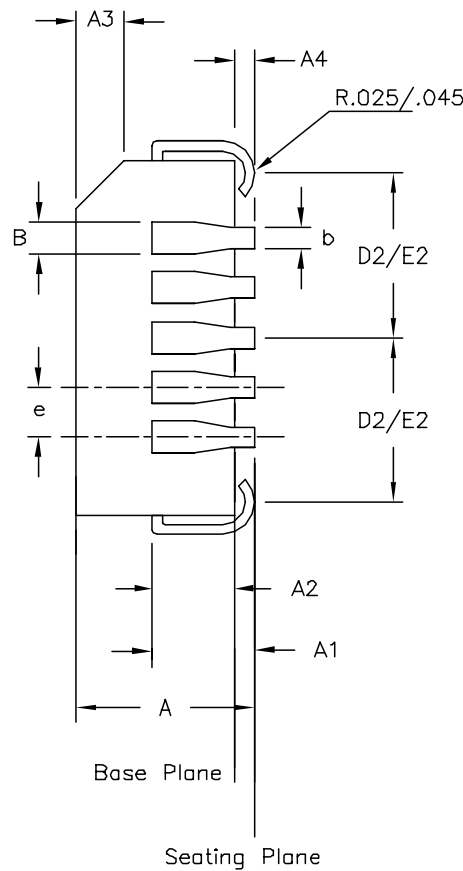
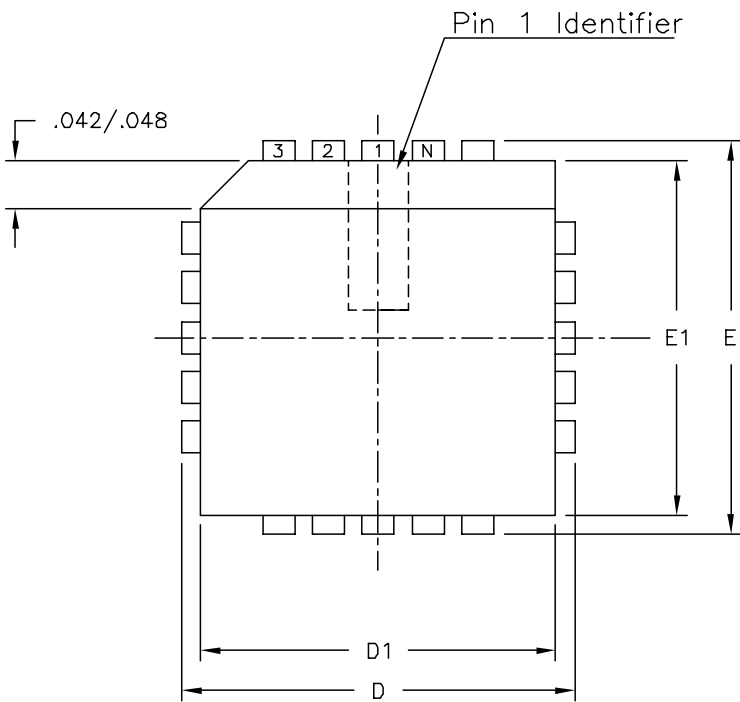


Fig.23 Peak phase deviation over -65dBm → +10dBm CW input level vs CW input frequency. Across temperature



| Symbol | Control Dimensions in inches | | Altern. Dimensions in millimetres | |
|-----------------------------------|---------------------------------|-------|--------------------------------------|-------|
| | MIN | MAX | MIN | MAX |
| A | 0.165 | 0.180 | 4.19 | 4.57 |
| A1 | 0.090 | 0.120 | 2.29 | 3.05 |
| A2 | 0.062 | 0.083 | 1.57 | 2.11 |
| A3 | 0.042 | 0.056 | 1.07 | 1.42 |
| A4 | 0.020 | — | 0.51 | — |
| D | 0.385 | 0.395 | 9.78 | 10.03 |
| D1 | 0.350 | 0.356 | 8.89 | 9.04 |
| D2 | 0.141 | 0.169 | 3.58 | 4.29 |
| E | 0.385 | 0.395 | 9.78 | 10.03 |
| E1 | 0.350 | 0.356 | 8.89 | 9.04 |
| E2 | 0.141 | 0.169 | 3.58 | 4.29 |
| B | 0.026 | 0.032 | 0.66 | 0.81 |
| b | 0.013 | 0.021 | 0.33 | 0.53 |
| e | 0.050 | BSC | 1.27 | BSC |
| Pin features | | | | |
| ND | 5 | | | |
| NE | 5 | | | |
| N | 20 | | | |
| Note | Square | | | |
| Conforms to JEDEC MS-018AA Iss. A | | | | |

Notes:

1. All dimensions and tolerances conform to ANSI Y14.5M-1982
2. Dimensions D1 and E1 do not include mould protrusions. Allowable mould protrusion is 0.010" per side. Dimensions D1 and E1 include mould protrusion mismatch and are determined at the parting line, that is D1 and E1 are measured at the extreme material condition at the upper or lower parting line.
3. Controlling dimensions in Inches.
4. "N" is the number of terminals.
5. Not To Scale
6. Dimension R required for 120° minimum bend.

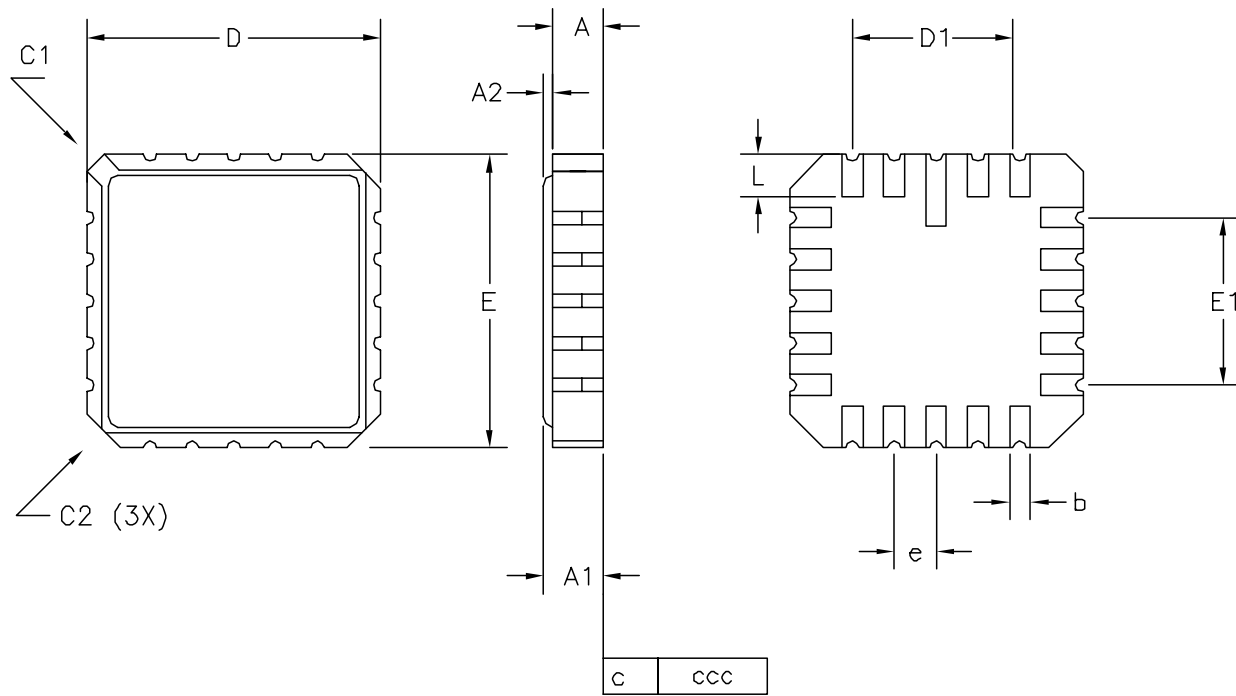
| | | | | | |
|-------|---------|---------|--|--|--|
| ISSUE | 1 | 2 | | | |
| ACN | 5958 | 207468 | | | |
| DATE | 15AUG94 | 10SEP99 | | | |
| APPD. | | | | | |

MITEL SEMICONDUCTOR

Title: Package Outline for
20 Lead PLCC

Drawing Number

GPD00001



| CONTROL DIMENSIONS (inch) | | | |
|-----------------------------|----------|------|-------|
| SYMBOL | MIN. | NOM. | MAX. |
| A | 0.054 | | 0.066 |
| A1 | 0.064 | | 0.080 |
| A2 | 0.010 | | 0.014 |
| D | 0.342 | | 0.358 |
| D2 | 0.315REF | | |
| E | 0.342 | | 0.358 |
| E2 | 0.315REF | | |
| e | 0.050BSC | | |
| b | 0.025 | | |
| C1 | 0.020 | | |
| C2 | 0.040 | | |
| L | 0.045 | | 0.055 |
| L1 | 0.077 | | 0.093 |
| R1 | 0.007 | | 0.011 |
| ccc | | | .003 |

Complies with Jeduc MS004-CB
Supersedes 418/ED/39509/102

© Mitel (1998) All rights reserved.

ORIGINATING SITE: Swindon

| | | | | | |
|----------|---------|--|--|--|--|
| ISSUE | 1 | | | | |
| ACN | 205177 | | | | |
| DATE | 28SEP98 | | | | |
| APPROVED | | | | | |

MITEL SEMICONDUCTOR

Title: Customer Outline Drawing for
20 Ceramic Leadless Chip Carrier
(0.35 x 0.35 x 0.08"), 0.05" pitch

Drawing Number

GPD00562



<http://www.mitelsemi.com>

World Headquarters - Canada

Tel: +1 (613) 592 2122
Fax: +1 (613) 592 6909

North America

Tel: +1 (770) 486 0194
Fax: +1 (770) 631 8213

Asia/Pacific

Tel: +65 333 6193
Fax: +65 333 6192

**Europe, Middle East,
and Africa (EMEA)**

Tel: +44 (0) 1793 518528
Fax: +44 (0) 1793 518581

Information relating to products and services furnished herein by Mitel Corporation or its subsidiaries (collectively "Mitel") is believed to be reliable. However, Mitel assumes no liability for errors that may appear in this publication, or for liability otherwise arising from the application or use of any such information, product or service or for any infringement of patents or other intellectual property rights owned by third parties which may result from such application or use. Neither the supply of such information or purchase of product or service conveys any license, either express or implied, under patents or other intellectual property rights owned by Mitel or licensed from third parties by Mitel, whatsoever. Purchasers of products are also hereby notified that the use of product in certain ways or in combination with Mitel, or non-Mitel furnished goods or services may infringe patents or other intellectual property rights owned by Mitel.

This publication is issued to provide information only and (unless agreed by Mitel in writing) may not be used, applied or reproduced for any purpose nor form part of any order or contract nor to be regarded as a representation relating to the products or services concerned. The products, their specifications, services and other information appearing in this publication are subject to change by Mitel without notice. No warranty or guarantee express or implied is made regarding the capability, performance or suitability of any product or service. Information concerning possible methods of use is provided as a guide only and does not constitute any guarantee that such methods of use will be satisfactory in a specific piece of equipment. It is the user's responsibility to fully determine the performance and suitability of any equipment using such information and to ensure that any publication or data used is up to date and has not been superseded. Manufacturing does not necessarily include testing of all functions or parameters. These products are not suitable for use in any medical products whose failure to perform may result in significant injury or death to the user. All products and materials are sold and services provided subject to Mitel's conditions of sale which are available on request.

M Mitel (design) and ST-BUS are registered trademarks of MITEL Corporation
Mitel Semiconductor is an ISO 9001 Registered Company
Copyright 1999 MITEL Corporation
All Rights Reserved
Printed in CANADA

TECHNICAL DOCUMENTATION - NOT FOR RESALE