

www.datasheet4u.com



UL, C-UL File No.:E190598
TUV File No.:R50032402
CQC File No.:CQC02001002109

- High switching capacity-30A for 1 Form A(B).
- Sealed type available.
- Initial breakdown voltage 5KV available.

SPECIFICATIONS

Contact

Contact material	Silver alloy		
Contact resistance (By voltage drop 1A 6VDC)	50 mΩ Max.		
Arrangement	1a,1b	1c	
		N.O:	N.C:
UL/C-UL rating	30A 240VAC	20A 240VAC	10A 240VAC
Resistance load (cos φ =1)	30A 240VAC	20A 240VAC	10A 240VAC
Inductive load (Cos φ =0.75~0.8)	15A 240VAC	10A 240VAC	10A 240VAC
	1-1/2HP 240VAC	1-1/2HP 240VAC	1/2HP 240VAC
Motor load	3/4HP 120VAC	3/4HP 125VAC	1/4HP 125VAC
TUV rating	1a: 30A 240VAC 1b: 15A 240VAC	20A 240VAC	10A 240VAC
CQC rating	30A 250VAC	20A 250VAC	10A 250VAC
Max.switching current	30A	20A	10A
Max.switching power	7,200VA	4,800VA	2,400VA
Max.switching voltage	250VAC		
Expected Life (min.ope)	Mechanical (at 120 cpm)	1X10 ⁷	
	Electrical (at 20 cpm)	1X10 ⁵	

Characteristics

Operate time	15msec. Max.	
Release time	10msec. Max.	
Operating humidity	45~85% RH	
Initial breakdown voltage	Between contact and coil	1,500VAC (50/60Hz) for 1 min. 5,000VAC (50/60Hz) for 1 min.
	Between open contacts	1,500VAC (50/60Hz) for 1 min.
Insulation resistance	1,000MΩ Min.(500VDC)	
Ambient temperature	-40℃ ~ +85℃	
Shock resistance	Functional	10G Min.
	Destructive	100G Min.
Vibration resistance	Functional	10 TO 55 Hz at double Amplitude of 1.5mm
	Destructive	10 TO 55 Hz at double Amplitude of 1.5mm
Unit weight	Open type	Approx. 20g
	Sealed type	Approx. 25g

Coil

Nominal operating power	0.90W
-------------------------	-------

TYPICAL APPLICATIONS

1. Automotive
2. Air conditioner
3. Heat & ventilation equipment
4. Home appliance.ect.

ORDERING INFORMATION

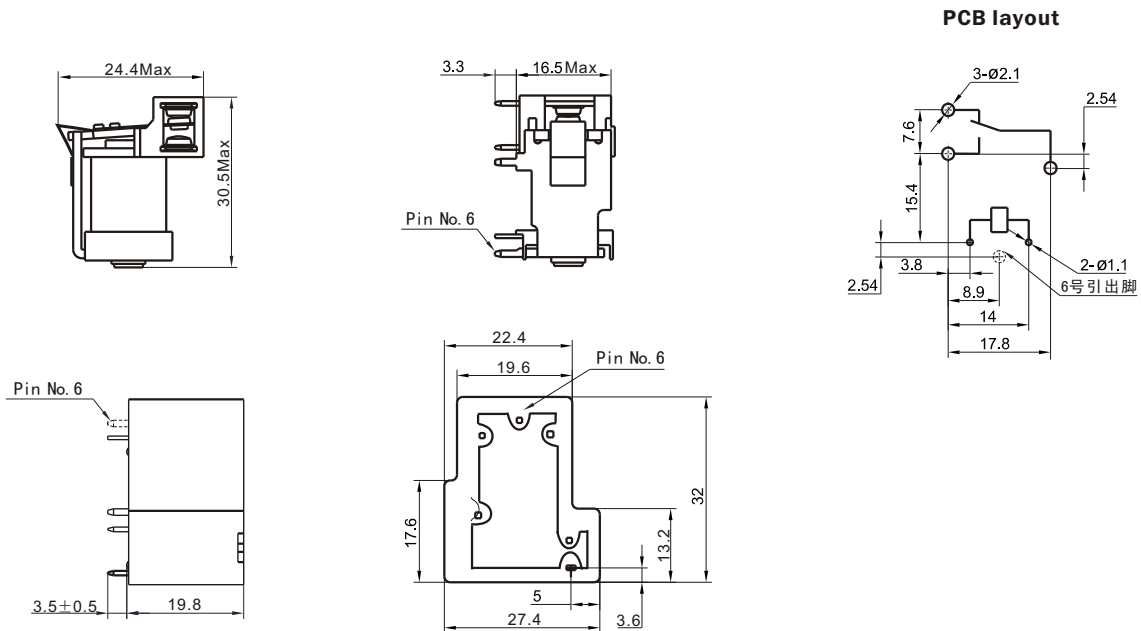
<div style="text-align: center;"> </div>					
Type	Protective construction	Number of poles	Coil voltage	Coil sensitivity	Contact form
SLA	NIL:Open type S:Sealed type	1:1 pole	05,06,09,12,15, 18,24,48,110	DC:0.9W	M:1 Form A B:1 Form B Nil:1 Form C

COIL(at 20°C)

SLA

Voltage code	Nominal voltage (VDC)	Nominal current (mA)	Coil resistance ($\Omega \pm 10\%$)	Drop-out voltage (VDC)	Pick-up voltage (VDC)	Nominal operating power (W)	Max allowable voltage (VDC)
05	5	185.19	27	5%Min.	75%Max.	Abt.0.9	110% of nominal voltage
06	6	150.00	40				
09	9	100.00	90				
12	12	75.00	160				
15	15	60.00	250				
18	18	50.00	360				
24	24	37.50	640				
48	48	18.75	2,560				
110	110	8.21	13,400				

OUTLINE DIMENSIONS, WIRING DIAGRAM AND PC BOARD LAYOUT(unit:mm)



CHARACTERISTICS CURVE

