

SLA1008

T-43-24

Diode Array

Maximum Ratings

(Ta = 25°C)

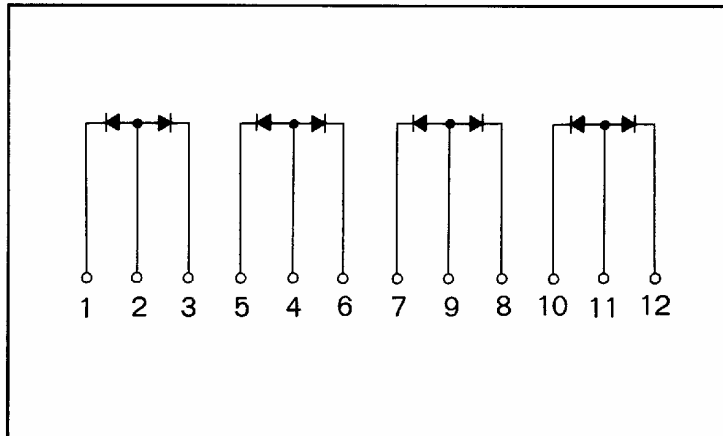
Item	Symbol	Rating	Unit
Forward Current	I_o	0.7(Ta = 25°C)	A
Forward Current	I_o	2.5(Tc = 25°C)	A
Peak Forward Current	I_{FSM}	8(Pw ≤ 1ms, Single)	A
Reverse Voltage	V_R	120	V
Total Power Dissipation	P_T	5 (Ta = 25°C)	W
		25 (Tc = 25°C)	
Insulation Breakdown Voltage	V_{iso}	1000 (between fin and lead pin, AC)	Vrms
Storage Temperature	T_{stg}	-40 ~ +150	°C
Thermal Resistance	θ_{j-c}	5	°C/W

Electrical Characteristics

(Ta = 25°C)

Item	Symbol	Conditions	Specification			Unit
			min	typ	max	
Reverse Voltage	V_R	$I_R = 10\mu A$	120			V
Forward Voltage	V_F	$I_F = 1A$			1.2	V
Reverse Current	I_R	$V_R = 120V$			10	μA
Reverse Recovery Time	t_{rr}	$I_F \pm 100mA$		100		ns

Equivalent Circuit Diagram

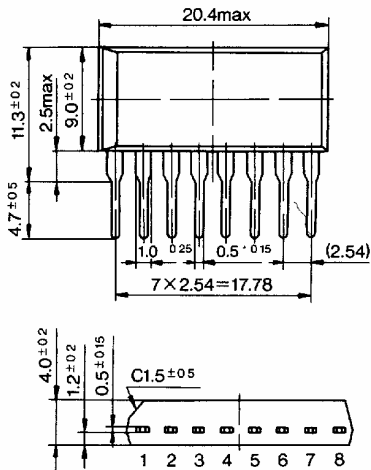


Notes on using products

Outline Drawings (Unit:in mm)

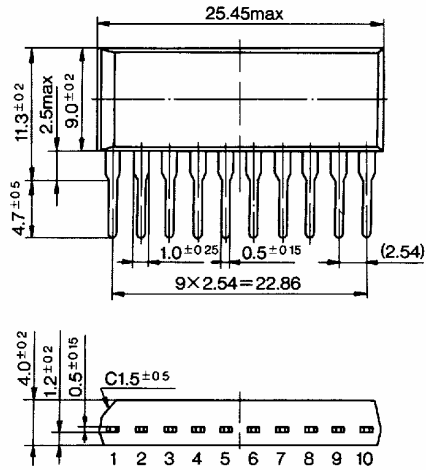
STA Family

STA300 Series



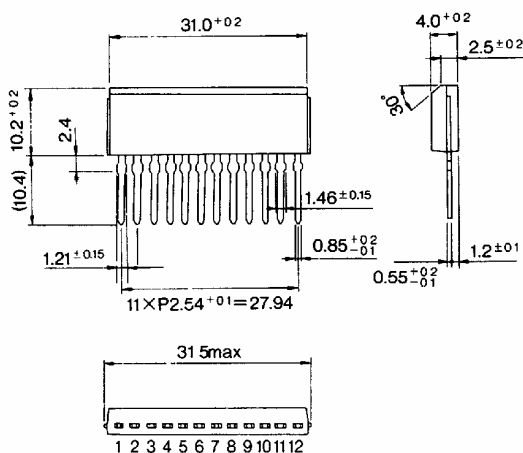
Weight Approx. 2.0g

STA400 Series



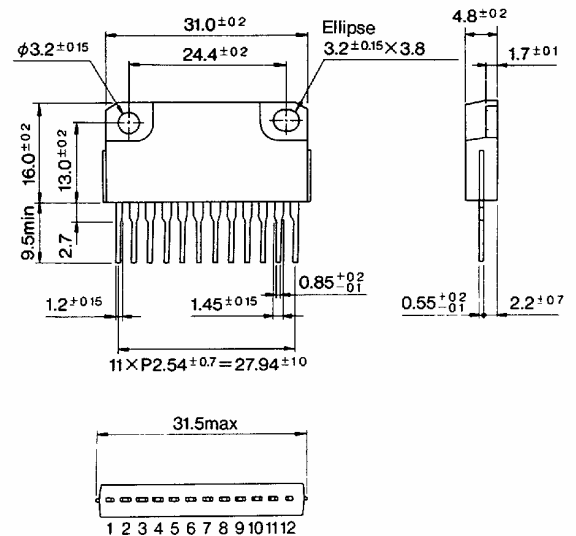
Weight Approx. 2.6g

SMA Family



Weight Approx. 4.0g

SLA Family



Weight Approx. 6.0g