

CN363 Smart Power on/off Sequence Controller

General Description

Renesas SLG7RN46137 is a low power and small form device. The SoC is housed in a 1.6mm x 1.6mm STQFN package which is optimal for using with small devices.

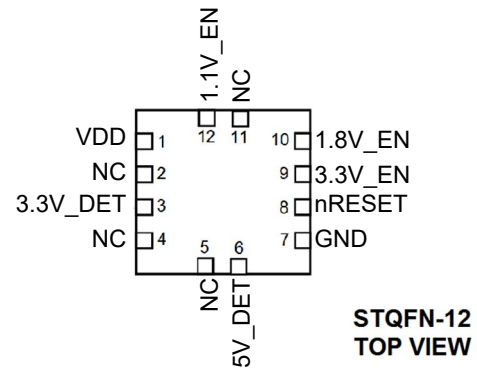
Features

- Low Power Consumption
- Pb - Free / RoHS Compliant
- Halogen - Free
- STQFN - 12 Package

Output Summary

1 Output - Open Drain NMOS 2X
 3 Outputs - Push Pull 2X

Pin Configuration



CN363 Smart Power on/off Sequence Controller

Pin Configuration

Pin #	Pin Name	Type	Pin Description	Internal Resistor
1	VDD	PWR	Supply Voltage	--
2	NC	--	Keep Floating or Connect to GND	--
3	3.3V_DET	Analog Input/Output	Analog Input/Output	floating
4	NC	--	Keep Floating or Connect to GND	--
5	NC	--	Keep Floating or Connect to GND	--
6	5V_DET	Analog Input/Output	Analog Input/Output	floating
7	GND	GND	Ground	--
8	nRESET	Digital Output	Open Drain NMOS 2X	floating
9	3.3V_EN	Digital Output	Push Pull 2X	floating
10	1.8V_EN	Digital Output	Push Pull 2X	floating
11	NC	--	Keep Floating or Connect to GND	--
12	1.1V_EN	Digital Output	Push Pull 2X	floating

Ordering Information

Part Number	Package Type
SLG7RN46137V	V=STQFN-12
SLG7RN46137VTR	STQFN-12 – Tape and Reel (3k units)

1. Use SLG7RN46137V to order. Shipments are automatically in Tape and Reel.
2. "TR" suffix is no longer used. It is a legacy naming convention shown here only for informational purposes.

CN363 Smart Power on/off Sequence Controller

Absolute Maximum Conditions

Parameter	Min.	Max.	Unit
Supply Voltage on VDD relative to GND	-0.5	7	V
DC Input Voltage	GND - 0.5V	VDD + 0.5V	V
Maximum Average or DC Current (Through pin)	Push-Pull 2x	17	mA
	OD 2x	28	
Current at Input Pin	-1.0	1.0	mA
Input leakage (Absolute Value)	--	1000	nA
Storage Temperature Range	-65	150	° C
Junction Temperature	--	150	° C
ESD Protection (Human Body Model)	2000	--	V
ESD Protection (Charged Device Model)	1000	--	V
Moisture Sensitivity Level	1		

Electrical Characteristics

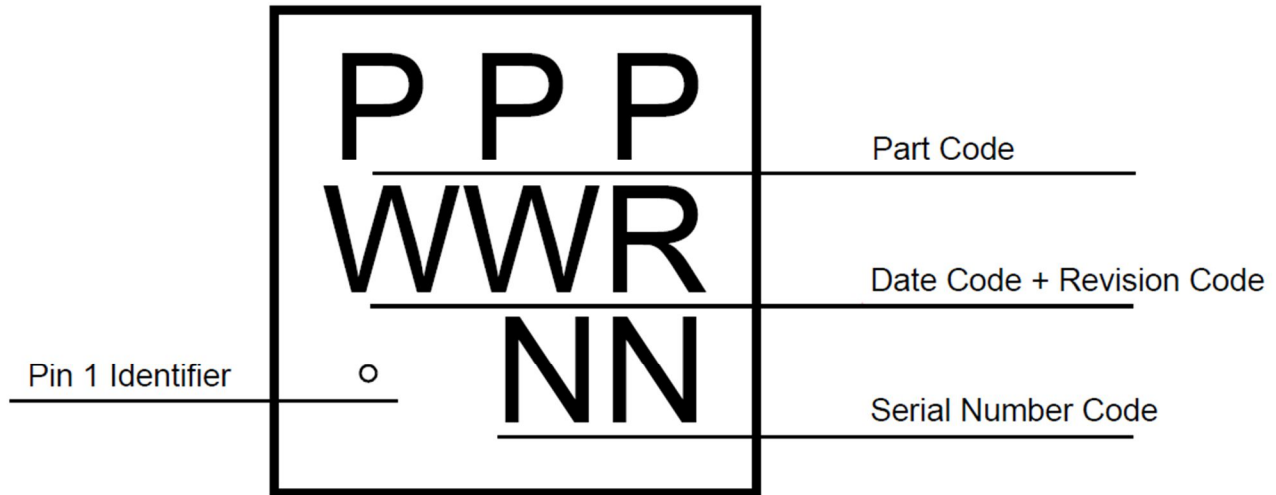
Symbol	Parameter	Condition/Note	Min.	Typ.	Max.	Unit
V _{DD}	Supply Voltage		2	5	5.5	V
T _A	Operating Temperature		-40	25	85	° C
C _{VDD}	Capacitor Value at VDD		--	0.1	--	μF
C _{IN}	Input Capacitance		--	4	--	pF
I _Q	Quiescent Current	Static inputs and floating outputs	--	72	--	μA
V _O	Maximal Voltage Applied to any PIN in High-Impedance State		--	--	VDD	V
I _{VDD}	Maximum Average or DC Current Through VDD Pin (Per chip side, see Note 2)	T _J = 85°C	--	--	73	mA
		T _J = 110°C	--	--	35	mA
I _{GND}	Maximum Average or DC Current Through GND Pin (Per chip side, see Note 2)	T _J = 85°C	--	--	92	mA
		T _J = 110°C	--	--	44	mA
V _{OH}	HIGH-Level Output Voltage	Push-Pull 2X, Open Drain PMOS 2X, I _{OH} =100μA, at VDD=1.8V	1.702	1.8	--	V
		Push-Pull 2X, Open Drain PMOS 2X, I _{OH} =3mA, at VDD=3.3V	2.87	3.19	--	V
		Push-Pull 2X, Open Drain PMOS 2X, I _{OH} =5mA, at VDD=5.0V	4.3	4.86	--	V
V _{OL}	LOW-Level Output Voltage	Push-Pull 2X, I _{OL} =100μA, at VDD=1.8V	--	0.01	0.02	V
		Push-Pull 2X, I _{OL} =3mA, at VDD=3.3V	--	0.09	0.13	V
		Push-Pull 2X, I _{OL} =5mA, at VDD=5.0V	--	0.12	0.16	V
		Open Drain NMOS 2X, I _{OL} =100μA, at VDD=1.8V	--	0.01	0.01	V
		Open Drain NMOS 2X, I _{OL} =3mA, at VDD=3.3V	--	0.05	0.07	V
		Open Drain NMOS 2X, I _{OL} =5mA, at VDD=5.0V	--	0.07	0.09	V
I _{OH}	HIGH-Level Output Current (Note 1)	Push-Pull 2X, Open Drain PMOS 2X, V _{OH} =VDD-0.2V, at VDD=1.8V	2.15	2.71	--	mA
		Push-Pull 2X, Open Drain PMOS 2X, V _{OH} =2.4V, at VDD=3.3V	11.264	19.66	--	mA

CN363 Smart Power on/off Sequence Controller

		Push-Pull 2X, Open Drain PMOS 2X, $V_{OH}=2.4V$, at $VDD=5.0V$	40.598	56.08	--	mA
I_{OL}	LOW-Level Output Current (Note 1)	Push-Pull 2X, $V_{OL}=0.15V$, at $VDD=1.8V$	1.52	2.66	--	mA
		Push-Pull 2X, $V_{OL}=0.4V$, at $VDD=3.3V$	8.13	12.36	--	mA
		Push-Pull 2X, $V_{OL}=0.4V$, at $VDD=5.0V$	11.59	19.46	--	mA
		Open Drain NMOS 2X, $V_{OL}=0.15V$, at $VDD=1.8V$	3.06	5.13	--	mA
		Open Drain NMOS 2X, $V_{OL}=0.4V$, at $VDD=3.3V$	16.26	22.9	--	mA
		Open Drain NMOS 2X, $V_{OL}=0.4V$, at $VDD=5.0V$	19.12	35.621	--	mA
T_{DLY1}	Delay1 Time	At temperature 25°C	185.9	200	232.1	μs
		At temperature -40 +85°C (Note 3)	179.7	200	326.3	μs
T_{DLY2}	Delay2 Time	At temperature 25°C	185.9	200	232.1	μs
		At temperature -40 +85°C (Note 3)	179.7	200	326.3	μs
T_{DLY3}	Delay3 Time	At temperature 25°C	185.9	200	232.1	μs
		At temperature -40 +85°C (Note 3)	179.7	200	326.3	μs
T_{CNT0}	Counter0 Period	At temperature 25°C	1.87	2	2.25	ms
		At temperature -40 +85°C (Note 3)	1.8	2	3.18	ms
V_{ACMP0}	Analog Comparator0 Threshold Voltage	Low to High transition, at temperature 25°C	1173	--	1273	mV
		Low to High transition, at temperature -40 +85°C (Note 3)	1143	--	1283	mV
		High to Low transition, at temperature 25°C	1135	--	1224	mV
		High to Low transition, at temperature -40 +85°C (Note 3)	1104	--	1235	mV
V_{ACMP1}	Analog Comparator1 Threshold Voltage	Low to High transition, at temperature 25°C	1173	--	1269	mV
		Low to High transition, at temperature -40 +85°C (Note 3)	1145	--	1278	mV
		High to Low transition, at temperature 25°C	1132	--	1231	mV
		High to Low transition, at temperature -40 +85°C (Note 3)	1100	--	1237	mV
V_{HYST}	Analog Comparator Hysteresis Voltage (Note 3)	ACMP 0 at temperature 25°C	--	50	--	mV
		ACMP 0 at temperature -40 +85°C	--	50	--	mV
		ACMP 1 at temperature 25°C	--	50	--	mV
		ACMP 1 at temperature -40 +85°C	--	50	--	mV
T_{SU}	Startup Time	From VDD rising past 1.35 V	--	0.27	--	ms
PON_{THR}	Power On Threshold	V_{DD} Level Required to Start Up the Chip	1.182	1.346	1.505	V
$POFF_{THR}$	Power Off Threshold	V_{DD} Level Required to Switch Off the Chip	0.752	0.918	1.11	V

Note:

- DC or average current through any pin should not exceed value given in Absolute Maximum Conditions.
- The GreenPAK's power rails are divided in two sides. Pins 2, 3, 4 and 6 are connected to one side, pins 8, 9, 10 and 12 to another.
- Guaranteed by Design.

CN363 Smart Power on/off Sequence Controller
Package Top Marking


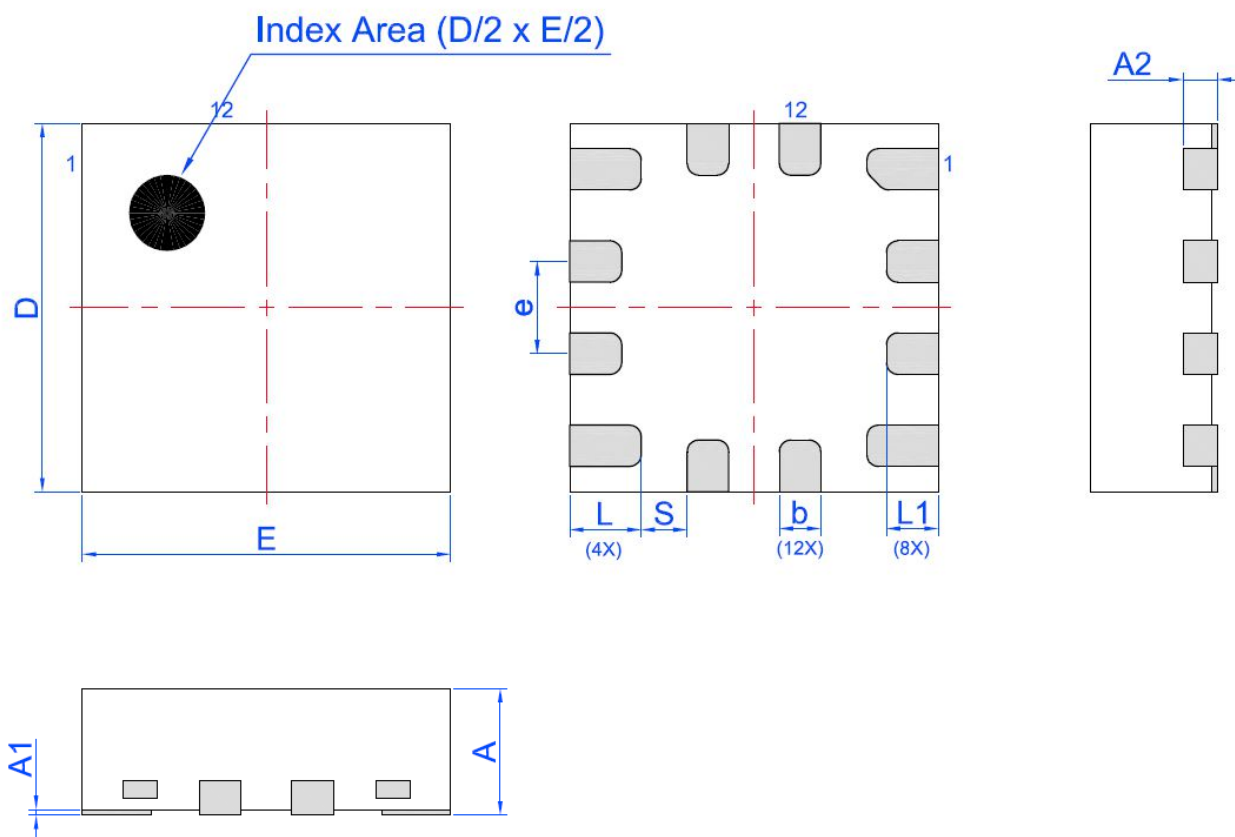
Datasheet Revision	Programming Code Number	Lock Status	Checksum	Part Code	Revision	Date
1.00	002	L	0xF73C6A3C	1AN	B	12/12/2022

The IC security bit is locked/set for code security for production unless otherwise specified. The Programming Code Number is not changed based on the choice of locked vs. unlocked status.

CN363 Smart Power on/off Sequence Controller

Package Drawing and Dimensions

12 Lead STQFN FC Package 1.6 x 1.6 mm
IC net weight: 0.0028 g



Unit: mm

Symbol	Min	Nom.	Max	Symbol	Min	Nom.	Max
A	0.50	0.55	0.60	D	1.55	1.60	1.65
A1	0.005	-	0.060	E	1.55	1.60	1.65
A2	0.10	0.15	0.20	L	0.26	0.31	0.36
b	0.13	0.18	0.23	L1	0.175	0.225	0.275
e	0.40 BSC			S	0.2 REF		

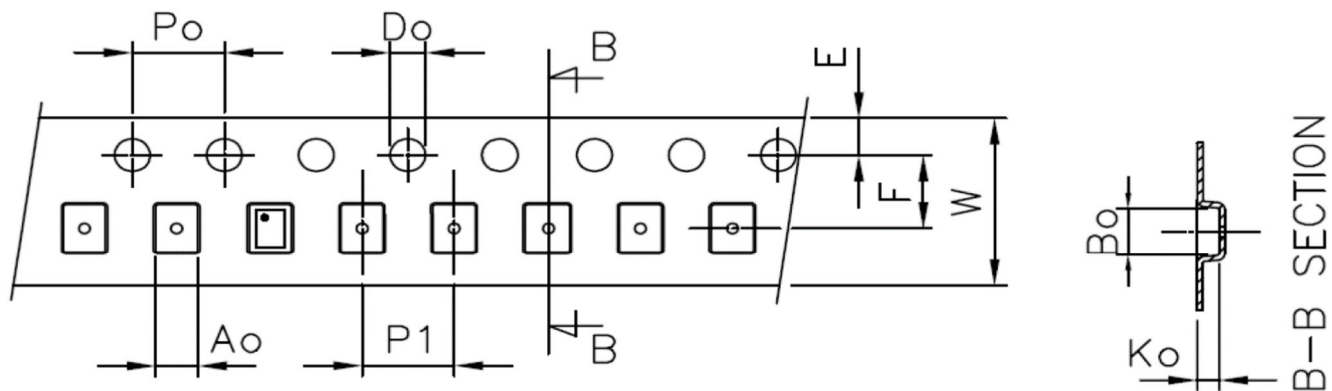
CN363 Smart Power on/off Sequence Controller

Tape and Reel Specification

Package Type	# of Pins	Nominal Package Size [mm]	Max Units		Reel & Hub Size [mm]	Leader (min)		Trailer (min)		Tape Width [mm]	Part Pitch [mm]
			per Reel	per Box		Pockets	Length [mm]	Pockets	Length [mm]		
STQFN 12L FC 0.4P Green	12	1.6x1.6x0.55	3000	3000	178/60	100	400	100	400	8	4

Carrier Tape Drawing and Dimensions

Package Type	Pocket BTM Length	Pocket BTM Width	Pocket Depth	Index Hole Pitch	Pocket Pitch	Index Hole Diameter	Index Hole to Tape Edge	Index Hole to Pocket Center	Tape Width
	A0	B0	K0	P0	P1	D0	E	F	W
STQFN 12L FC 0.4P Green	1.8±0.05	1.8±0.05	±0.7	4	4	1.5	1.75	3.5	8



Recommended Reflow Soldering Profile

Please see IPC/JEDEC J-STD-020: latest revision for reflow profile based on package volume of 1.408 mm³ (nominal). More information can be found at www.jedec.org.

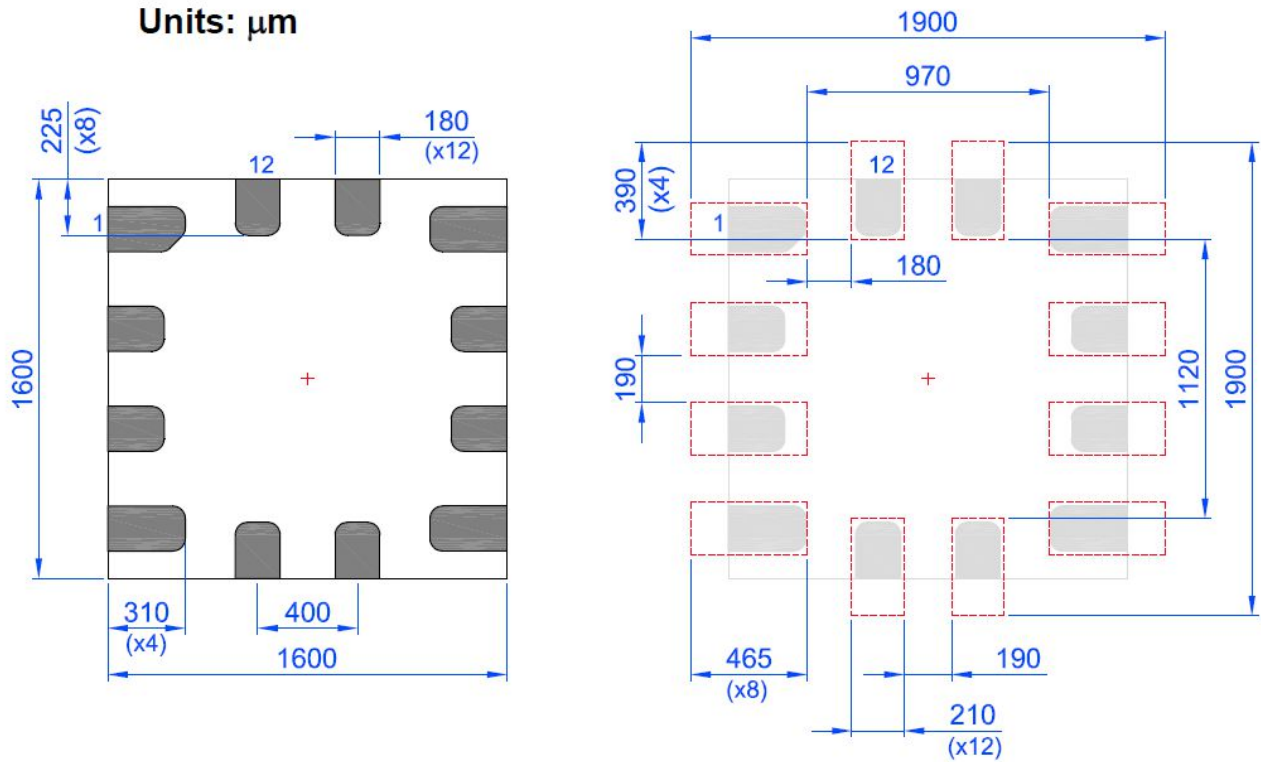
CN363 Smart Power on/off Sequence Controller

Recommended Land Pattern

 Exposed Pad
(PKG face down)

 Recommended Land Pattern
(PKG face down)

Units: μm



CN363 Smart Power on/off Sequence Controller

Datasheet Revision History

Date	Version	Change
11/09/2022	0.10	New design for SLG46110 chip
11/14/2022	0.11	Updated Device Revision Table
11/18/2022	0.12	Change VDD range to 2.0~5.5V
11/17/2022	0.13	Updated Device Revision Table
12/12/2022	1.00	Production Release

IMPORTANT NOTICE AND DISCLAIMER

RENESAS ELECTRONICS CORPORATION AND ITS SUBSIDIARIES (“RENESAS”) PROVIDES TECHNICAL SPECIFICATIONS AND RELIABILITY DATA (INCLUDING DATASHEETS), DESIGN RESOURCES (INCLUDING REFERENCE DESIGNS), APPLICATION OR OTHER DESIGN ADVICE, WEB TOOLS, SAFETY INFORMATION, AND OTHER RESOURCES “AS IS” AND WITH ALL FAULTS, AND DISCLAIMS ALL WARRANTIES, EXPRESS OR IMPLIED, INCLUDING, WITHOUT LIMITATION, ANY IMPLIED WARRANTIES OF MERCHANTABILITY, FITNESS FOR A PARTICULAR PURPOSE, OR NON-INFRINGEMENT OF THIRD-PARTY INTELLECTUAL PROPERTY RIGHTS.

These resources are intended for developers who are designing with Renesas products. You are solely responsible for (1) selecting the appropriate products for your application, (2) designing, validating, and testing your application, and (3) ensuring your application meets applicable standards, and any other safety, security, or other requirements. These resources are subject to change without notice. Renesas grants you permission to use these resources only to develop an application that uses Renesas products. Other reproduction or use of these resources is strictly prohibited. No license is granted to any other Renesas intellectual property or to any third-party intellectual property. Renesas disclaims responsibility for, and you will fully indemnify Renesas and its representatives against, any claims, damages, costs, losses, or liabilities arising from your use of these resources. Renesas' products are provided only subject to Renesas' Terms and Conditions of Sale or other applicable terms agreed to in writing. No use of any Renesas resources expands or otherwise alters any applicable warranties or warranty disclaimers for these products.

(Disclaimer Rev.1.01 Jan 2024)

Corporate Headquarters

TOYOSU FORESIA, 3-2-24 Toyosu,
Koto-ku, Tokyo 135-0061, Japan
www.renesas.com

Trademarks

Renesas and the Renesas logo are trademarks of Renesas Electronics Corporation. All trademarks and registered trademarks are the property of their respective owners.

Contact Information

For further information on a product, technology, the most up-to-date version of a document, or your nearest sales office, please visit www.renesas.com/contact-us/.