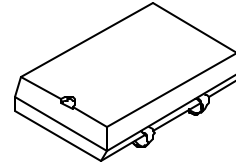




SM1100C SERIES



- CMOS COMPATIBLE WITH TRI-STATE OUTPUT
- SURFACE MOUNT OSCILLATORS IN PLASTIC PACKAGE
- LAND PATTERN COMPATIBLE TO OUR ENTIRE SM1100X SERIES AND EPSON SG615

STANDARD SPECIFICATIONS:

Frequency Range	1.000 MHz – 50.000 MHz (Consult factory for specific available frequencies)		
Frequency Stability over Operating Temperature Range	± 50 PPM is standard, but ± 25 PPM is also available for certain frequencies.		
Operating Temperature Range	0 - 70°C is standard, but can be extended to -40 to +85°C for certain frequencies		
Operable Supply Voltage (Vcc)	1.000 MHz – 30.000 MHz	30.001 MHz – 50.000 MHz	
	SM1100CY	SM1100CY	SM1100CV
	5 Volt ± 10% or 3.3 Volt ± 10%	5 Volt ± 10% only	3.3 Volt ± 10% only
Symmetry (Duty Cycle) (See next page for definition.)	40/60 - 60/40% is standard, but 45/55% symmetry at 50% of Vcc is also available.		
Input Current (Icc) & Rise and Fall Time (Tr & Tf) & Jitter	Depends on frequency and output load. See next page.		
Logic "1" & Logic "0" (See next page)	90% of Vcc MIN.; 10% of Vcc MAX.		
Output Load	15 pF is standard. Contact factory for heavier loads.		
Tri-state Output	Normal output when pin #1 is open (no connection); Normal output when pin #1 is at logic "1"; High-Impedance Output when pin #1 is at logic "0".		
Packaging (see page R1, Figure 2)	24 mm tape, 330 mm reel: 1000 parts per reel. For quantities <250: 23 parts per tube.		

PART NUMBERING GUIDE:

- The Pletronics part number for an SM1100C series oscillator consists of the following 3 elements:

1. Overall Frequency Stability over Operating Temperature Range:

SM1145C: ± 50 PPM;

SM1144C: ± 25 PPM

2. Optional Alphabet Designator for Special Requirement:

SM1100CY: standard specifications;

SM1145CE: operating temperature range of -40 to +85°C;

SM1100CS: 45/55% symmetry at 50% of Vcc;

SM1100CV: operates at Vcc = 3.3V (only needed for over 30.000MHz)

(There are other alphabet designators not listed here.)

3. Frequency of Operation in MHz

EXAMPLES: SM1145CV-50.000 MHz; SM1145CS-10.000 MHz; SM1144CE-50.000 MHz

- When customer's requirements are non-standard, a special engineering part number will be assigned.

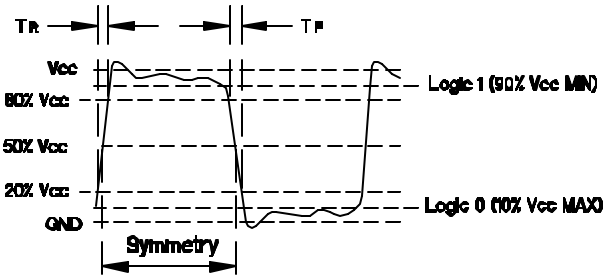
(continued)

SM1100C SERIES

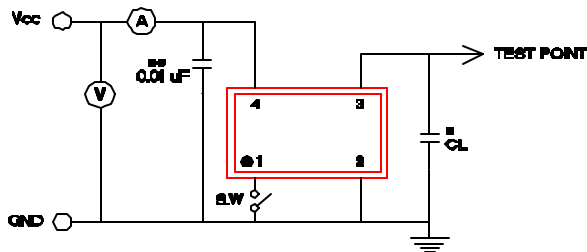
Input Current (I_{cc}), Rise and Fall time with 15pF Load & Jitter

Frequency Range (MHz)	I _{cc} (mA)		Tr & Tf (nS)		Period Jitter RMS Values (pS: 1×10^{-12} Sec)	
	Typical	Maximum	Typical	Maximum	Typical	Maximum
1.000 – 7.999	5.0	10.0	5.5	6.5	30.0	50.0
8.000 – 23.999	8.0	15.0	5.5	6.5	30.0	50.0
24.000 – 29.999	10.0	15.0	4.5	5.5	20.0	30.0
30.000 – 50.000	25.0	30.0	2.5	3.5	15.0	25.0

Waveform

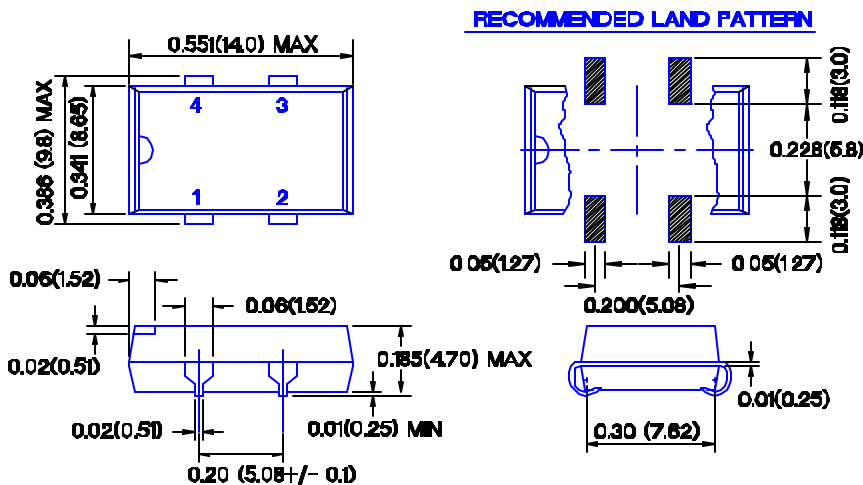


Recommended Test Circuit with CMOS Load



- * CL (Capacitive Load): Includes the input capacitance of oscilloscope.
- ** 0.01 μ F external by-pass filter is recommended.

Package Outline (NOT TO SCALE):



PIN CONNECTIONS	
PIN	CONNECTION
1	ENABLE/DISABLE INPUT
2	GROUND
3	OUTPUT
4	V _{cc}

INCHES (MILLIMETERS)

January 2000