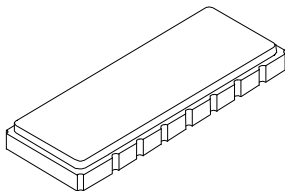


## 14-Terminal Ceramic Surface-Mount Case 11.5 x 4.0 mm Nominal Footprint

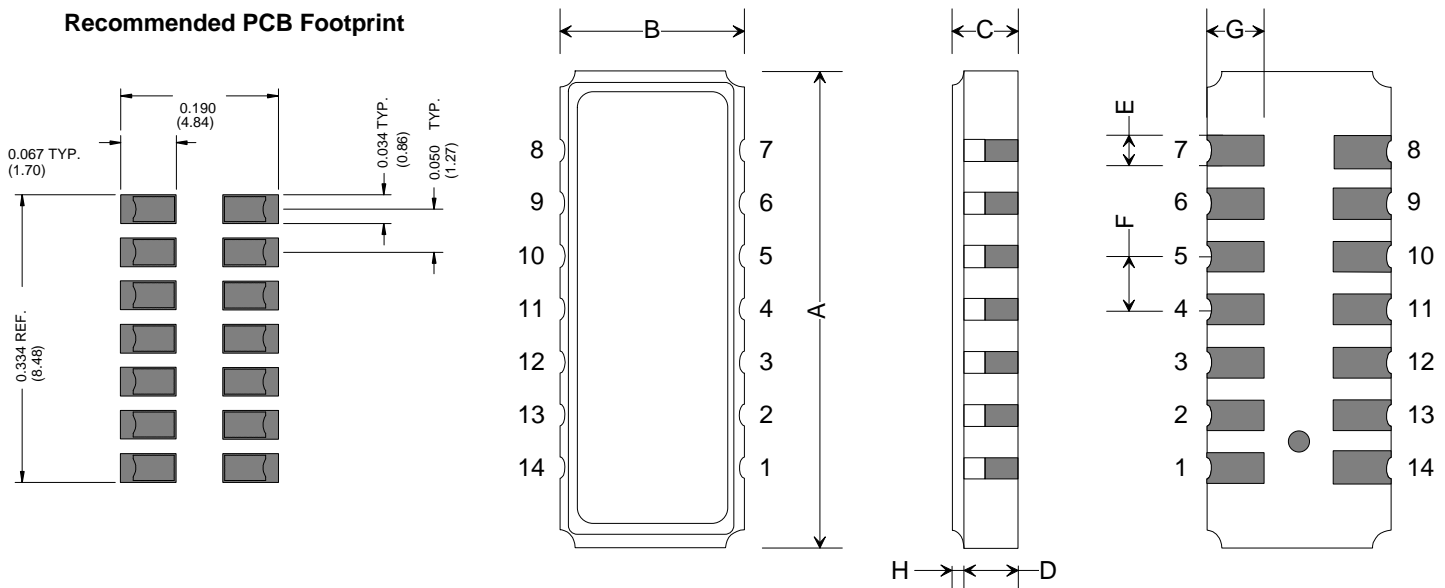


Case Dimensions						
Dimension	mm			Inches		
	Min	Nom	Max	Min	Nom	Max
A	11.4	11.5	11.6	.442	0.450	0.458
B	3.8	4.0	4.2	.150	0.157	.166
C	1.4	1.6	1.8	.057	0.063	.069
D	1.3	1.5	1.7	.053	0.059	.065
E		0.76			0.030	
F		1.27			0.050	
G		1.27			0.050	
H		0.1			0.004	

Materials	
Solder Pad Termination	Au plating 30 - 60 μinches (76.2-152 μm) over 80-200 μinches (203-508 μm) Ni.
Lid	Fe-Ni-Co Alloy Electroless Nickel Plate (8-11% Phosphorus) 100-200 μinches Thick
Body	Al <sub>2</sub> O <sub>3</sub> Ceramic
Pb Free	

Electrical Connections	
Connection	Terminals
Input	2
Output	9
Ground	All Others

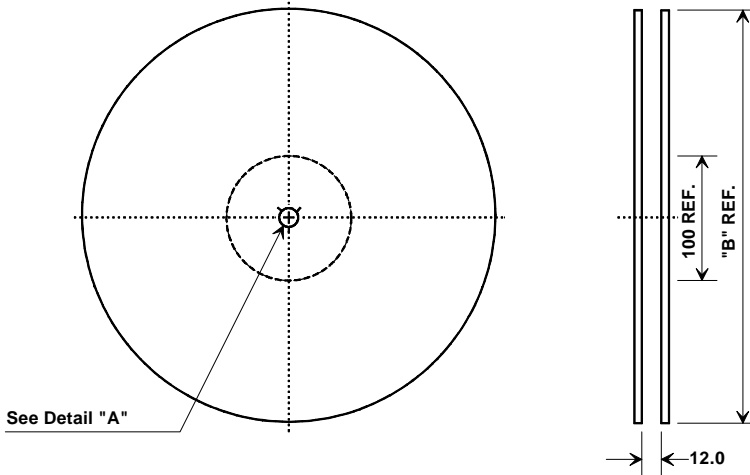
### Recommended PCB Footprint



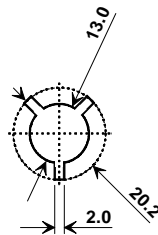
# SM1140-14 Case



## Tape and Reel Specifications



"B"		Quantity Per Reel
Inches	millimeters	
7	178	TBD
13	330	TBD
Tape and Reel Standard Per ANSI / EIA 481		



## COMPONENT ORIENTATION and DIMENSIONS

Carrier Tape Dimensions	
<b>Ao</b>	TBD mm
<b>Bo</b>	TBD mm
<b>Ko</b>	TBD mm
<b>Pitch</b>	TBD mm
<b>W</b>	TBD mm

