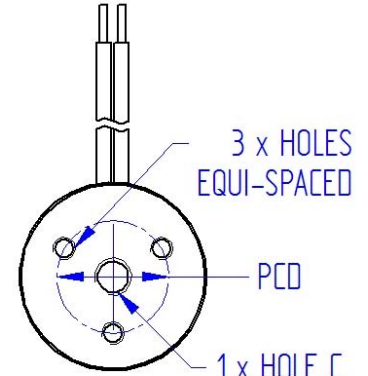
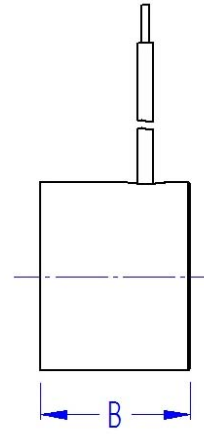
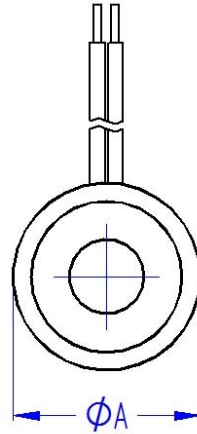
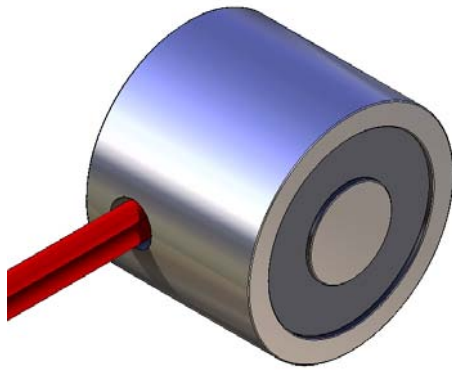




# Electromagnets

# SM SERIES



ELECTROMAGNET TYPE	$\phi A$	B	HOLE C	WEIGHT (Kg)	POWER (WATTS)	HOLDING FORCE (Kg)*
	(mm)					
SM1721	17	21	M3	0.023	1.5	3.5
SM2015	20	15	M3	0.025	2.5	4
SM2020	20	20	M3	0.05	1.9	6
SM2520	25	20	M5	0.07	3.2	14
SM3020	30	20	M6	0.10	5	27
SM3025	30	25	M6	0.13	3.8	20
SM3032	30	32	M4	0.14	1.6	12
SM3232	32	32	M6	0.15	1.5	20
SM3251	32	51	M6	0.27	2.5	20
SM3832	38	32	M6	0.20	1.75	25
SM3851	38	51	M6	0.36	2.25	30
SM3932	39	32	M6	0.22	7.5	44
SM4027	40	27	M6	0.22	5.6	50
SM4232	42	32	M6	0.25	1	20
SM4827	48	27	M6	0.35	8.5	79
SM5030	50	30	M8	0.40	6.2	70
SM5125	51	25	M6	0.30	3	32
SM5145	51	45	M8	0.60	7	70
SM5537	55	37	M8	0.55	10	100
SM6330	63	30	M8	0.65	10	145
SM6435	64	35	M8	0.75	9.5	130
SM6451	64	51	M8	0.90	7.5	77
SM7040	70	40	M8	0.80	19	180
SM7535	75	35	M10	1.0	14.5	200
SM8038	80	38	M10	1.3	13	205
SM9038	90	38	M10	1.5	9	120
SM9040	90	40	M12	1.5	20	294
SM9070	90	70	M10	2.7	12	175
SM10043	100	43	M12	2.2	17	330
SM11050	110	50	M12	3.5	30	550
SM11570	115	70	M12	5.0	20	350
SM16090	160	90	M20	11.5	50	450
SM230127	230	127	M20	35	TBA	1000

\*BASED ON STANDARD, PLATED, MILD STEEL ARMATURE

- Standard voltages 12 or 24Vdc
- Optional AC/DC voltages available
- High/low power versions available
- Low residual versions available
- Side or rear lead entry option
- Optional lead lengths
- Optional fixing hole sizes and PCD
- Armature keeper plates available
- Corrosion resistant plated parts
- Resin potted coils
- Hirschmann connector/integrated rectifier available on larger sizes



Solentec Ltd, All Saints Industrial Estate, Shildon, County Durham, DL4 2RD  
 Tel: +44 (0)1388 778555 Fax: +44 (0)1388 778999  
 website: [www.solenoids.co.uk](http://www.solenoids.co.uk) e-mail: [enquiries@solenoids.co.uk](mailto:enquiries@solenoids.co.uk)