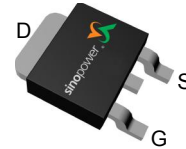


## N-Channel Enhancement Mode MOSFET

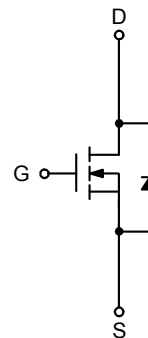
### Features

- 150V/35A,  
 $R_{DS(ON)} = 46m\Omega(\text{max.}) @ V_{GS} = 10V$   
 $R_{DS(ON)} = 52m\Omega(\text{max.}) @ V_{GS} = 6V$
- Reliable and Rugged
- Lead Free and Green Devices Available (RoHS Compliant)

### Pin Description



Top View of TO-252-3




N-Channel MOSFET

### Applications

- Power Management in TV Converter.
- DC-DC Converter.

### Ordering and Marking Information

|                                                                                                                                                                                                                                        |                                                                                                                                                                                                                                  |
|----------------------------------------------------------------------------------------------------------------------------------------------------------------------------------------------------------------------------------------|----------------------------------------------------------------------------------------------------------------------------------------------------------------------------------------------------------------------------------|
| <p>SM1F02NS <span style="font-family: monospace;">□□-□□□</span></p> <div style="margin-left: 20px;"> <p>└─ Assembly Material</p> <p>└─ Handling Code</p> <p>└─ Temperature Range</p> <p>└─ Package Code</p> </div>                     | <p>Package Code<br/>U : TO-252-3</p> <p>Operating Junction Temperature Range<br/>C : -55 to 150 °C</p> <p>Handling Code<br/>TR : Tape &amp; Reel (2500ea/reel)</p> <p>Assembly Material<br/>G : Halogen and Lead Free Device</p> |
| <p>SM1F02NS U :</p> <div style="border: 1px solid black; display: inline-block; padding: 2px; margin-left: 10px;">  <p>SM1F02N<br/>XXXXX</p> </div> | <p>XXXXX - Lot Code</p>                                                                                                                                                                                                          |

Note : SINOPOWER lead-free products contain molding compounds/die attach materials and 100% matte tin plate termination finish; which are fully compliant with RoHS. SINOPOWER lead-free products meet or exceed the lead-free requirements of IPC/JEDEC J-STD-020D for MSL classification at lead-free peak reflow temperature. SINOPOWER defines “Green” to mean lead-free (RoHS compliant) and halogen free (Br or Cl does not exceed 900ppm by weight in homogeneous material and total of Br and Cl does not exceed 1500ppm by weight).

SINOPOWER reserves the right to make changes to improve reliability or manufacturability without notice, and advise customers to obtain the latest version of relevant information to verify before placing orders.

## Absolute Maximum Ratings

| Symbol                                                                 | Parameter                                    | Rating                  | Unit               |     |
|------------------------------------------------------------------------|----------------------------------------------|-------------------------|--------------------|-----|
| <b>Common Ratings</b> ( $T_A=25^\circ\text{C}$ Unless Otherwise Noted) |                                              |                         |                    |     |
| $V_{DSS}$                                                              | Drain-Source Voltage                         | 150                     | V                  |     |
| $V_{GSS}$                                                              | Gate-Source Voltage                          | $\pm 25$                |                    |     |
| $T_J$                                                                  | Maximum Junction Temperature                 | 150                     | $^\circ\text{C}$   |     |
| $T_{STG}$                                                              | Storage Temperature Range                    | -55 to 150              |                    |     |
| $I_S$                                                                  | Diode Continuous Forward Current             | 5                       | A                  |     |
| $I_{DP}$                                                               | 300 $\mu\text{s}$ Pulse Drain Current Tested | $T_C=25^\circ\text{C}$  |                    | 120 |
|                                                                        |                                              | $T_C=100^\circ\text{C}$ |                    | 80  |
| $I_D$                                                                  | Continuous Drain Current                     | $T_C=25^\circ\text{C}$  |                    | 35  |
|                                                                        |                                              | $T_C=100^\circ\text{C}$ | 22                 |     |
| $P_D$                                                                  | Maximum Power Dissipation                    | $T_C=25^\circ\text{C}$  | 113                | W   |
|                                                                        |                                              | $T_C=100^\circ\text{C}$ | 45                 |     |
| $R_{\theta JC}$                                                        | Thermal Resistance-Junction to Case          | 1.1                     | $^\circ\text{C/W}$ |     |
| $R_{\theta JA}$                                                        | Thermal Resistance-Junction to Ambient       | 50                      |                    |     |
| $E_{AS}$                                                               | Avalanche Energy, Single Pulsed              | L=1mH                   | 100                | mJ  |

## Electrical Characteristics ( $T_A = 25^\circ\text{C}$ unless otherwise noted)

| Symbol                        | Parameter                        | Test Conditions                                    | SM1F02NSU |      |           | Unit          |
|-------------------------------|----------------------------------|----------------------------------------------------|-----------|------|-----------|---------------|
|                               |                                  |                                                    | Min.      | Typ. | Max.      |               |
| <b>Static Characteristics</b> |                                  |                                                    |           |      |           |               |
| $BV_{DSS}$                    | Drain-Source Breakdown Voltage   | $V_{GS}=0V, I_{DS}=250\mu\text{A}$                 | 150       | -    | -         | V             |
| $I_{DSS}$                     | Zero Gate Voltage Drain Current  | $V_{DS}=120V, V_{GS}=0V$<br>$T_J=85^\circ\text{C}$ | -         | -    | 1         | $\mu\text{A}$ |
|                               |                                  |                                                    | -         | -    | 30        |               |
| $V_{GS(th)}$                  | Gate Threshold Voltage           | $V_{DS}=V_{GS}, I_{DS}=250\mu\text{A}$             | 2         | 3    | 4         | V             |
| $I_{GSS}$                     | Gate Leakage Current             | $V_{GS}=\pm 25V, V_{DS}=0V$                        | -         | -    | $\pm 100$ | nA            |
| $R_{DS(ON)}^a$                | Drain-Source On-state Resistance | $V_{GS}=10V, I_{DS}=10A$                           | -         | 35   | 46        | m $\Omega$    |
|                               |                                  | $V_{GS}=6V, I_{DS}=8A$                             | -         | 40   | 52        |               |
| Gfs                           | Forward Transconductance         | $V_{DS}=5V, I_D=20A$                               | -         | 47   | -         | S             |
|                               |                                  | $V_{DS}=10V, I_D=17A$                              | -         | 53   | -         |               |
| <b>Diode Characteristics</b>  |                                  |                                                    |           |      |           |               |
| $V_{SD}^a$                    | Diode Forward Voltage            | $I_{SD}=5A, V_{GS}=0V$                             | -         | 0.7  | 1.1       | V             |
| $t_{rr}$                      | Reverse Recovery Time            | $I_{DS}=10A, di_{SD}/dt=100A/\mu\text{s}$          | -         | 60   | -         | ns            |
| Qrr                           | Reverse Recovery Charge          |                                                    | -         | 165  | -         | nC            |

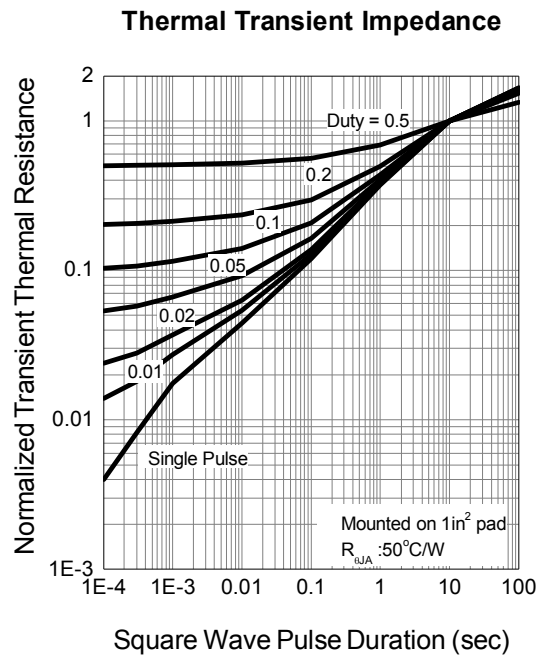
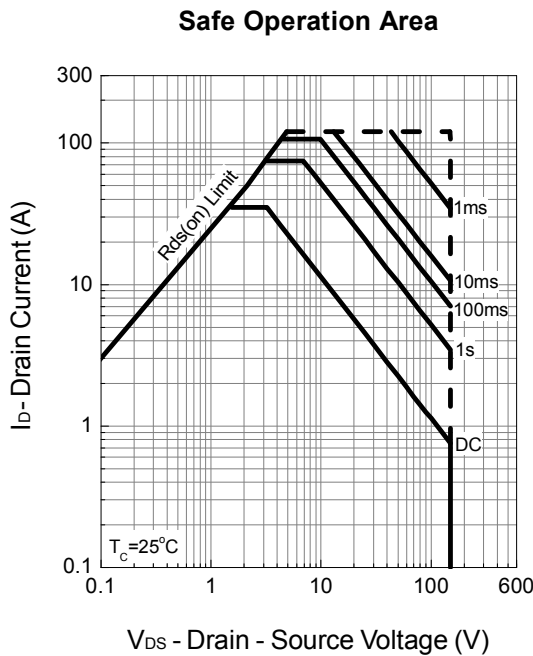
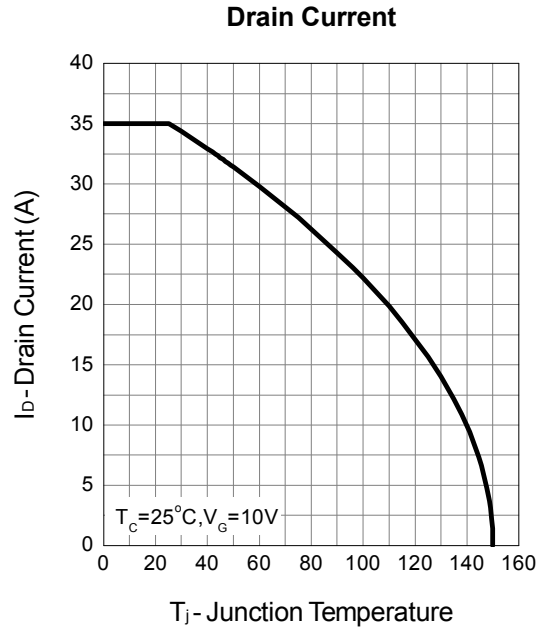
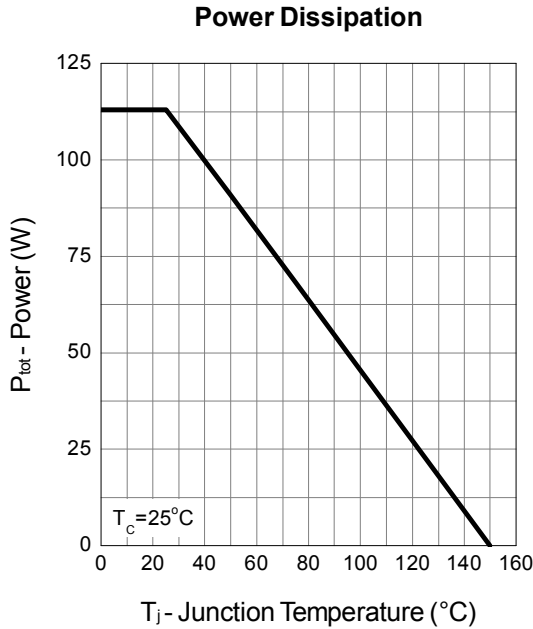
## Electrical Characteristics (Cont.) (T<sub>A</sub> = 25°C unless otherwise noted)

| Symbol                                          | Parameter                    | Test Conditions                                                                                                 | SM1F02NSU |      |      | Unit |
|-------------------------------------------------|------------------------------|-----------------------------------------------------------------------------------------------------------------|-----------|------|------|------|
|                                                 |                              |                                                                                                                 | Min.      | Typ. | Max. |      |
| <b>Dynamic Characteristics <sup>b</sup></b>     |                              |                                                                                                                 |           |      |      |      |
| C <sub>iss</sub>                                | Input Capacitance            | V <sub>GS</sub> =0V,<br>V <sub>DS</sub> =30V,<br>Frequency=1.0MHz                                               | -         | 1900 | -    | pF   |
| C <sub>oss</sub>                                | Output Capacitance           |                                                                                                                 | -         | 200  | -    |      |
| C <sub>rss</sub>                                | Reverse Transfer Capacitance |                                                                                                                 | -         | 87   | -    |      |
| t <sub>d(ON)</sub>                              | Turn-on Delay Time           | V <sub>DD</sub> =30V, R <sub>L</sub> =30Ω,<br>I <sub>DS</sub> =1A, V <sub>GEN</sub> =10V,<br>R <sub>G</sub> =6Ω | -         | 16   | 29   | ns   |
| t <sub>r</sub>                                  | Turn-on Rise Time            |                                                                                                                 | -         | 12   | 22   |      |
| t <sub>d(OFF)</sub>                             | Turn-off Delay Time          |                                                                                                                 | -         | 48   | 87   |      |
| t <sub>f</sub>                                  | Turn-off Fall Time           |                                                                                                                 | -         | 16   | 29   |      |
| <b>Gate Charge Characteristics <sup>b</sup></b> |                              |                                                                                                                 |           |      |      |      |
| Q <sub>g</sub>                                  | Total Gate Charge            | V <sub>DS</sub> =75V, V <sub>GS</sub> =10V,<br>I <sub>DS</sub> =10A                                             | -         | 40   | 56   | nC   |
| Q <sub>gs</sub>                                 | Gate-Source Charge           |                                                                                                                 | -         | 9    | -    |      |
| Q <sub>gd</sub>                                 | Gate-Drain Charge            |                                                                                                                 | -         | 12   | -    |      |

Note a : Pulse test ; pulse width ≤ 300μs, duty cycle ≤ 2%.

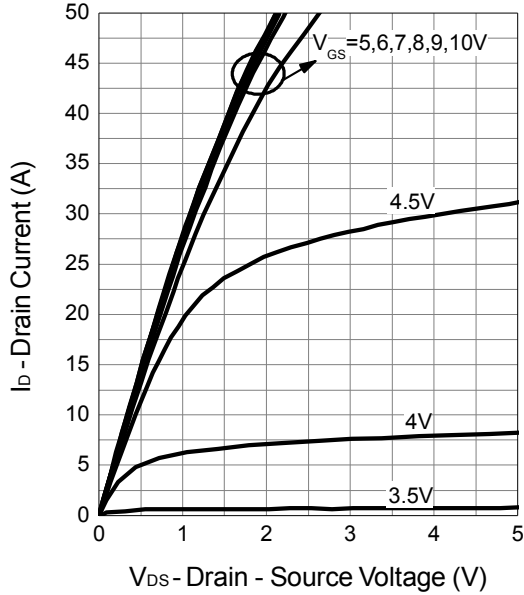
Note b : Guaranteed by design, not subject to production testing.

## Typical Operating Characteristics

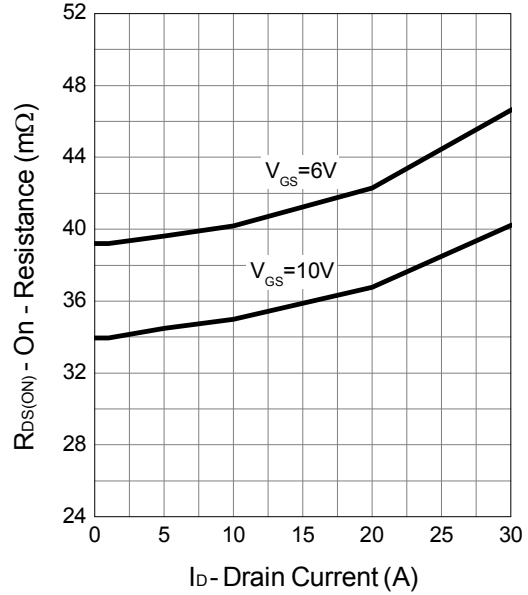


Typical Operating Characteristics (Cont.)

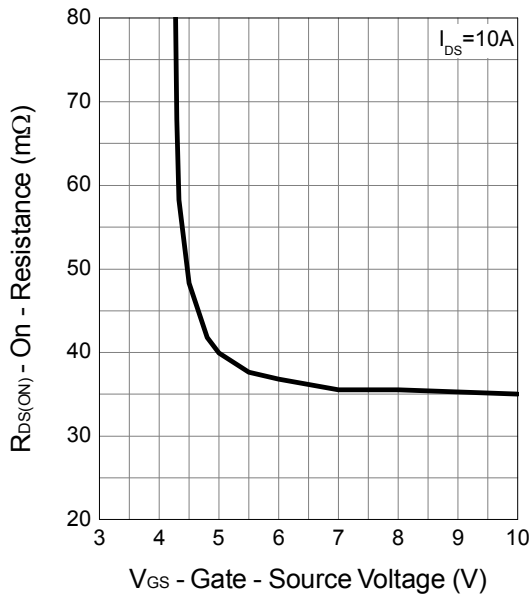
Output Characteristics



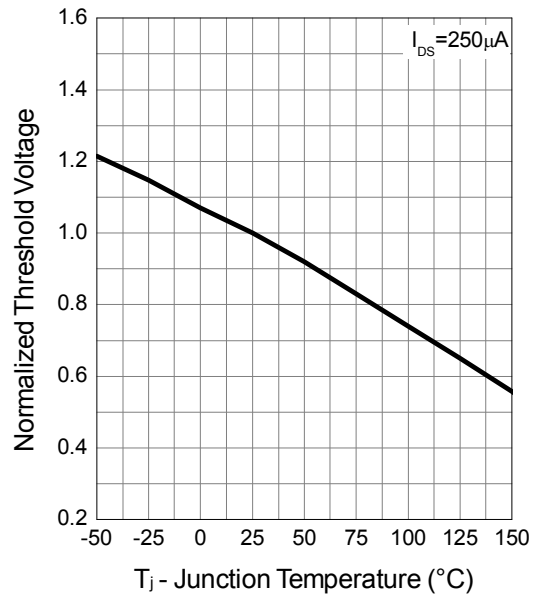
Drain-Source On Resistance



Gate-Source On Resistance

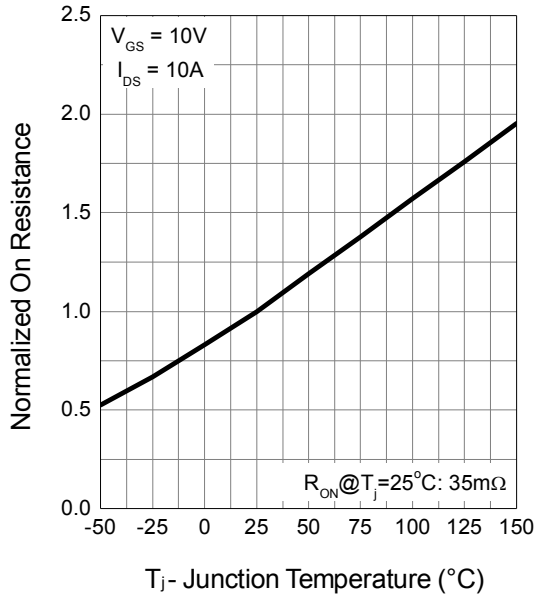


Gate Threshold Voltage

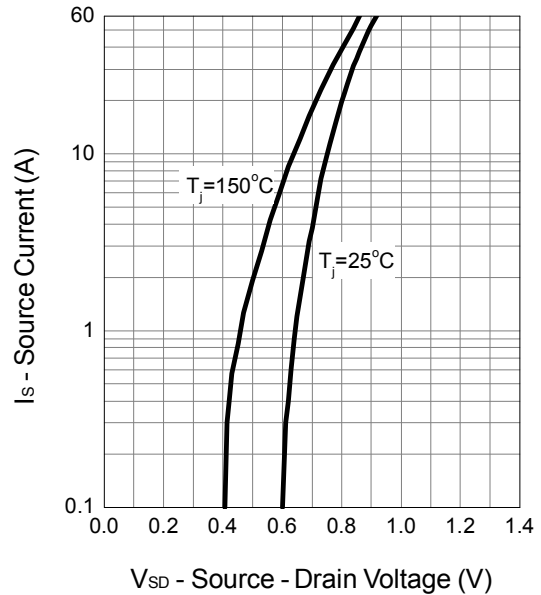


Typical Operating Characteristics (Cont.)

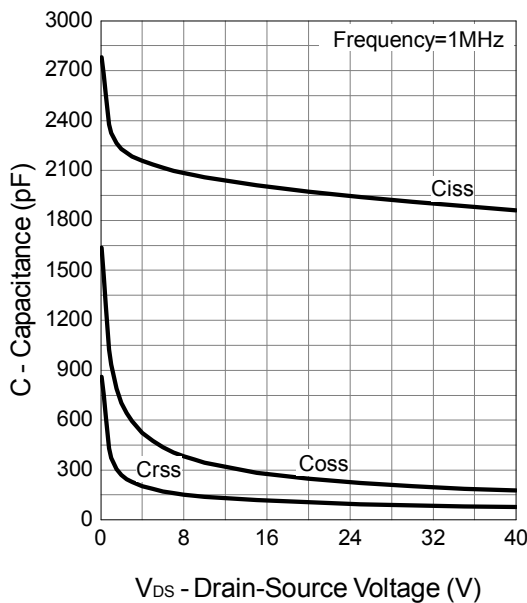
Drain-Source On Resistance



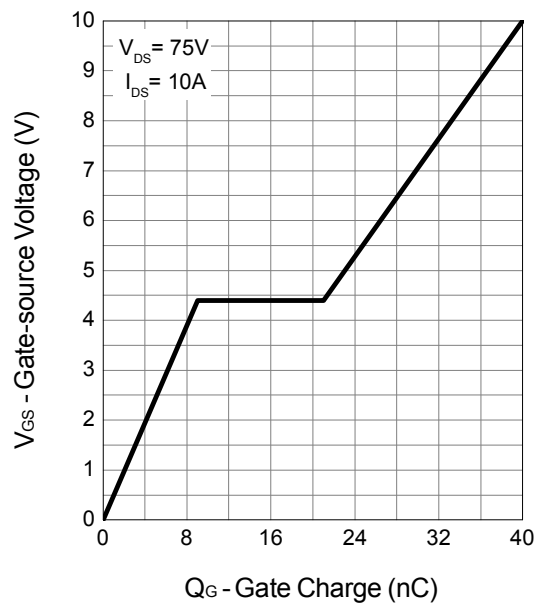
Source-Drain Diode Forward



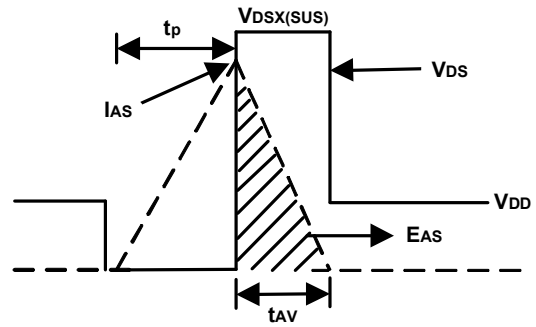
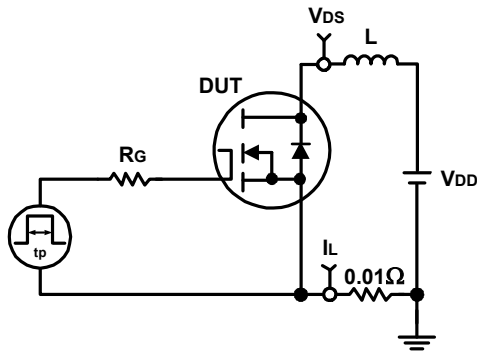
Capacitance



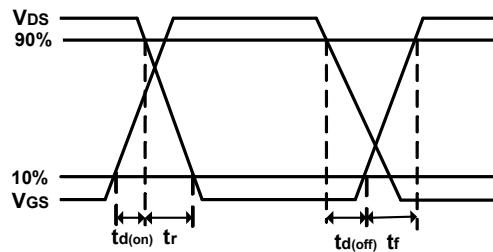
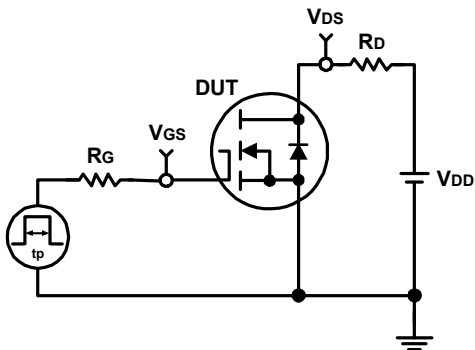
Gate Charge



### Avalanche Test Circuit and Waveforms

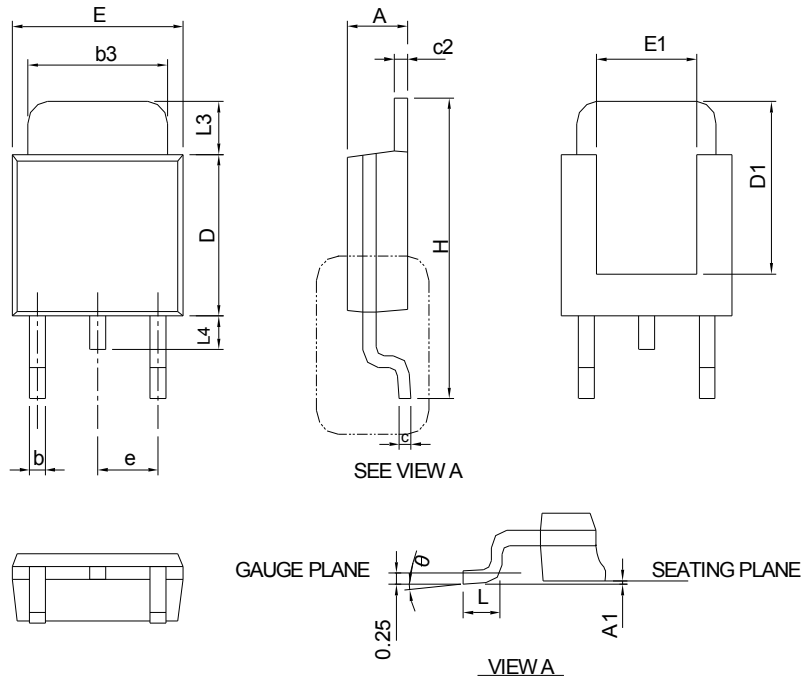


### Switching Time Test Circuit and Waveforms



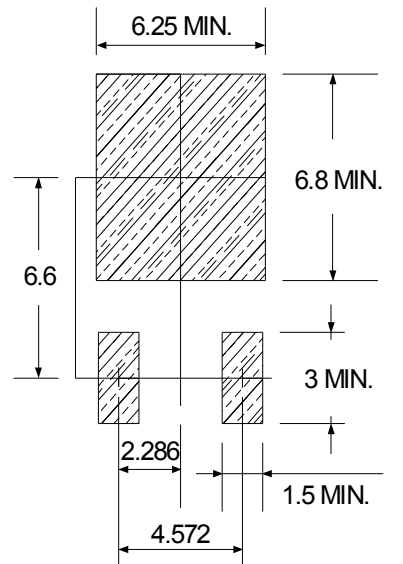
## Package Information

TO-252-3



| DIMENSIONS | TO-252-3    |       |           |       |
|------------|-------------|-------|-----------|-------|
|            | MILLIMETERS |       | INCHES    |       |
|            | MIN.        | MAX.  | MIN.      | MAX.  |
| A          | 2.18        | 2.39  | 0.086     | 0.094 |
| A1         | -           | 0.13  | -         | 0.005 |
| b          | 0.50        | 0.89  | 0.020     | 0.035 |
| b3         | 4.95        | 5.46  | 0.195     | 0.215 |
| c          | 0.46        | 0.61  | 0.018     | 0.024 |
| c2         | 0.46        | 0.89  | 0.018     | 0.035 |
| D          | 5.33        | 6.22  | 0.210     | 0.245 |
| D1         | 4.57        | 6.00  | 0.180     | 0.236 |
| E          | 6.35        | 6.73  | 0.250     | 0.265 |
| E1         | 3.81        | 6.00  | 0.150     | 0.236 |
| e          | 2.29 BSC    |       | 0.090 BSC |       |
| H          | 9.40        | 10.41 | 0.370     | 0.410 |
| L          | 0.90        | 1.78  | 0.035     | 0.070 |
| L3         | 0.89        | 2.03  | 0.035     | 0.080 |
| L4         | -           | 1.02  | -         | 0.040 |
| θ          | 0°          | 8°    | 0°        | 8°    |

### RECOMMENDED LAND PATTERN

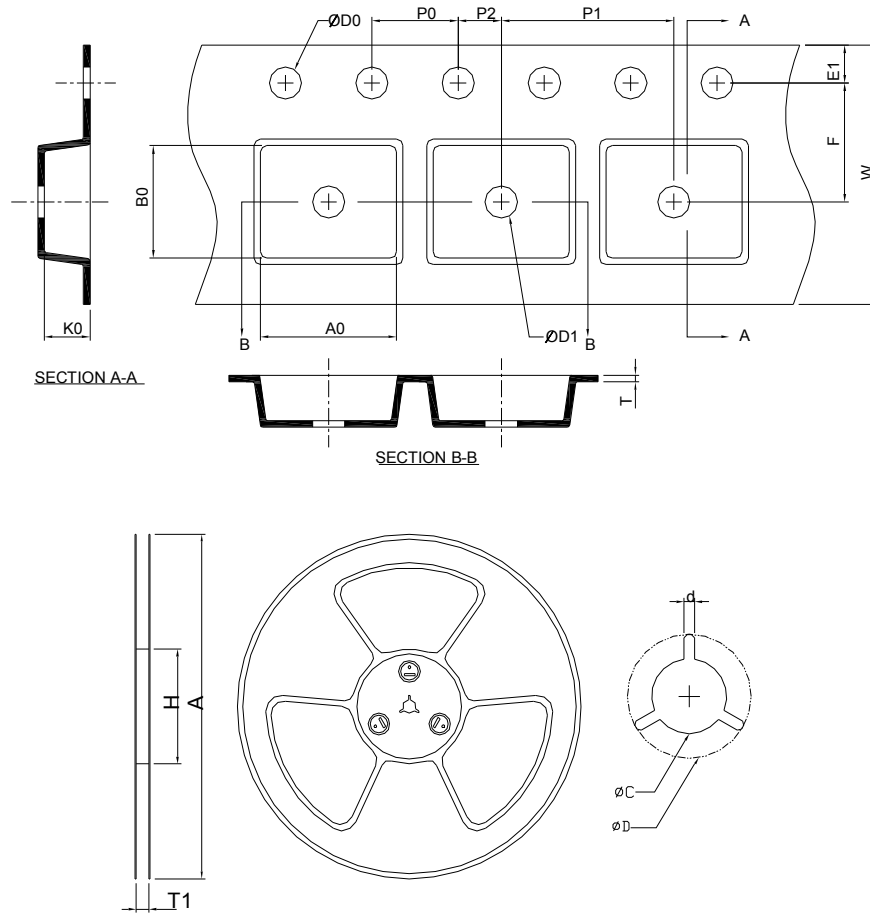


UNIT: mm

Note : Follow JEDEC TO-252 .



## Carrier Tape & Reel Dimensions

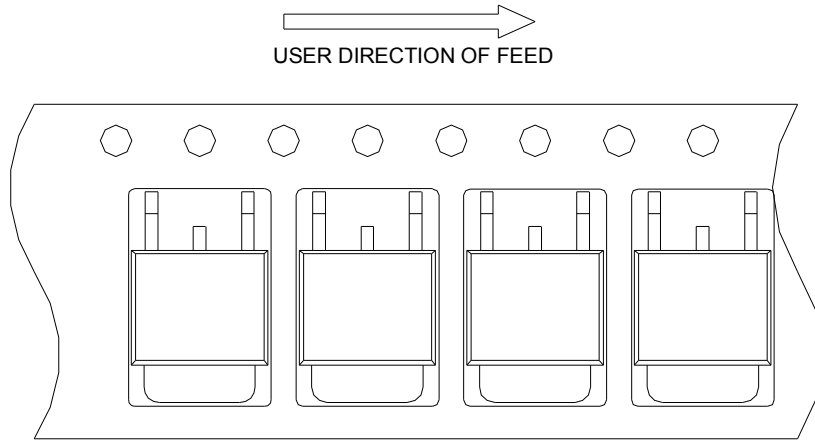


| Application | A                | H              | T1                       | C                        | d        | D                       | W               | E1               | F               |
|-------------|------------------|----------------|--------------------------|--------------------------|----------|-------------------------|-----------------|------------------|-----------------|
| TO-252-3    | $330.0 \pm 2.00$ | 50 MIN.        | $16.4 + 2.00$<br>$-0.00$ | $13.0 + 0.50$<br>$-0.20$ | 1.5 MIN. | 20.2 MIN.               | $16.0 \pm 0.30$ | $1.75 \pm 0.10$  | $7.50 \pm 0.05$ |
|             | P0               | P1             | P2                       | D0                       | D1       | T                       | A0              | B0               | K0              |
|             | $4.0 \pm 0.10$   | $8.0 \pm 0.10$ | $2.0 \pm 0.05$           | $1.5 + 0.10$<br>$-0.00$  | 1.5 MIN. | $0.6 + 0.00$<br>$-0.40$ | $6.80 \pm 0.20$ | $10.40 \pm 0.20$ | $2.50 \pm 0.20$ |

(mm)

## Taping Direction Information

TO-252-3



## Classification Profile



## Classification Reflow Profiles

| Profile Feature                                                                                                  | Sn-Pb Eutectic Assembly            | Pb-Free Assembly                   |
|------------------------------------------------------------------------------------------------------------------|------------------------------------|------------------------------------|
| <b>Preheat &amp; Soak</b>                                                                                        |                                    |                                    |
| Temperature min ( $T_{smin}$ )                                                                                   | 100 °C                             | 150 °C                             |
| Temperature max ( $T_{smax}$ )                                                                                   | 150 °C                             | 200 °C                             |
| Time ( $T_{smin}$ to $T_{smax}$ ) ( $t_s$ )                                                                      | 60-120 seconds                     | 60-120 seconds                     |
| Average ramp-up rate ( $T_{smax}$ to $T_p$ )                                                                     | 3 °C/second max.                   | 3°C/second max.                    |
| Liquidous temperature ( $T_L$ )                                                                                  | 183 °C                             | 217 °C                             |
| Time at liquidous ( $t_L$ )                                                                                      | 60-150 seconds                     | 60-150 seconds                     |
| Peak package body Temperature ( $T_p$ )*                                                                         | See Classification Temp in table 1 | See Classification Temp in table 2 |
| Time ( $t_p$ )** within 5°C of the specified classification temperature ( $T_c$ )                                | 20** seconds                       | 30** seconds                       |
| Average ramp-down rate ( $T_p$ to $T_{smax}$ )                                                                   | 6 °C/second max.                   | 6 °C/second max.                   |
| Time 25°C to peak temperature                                                                                    | 6 minutes max.                     | 8 minutes max.                     |
| * Tolerance for peak profile Temperature ( $T_p$ ) is defined as a supplier minimum and a user maximum.          |                                    |                                    |
| ** Tolerance for time at peak profile temperature ( $t_p$ ) is defined as a supplier minimum and a user maximum. |                                    |                                    |

Table 1. SnPb Eutectic Process – Classification Temperatures ( $T_c$ )

| Package Thickness | Volume mm <sup>3</sup> <350 | Volume mm <sup>3</sup> ≥350 |
|-------------------|-----------------------------|-----------------------------|
| <2.5 mm           | 235 °C                      | 220 °C                      |
| ≥2.5 mm           | 220 °C                      | 220 °C                      |

Table 2. Pb-free Process – Classification Temperatures ( $T_c$ )

| Package Thickness | Volume mm <sup>3</sup> <350 | Volume mm <sup>3</sup> 350-2000 | Volume mm <sup>3</sup> >2000 |
|-------------------|-----------------------------|---------------------------------|------------------------------|
| <1.6 mm           | 260 °C                      | 260 °C                          | 260 °C                       |
| 1.6 mm – 2.5 mm   | 260 °C                      | 250 °C                          | 245 °C                       |
| ≥2.5 mm           | 250 °C                      | 245 °C                          | 245 °C                       |

## Reliability Test Program

| Test item     | Method        | Description                            |
|---------------|---------------|----------------------------------------|
| SOLDERABILITY | JESD-22, B102 | 5 Sec, 245°C                           |
| HTRB          | JESD-22, A108 | 1000 Hrs, 80% of VDS max @ $T_{jmax}$  |
| HTGB          | JESD-22, A108 | 1000 Hrs, 100% of VGS max @ $T_{jmax}$ |
| PCT           | JESD-22, A102 | 168 Hrs, 100%RH, 2atm, 121°C           |
| TCT           | JESD-22, A104 | 500 Cycles, -65°C~150°C                |

## Customer Service

### Sinopower Semiconductor, Inc.

5F, No. 6, Dusing 1St Rd., Hsinchu Science Park,

Hsinchu, 30078, Taiwan

TEL: 886-3-5635818 Fax: 886-3-5642050