

OVERVIEW

The SM5005 series are crystal oscillator module ICs, that incorporate high-frequency, low current consumption oscillator and output buffer circuits. Highly accurate thin-film feedback resistors and high-frequency capacitors are built-in, eliminating the need for external components to make a stable 3rd-harmonic oscillator.

FEATURES

- High-frequency operation
- 3rd-harmonic oscillation
- Capacitors C_G , C_D built-in
- Standby function (oscillator stops)
- Power-save pull-up resistor built-in
- Inverter amplifier feedback resistor built-in
- CMOS input level
- 8 mA ($V_{DD} = 2.7$ V) drive capability
- CMOS output duty level
- Output three-state function
- 2.25 to 3.6 V supply voltage
- Oscillator frequency output
- 8-pin VSOP (SM5005×××V)
- Chip form (CF5005×××)

SERIES CONFIGURATION

Version ¹	Recommended operating frequency (MHz)		gm ratio	Output duty level	Output current (mA)	Built-in capacitance (pF)		R_f (k Ω)
	$V_{DD} = 2.25$ to 2.75 V	$V_{DD} = 2.7$ to 3.6 V				C_G	C_D	
SM5005ALAV	60 to 70	70 to 100	1.0	CMOS	8	8	10	2.2
SM5005ALBV	-	90 to 110	1.5	CMOS	8	6	6	3.3
SM5005ALCV ²	-	107 to 125	1.5	CMOS	8	3	3	4.6
CF5005ALD ³	50 to 60	60 to 80	1.0	CMOS	8	8	10	3.5

1. Chip form devices have designation CF5005×××.
2. Based on Preliminary Constants Data from Crystal MFG.
3. Chip form only.

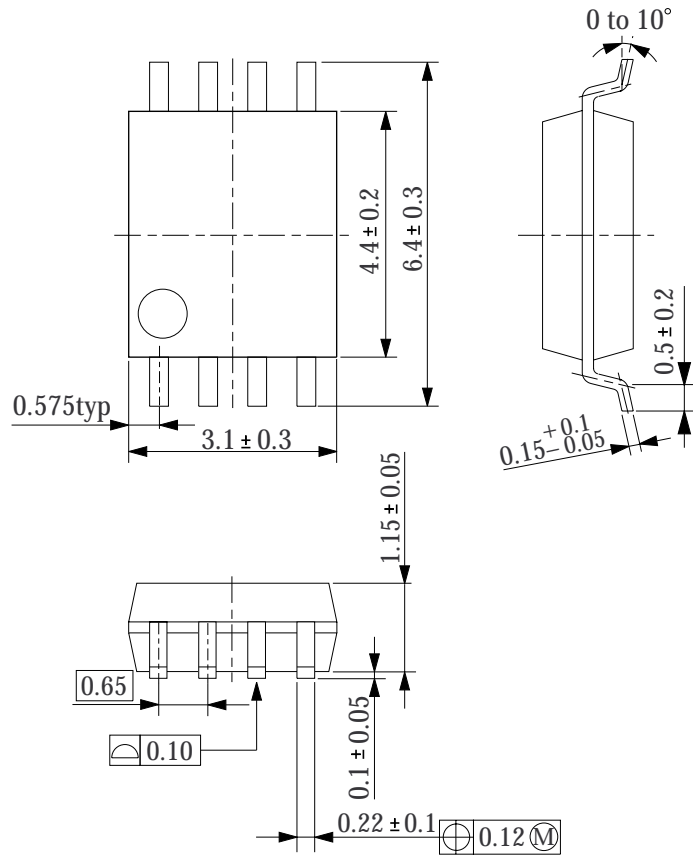
ORDERING INFORMATION

Device	Package
SM5005×××V	8-pin VSOP
CF5005×××-1	Chip form

PACKAGE DIMENSIONS

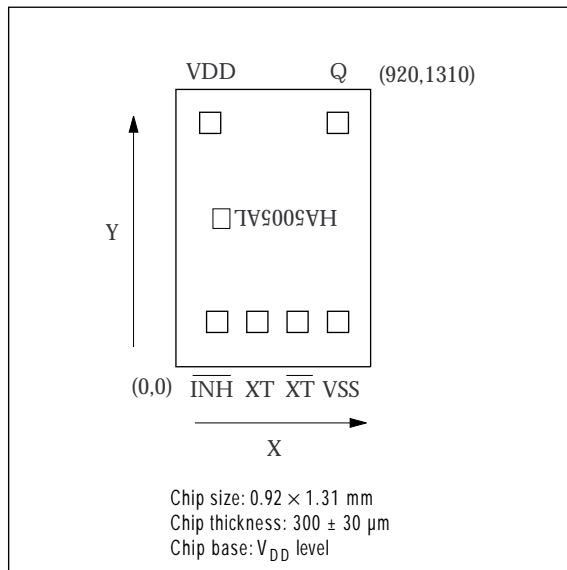
(UNIT : mm)

- 8-pin VSOP



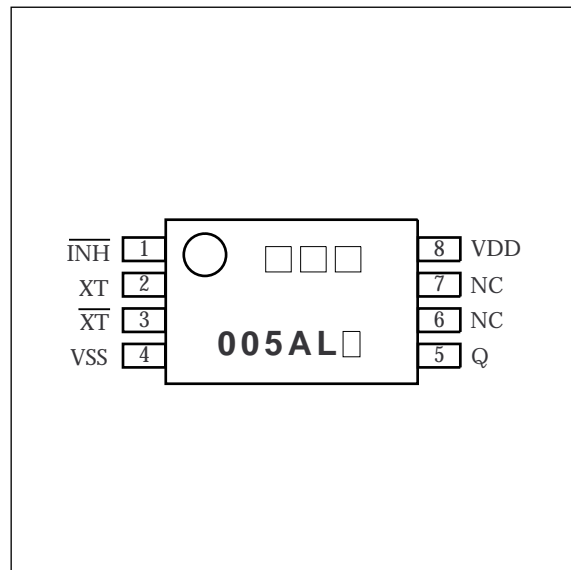
PAD LAYOUT

(Unit : μm)



PINOUT

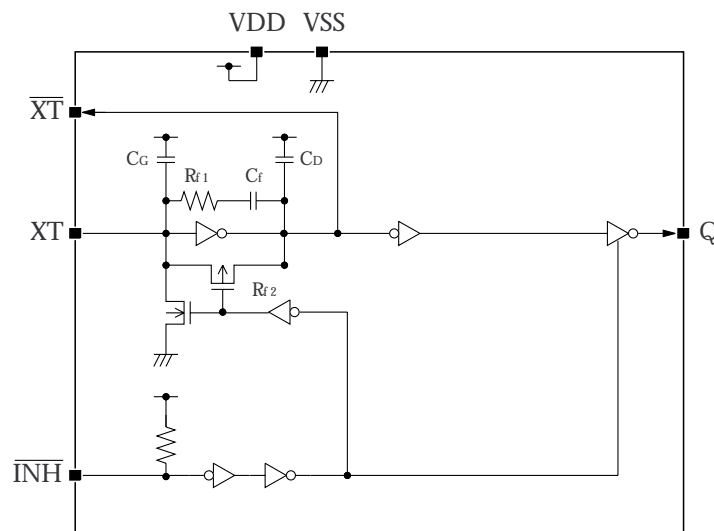
(Top View)



PIN DESCRIPTION and PAD DIMENSIONS

Number	Name	I/O	Description	Pad dimensions [μm]	
				X	Y
1	$\overline{\text{INH}}$	I	Output state control input. Oscillator stopped when LOW. Power-saving pull-up resistor built in	195	212
2	XT	I	Amplifier input.	385	212
3	$\overline{\text{XT}}$	O	Amplifier output.	575	212
4	VSS	-	Ground	766	212
5	Q	O	Output. Output frequency (f_0)	765	1152
6	NC	-	No connection	-	-
7	NC	-	No connection	-	-
8	VDD	-	Supply voltage	162	1152

BLOCK DIAGRAM



SPECIFICATIONS

Absolute Maximum Ratings

$V_{SS} = 0\text{ V}$

Parameter	Symbol	Condition	Rating	Unit
Supply voltage range	V_{DD}		-0.5 to 7.0	V
Input voltage range	V_{IN}		-0.5 to $V_{DD} + 0.5$	V
Output voltage range	V_{OUT}		-0.5 to $V_{DD} + 0.5$	V
Operating temperature range	T_{opr}		-40 to 85	°C
Storage temperature range	T_{stg}	Chip form	-65 to 150	°C
		8-pin VSOP	-40 to 125	
Output current	I_{OUT}		25	mA
Power dissipation	P_D	8-pin VSOP	300	mW

Recommended Operating Conditions

CF5005AL×

$V_{SS} = 0\text{ V}$, $f \leq 125\text{MHz}$ unless otherwise noted.

Parameter	Symbol	Condition	Rating			Unit
			min	typ	max	
Supply voltage	V_{DD}	$C_L \leq 15\text{pF}$	2.7	-	3.6	V
		$C_L \leq 30\text{pF}$	3.0	-	3.6	
Input voltage	V_{IN}		V_{SS}	-	V_{DD}	V
Operating temperature	T_{OPR}		-20	-	80	°C

CF5005ALA/CF5005ALD

$V_{SS} = 0\text{ V}$, $f \leq 70\text{MHz}$ unless otherwise noted.

Parameter	Symbol	Condition	Rating			Unit
			min	typ	max	
Supply voltage	V_{DD}	$C_L \leq 30\text{pF}$	2.25	-	2.75	V
Input voltage	V_{IN}		V_{SS}	-	V_{DD}	V
Operating temperature	T_{OPR}		-20	-	80	°C

SM5005AL×V

$V_{SS} = 0\text{ V}$, $f \leq 125\text{MHz}$ unless otherwise noted.

Parameter	Symbol	Condition	Rating			Unit
			min	typ	max	
Supply voltage	V_{DD}	$C_L \leq 15\text{pF}$	2.7	-	3.6	V
Input voltage	V_{IN}		V_{SS}	-	V_{DD}	V
Operating temperature	T_{OPR}		-20	-	80	°C

SM5005 series

Electrical Characteristics

$V_{DD} = 2.7$ to 3.6 V, $V_{SS} = 0$ V, $T_a = -20$ to 80 °C unless otherwise noted.

Parameter	Symbol	Condition		Rating			Unit	
				min	typ	max		
HIGH-level output voltage	V_{OH}	Q: Measurement cct 1, $V_{DD} = 2.7$ V, $I_{OH} = 8$ mA		2.2	2.4	-	V	
LOW-level output voltage	V_{OL}	Q: Measurement cct 2, $V_{DD} = 2.7$ V, $I_{OL} = 8$ mA		-	0.3	0.4	V	
Output leakage current	I_Z	Q: Measurement cct 2, $\overline{INH} = \text{LOW}$, $V_{DD} = 3.6$ V	$V_{OH} = V_{DD}$	-	-	10	μA	
			$V_{OL} = V_{SS}$	-	-	10		
HIGH-level input voltage	V_{IH}	\overline{INH}		$0.7V_{DD}$	-	-	V	
LOW-level input voltage	V_{IL}	\overline{INH}		-	-	$0.3V_{DD}$	V	
Current consumption	I_{DD}	$\overline{INH} = \text{open}$, Measurement cct 3, load cct 1, $V_{DD} = 3.0$ V to 3.6 V $f = 125$ MHz	$C_L = 30$ pF	CF5005AL×	-	40	100	mA
			$C_L = 15$ pF	SM5005AL×V CF5005AL×	-	25	60	
Standby current	I_{ST}	$\overline{INH} = \text{LOW}$, Measurement cct 3		-	-	10	μA	
\overline{INH} pull-up resistance	R_{UP1}	Measurement cct 4, $\overline{INH} = \text{LOW}$		0.4	-	4	M Ω	
	R_{UP2}	Measurement cct 4, $\overline{INH} = 0.7V_{DD}$		50	-	150	k Ω	
AC feedback resistance	R_{f1}	Design value, determined by the internal wafer pattern	SM5005ALAV CF5005ALA	1.76	2.2	2.64	k Ω	
			SM5005ALBV CF5005ALB	2.64	3.3	3.96		
			SM5005ALCV CF5005ALC	3.68	4.6	5.52		
			CF5005ALD	2.80	3.5	4.20		
DC feedback resistance	R_{f2}	Measurement cct 5		50	-	150	k Ω	
AC feedback capacitance	C_f	Design value, determined by the internal wafer pattern		9.3	10	10.7	pF	
Built-in capacitance	C_G	Design value, determined by the internal wafer pattern	SM5005ALAV CF5005ALA CF5005ALD	7.44	8	8.56	pF	
			SM5005ALBV CF5005ALB	5.58	6	6.42		
			SM5005ALCV CF5005ALC	2.79	3	3.21		
	C_D	Design value, determined by the internal wafer pattern	SM5005ALAV CF5005ALA CF5005ALD	9.3	10	10.7	pF	
			SM5005ALBV CF5005ALB	5.58	6	6.42		
			SM5005ALCV CF5005ALC	2.79	3	3.21		

Switching Characteristics

3V operation

$V_{SS} = 0\text{ V}$, $T_a = -20\text{ to }80\text{ }^\circ\text{C}$ unless otherwise noted.

Parameter	Symbol	Condition	Rating			Unit		
			min	typ	max			
Output rise time	t_{r1}	Measurement cct 3, load cct 1, $0.1V_{DD}$ to $0.9V_{DD}$	$C_L = 15\text{ pF}$, $V_{DD} = 2.7\text{V to }3.6\text{V}$	SM5005AL×V CF5005AL×	-	1	3	ns
	t_{r2}		$C_L = 30\text{ pF}$, $V_{DD} = 3.0\text{V to }3.6\text{V}$	CF5005AL×	-	1.5	4	
Output fall time	t_{f1}	Measurement cct 3, load cct 1, $0.9V_{DD}$ to $0.1V_{DD}$	$C_L = 15\text{ pF}$, $V_{DD} = 2.7\text{V to }3.6\text{V}$	SM5005AL×V CF5005AL×	-	1	3	ns
	t_{f2}		$C_L = 30\text{ pF}$, $V_{DD} = 3.0\text{V to }3.6\text{V}$	CF5005AL×	-	1.5	4	
Output duty cycle ¹	Duty	Measurement cct 3, load cct 1, $T_a = 25\text{ }^\circ\text{C}$, $V_{DD} = 3.0\text{ V}$	$C_L = 30\text{ pF}$, $f \leq 125\text{ MHz}$	CF5005AL×	45	-	55	%
			$C_L = 15\text{ pF}$, $f \leq 107\text{ MHz}$	SM5005AL×V	45	-	55	
			$C_L = 15\text{ pF}$, $107\text{ MHz} < f < 125\text{ MHz}$		40	-	60	
Output disable delay time ²	t_{PLZ}	Measurement cct 6, $T_a = 25\text{ }^\circ\text{C}$, $V_{DD} = 2.7\text{ V}$, $C_L \leq 15\text{ pF}$			-	-	100	ns
Output enable delay time ²	t_{PZL}	Measurement cct 6, $T_a = 25\text{ }^\circ\text{C}$, $V_{DD} = 2.7\text{ V}$, $C_L \leq 15\text{ pF}$			-	-	100	ns

1. Monitored in sample lots.

2. Oscillator stop function is built-in. When $\overline{\text{INH}}$ goes LOW, normal output stops. When $\overline{\text{INH}}$ goes HIGH, normal output is not resumed until after the oscillator start-up time has elapsed.

2.5V operation

$V_{SS} = 0\text{ V}$, $T_a = -20\text{ to }80\text{ }^\circ\text{C}$ unless otherwise noted.

Parameter	Symbol	Condition	Rating			Unit		
			min	typ	max			
Output rise time	t_{r3}	Measurement cct 3, load cct 1, $0.1V_{DD}$ to $0.9V_{DD}$	$C_L = 30\text{ pF}$, $V_{DD} = 2.25\text{V to }2.75\text{V}$	CF5005ALA CF5005ALD	-	2	6	ns
Output fall time	t_{f3}	Measurement cct 3, load cct 1, $0.9V_{DD}$ to $0.1V_{DD}$	$C_L = 30\text{ pF}$, $V_{DD} = 2.25\text{V to }2.75\text{V}$	CF5005ALA CF5005ALD	-	2	6	ns
Output duty cycle ¹	Duty	Measurement cct 3, load cct 1, $T_a = 25\text{ }^\circ\text{C}$, $V_{DD} = 2.5\text{ V}$	$C_L = 30\text{ pF}$, $f \leq 70\text{ MHz}$	CF5005ALA CF5005ALD	40	-	60	%
Output disable delay time ²	t_{PLZ}	Measurement cct 6, $T_a = 25\text{ }^\circ\text{C}$, $V_{DD} = 2.25\text{ V}$, $C_L \leq 15\text{ pF}$			-	-	300	ns
Output enable delay time ²	t_{PZL}	Measurement cct 6, $T_a = 25\text{ }^\circ\text{C}$, $V_{DD} = 2.25\text{ V}$, $C_L \leq 15\text{ pF}$			-	-	300	ns

1. Monitored in sample lots.

2. Oscillator stop function is built-in. When $\overline{\text{INH}}$ goes LOW, normal output stops. When $\overline{\text{INH}}$ goes HIGH, normal output is not resumed until after the oscillator start-up time has elapsed.

FUNCTIONAL DESCRIPTION

Standby Function

The oscillator stops when $\overline{\text{INH}}$ goes LOW. When the oscillator stops, the oscillator output on Q goes high impedance.

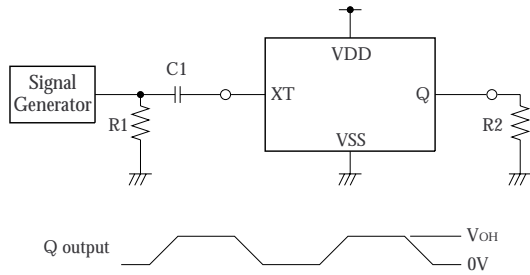
$\overline{\text{INH}}$	Q	Oscillator
HIGH (or open)	f_0 output frequency	Normal operation
LOW	High impedance	Stopped

Power-save Pull-up Resistance

The $\overline{\text{INH}}$ pull-up resistance changes in response to the input level (HIGH or LOW). When $\overline{\text{INH}}$ goes LOW (standby state), the pull-up resistance becomes large to reduce the current consumption during standby.

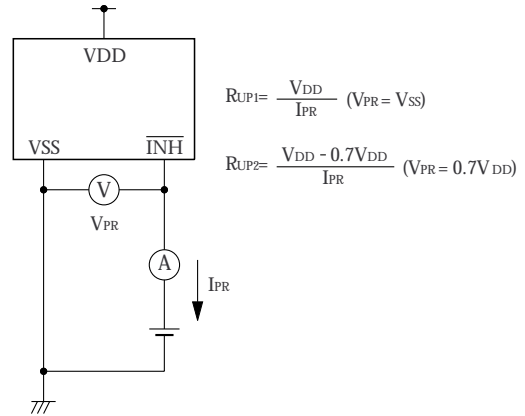
MEASUREMENT CIRCUITS

Measurement cct 1

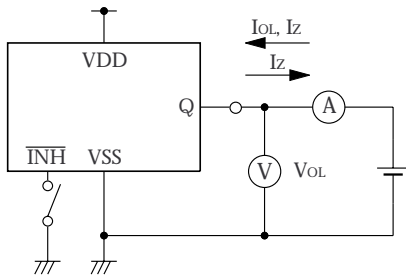


2.5V_{p-p}, 10MHz sine wave input signal
 C1 : 0.001μF
 R1 : 50Ω
 R2 : 275Ω

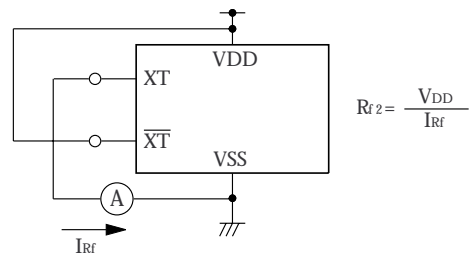
Measurement cct 4



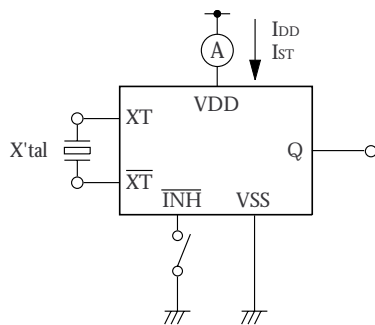
Measurement cct 2



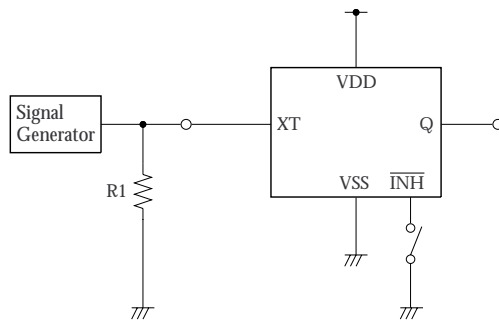
Measurement cct 5



Measurement cct 3

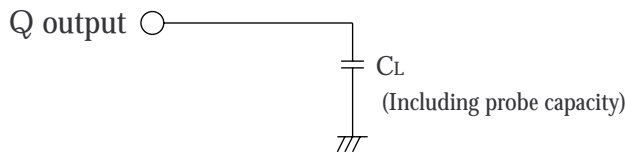


Measurement cct 6



R1 : 50Ω

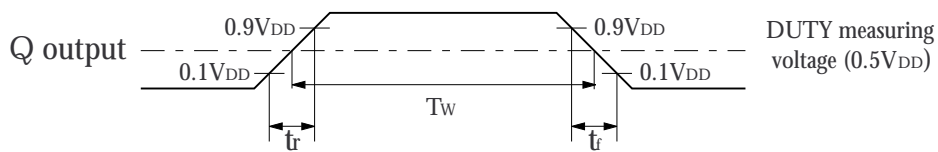
Load cct 1



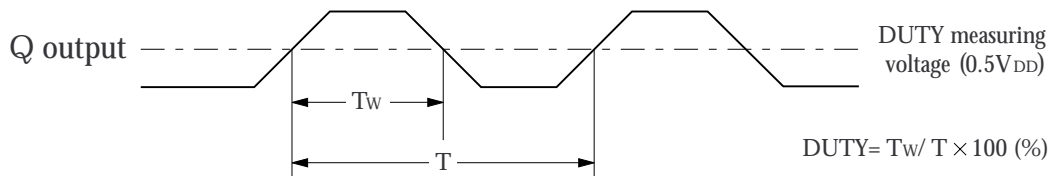
$C_L = 15\text{pF}: t_{r1}, t_{f1}, I_{DD}$ (SM5005AL×V, CF5005AL×)
 $C_L = 30\text{pF}: t_{r2}, t_{f2}, t_{r3}, t_{f3}, I_{DD}$ (CF5005AL×)

Switching Time Measurement Waveform

Output duty level (CMOS)

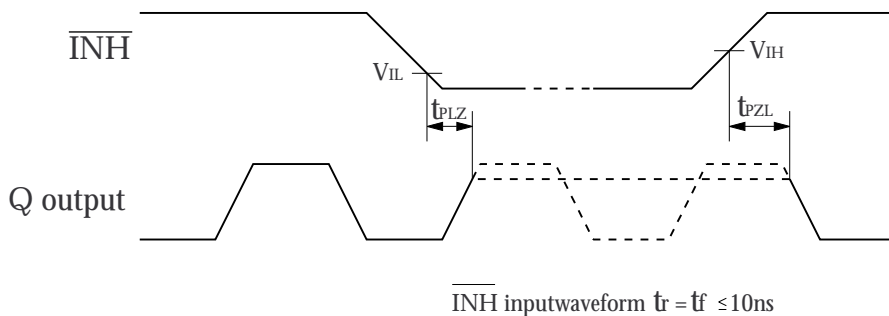


Output duty cycle (CMOS)



Output Enable/Disable Delay

The following figure shows the oscillator timing during normal operation. Note that when the device is in standby, the oscillator stops. When standby is released, the oscillator starts and stable oscillator output occurs after a short delay.



NIPPON PRECISION CIRCUITS INC. reserves the right to make changes to the products described in this data sheet in order to improve the design or performance and to supply the best possible products. Nippon Precision Circuits Inc. assumes no responsibility for the use of any circuits shown in this data sheet, conveys no license under any patent or other rights, and makes no claim that the circuits are free from patent infringement. Applications for any devices shown in this data sheet are for illustration only and Nippon Precision Circuits Inc. makes no claim or warranty that such applications will be suitable for the use specified without further testing or modification. The products described in this data sheet are not intended to use for the apparatus which influence human lives due to the failure or malfunction of the products. Customers are requested to comply with applicable laws and regulations in effect now and hereinafter, including compliance with export controls on the distribution or dissemination of the products. Customers shall not export, directly or indirectly, any products without first obtaining required licenses and approvals from appropriate government agencies.



NIPPON PRECISION CIRCUITS INC.

4-3, Fukuzumi 2-chome
Koto-ku, Tokyo 135-8430, Japan
Telephone: 03-3642-6661
Facsimile: 03-3642-6698

NC9805CE 1999.07