

## OVERVIEW

The SM5013 Series crystal oscillator module ICs fabricated in NPC's Molybdenum-gate CMOS. They comprise low-voltage low-current consumption

oscillator circuits and output buffers. They incorporate built-in oscillation capacitance with superior frequency response to realize.

## FEATURES

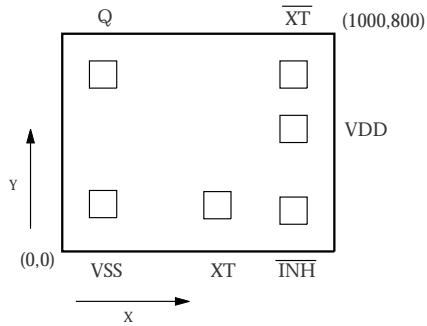
- 4.5 to 5.5 V supply voltage
- Oscillation capacitances built-in ( $C_G$  and  $C_D$ )
- Output drive capability : 8 mA ( $V_{DD} = 4.5V$ )
- Output duty level
  - SM5013KDH : CMOS
  - SM5013LDH : TTL
- 3rd overtone oscillation
- Output frequency :  $f_o$  (Oscillation frequency)
- Input level : TTL
- 3 state function
- 6 pin SOT (SM5013×DH)
- Chip form (CF5013×D)

## ORDERING INFORMATION

Device	Package
SM5013×DH	6pinSOT
CF5013×D	Chip form

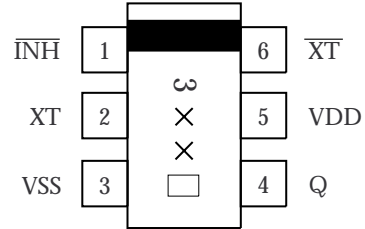
### PAD DIMENSIONS

( UNIT :  $\mu\text{m}$  )



### PIN OUT

( Top View )



### PAD COORDINATES

Pad	Coordinate( $\mu\text{m}$ )	
	X	Y
VSS	150	174
XT	570	170
$\overline{\text{INH}}$	850	150
VDD	850	450
$\overline{\text{XT}}$	850	650
Q	150	650

### PIN DESCRIPTIONS

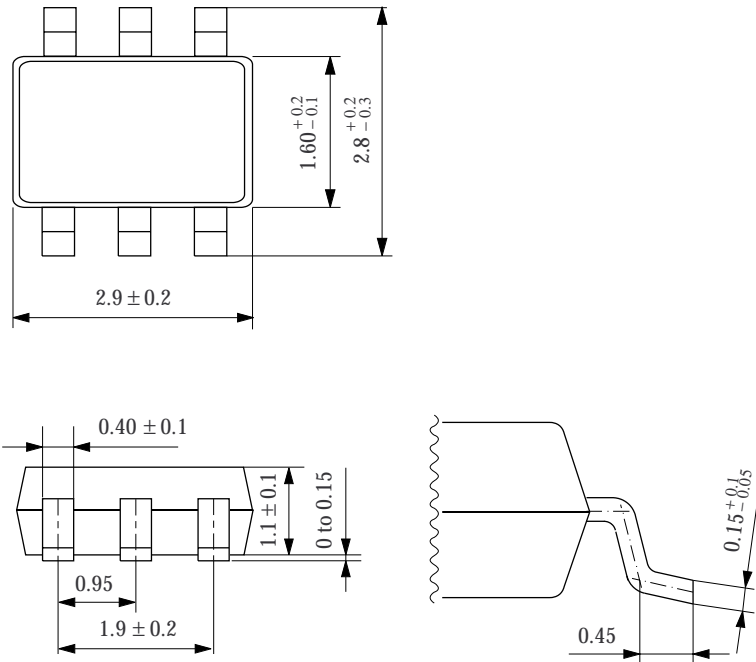
PIN	DESCRIPTION
XT	Oscillator input pin
$\overline{\text{XT}}$	Oscillator output pin
$\overline{\text{INH}}$	Output state control input pin ( with built-in pull-up resistance )
VDD	Supply voltage
VSS	Ground
Q	Output pin ( fo : Oscillator frequency )

Chip size :  $1.00 \times 0.80\text{mm}$   
 Chip thickness :  $250 \pm 30\mu\text{m}$   
 Chip reverse side :  $V_{\text{DD}}$  level

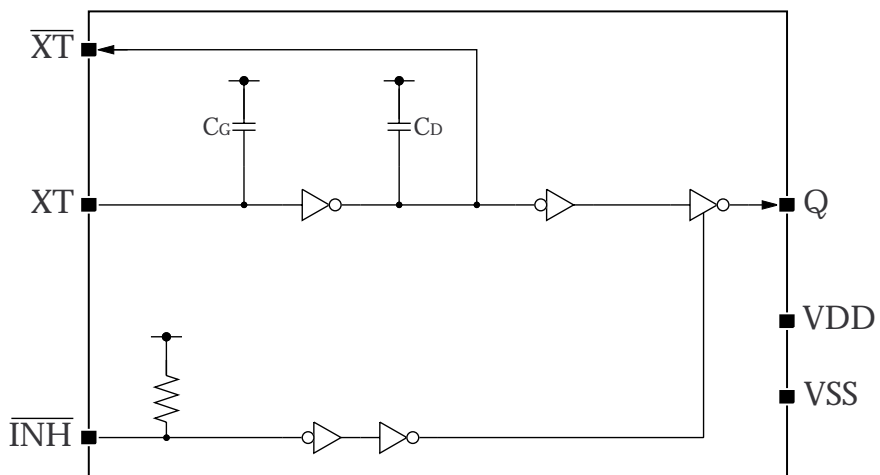
**PACKAGE DIMENSIONS**

(UNIT : mm)

- 6pin SOT



**BLOCK DIAGRAM**

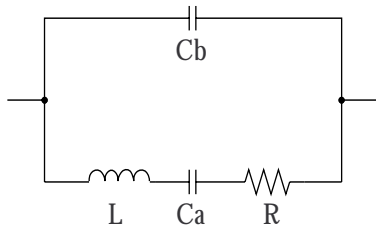


**DEVICE LIST**

Device	Target frequency range (MHz)	gm (relative value)	Output (stand by)	Internal capacitance	
				C <sub>G</sub> (pf)	C <sub>D</sub> (pf)
CF5013KD	22 to 70	CMOS	Hi-Z	8	15
CF5013LD	22 to 70	TTL	Hi-Z	8	15

Note that the operating frequency is highly dependent on the frequency of the crystal used.

**Current consumption and Output waveform with NPC's standard crystal**



f (MHz)	R (Ω)	L (mH)	Ca (fF)	Cb (pF)
30	18.62	16.24	1.733	5.337
40	20.53	11.34	1.396	3.989
50	22.17	7.40	1.370	4.105
60	22.20	5.05	1.388	4.226
70	25.42	4.18	1.254	5.170

## SPECIFICATIONS

### Absolute Maximum Ratings

$V_{SS} = 0V$ , unless otherwise noted.

Parameter	Symbol	Condition	Rating	unit
Supply voltage range	$V_{DD}$		- 0.5 to + 7.0	V
Input voltage range	$V_{IN}$		- 0.5 to $V_{DD} + 0.5$	V
Output voltage range	$V_{OUT}$		- 0.5 to $V_{DD} + 0.5$	V
Operating temperature range	$T_{opr}$		- 40 to + 85	°C
Standard temperature range	$T_{STG}$	SOT6	- 55 to + 125	°C
		Chip form	- 65 to + 150	°C
Output current	$I_{OUT}$		13	mA
Power dissipation	$P_W$	SOT6	250	mW
Soldering temperature	$T_{SLD}$	SOT6	255	°C
Soldering time	$t_{SLD}$	SOT6	10	s

### Recommended Operating Conditions

$V_{SS} = 0V$ , unless otherwise noted.

Parameter	Symbol	Condition	Limit			unit
			min	typ	max	
Supply Voltage	$V_{DD}$		4.5	-	5.5	V
Input voltage	$V_{IN}$		$V_{SS}$	-	$V_{DD}$	V
Operating temperature	$T_{OPR}$		- 20	-	+ 80	°C

### Electrical Characteristics

$V_{DD} = 4.5$  to  $5.5V$ ,  $V_{SS} = 0V$ ,  $T_a = - 20$  to  $80$  °C, unless otherwise noted.

Parameter	Symbol	Condition	Limit			unit	
			min	typ	max		
HIGH - level output voltage	$V_{OH}$	Q pin, test circuit 1, $V_{DD} = 4.5V$ , $I_{OH} = 8mA$	3.9	4.2	-	V	
LOW - level output voltage	$V_{OL}$	Q pin, test circuit 2, $V_{DD} = 4.5V$ , $I_{OL} = 8mA$	-	0.3	0.4	V	
Output leakage current	$I_Z$	Q pin, test circuit 2, $\overline{INH} = Low$ , $V_{DD} = 5.5V$	$V_{OH} = V_{DD}$	-	-	10	μA
			$V_{OL} = V_{SS}$	-	-	10	μA
HIGH - level input voltage	$V_{IH}$	$\overline{INH}$ pin	2.0	-	-	V	
LOW - level input voltage	$V_{IL}$	$\overline{INH}$ pin	-	-	0.8	V	
Current consumption	$I_{DD}$	$\overline{INH} = OPEN$ , test circuit 3, $C_L = 15pF$ , $f = 70MHz$	CF5013KD, load circuit 1	-	28	45	mA
			CF5013LD, load circuit 2	-	28	45	mA
Pull - up resistance	$R_{UP}$	$\overline{INH}$ pin, test circuit 4	25	100	250	kΩ	
Internal capacitance	$C_G$	Design value, determined by the internal wafer pattern	7.2	8	8.8	pF	
	$C_D$		13.5	15	16.5	pF	

**Switching Characteristics****CF5013KD (Duty level CMOS )**

$V_{DD} = 4.5$  to  $5.5V$ ,  $V_{SS} = 0V$ ,  $T_a = -20$  to  $80\text{ }^\circ\text{C}$ , unless otherwise noted.

Parameter	Symbol	Condition	Limit			unit
			min	typ	max	
Output rise time	$t_r$	Test circuit 5, load circuit 1, $C_L = 15\text{pF}$ , $0.1V_{DD} \rightarrow 0.9V_{DD}$	–	3.5	7	ns
Output fall time	$t_f$	Test circuit 5, load circuit 1, $C_L = 15\text{pF}$ , $0.9V_{DD} \rightarrow 0.1V_{DD}$	–	3.5	7	ns
Output duty cycle <sup>1</sup>	DUTY	Test circuit 5, $T_a = 25^\circ\text{C}$ , $V_{DD} = 5.0V$ load circuit 1, $C_L = 15\text{pF}$ , $f = 70\text{MHz}$	45	–	55	%
Output disable delay time	$t_{PLZ}$	Test circuit 5, $T_a = 25^\circ\text{C}$ , $V_{DD} = 5.0V$ , load circuit 1, $C_L = 15\text{pF}$	–	–	100	ns
Output enable delay time	$t_{PZL}$		–	–	100	ns

1. Determined by the lot monitor.

**CF5013LD (Duty level TTL )**

$V_{DD} = 4.5$  to  $5.5V$ ,  $V_{SS} = 0V$ ,  $T_a = -20$  to  $80\text{ }^\circ\text{C}$ , unless otherwise noted.

Parameter	Symbol	Condition	Limit			unit
			min	typ	max	
Output rise time	$t_r$	Test circuit 5, load circuit 2, $C_L = 15\text{pF}$ , $0.4V \rightarrow 2.4V$	–	2.5	7	ns
Output fall time	$t_f$	Test circuit 5, load circuit 2, $C_L = 15\text{pF}$ , $2.4V \rightarrow 0.4V$	–	2.5	7	ns
Output duty cycle <sup>1</sup>	DUTY	Test circuit 5, $T_a = 25^\circ\text{C}$ , $V_{DD} = 5.0V$ load circuit 2, $C_L = 15\text{pF}$ , $f = 70\text{MHz}$	45	–	55	%
Output disable delay time	$t_{PLZ}$	Test circuit 5, $T_a = 25^\circ\text{C}$ , $V_{DD} = 5.0V$ , load circuit 2, $C_L = 15\text{pF}$	–	–	100	ns
Output enable delay time	$t_{PZL}$		–	–	100	ns

1. Determined by the lot monitor.

**FUNCTIONAL DESCRIPTION****Stand – by Function**

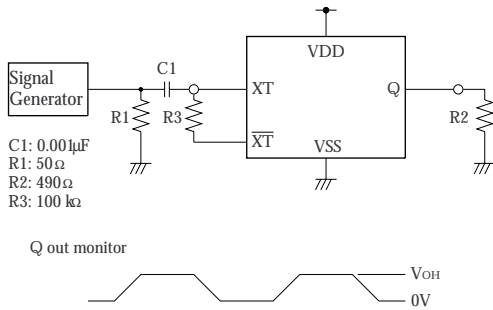
When  $\overline{\text{INH}}$  pin is Low-level, Q pin will be high-impedance.

$\overline{\text{INH}}$	Q
High(open)	Output
Low	Hi - Z

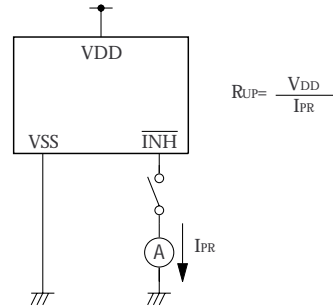
**TEST CIRCUITS**

**Test Circuit 1**

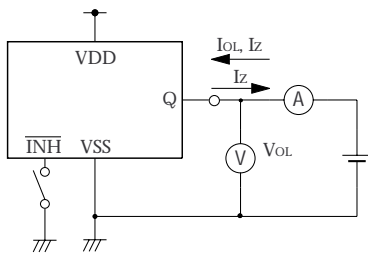
3.5 V<sub>P-P</sub>, 10MHz sine wave input signal



**Test Circuit 4**

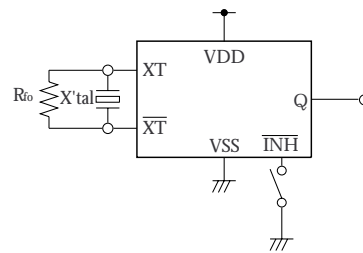


**Test Circuit 2**



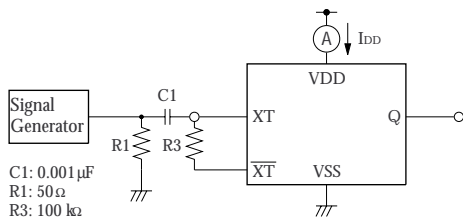
**Test Circuit 5**

X'tal = 70MHz  
Rfo = 2.7kΩ

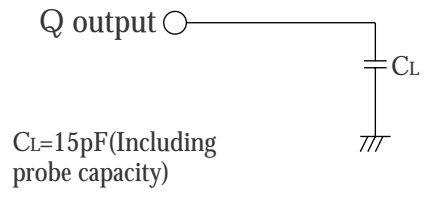


**Test Circuit 3**

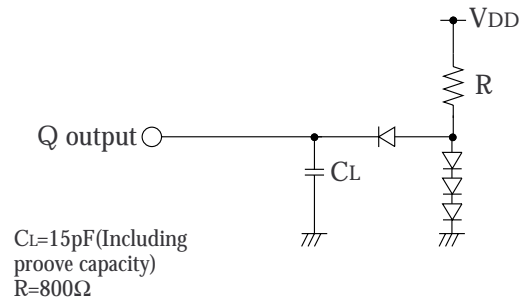
3.5 V<sub>P-P</sub>, 70MHz sine wave input signal



Load Circuit 1



Load Circuit 2

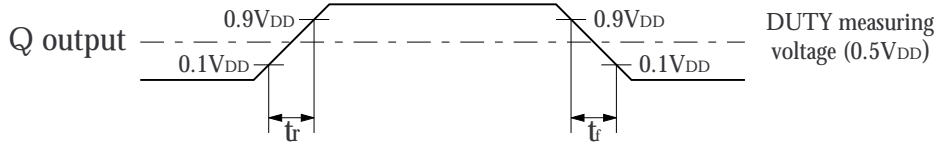




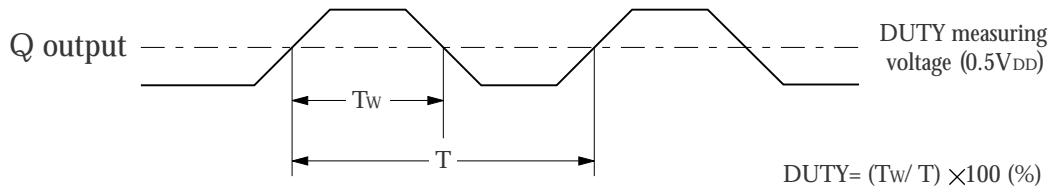
**Switching Time Test Waveforms**

**(1) SM5013KD (Duty level CMOS)**

- $t_r$ ,  $t_f$ , DUTY

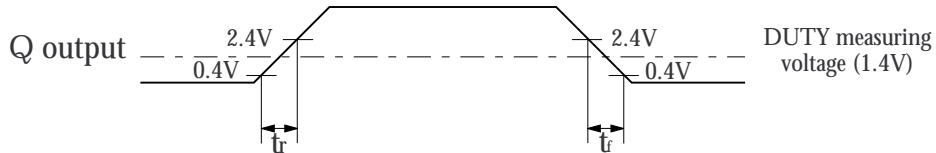


- Output duty cycle time

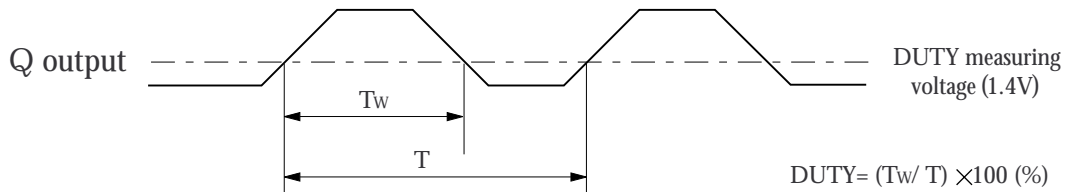


**(2) CF5013LD (Duty level TTL)**

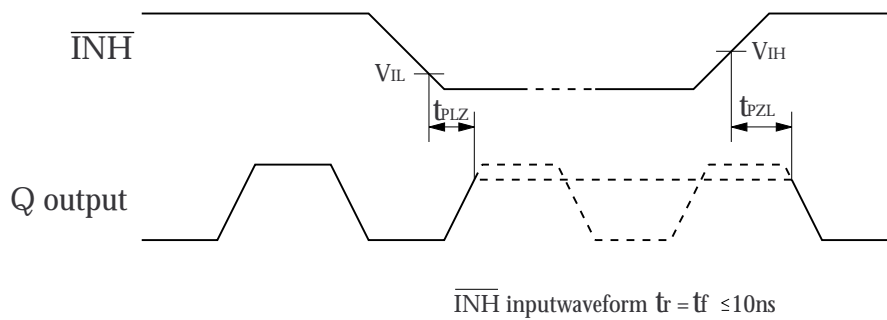
- $t_r$ ,  $t_f$ , DUTY



- Output duty cycle time



• Output Disable/Enable Delay Times



NIPPON PRECISION CIRCUITS INC. reserves the right to make changes to the products described in this data sheet in order to improve the design or performance and to supply the best possible products. Nippon Precision Circuits Inc. assumes no responsibility for the use of any circuits shown in this data sheet, conveys no license under any patent or other rights, and makes no claim that the circuits are free from patent infringement. Applications for any devices shown in this data sheet are for illustration only and Nippon Precision Circuits Inc. makes no claim or warranty that such applications will be suitable for the use specified without further testing or modification. The products described in this data sheet are not intended to use for the apparatus which influence human lives due to the failure or malfunction of the products. Customers are requested to comply with applicable laws and regulations in effect now and hereinafter, including compliance with export controls on the distribution or dissemination of the products. Customers shall not export, directly or indirectly, any products without first obtaining required licenses and approvals from appropriate government agencies.

**NPC**  
NIPPON PRECISION CIRCUITS INC.

NIPPON PRECISION CIRCUITS INC.

4-3, 2-chome Fukuzumi  
Koto-ku, Tokyo 135-8430, Japan  
Telephone: 03-3642-6661  
Facsimile: 03-3642-6698

NC9621CE 1998.08