

OVERVIEW

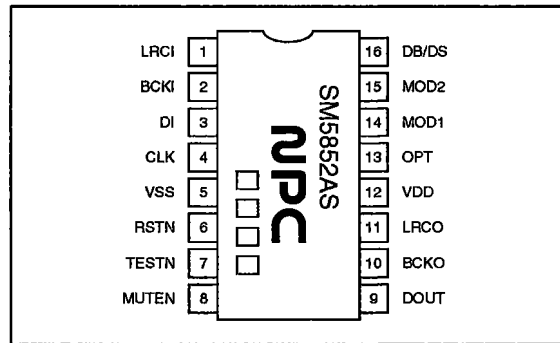
The SM5852AS is a digital signal processor IC that features Digital Dynamic Bass Boost (DDBB) and Digital Dynamic-range compression Sound (DDS) functions, making it ideal for use in digital audio playback equipment. It is TTL-compatible and is designed for a 44.1 kHz sampling frequency.

The SM5852AS operates from a 3.2 to 5.5 V supply and is available in 16-pin SOPs.

FEATURES

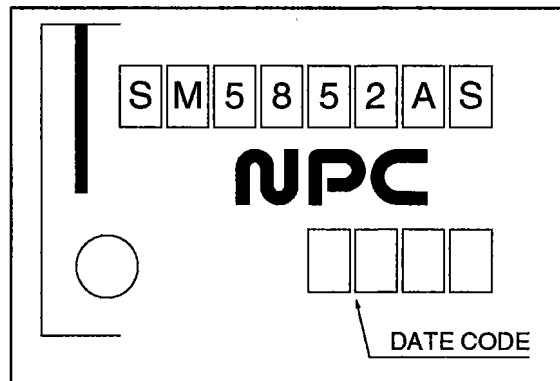
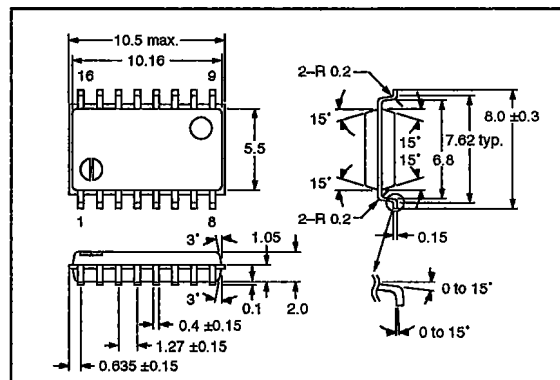
- 2-channel (L, R) signal processing
 - Digital Dynamic Bass Boost (DDBB) function
 - Digital Dynamic-range compression Sound (DDS) function
 - DDBB/DDS function switching
 - DDBB/DDS processing OFF mode
 - Variable dynamic gain selection (MIN, MID, MAX)
- System compatibility
 - 16-bit serial I/O interface
 - 2s complement data with msb first
 - 384fs system clock frequency
 - TTL-compatible
 - 3.2 to 5.5 V operation
 - 16-pin SOP
- Other features
 - Molygate[®] CMOS process
 - Soft mute and reset functions
 - High-precision arithmetic operation

PINOUT



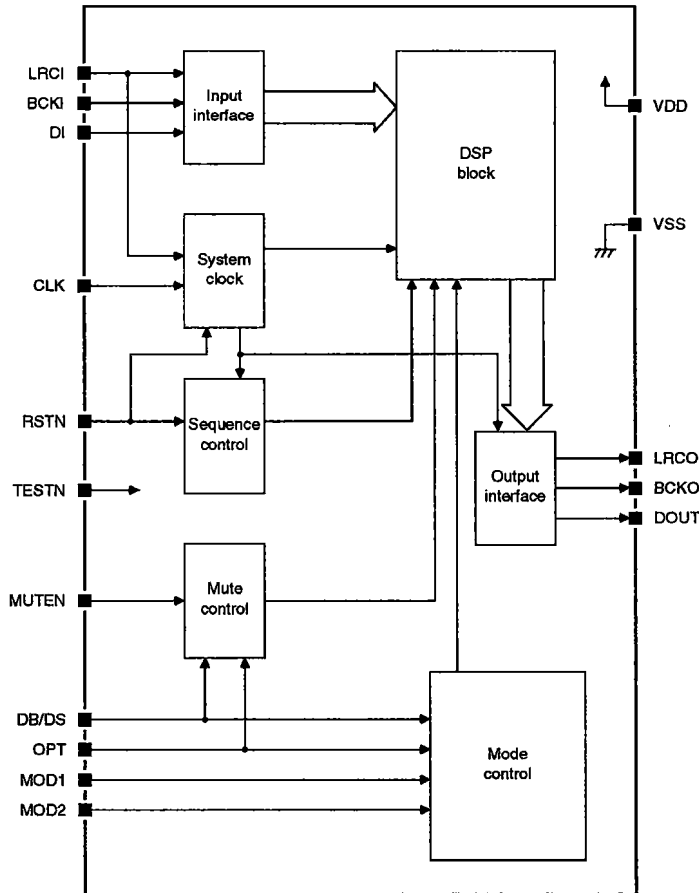
PACKAGE DIMENSIONS AND MARKINGS

Unit: mm



SM5852AS

BLOCK DIAGRAM



PIN DESCRIPTION

Number	Name	Description
1	LRCI	Sampling rate (fs) clock input. Internal pull-up resistor
2	BCKI	Bit-clock input. Internal pull-up resistor
3	DI	Serial data input. Internal pull-up resistor
4	CLK	System clock input
5	VSS	Ground
6	RSTN	Reset when LOW. Internal pull-up resistor
7	TESTN	Test when LOW. Internal pull-up resistor
8	MUTEN	Mute when LOW. Internal pull-up resistor
9	DOUT	Serial data output
10	BCKO	Bit-clock output
11	LRCO	Sampling rate (fs) clock output
12	VDD	3.2 to 5.5 V supply voltage
13	OPT	Tied to DB/DS. Internal pull-up resistor
14	MOD1	DDBB/DDS gain-select 1. Internal pull-up resistor

SM5852AS

Number	Name	Description
15	MOD2	DDBB/DDS gain-select 2. Internal pull-up resistor
16	DB/DS	DDBB/DDS function switch. DDBB when HIGH and DDS when LOW. Internal pull-up resistor

SPECIFICATIONS

Absolute Maximum Ratings

$V_{SS} = 0 \text{ V}$

Parameter	Symbol	Rating	Unit
Supply voltage range	V_{DD}	-0.3 to 7.0	V
Input voltage range	V_I	-0.3 to $V_{DD} + 0.3$	V
Power dissipation	P_D	250	mW
Operating temperature range	T_{opr}	-20 to 80	deg. C
Storage temperature range	T_{stg}	-40 to 125	deg. C
Soldering temperature	T_{SLD}	255	deg. C
Soldering time	t_{SLD}	10	s

Recommended Operating Conditions

$V_{SS} = 0 \text{ V}$, $T_a = 25 \text{ deg. C}$

Parameter	Symbol	Rating	Unit
Supply voltage	V_{DD}	5.0	V
Supply voltage range	V_{DD}	3.2 to 5.5	V

DC Electrical Characteristics

Standard voltage operation

$V_{DD} = 4.5 \text{ to } 5.5 \text{ V}$, $V_{SS} = 0 \text{ V}$, $T_a = -20 \text{ to } 80 \text{ deg. C}$ unless otherwise noted

Parameter	Symbol	Condition	Rating			Unit
			min	typ	max	
Current consumption	I_{DD}	$V_{DD} = 5.0 \text{ V}$. See note 1.	-	16	23	mA
LOW-level input voltage. See note 2.	V_{IL}		-	-	0.5	V
HIGH-level input voltage. See note 2.	V_{IH}		2.4	-	-	V
LOW-level output voltage. See note 3.	V_{OL}	$I_{OL} = 1.6 \text{ mA}$	-	-	0.4	V
HIGH-level output voltage. See note 3.	V_{OH}	$I_{OH} = -0.4 \text{ mA}$	2.5	-	-	V
CLK LOW-level input leakage current	I_{LL}	$V_I = 0 \text{ V}$	-	-	1.0	μA

SM5852AS

Parameter	Symbol	Condition	Rating			Unit
			min	typ	max	
CLK HIGH-level input leakage current. See note 2.	I_{LH}	$V_I = V_{DD}$	–	–	1.0	μA
Input current. See note 2.	I_{IL}	$V_I = 0 V$	–	–	20	μA

Notes

1. Clock input frequency is 384fs (16.9344 MHz). Unloaded output. Measurements based on NPC specified input data.
2. Pins LRCL, BCKI, DI, RSTN, TESTN, MUTEN, OPT, MOD1, MOD2 and DB/DS
3. Pins LRCL, BCKO and DOUT

Low-voltage operation

$V_{DD} = 3.2$ to $4.5 V$, $V_{SS} = 0 V$, $T_a = -20$ to 70 deg. C unless otherwise noted

Parameter	Symbol	Condition	Rating			Unit
			min	typ	max	
Current consumption	I_{DD}	$V_{DD} = 3.4 V$. See note 1.	–	7	10	mA
LOW-level input voltage. See note 2.	V_{IL}		–	–	0.5	V
HIGH-level input voltage. See note 2.	V_{IH}		2.4	–	–	V
LOW-level output voltage. See note 3.	V_{OL}	$I_{OL} = 0.8 mA$	–	–	0.4	V
HIGH-level output voltage. See note 3.	V_{OH}	$I_{OH} = -0.2 mA$	2.5	–	–	V
CLK LOW-level input leakage current	I_{LL}	$V_I = 0 V$	–	–	1.0	μA
CLK HIGH-level input leakage current. See note 2.	I_{LH}	$V_I = V_{DD}$	–	–	1.0	μA
Input current. See note 2.	I_{IL}	$V_I = 0 V$	–	–	12	μA

Notes

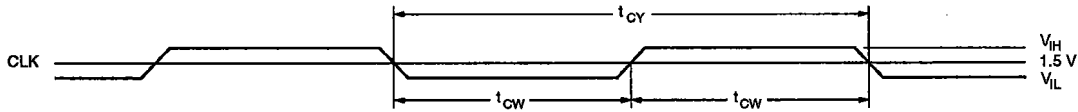
1. Clock input frequency is 384fs (16.9344 MHz). Unloaded output. Measurements based on NPC specified input data.
2. Pins LRCL, BCKI, DI, RSTN, TESTN, MUTEN, OPT, MOD1, MOD2 and DB/DS
3. Pins LRCL, BCKO and DOUT

AC Electrical Characteristics

System clock (384fs)

$V_{DD} = 3.2$ to 4.5 V, $V_{SS} = 0$ V, $T_a = -20$ to 70 deg. C or $V_{DD} = 4.5$ to 5.5 V, $V_{SS} = 0$ V, $T_a = -20$ to 80 deg. C

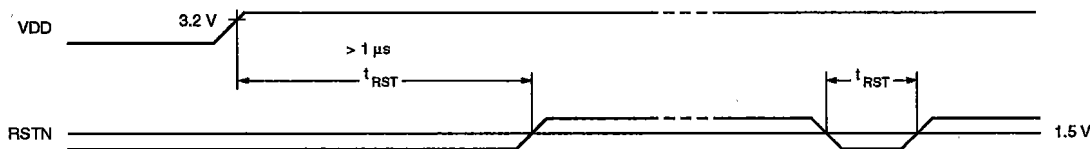
Parameter	Symbol	Rating			Unit
		min	typ	max	
Clock pulsewidth	t_{CW}	24	–	500	ns
Clock pulse cycle	t_{CY}	50	59	1000	ns



System reset (RSTN)

$V_{DD} = 3.2$ to 4.5 V, $V_{SS} = 0$ V, $T_a = -20$ to 70 deg. C or $V_{DD} = 4.5$ to 5.5 V, $V_{SS} = 0$ V, $T_a = -20$ to 80 deg. C

Parameter	Symbol	Rating			Unit
		min	typ	max	
Reset pulsewidth at power-on	t_{RST}	1.0	–	–	μ s
Reset pulsewidth at other times		0.05	–	1.0	

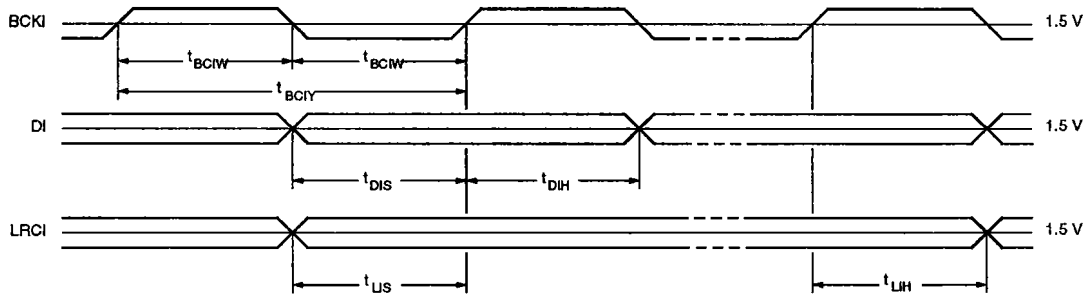


Serial input timing

$V_{DD} = 3.2$ to 4.5 V, $V_{SS} = 0$ V, $T_a = -20$ to 70 deg. C or $V_{DD} = 4.5$ to 5.5 V, $V_{SS} = 0$ V, $T_a = -20$ to 80 deg. C

Parameter	Symbol	Rating			Unit
		min	typ	max	
BCKI pulsewidth	t_{BCW}	100	–	–	ns
BCKI pulse cycle	t_{BCY}	200	–	–	ns
DI setup time	t_{DIS}	75	–	–	ns
DI hold time	t_{DIH}	75	–	–	ns
LRCI setup time	t_{LIS}	75	–	–	ns
LRCI hold time	t_{LIH}	75	–	–	ns

SM5852AS



DDBB/DDS function switch (DB/DS, OPT)

$V_{DD} = 3.2$ to 4.5 V, $V_{SS} = 0$ V, $T_a = -20$ to 70 deg. C or $V_{DD} = 4.5$ to 5.5 V, $V_{SS} = 0$ V, $T_a = -20$ to 80 deg. C

Parameter	Symbol	Rating			Unit
		min	typ	max	
Minimum pulsewidth	t_w	$2/f_s$	–	–	ns

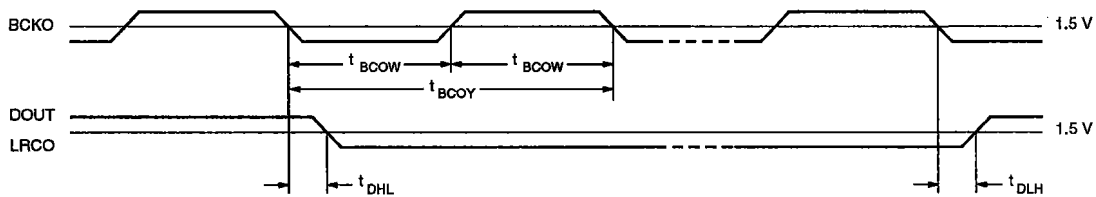
Note

If the level on DB/DS and OPT is changed, an input level of $2/f_s$ ($2 \times$ LRCI cycles) must be maintained. If the signal pulsewidth is less than $2/f_s$, the input signal may be ignored.

Serial output timing

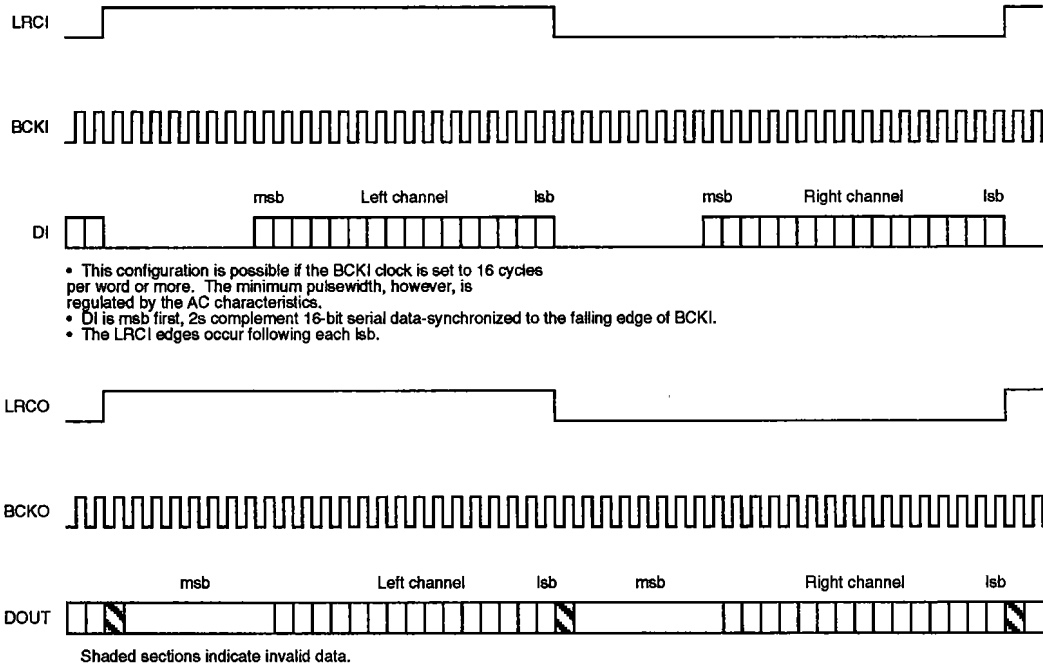
$V_{DD} = 3.2$ to 4.5 V, $V_{SS} = 0$ V, $T_a = -20$ to 70 deg. C, $C_L = 15$ pF or $V_{DD} = 4.5$ to 5.5 V, $V_{SS} = 0$ V, $T_a = -20$ to 80 deg. C, $C_L = 15$ pF

Parameter	Symbol	Rating			Unit
		min	typ	max	
BCKO pulsewidth	t_{BCOW}	180	$1/96f_s$	–	ns
BCKO pulse cycle	t_{BCOY}	400	$1/48f_s$	–	ns
DOUT and LRCO output delay time	t_{DHL}	–20	–	60	ns
	t_{DLH}	–20	–	60	ns



FUNCTIONAL DESCRIPTION

Input/Output Timing



Digital Dynamic Bass Boost (DDBB) Function

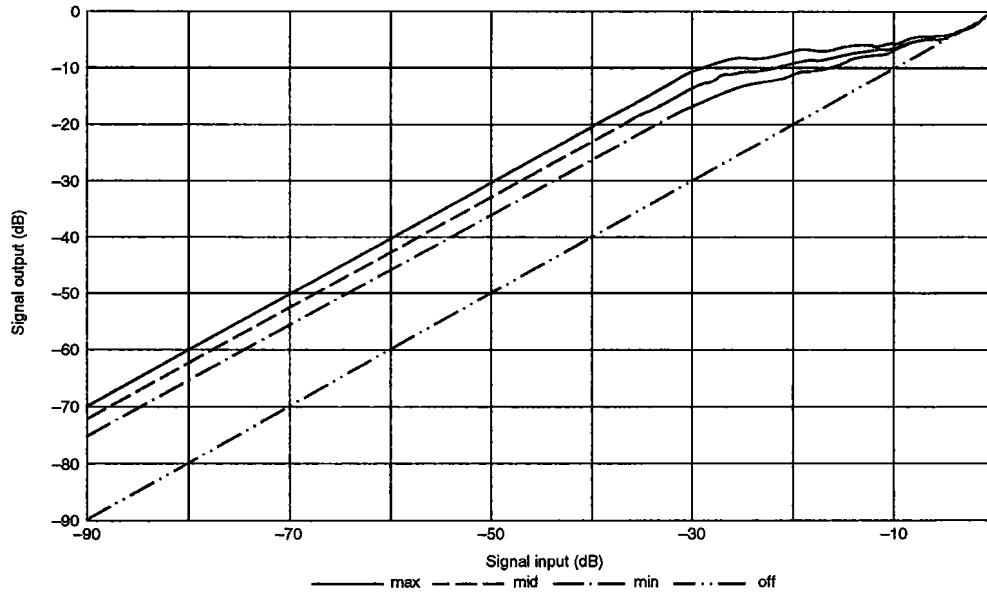
The Digital Dynamic Bass Boost (DDBB) function enhances the low-frequency components of the left and right channels through filtering and signal processing. An application-specific, 3rd-order, IIR

lowpass filter isolates the low-frequency components of the signal, which are then amplified according to DDBB/DDS gain select function states.

Digital Dynamic Bass Boost (DDBB) gain selection truth table

DB/DS, OPT	MOD1	MOD2	Gain mode
HIGH	LOW	LOW	MAX
HIGH	HIGH	LOW	MID
HIGH	LOW	HIGH	MIN
HIGH	HIGH	HIGH	OFF

Low frequency-band gain response

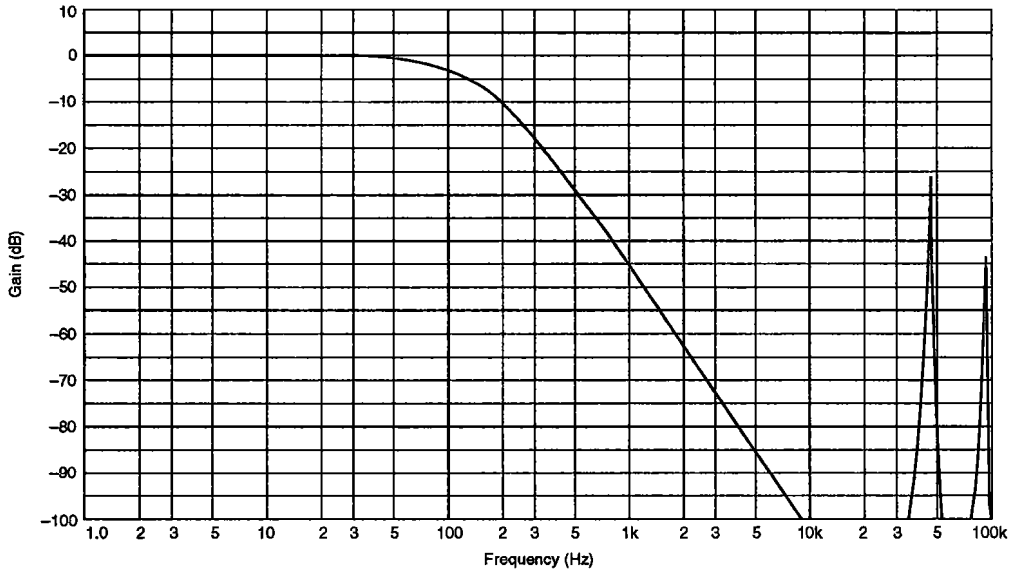


Input/output gain characteristics

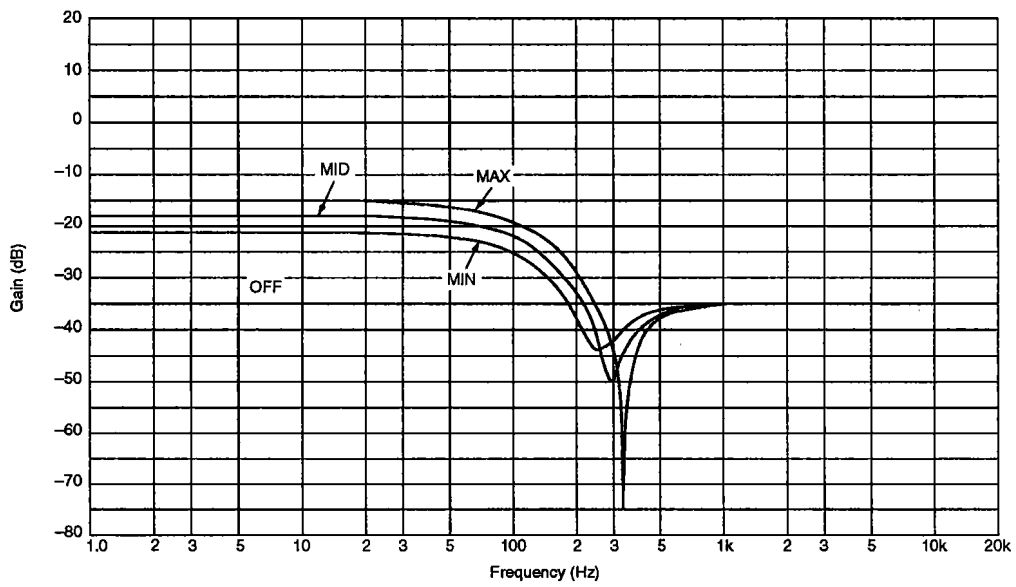
Gain mode	Maximum gain (dB)	Output level (dB)		
		For Input level less than -30.1 dB	For -30.1 to -3.4 dB input level	For -3.4 to 0 dB input level
MAX	20	20 linear	-10.1 to -3.4	linear
MID	17	17 linear	-13.1 to -3.4	linear
MIN	14	14 linear	-16.1 to -3.4	linear
OFF	0	linear	linear	linear

Filter characteristics

DDBB lowpass filter characteristics



DDBB mode general characteristics



Digital Dynamic-range Compression Sound (DDS) Function

The Digital Dynamic-range compression Sound

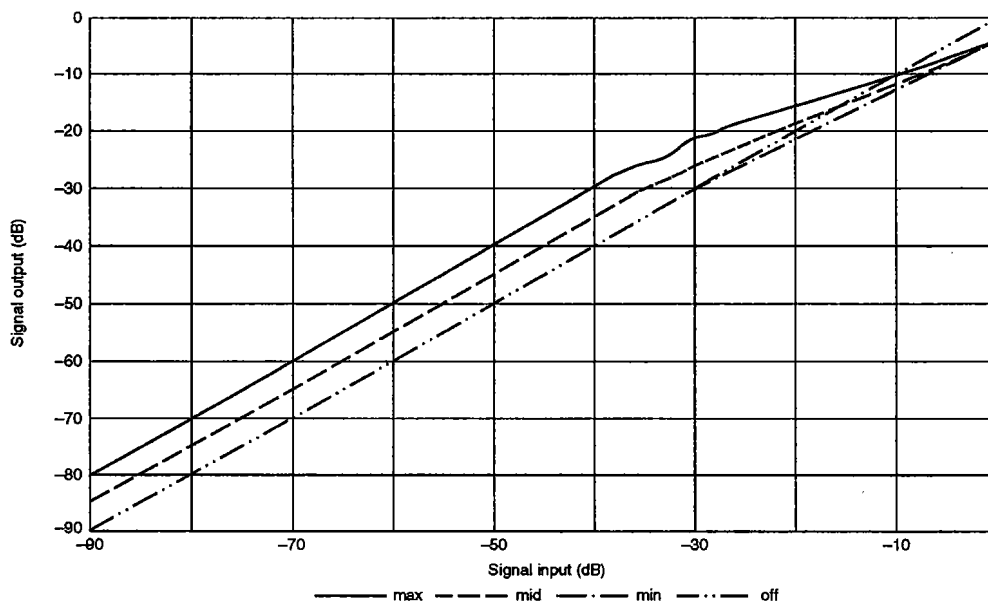
(DDS) function compresses the signal according to

the DDBB/DDS gain select function states.

Digital Dynamic-range compression Sound (DDS) gain selection truth table

DB/DS, OPT	MOD1	MOD2	Gain mode
LOW	LOW	LOW	MAX
LOW	HIGH	LOW	MID
LOW	LOW	HIGH	MIN
LOW	HIGH	HIGH	OFF

Input/output gain response



Input/output gain characteristics

Gain mode	Output level (dB)
-----------	-------------------

DB/DS, OPT Switching Characteristics

To eliminate spurious signals or noise during DB/DS (and OPT) switching, the soft mute function attenuates the signal by ∞ dB, before the internal setting of the DB/DS pin is changed. Once the internal setting has been changed, the soft mute function is cancelled. Consequently, it takes approximately 46.4 ms for the state of DB/DS to change.

If attenuation is initiated through the MUTEN function, the internal state for DB/DS changes instantaneously.

Soft Mute Function

The soft mute function can be used to fade out or fade in the audio signal. By toggling MUTEN from HIGH to LOW, attenuation (from 0 to ∞ dB) is achieved over approximately 23.2 ms. Toggling MUTEN from LOW to HIGH amplifies the audio

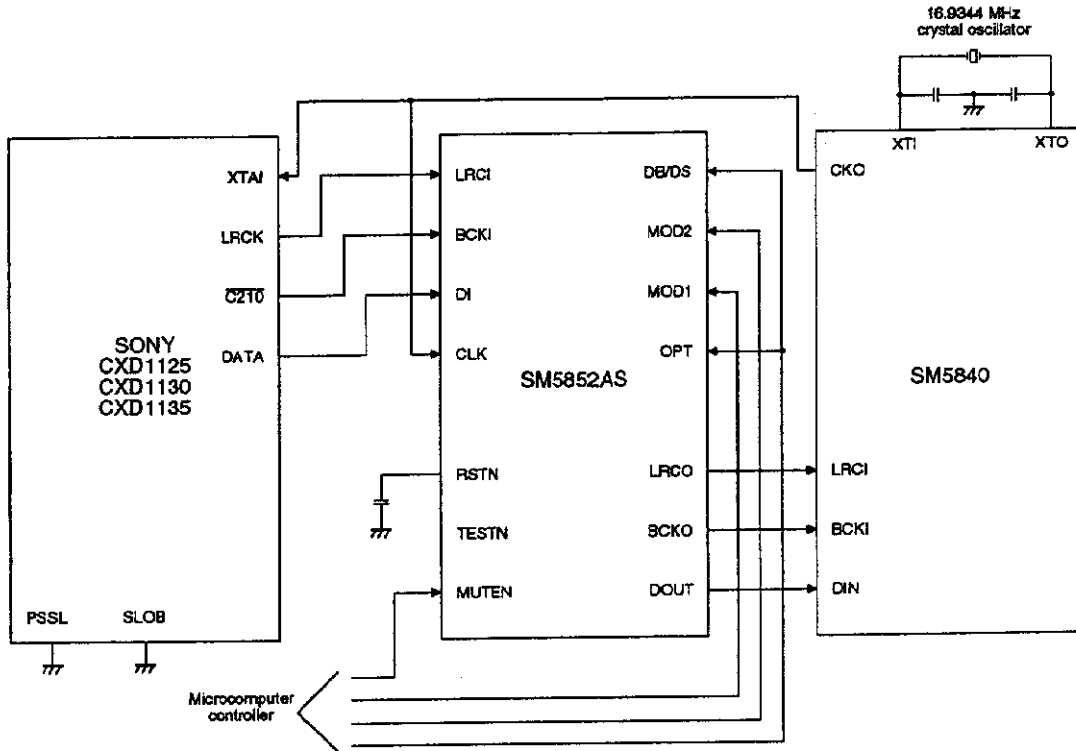
signal back to its minimum level of attenuation (∞ to 0 dB). If MUTEN is changed while attenuation is changing, the attenuation responds smoothly in the new direction.

Reset Function

The RSTN pin should be set LOW at power-on or when synchronization is re-initiated. When RSTN is LOW, the internal clock is stopped. In this state, a through current of indeterminate value flows internally after a time interval of 1 μ s. Therefore, RSTN should not remain LOW for more than 1 μ s except during power-on.

When RSTN changes from LOW to HIGH, the reset function is cancelled, internal data is reset and an initialization routine runs for 4fs. Output data is muted until initialization has been completed.

TYPICAL APPLICATION



NIPPON PRECISION CIRCUITS INC. reserves the right to make changes to the products described in this data sheet in order to improve the design or performance and to supply the best possible products. Nippon Precision Circuits Inc. assumes no responsibility for the use of any circuits shown in this data sheet, conveys no license under any patent or other rights, and makes no claim that the circuits are free from patent infringement. Applications for any devices shown in this data sheet are for illustration only and Nippon Precision Circuits Inc. makes no claim or warranty that such applications will be suitable for the use specified without further testing or modification. The products described in this data sheet are not intended to use for the apparatus which influence human lives due to the failure or malfunction of the products. Customers are requested to comply with applicable laws and regulations in effect now and hereinafter, including compliance with export controls on the distribution or dissemination of the products. Customers shall not export, directly or indirectly, any products without first obtaining required licenses and approvals from appropriate government agencies.

 <p>NIPPON PRECISION CIRCUITS INC.</p>	<p>NIPPON PRECISION CIRCUITS INC. 4-3, 2-chome Fukuzumi Koto-ku, Tokyo 135-8430, Japan Telephone: 03-3642-6661 Facsimile: 03-3642-6698</p>
---	--