

**OVERVIEW**

The SM5852FS is a digital signal processor IC that performs DDBB (digital dynamic bass boost) processing for use in digital audio reproduction equipment. It is designed for use with a 44.1 kHz sampling frequency.

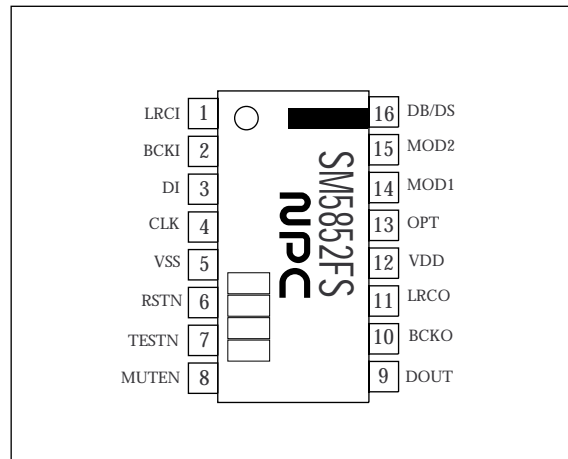
**FEATURES**

- 2-channel processing
- Improved DDBB mode channel separation
- 6 input-level dependent dynamic gain characteristics
- Serial input/output interface  
2s complement, MSB first, 16-bit
- 384fs system clock
- 23 × 23-bit multiplier/30-bit high-precision accumulator
- TTL-compatible input/output
- 3.2 to 5.5 V operating voltage range
- 16-pin SOP
- Molybdenum-gate CMOS

**ORDERING INFORMATION**

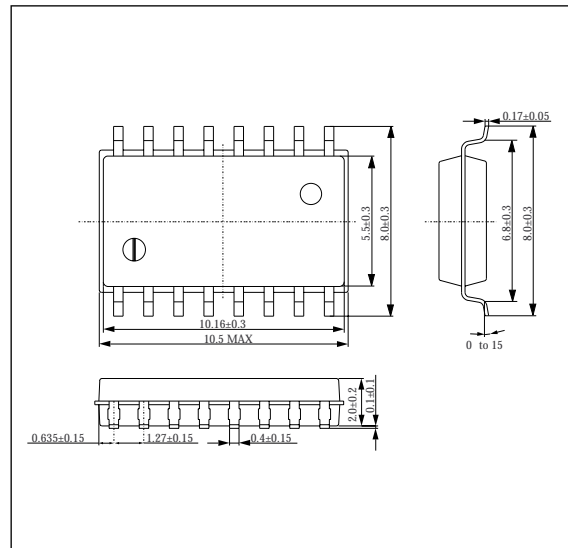
Device	Package
SM5852FS	16pin SOP

**PINOUT**

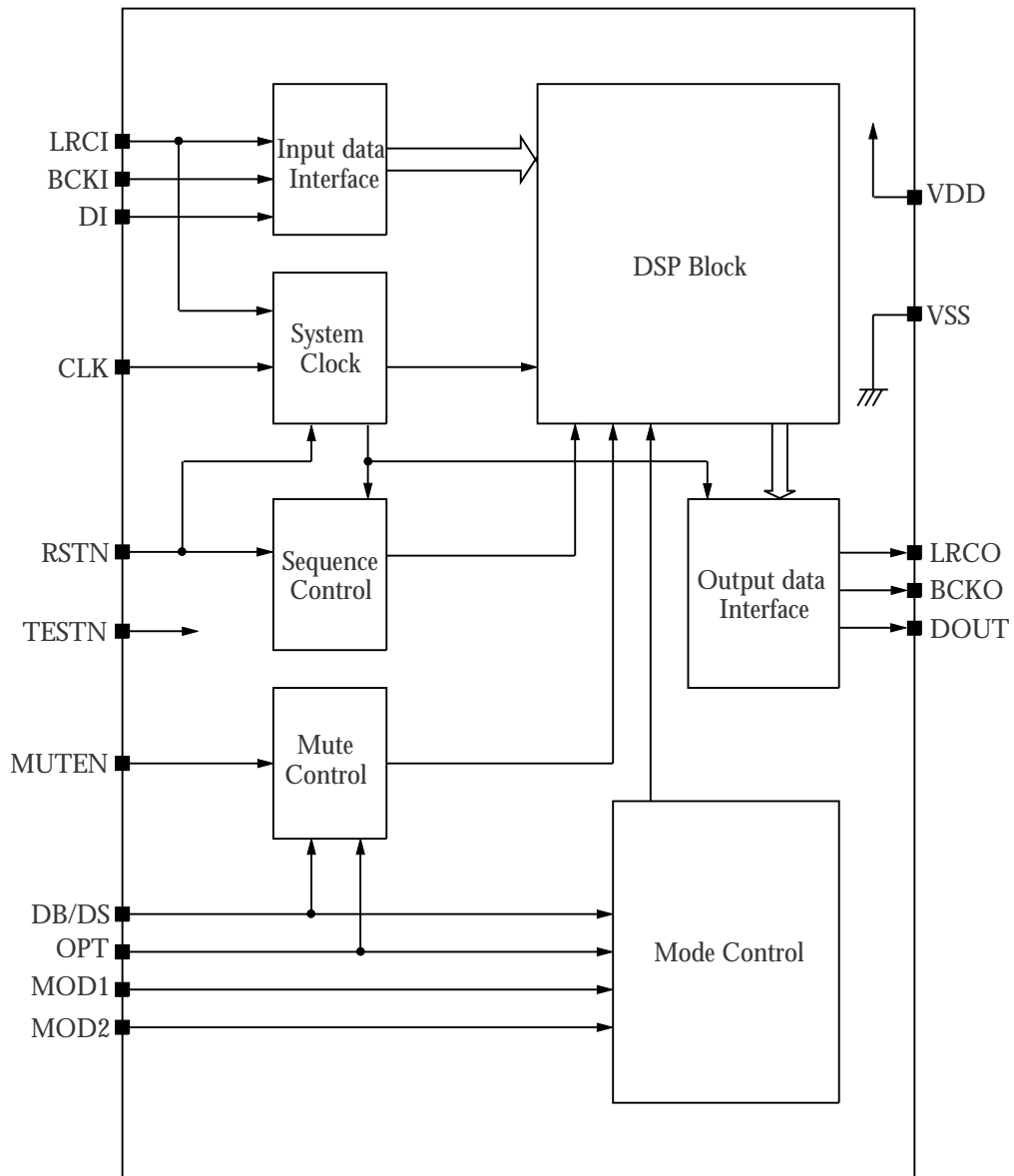


**PACKAGE DIMENSIONS**

16-pin SOP (Unit: mm)



**BLOCK DIAGRAM**



## PIN DESCRIPTION

Number	Name	I/O <sup>1</sup>	Description			
1	LRCI	Ip	Input data sample rate (fs) clock input			
2	BCKI	Ip	Bit clock input			
3	DI	Ip	Serial data input			
4	CLK	I	Clock input			
5	VSS	–	Ground			
6	RSTN	Ip	System reset initialization. Reset when LOW.			
7	TESTN	Ip	Test mode input. Testing when LOW.			
8	MUTEN	Ip	Mute input. Muting when LOW.			
9	DOUT	O	Serial data output			
10	BCKO	O	Bit clock output			
11	LRCO	O	Output data sample rate (fs) clock output			
12	VDD	–	3.2 to 5.5 V supply			
13	OPT	Ip	Not used. Tie HIGH for normal operation.			
14	MOD1	Ip	Gain characteristics switch inputs.			
			<b>MOD1</b>	<b>MOD2</b>	<b>DB/DS</b>	<b>Gain mode</b>
15	MOD2	Ip	LOW	LOW	LOW	18 dB
			LOW	HIGH	HIGH	16 dB
16	DB/DS	Ip	LOW	LOW	LOW	14 dB
			LOW	HIGH	HIGH	12 dB
			HIGH	LOW	LOW	10 dB
			HIGH	LOW	HIGH	6 dB
			HIGH	HIGH	LOW	Off
			HIGH	HIGH	HIGH	Off

1. Ip = Input pin with pull-up resistor. Accordingly, they can be left open for HIGH-level input.

## SPECIFICATIONS

### Absolute Maximum Ratings

$V_{SS} = 0\text{ V}$

Parameter	Symbol	Condition	Rating	Unit
Supply voltage	$V_{DD}$		-0.3 to 7.0	V
Input voltage	$V_{IN}$		$V_{SS} - 0.3$ to $V_{DD} + 0.3$	V
Storage temperature	$T_{stg}$		-55 to 125	°C
Power dissipation	$P_D$		250	mW
Soldering temperature	$T_{sld}$		255	°C
Soldering time	$t_{sld}$		10	s

### Recommended Operating Conditions

$V_{SS} = 0\text{ V}$

Parameter	Symbol	Condition	Rating	Unit
Supply voltage	$V_{DD}$		3.2 to 5.5	V
Operating temperature	$T_{opr}$		-40 to 85	°C

## DC Characteristics

$V_{DD} = 4.5$  to  $5.5$  V,  $V_{SS} = 0$  V,  $T_a = -40$  to  $85$  °C for nominal-voltage operation

Parameter	Symbol	Condition	Rating			Unit
			min	typ	max	
Current consumption <sup>1</sup>	$I_{DD}$	$V_{DD} = 5.0$ V	–	16	23	mA
Input voltage for all inputs <sup>2</sup>	$V_{IH}$		2.4	–	–	V
	$V_{IL}$		–	–	0.5	V
Output voltage for all outputs <sup>3</sup>	$V_{OH}$	$I_{OH} = -0.4$ mA	2.5	–	–	V
	$V_{OL}$	$I_{OL} = 1.6$ mA	–	–	0.4	V
Input leakage current for all inputs <sup>2</sup>	$I_{LH}$	$V_{IN} = V_{DD}$	–	–	1.0	μA
CLK input leakage current	$I_{LL}$	$V_{IN} = 0$ V	–	–	1.0	μA
Input current for all inputs except CLK <sup>2</sup>	$I_{IL}$	$V_{IN} = 0$ V	–	–	20	μA

- $f_{CLK} = 384$ fs = 16.9344 MHz, no output load, input data conformance with NPC test pattern
- LRCI, BCKI, DI, RSTN, TESTN, MUTEN, OPT, MOD1, MOD2, DB / DS, CKL
- LRCO, BCKO, DOUT

$V_{DD} = 3.2$  to  $4.5$  V,  $V_{SS} = 0$  V,  $T_a = -20$  to  $70$  °C for low-voltage operation

Parameter	Symbol	Condition	Rating			Unit
			min	typ	max	
Current consumption <sup>1</sup>	$I_{DD}$	$V_{DD} = 3.4$ V	–	7	10	mA
Input voltage for all inputs <sup>2</sup>	$V_{IH}$		2.4	–	–	V
	$V_{IL}$		–	–	0.5	V
Output voltage for all outputs <sup>3</sup>	$V_{OH}$	$I_{OH} = -0.2$ mA	2.5	–	–	V
	$V_{OL}$	$I_{OL} = 0.8$ mA	–	–	0.4	V
Input leakage current for all inputs <sup>2</sup>	$I_{LH}$	$V_{IN} = V_{DD}$	–	–	1.0	μA
CLK input leakage current	$I_{LL}$	$V_{IN} = 0$ V	–	–	1.0	μA
Input current for all inputs except CLK <sup>2</sup>	$I_{IL}$	$V_{IN} = 0$ V	–	–	12	μA

- $f_{CLK} = 384$ fs = 16.9344 MHz, no output load, input data conformance with NPC test pattern
- LRCI, BCKI, DI, RSTN, TESTN, MUTEN, OPT, MOD1, MOD2, DB / DS, CLK
- LRCO, BCKO, DOUT

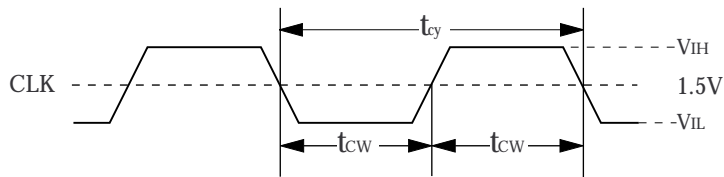
**AC Characteristics**

$V_{DD} = 4.5$  to  $5.5$  V,  $V_{SS} = 0$  V,  $T_a = -40$  to  $85$  °C for normal-voltage operation

$V_{DD} = 3.2$  to  $4.5$  V,  $V_{SS} = 0$  V,  $T_a = -20$  to  $70$  °C for low-voltage operation

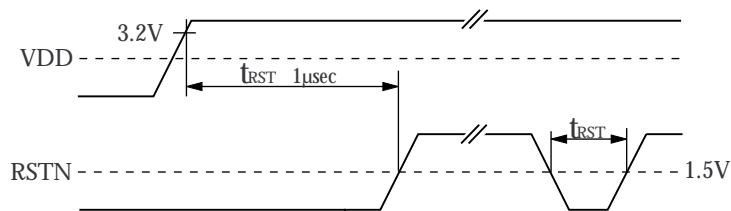
**CLK (384fs)**

Parameter	Symbol	Condition	Rating			Unit
			min	typ	max	
Clock pulsewidth	$t_{CW}$		24	-	500	ns
Clock cycle time	$t_{CY}$		55	59	1000	ns



**RSTN**

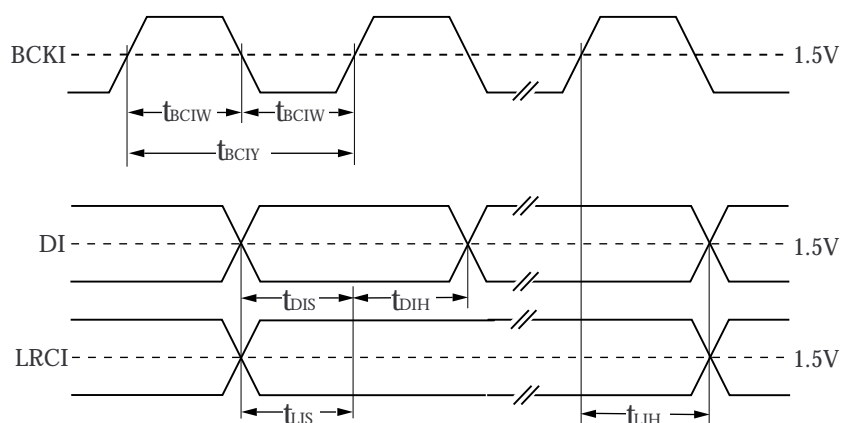
Parameter	Symbol	Condition	Rating			Unit
			min	typ	max	
Reset LOW-level pulsewidth	$t_{RST}$	At power-ON	1	-	-	$\mu$ s
		At all other times	50	-	1000	ns



RSTN should be set LOW at power-ON and after reacquiring synchronization. Note that if RSTN is LOW for longer than 1  $\mu$ s, a through-current flows in the internal dynamic circuits because the internal clock is stopped. The through-current has no rated value, so the reset pulse should be kept as short as possible at all times other than at power-ON.

## Serial input timing

Parameter	Symbol	Condition	Rating			Unit
			min	typ	max	
BCKI pulsewidth	$t_{\text{BCIW}}$		100	-	-	ns
BCKI cycle time	$t_{\text{BCIY}}$		200	-	-	ns
DI setup time	$t_{\text{DIS}}$		75	-	-	ns
DI hold time	$t_{\text{DIH}}$		75	-	-	ns
LRCI setup time	$t_{\text{LIS}}$		75	-	-	ns
LRCI hold time	$t_{\text{LIH}}$		75	-	-	ns



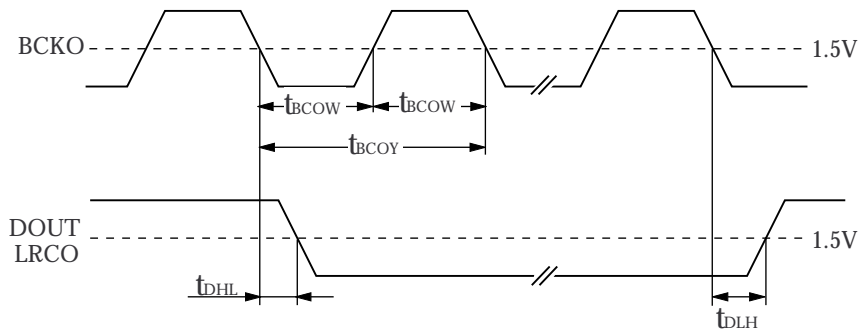
## DB/DS, OPT

Parameter	Symbol	Condition	Rating			Unit
			min	typ	max	
Minimum pulsewidth	$t_w$		$2/f_s$	-	-	ns

When DB/DS or OPT change state, the input level must be constant for a minimum of  $2/f_s$  ( $2 \times$  LRCI cycle time). Input levels of duration less than  $2/f_s$  may be ignored.

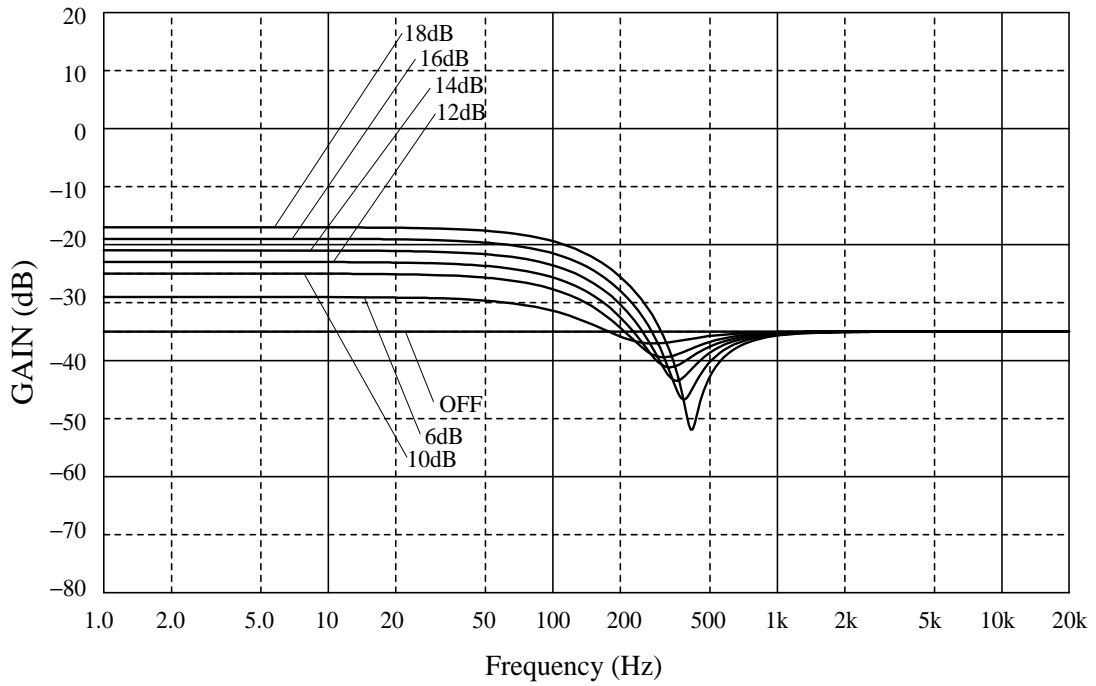
**Serial output timing**

Parameter	Symbol	Condition	Rating			Unit
			min	typ	max	
BCKO pulsewidth	$t_{BCOW}$	15 pF load	180	1/96fs	-	ns
BCKO cycle time	$t_{BCOY}$	15 pF load	400	1/48fs	-	ns
DOUT, LRCO output delay time	$t_{DHL}$	15 pF load	-20	-	60	ns
	$t_{DLH}$	15 pF load	-20	-	60	ns

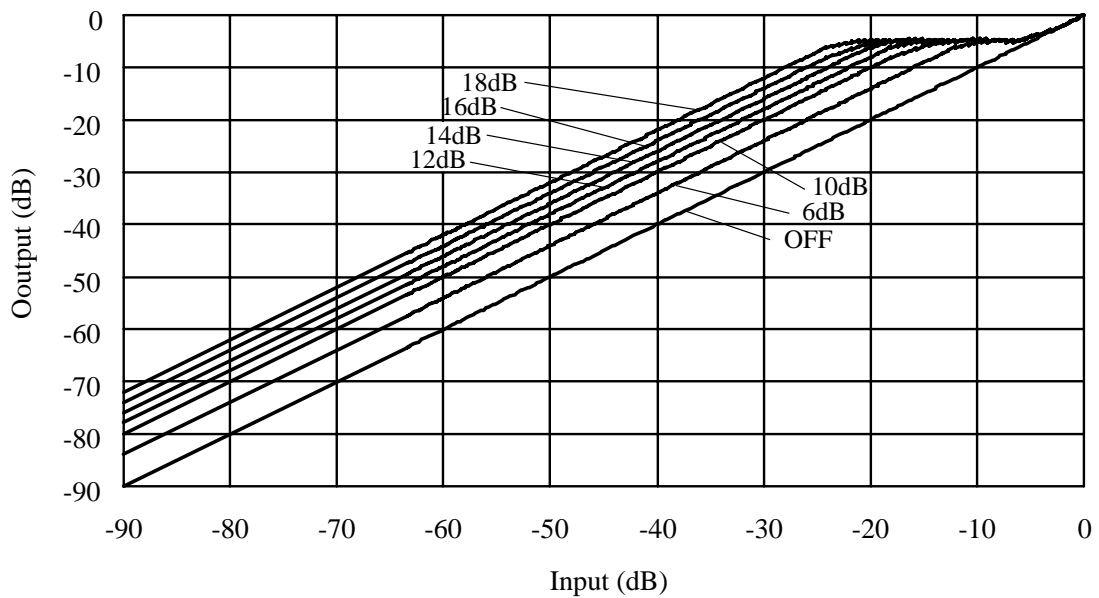




**Low-pass Gain Characteristics**



**DDBB Mode Filter Characteristics**



## FUNCTIONAL DESCRIPTION

### DDBB (Digital Dynamic Bass Boost)

The DDBB function emphasizes the low-frequency components of the input signal by picking out the low-frequency components and passing them through a DDBB 3rd-order IIR low-pass filter and then changing the gain for the low-frequency components.

Two independent DDBB filters are used, one for each the left and right channels, to maintain full channel separation. The DDBB boost is determined by DB/DS, MOD1 and MOD2.

MOD1	MOD2	DB/DS	Gain mode
LOW	LOW	LOW	18 dB
LOW	LOW	HIGH	16 dB
LOW	HIGH	LOW	14 dB
LOW	HIGH	HIGH	12 dB
HIGH	LOW	LOW	10 dB
HIGH	LOW	HIGH	6 dB
HIGH	HIGH	LOW	Off
HIGH	HIGH	HIGH	Off

### Soft Muting

Soft muting is active when MUTEN is LOW. When MUTEN is LOW, the attenuation changes smoothly from 0 to  $-\infty$  dB in  $1024/f_s$ , or approximately 23.2 ms.

When MUTEN goes HIGH, soft muting is released and the attenuation changes smoothly from  $-\infty$  to 0 dB, again taking approximately 23.2 ms.

Also, if a MUTEN transition occurs while the attenuation is changing, the attenuation then changes smoothly in the direction specified by the new level of MUTEN.

### DB/DS Switching Shock Noise

The soft muting function is also activated to eliminate switching shock noise when DB/DS changes state. When DB/DS changes state, the attenuation changes to  $-\infty$  dB, the internal circuit settings are activated and then soft muting is released. Therefore, a maximum time of approximately 46.4 ms is required to change the compression mode. Of course, if the attenuation is already  $-\infty$  dB after soft muting using MUTEN, then no time is required to change compression mode.

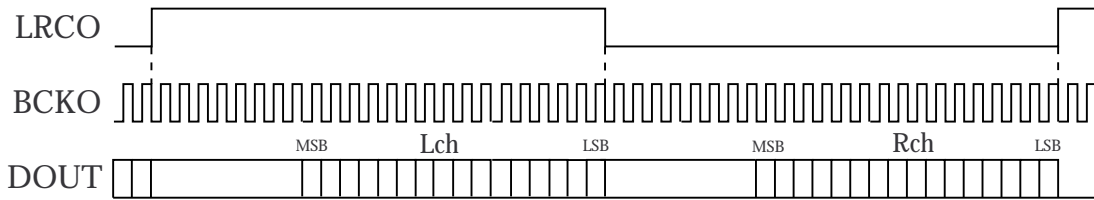
### Reset Initialization

RSTN should be set LOW at power-ON and after reacquiring synchronization. Note that if RSTN is LOW for longer than 1  $\mu$ s, a through-current flows in the LSI's internal dynamic circuits because the internal clock is stopped. The through-current has no rated value, so the reset pulse should be kept as short as possible at all times other than at power-ON.

When RSTN goes from LOW to HIGH, initialization hold is released and the initialization routine first resets the internal data over an interval of 4fs. During the initialization routine, the output data is forcibly muted so that there is no output signal.

## INPUT/OUTPUT TIMING

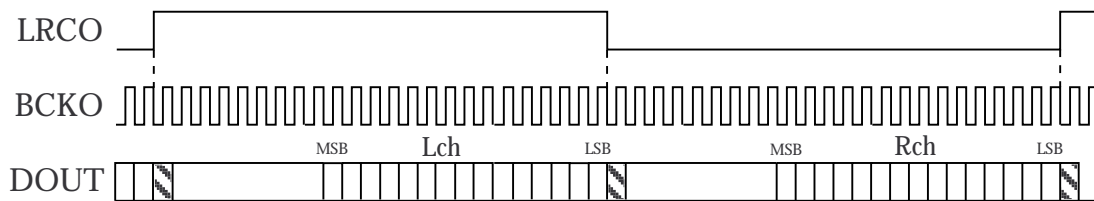
### Input Timing



There must be a minimum of 16 BCKI clock cycles to read in a single word of data.

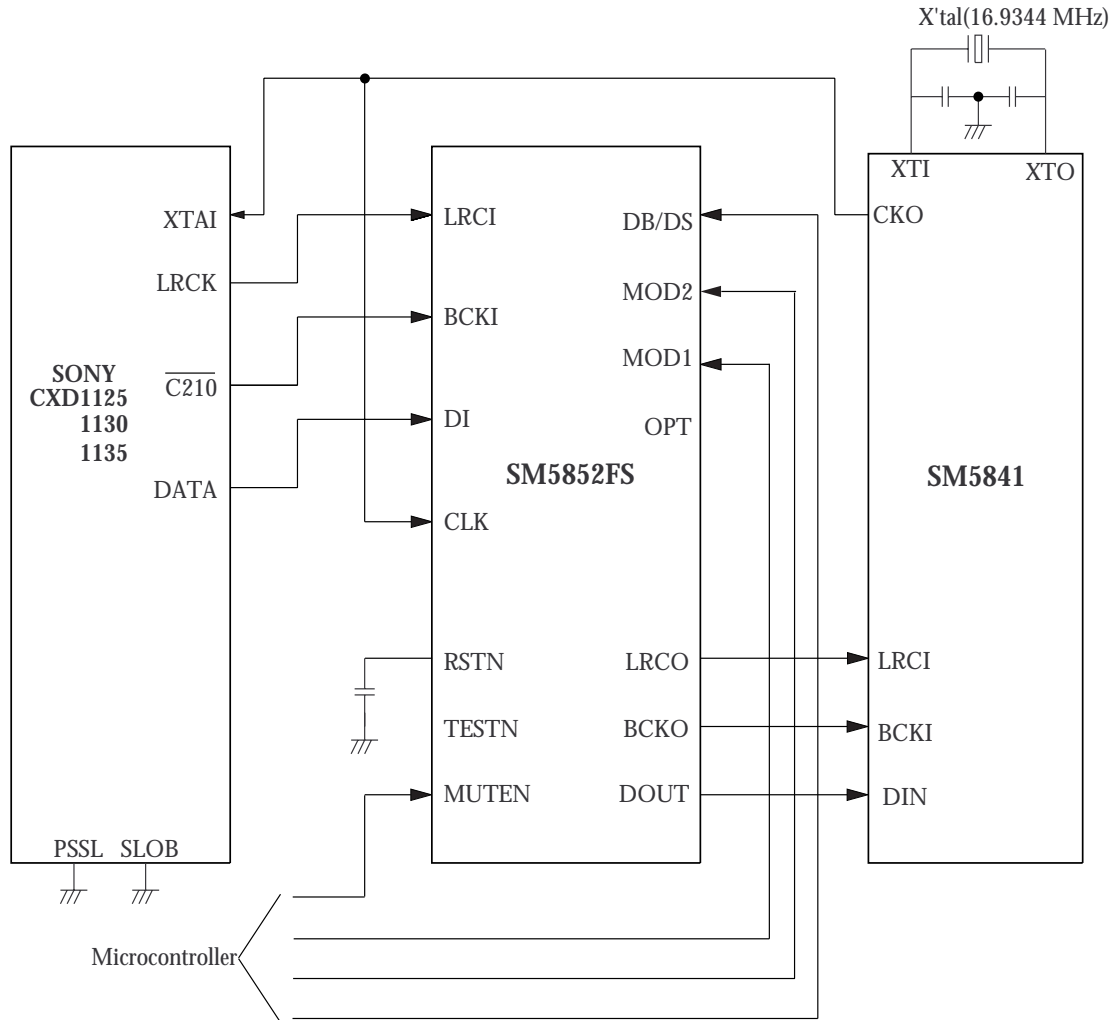
Data on DI is input in sync with the falling edge of BCKI in 16-bit serial, MSB first, 2s complement format.

### Output Timing



Shaded areas represent intervals of invalid data.

APPLICATION CIRCUIT



NIPPON PRECISION CIRCUITS INC. reserves the right to make changes to the products described in this data sheet in order to improve the design or performance and to supply the best possible products. Nippon Precision Circuits Inc. assumes no responsibility for the use of any circuits shown in this data sheet, conveys no license under any patent or other rights, and makes no claim that the circuits are free from patent infringement. Applications for any devices shown in this data sheet are for illustration only and Nippon Precision Circuits Inc. makes no claim or warranty that such applications will be suitable for the use specified without further testing or modification. The products described in this data sheet are not intended to use for the apparatus which influence human lives due to the failure or malfunction of the products. Customers are requested to comply with applicable laws and regulations in effect now and hereinafter, including compliance with export controls on the distribution or dissemination of the products. Customers shall not export, directly or indirectly, any products without first obtaining required licenses and approvals from appropriate government agencies.

**NPC**  
NIPPON PRECISION CIRCUITS INC.

NIPPON PRECISION CIRCUITS INC.

4-3, Fukuzumi 2 chome  
Koto-ku, Tokyo 135-8430, Japan  
Telephone: 03-3642-6661  
Facsimile: 03-3642-6698