

OVERVIEW

The SM6451BV is a 3-wire serial-controlled electronic variable volume IC for audio applications. It provides electronic volume control for a stereo system (left and right channels), and independent channel attenuation and muting, with greatly enhanced digital zip noise suppression. The chip address function allows up to four SM6451BV devices to be connected and individually controlled over the 3-wire control interface from a single CPU. It is available in 16-pin VSOP packages.

FEATURES

- Stereo inputs and outputs
- Attenuation function
 - 2-channel independent control
 - 1.0 dB/step over 80 steps
 - 0 to -80 dB range
- Mute function
- 3-wire serial data control (MDT, MCK, MLEN)
- Chip addressing (up to 4 devices can be connected in parallel)
- Low noise
 - 0.003 % THD + noise
 - 12 μ Vrms residual noise
- 2.5 to 3.6 V single power supply
- Silicon-gate CMOS process

APPLICATIONS

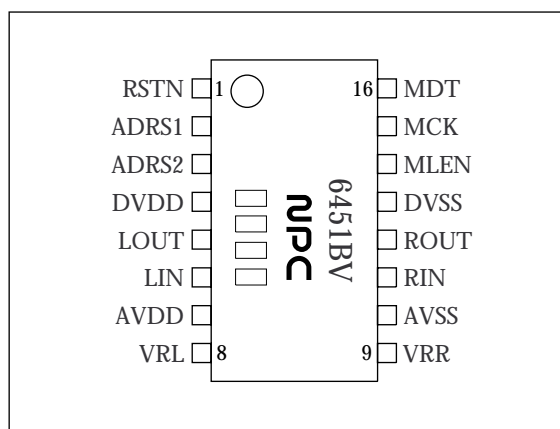
- Audio equipment

ORDERING INFORMATION

Device	Package
SM6451BV	16-pin VSOP

PINOUT

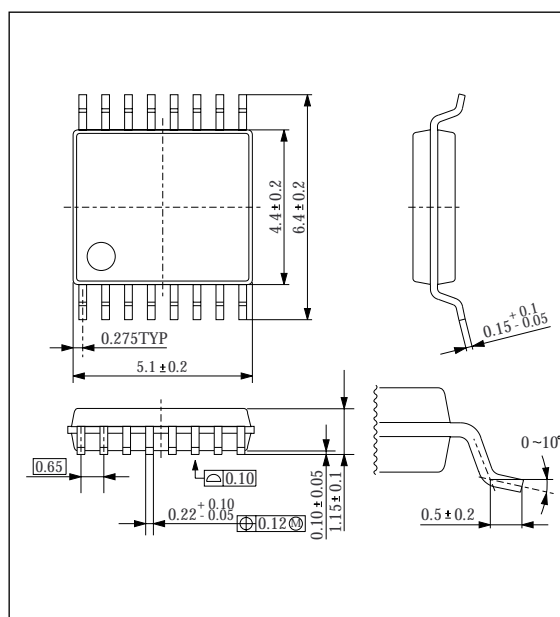
(Top View)



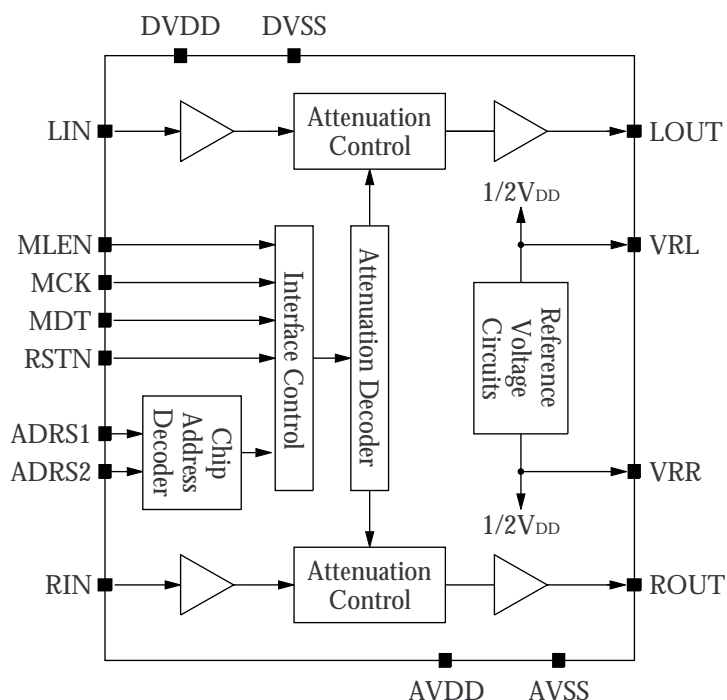
PACKAGE DIMENSIONS

(Unit: mm)

16 pin VSOP



BLOCK DIAGRAM



PIN DESCRIPTION

Number	Name	I/O ¹	A/D ¹	Description
1	RSTN	I _p	D	System reset input (LOW-level reset)
2	ADRS1	I _p	D	Chip address set 1
3	ADRS2	I _p	D	Chip address set 2
4	DVDD	-	D	Digital supply
5	LOUT	O	A	Left-channel audio output
6	LIN	I	A	Left-channel audio input
7	AVDD	-	A	Analog supply
8	VRL	O	A	Left-channel reference voltage (0.5V _{DD}). Connect a 10 μF capacitor between VRL and AVSS.
9	VRR	O	A	Right-channel reference voltage (0.5V _{DD}). Connect a 10 μF capacitor between VRR and AVSS.
10	AVSS	-	A	Analog ground
11	RIN	I	A	Right-channel audio input
12	ROUT	O	A	Right-channel audio output
13	DVSS	-	D	Digital ground
14	MLEN	I _p	D	Microcontroller latch enable input
15	MCK	I _p	D	Microcontroller clock input
16	MDT	I _p	D	Microcontroller data input

1. I_p = input pin with pull-up, A = analog, D = digital

SPECIFICATIONS

Absolute Maximum Ratings

DVSS = AVSS = 0 V, DVDD = AVDD = V_{DD}

Parameter	Symbol	Rating	Unit
Supply voltage	V _{DD}	-0.3 to 7.0	V
Input voltage	V _{IN}	V _{SS} - 0.3 to V _{DD} + 0.3	V
Power dissipation	P _D	150	mW
Storage temperature	T _{stg}	-55 to 125	°C
Soldering temperature	T _{slid}	255	°C
Soldering time	t _{slid}	10	s

Recommended Operating Conditions

DVSS = AVSS = 0 V, DVDD = AVDD = V_{DD}

Parameter	Symbol	Rating	Unit
Supply voltage	V _{DD}	2.5 to 3.6	V
Supply voltage deviation	DV _{DD} - AV _{DD} , DV _{SS} - AV _{SS}	±0.1	V
Operating temperature	T _{opr}	-40 to 85	°C

DC Characteristics

DVDD = AVDD = V_{DD} = 2.5 to 3.6 V, V_{SS} = 0 V, Ta = -40 to 85 °C

Parameter	Symbol	Condition	Rating			Unit
			min	typ	max	
DVDD Current consumption	I _{DD1}	Data transfer stopped, MDT, MCK, MLEN, RSTN, ADRS1, ADRS2 = V _{DD}	-	0.2	1.0	μA
	I _{DD2}	ADRS1 = ADRS2 = 0V, 0.8V _{rms} analog input, ATT = 0 dB, data transfer active	-	0.4	1.0	mA
AVDD Current consumption	I _{DDA}		-	1.9	5.5	mA
HIGH-level input voltage ¹	V _{IH}		0.7V _{DD}	-	-	V
LOW-level input voltage ¹	V _{IL}		-	-	0.3V _{DD}	V
Input current ¹	I _{IL}	V _{IN} = 0 V	-	70	150	μA
Input leakage current ¹	I _{IH}	V _{IN} = V _{DD}	-	-	1.0	μA

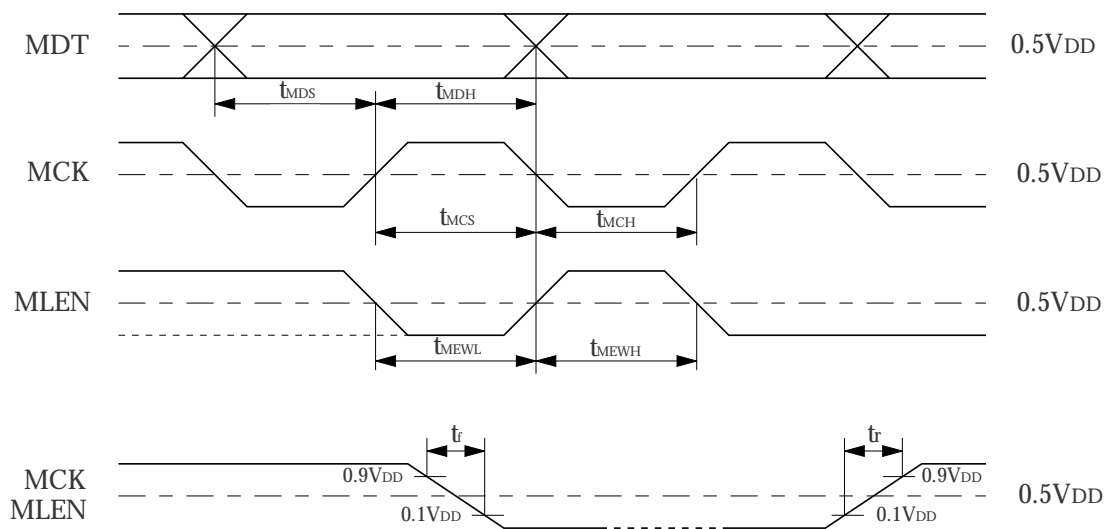
1. MDT, MCK, MLEN, RSTN, ADRS1, ADRS2

AC Digital Characteristics

DVDD = AVDD = V_{DD} = 2.5 to 3.6 V, V_{SS} = 0 V, Ta = -40 to 85 °C

Serial inputs (MDT, MCK, MLEN)

Parameter	Symbol	Rating			Unit
		min	typ	max	
MCK, MLEN rise time	t_r	-	-	100	ns
MCK, MLEN fall time	t_f	-	-	100	ns
MDT setup time	t_{MDS}	50	-	-	ns
MDT hold time	t_{MDH}	50	-	-	ns
MLEN setup time	t_{MCS}	50	-	-	ns
MLEN hold time	t_{MCH}	50	-	-	ns
MLEN LOW-level pulsewidth	t_{MEWL}	50	-	-	ns
MLEN HIGH-level pulsewidth	t_{MEWH}	50	-	-	ns



Reset input (RSTN)

Parameter	Symbol	Rating			Unit
		min	typ	max	
RSTN LOW-level pulsewidth	t_{RSTN}	100	-	-	ns

AC Analog Characteristics

$V_{DD} = 3.0\text{ V}$, 0.8 V_{rms} amplitude, 1 kHz input frequency, $100\text{ k}\Omega$ output load resistance, $T_a = 25\text{ }^\circ\text{C}$, AC-coupled inputs

Analog inputs (LIN, RIN)

Parameter	Symbol	Condition	Rating			Unit
			min	typ	max	
Reference input amplitude	V_{AI}		-	0.8	-	V _{rms}
Input resistance	R_{IN}		40	50	60	k Ω
Input clipping voltage	V_{CLP}	THD + N = 1%, ATT = 0 dB	-	1.1	-	V _{rms}

Analog outputs (LOUT, ROUT)

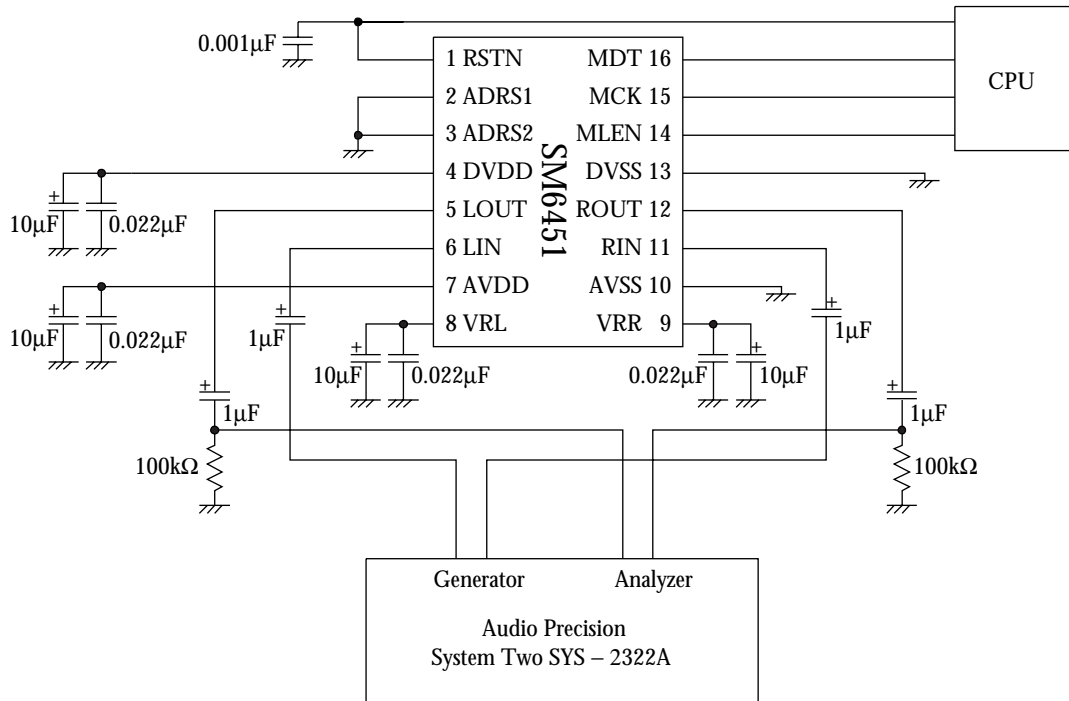
Parameter	Symbol	Condition	Rating			Unit
			min	typ	max	
Residual noise voltage	V_{NS}	Input signal: 0 V_{rms} , A-weight filter, 0 dB = 0.8 V_{rms} , ATT = 0 dB	-	12	20	μV_{rms}
Signal-to-noise ratio	SNR		92	96	-	dBr
Total harmonic distortion + noise	THD + N	ATT = 0 dB , 20 kHz lowpass filter	-	0.0025	0.005	%
Gain control range	R_{CNT}		- 80	-	0	dB
Step size	Step		0.8	1.0	1.8	dB
Attenuation error (1k to 20kHz)	ERR ₁	0 to -60 dB	- 2	-	1	dB
	ERR ₂	-61 to -80 dB	- 6	-	0	dB
Absolute attenuation (1 kHz)	AT ₀	ATT = 0 dB	-	- 0.0	-	dB
	AT ₂	ATT = -20 dB	-	- 20.0	-	dB
	AT ₄	ATT = -40 dB	-	- 40.0	-	dB
	AT ₆	ATT = -60 dB	-	- 60.4	-	dB
	AT ₈	ATT = -80 dB	-	- 84.2	-	dB
Mute attenuation (1 kHz)	Mute	ATT = Mute	- 85.0	- 88.0	-	dB
Channel crosstalk	CT	ATT = 0 dB	- 103	- 105	-	dB
Frequency response	FR	ATT = 0 dB , $f = 200\text{ kHz}$	- 10	- 8	-	dB
Quiescent output zip noise voltage (while ATT value adjusting)	N_J	0 V_{rms} input	-	-	3	mV
Minimum driver load resistance	R_{ML}	ATT = 0 dB , THD + N = 1%	-	8	12	k Ω

Reference voltage (VRL, VRR)

Parameter	Symbol	Condition	Rating			Unit
			min	typ	max	
Reference voltage output	V_{REF}		$0.45V_{DD}$	$0.5V_{DD}$	$0.55V_{DD}$	V

MEASUREMENT CIRCUIT

Chip address: ADRS1 = LOW, ADRS2 = LOW



MICROCONTROLLER INTERFACE

The SM6451BV uses a 3-wire serial interface comprising MDT (data), MCK (clock) and MLEN (latch enable) to select channels and attenuation levels for the addressed device.

Input Timing

The microcontroller data input timing is shown in figure 1.

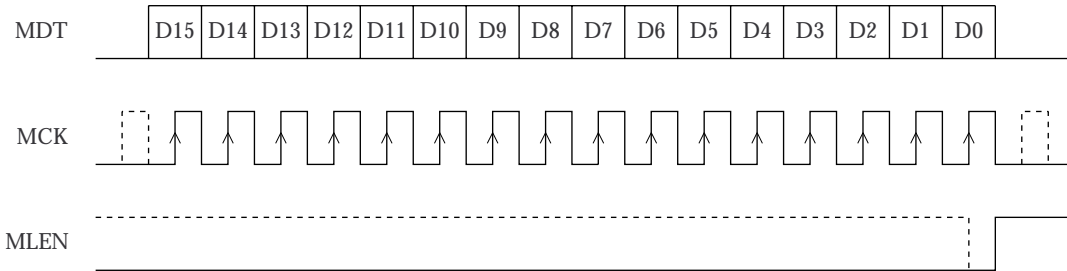


Figure 1. Microcontroller data input timing

Data is shifted into the internal shift register on the rising edge of MCK, and the attenuation value is updated on the rising edge of MLEN. Accordingly, data on MDT should be changed on the falling edge of MCK. The dotted lines for MCK and MLEN also indicate valid timing.

Note, however, a minimum of 16 MCK input pulses are required.

Data Format

The format of microcontroller input data is shown in figure 2.

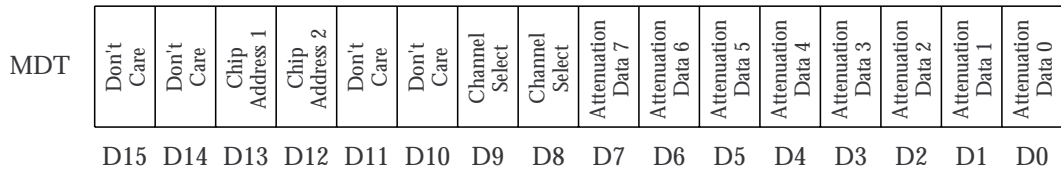


Figure 2. Microcontroller data format

D15, D14

Don't care.

D13, D12

Chip address bits. D13 corresponds to ADRS1 and D12 corresponds to ADRS2. The device is addressed only when ADRS1:ADRS2 matches D13:D12.

Example 1: If D13 = LOW, D12 = HIGH and ADRS1 = LOW, ADRS2 = LOW, then the device is not addressed since ADRS2 and D12 do not match.

Example 2: If D13/D12 = LOW and ADRS1/ADRS2 = LOW, then the device is addressed and all input data is read and the attenuation settings updated.

D11, D10

Don't care.

D9, D8

Channel select bits. The selected channel(s) are shown in table 1.

Table 1. Channel select

D9	D8	Selected channel
LOW	LOW	Both left and right channels
LOW	HIGH	Left channel
HIGH	LOW	Right channel
HIGH	HIGH	No change

D7 to D0

Attenuation register (ATT) set bits.

Table 2. Attenuation setting¹

Attenuation	ATT _H	D7	D6	D5	D4	D3	D2	D1	D0
0 dB	00	LOW	LOW	LOW	LOW	LOW	LOW	LOW	LOW
-1 dB	01	LOW	LOW	LOW	LOW	LOW	LOW	LOW	HIGH
-2 dB	02	LOW	LOW	LOW	LOW	LOW	LOW	HIGH	LOW
:	:	:	:	:	:	:	:	:	:
-15 dB	0F	LOW	LOW	LOW	LOW	HIGH	HIGH	HIGH	HIGH
-16 dB	10	LOW	LOW	LOW	HIGH	LOW	LOW	LOW	LOW
-17 dB	11	LOW	LOW	LOW	HIGH	LOW	LOW	LOW	HIGH
:	:	:	:	:	:	:	:	:	:
-63 dB	3F	LOW	LOW	HIGH	HIGH	HIGH	HIGH	HIGH	HIGH
-64 dB	40	LOW	HIGH	LOW	LOW	LOW	LOW	LOW	LOW
-65 dB	41	LOW	HIGH	LOW	LOW	LOW	LOW	LOW	HIGH
:	:	:	:	:	:	:	:	:	:
-79 dB	4F	LOW	HIGH	LOW	LOW	HIGH	HIGH	HIGH	HIGH
-80 dB	50	LOW	HIGH	LOW	HIGH	LOW	LOW	LOW	LOW
Mute	51	LOW	HIGH	LOW	HIGH	LOW	LOW	LOW	HIGH
Mute	52	LOW	HIGH	LOW	HIGH	LOW	LOW	HIGH	LOW
:	:	:	:	:	:	:	:	:	:
Mute	FE	HIGH	HIGH	HIGH	HIGH	HIGH	HIGH	HIGH	LOW
Mute	FF	HIGH	HIGH	HIGH	HIGH	HIGH	HIGH	HIGH	HIGH

1. Outputs are muted after system reset.

Attenuation error is changed dependent on the supply voltage when attenuation level is under - 60dB. In the case of the supply voltage being under 2.6V, mute level inverses up to the same level of - 80dB setting or more. (see Figure 6)

ANALOG PERFORMANCE CHARACTERISTICS

DVDD = AVDD = 3.0 V, 100 kΩ output load resistance, Ta = 25 °C

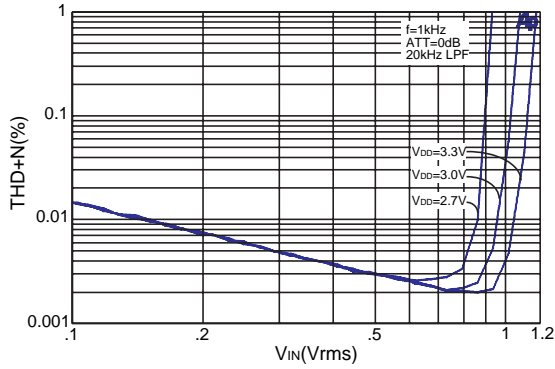


Figure 3. THD + N vs. input amplitude

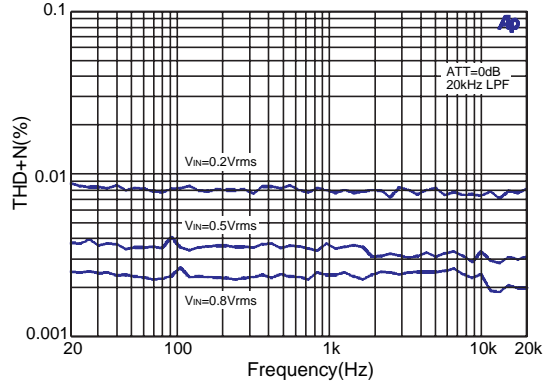


Figure 4. THD + N vs. input frequency

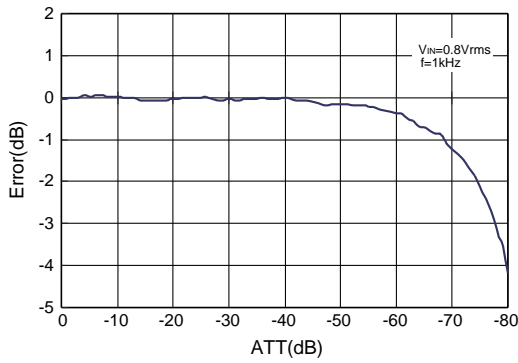


Figure 5. Attenuation error

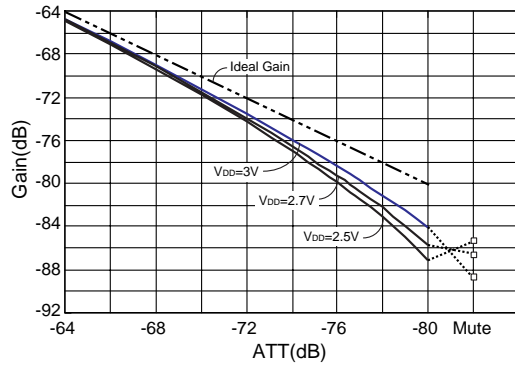


Figure 6. Attenuation characteristic (-64dB to MUTE)

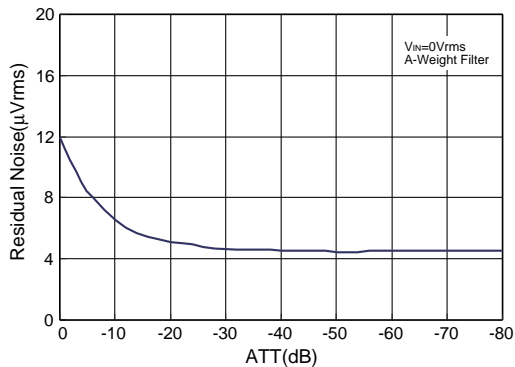


Figure 7. Residual noise vs. ATT

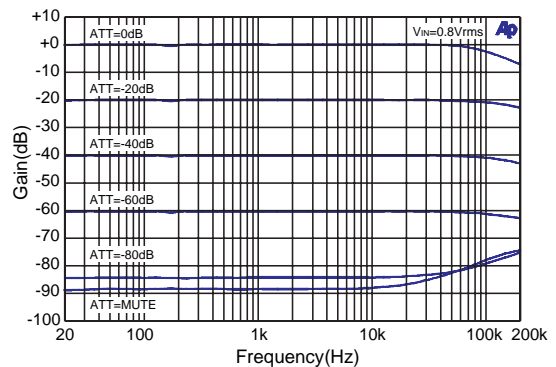


Figure 8. Frequency response

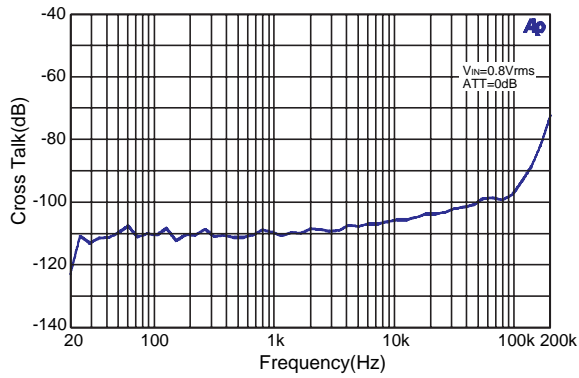


Figure 9. Crosstalk frequency response

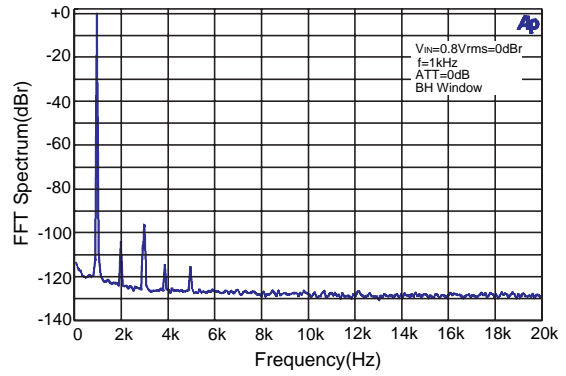


Figure 10. FFT spectrum

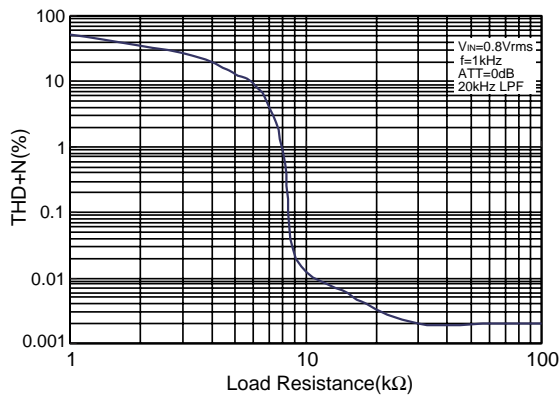


Figure 11. THD + N vs. load resistance

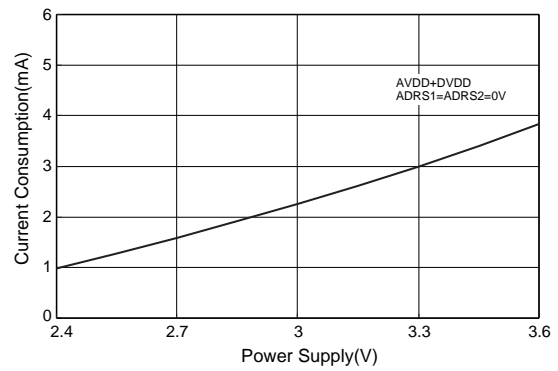


Figure 12. Current consumption vs. supply voltage

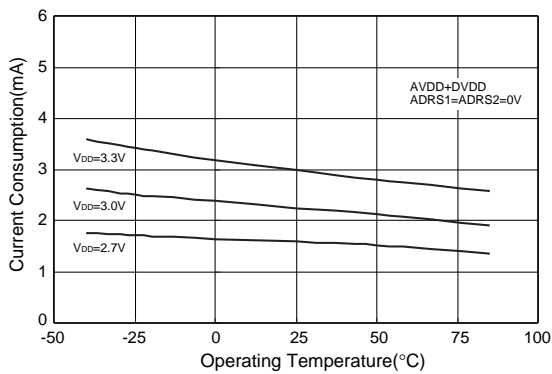


Figure 13. Current consumption vs. operating temperature

TYPICAL APPLICATIONS

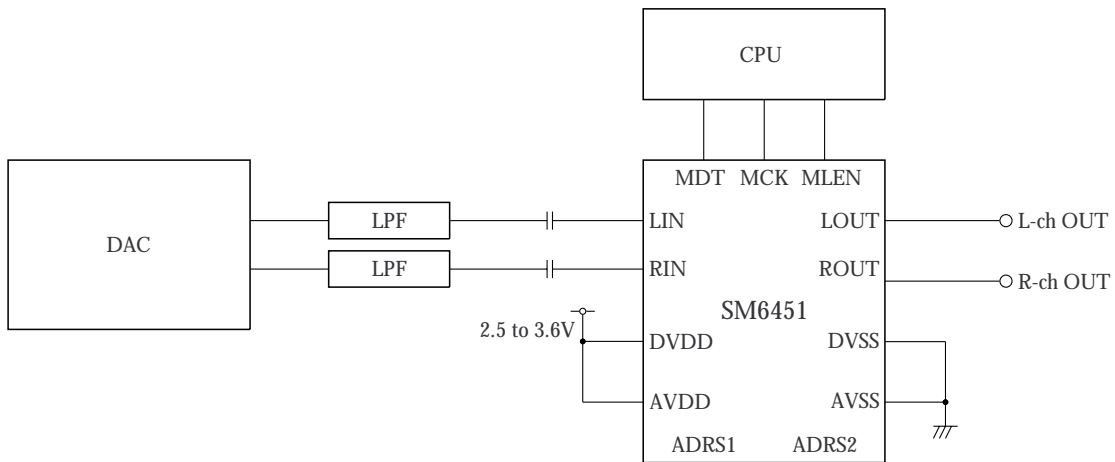
Connection Guidelines

Decoupling capacitors of approximately 10 μF should be connected from AVDD, VRL, VRR to AVSS, and from DVDD to DVSS.

In addition, approximately 0.01 μF capacitors should also be connected from AVDD, VRL, VRR to AVSS, and from DVDD to DVSS to suppress digital switch noise.

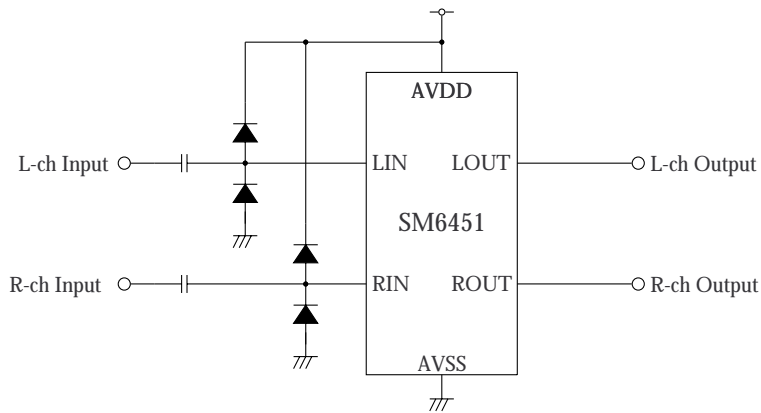
An approximately 0.001 μF capacitor connected from RSTN to DVSS will force a system reset when power is applied.

Connection 1 (to DAC)



Connection 2

When there is a possibility that the input peak-to-peak amplitude will exceed the supply voltage, input protection diodes should be connected to prevent device breakdown.



NIPPON PRECISION CIRCUITS INC. reserves the right to make changes to the products described in this data sheet in order to improve the design or performance and to supply the best possible products. Nippon Precision Circuits Inc. assumes no responsibility for the use of any circuits shown in this data sheet, conveys no license under any patent or other rights, and makes no claim that the circuits are free from patent infringement. Applications for any devices shown in this data sheet are for illustration only and Nippon Precision Circuits Inc. makes no claim or warranty that such applications will be suitable for the use specified without further testing or modification. The products described in this data sheet are not intended to use for the apparatus which influence human lives due to the failure or malfunction of the products. Customers are requested to comply with applicable laws and regulations in effect now and hereinafter, including compliance with export controls on the distribution or dissemination of the products. Customers shall not export, directly or indirectly, any products without first obtaining required licenses and approvals from appropriate government agencies.



NIPPON PRECISION CIRCUITS INC.

4-3, Fukuzumi 2-chome
Koto-ku, Tokyo 135-8430, Japan
Telephone: 03-3642-6661
Facsimile: 03-3642-6698

NC9925AE 2000.02