

## OVERVIEW

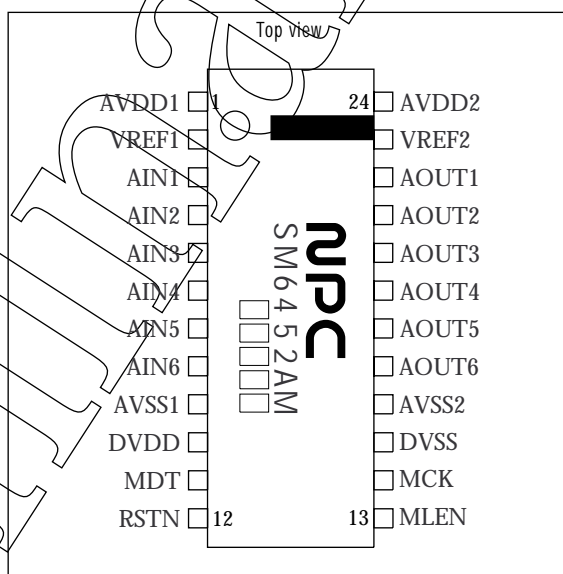
The SM6452AM/BM are serial-control electronic variable volume ICs for audio applications. They provide electronic volume control for 6 channels, with independent channel gain, attenuation and muting. They feature enhanced digital zip noise suppression. The serial control options are 3-wire interface (SM6452AM) and I<sup>2</sup>C bus (SM6452BM). The SM6452AM/BM are available in 24-pin SSOP packages.

## FEATURES

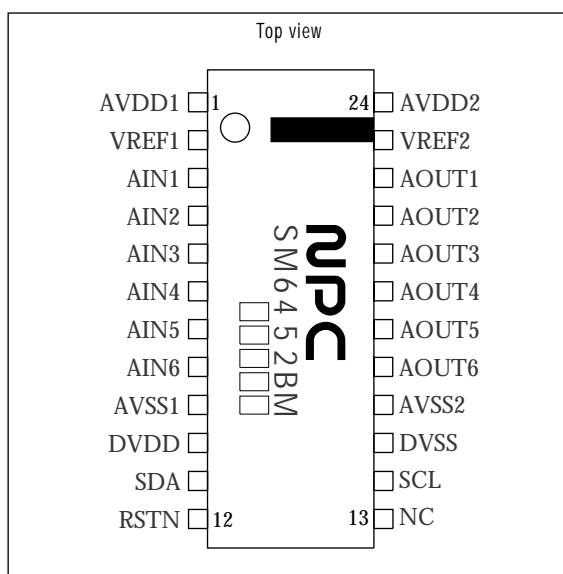
- 6-channel input/output (positive-phase-sequence output)
- Attenuation function
  - 6-channel independent control
  - +16 to 0 to -79dB variable range
  - 1.0 dB/step adjustment
  - Mute function
- Microcontroller interface
  - 3-wire serial data interface (SM6452AM)
  - I<sup>2</sup>C bus format 2-wire control (SM6452BM)\*1
  - I<sup>2</sup>C address = 1000000
- Low noise
  - ≤ 0.002% THD + noise
  - ≤ 10μVrms residual noise
- 0.5AV<sub>DD</sub> analog reference voltage source built-in
- Power supply
  - 7 to 13V analog supply
  - 2.7 to 5.5V digital supply
- Molybdenum-gate CMOS process
- 24-pin SSOP

## PINOUT

### SM6452AM



### SM6452BM



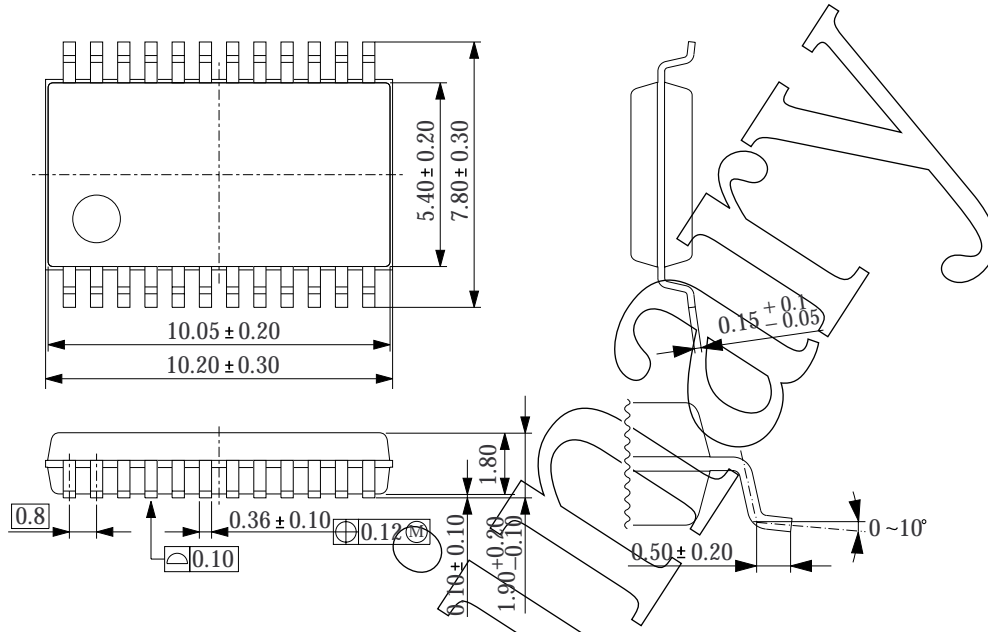
## ORDERING INFORMATION

Device	Package
SM6452AM	24-pin SSOP
SM6452BM	24-pin SSOP

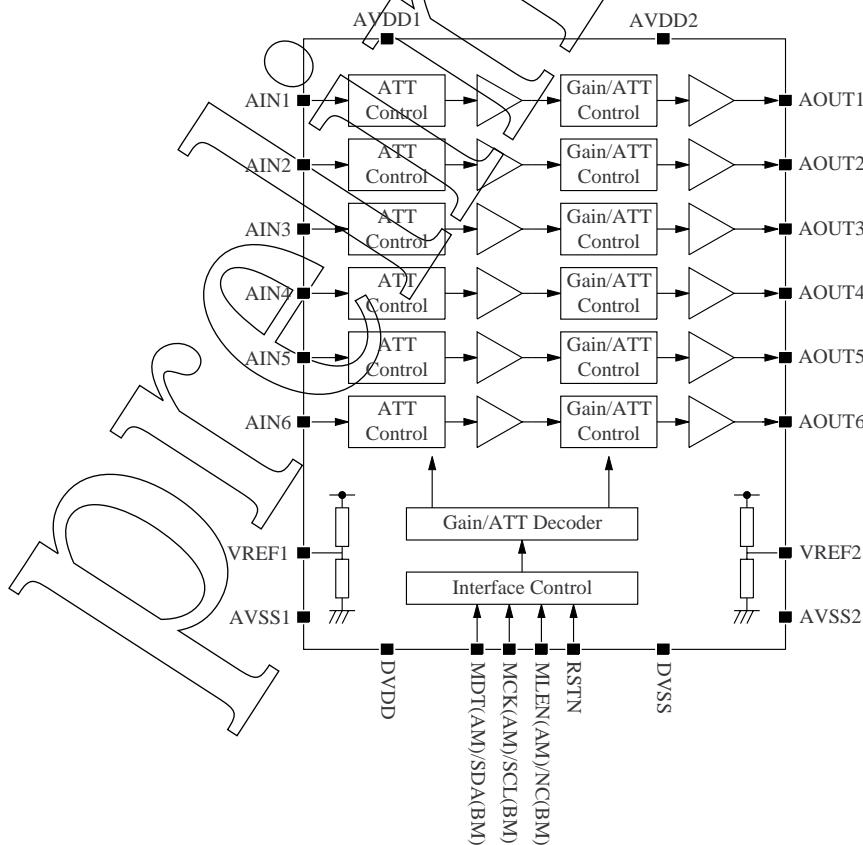
\*1. I<sup>2</sup>C bus is a registered trademark of Philips Electronics N.V.

**PACKAGE DIMENSIONS**

Unit: mm



**BLOCK DIAGRAM**



## PIN DESCRIPTION

Number	Name	I/O <sup>1</sup>	A/D <sup>2</sup>	Description
1	AVDD1	-	A	Analog supply 1
2	VREF1	O	A	Reference voltage source capacitor connection (0.5AVDD1)
3	AIN1	I	A	Channel 1 audio input
4	AIN2	I	A	Channel 2 audio input
5	AIN3	I	A	Channel 3 audio input
6	AIN4	I	A	Channel 4 audio input
7	AIN5	I	A	Channel 5 audio input
8	AIN6	I	A	Channel 6 audio input
9	AVSS1	-	A	Analog ground 1
10	DVDD	-	D	Digital supply
11	MDT (AM)	I	D	Microcontroller data input
	SDA (BM)	I/O	D	I <sup>2</sup> C bus serial data input and acknowledge (ACK) signal output
12	RSTN	Ip	D	System reset input (active LOW-level)
13	MLEN (AM)	Ip	D	Microcontroller latch enable input
	NC (BM)	-	-	No connection
14	MCK (AM)	I	D	Microcontroller clock input
	SCL (BM)	I	D	I <sup>2</sup> C bus clock input
15	DVSS	-	D	Digital ground
16	AVSS2	-	A	Analog ground 2
17	AOUT6	O	A	Channel 6 audio output
18	AOUT5	O	A	Channel 5 audio output
19	AOUT4	O	A	Channel 4 audio output
20	AOUT3	O	A	Channel 3 audio output
21	AOUT2	O	A	Channel 2 audio output
22	AOUT1	O	A	Channel 1 audio output
23	VREF2	O	A	Reference voltage source capacitor connection (0.5AVDD2)
24	AVDD2	-	A	Analog supply 2

1. Ip = input pin with pull-up

2. A = analog, D= digital

## SPECIFICATIONS

### Absolute Maximum Ratings

AVSS1 = AVSS2 = DVSS = 0V, AVDD1 = AVDD2 = AV<sub>DD</sub>, DVDD = DV<sub>DD</sub>

Parameter	Symbol	Rating <sup>1</sup>	Unit
Analog supply voltage	AV <sub>DD</sub>	-0.3 to 15.0	V
Digital supply voltage	DV <sub>DD</sub>	-0.3 to 7.0	V
Analog input voltage	V <sub>INA</sub>	V <sub>SS</sub> - 0.3 to AV <sub>DD</sub> + 0.3	V
Digital input voltage	V <sub>IND</sub>	V <sub>SS</sub> - 0.3 to DV <sub>DD</sub> + 0.3	V
I <sup>2</sup> C bus signal input voltage (SDA, SCL)	V <sub>IOPEN</sub>	10	V
Storage temperature range	T <sub>stg</sub>	-55 to 125	°C
Power dissipation	P <sub>D</sub>	TBD	mW

1. Ratings also apply at supply switch ON and OFF.

### Recommended Operating Conditions

AVSS1 = AVSS2 = DVSS = 0V

Parameter	Symbol	Rating	Unit
Analog supply voltage	AV <sub>DD</sub>	7.0 to 13.0	V
Digital supply voltage	DV <sub>DD</sub>	2.7 to 5.5	V
Supply voltage deviation	AV <sub>DD1</sub> - AV <sub>DD2</sub> , AV <sub>SS1</sub> - AV <sub>SS2</sub> , AV <sub>SS1</sub> - DV <sub>SS</sub> , AV <sub>SS2</sub> - DV <sub>SS</sub>	±0.1	V
Operating temperature	T <sub>opr</sub>	-40 to 85	°C

**DC Characteristics (SM6452AM)**
 $AV_{DD} = 7$  to  $13V$ ,  $DV_{DD} = 2.7$  to  $5.5V$ ,  $V_{SS} = 0V$ ,  $T_a = -40$  to  $85^\circ C$ 

Parameter	Symbol	Condition	Rating			Unit
			min	typ	max	
DVDD current consumption	$I_{DD1}$	Data transfer stopped, MDT = MCK = MLEN = RSTN = $DV_{DD} = 5V$	-	TBD	TBD	$\mu A$
	$I_{DD2}$	Data transfer in progress, $DV_{DD} = 5V$	-	TBD	TBD	mA
AVDD1, AVDD2 current consumption	$I_{DDA}$		-	TBD	TBD	mA
MDT, MCK, MLEN, RSTN HIGH-level input voltage	$V_{IH}$		$0.7DV_{DD}$	-	-	V
MDT, MCK, MLEN, RSTN LOW-level input voltage	$V_{IL}$		-	-	$0.3DV_{DD}$	V
RSTN, MLEN input current	$I_{IL1}$	$V_{IN} = 0V$	-	TBD	TBD	$\mu A$
MDT, MCK input leakage current	$I_{LL1}$	$V_{IN} = 0V$	-	-	TBD	$\mu A$
	$I_{LH1}$	$V_{IN} = DV_{DD}$	-	-	TBD	$\mu A$
RSTN, MLEN input leakage current	$I_{LH2}$	$V_{IN} = DV_{DD}$	-	-	TBD	$\mu A$

**DC Characteristics (SM6452BM)**
 $AV_{DD} = 7$  to  $13V$ ,  $DV_{DD} = 2.7$  to  $5.5V$ ,  $V_{SS} = 0V$ ,  $T_a = -40$  to  $85^\circ C$ 

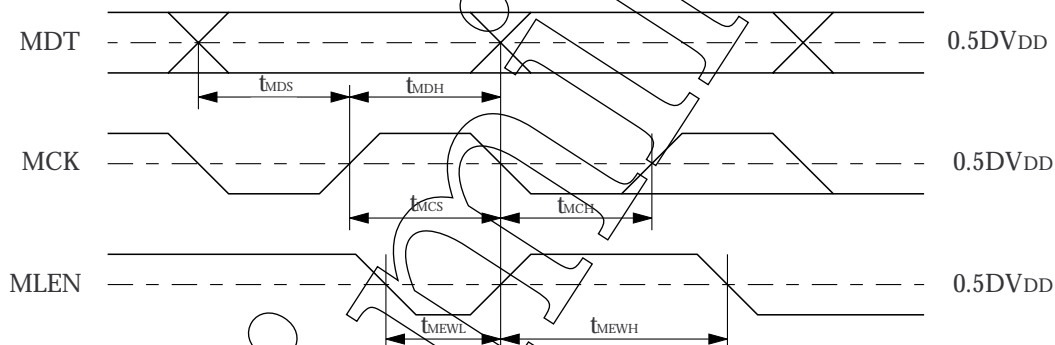
Parameter	Symbol	Condition	Rating			Unit
			min	typ	max	
DVDD current consumption	$I_{DD1}$	Data transfer stopped, SDA = SCL = RSTN = $DV_{DD}$	-	TBD	TBD	$\mu A$
	$I_{DD2}$	Data transfer in progress	-	TBD	TBD	mA
AVDD1, AVDD2 current consumption	$I_{DDA}$		-	TBD	TBD	mA
SDA, SCL, RSTN HIGH-level input voltage	$V_{IH}$		$0.7DV_{DD}$	-	-	V
SDA, SCL, RSTN LOW-level input voltage	$V_{IL}$		-	-	$0.3DV_{DD}$	V
RSTN input current	$I_{IL1}$	$V_{IN} = 0V$	-	TBD	TBD	$\mu A$
SDA, SCL input current	$I_{IL2}$	$V_{IN} = 0V$	-	TBD	TBD	$\mu A$
RSTN input leakage current	$I_{LH1}$	$V_{IN} = DV_{DD}$	-	-	TBD	$\mu A$
SDA, SCL input leakage current	$I_{LH2}$	$V_{IN} = DV_{DD}$	-	-	TBD	$\mu A$
	$I_{LH3}$	$V_{IN} = 10V$	-	-	TBD	$\mu A$
SDA LOW-level output voltage	$V_{OL}$	ACK signal output, 3mA input current	TBD	-	TBD	V

**AC Digital Characteristics (SM6452AM)**

$V_{DD} = 7$  to  $13V$ ,  $DV_{DD} = 2.7$  to  $5.5V$ ,  $V_{SS} = 0V$ ,  $T_a = -40$  to  $85^\circ C$

**Serial inputs (MDT, MCK, MLEN)**

Parameter	Symbol	Rating			Unit
		min	typ	max	
MCK, MLEN rise time	$t_r$	-	-	100	ns
MCK, MLEN fall time	$t_f$	-	-	100	ns
MDT setup time	$t_{MDS}$	50	-	-	ns
MDT hold time	$t_{MDH}$	50	-	-	ns
MLEN setup time	$t_{MCS}$	50	-	-	ns
MLEN hold time	$t_{MCH}$	50	-	-	ns
MLEN LOW-level pulsewidth	$t_{MEWL}$	50	-	-	ns
MLEN HIGH-level pulsewidth	$t_{MEWH}$	50	-	-	ns

**Reset input (RSTN)**

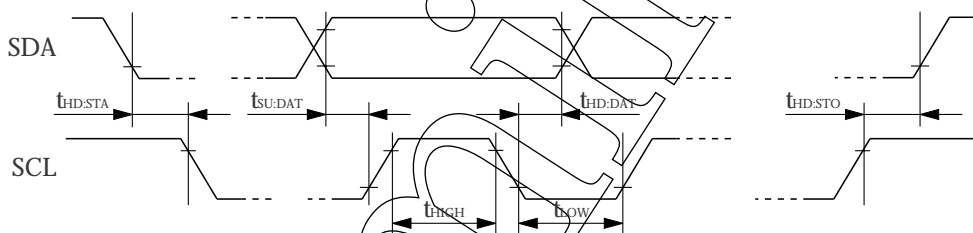
Parameter	Symbol	Rating			Unit
		min	typ	max	
RSTN LOW-level pulsewidth	$t_{RSTN}$	100	-	-	ns

**AC Digital Characteristics (SM6452BM)**

$AV_{DD} = 7$  to  $13V$ ,  $DV_{DD} = 2.7$  to  $5.5V$ ,  $V_{SS} = 0V$ ,  $T_a = -40$  to  $85^\circ C$

**Serial inputs (SDA, SCL)**

Parameter	Symbol	Rating			Unit
		min	typ	max	
SCL hold time (start)	$t_{HD:STA}$	4.0	-	-	$\mu s$
SCL setup time (stop)	$t_{SU:STA}$	4.0	-	-	$\mu s$
SDA hold time	$t_{HD:DAT}$	5.0	-	-	$\mu s$
SDA setup time	$t_{SU:DAT}$	250	-	-	ns
SCL clock HIGH-level pulsewidth	$t_{HIGH}$	4.0	-	-	$\mu s$
SCL clock LOW-level pulsewidth	$t_{LOW}$	4.7	-	-	$\mu s$
SCL rise time	$t_r$	-	-	1000	ns
SCL fall time	$t_f$	-	-	300	ns

**Reset input (RSTN)**

Parameter	Symbol	Rating			Unit
		min	typ	max	
RSTN LOW-level pulsewidth	$t_{RSTN}$	100	-	-	ns

## AC Analog Characteristics

$AV_{DD} = 9V$ ,  $DV_{DD} = 5V$ , (TBD) $V_{rms}$  analog input amplitude, 1kHz analog input frequency, 100k $\Omega$  output load resistance,  $T_a = 25^\circ C$ , AC-coupled inputs

### Analog inputs (AIN1 to AIN6)

Parameter	Symbol	Condition	Rating			Unit
			min	typ	max	
Reference input amplitude	$V_{AI}$		-	TBD	-	$V_{rms}$
Input resistance <sup>1</sup>	$R_{IN}$	ATT = 0dB	TBD	TBD	TBD	$\Omega$
Input clipping voltage	$V_{CLP}$	THD + N = 1%, ATT = 0dB	-	TBD	-	$V_{rms}$

1.  $R_{IN}$  varies with the ATT setting. See figure 11 in the Analog Performance Characteristics section.

### Analog outputs (AOUT1 to AOUT6)

Parameter	Symbol	Condition	Rating			Unit
			min	typ	max	
Residual noise voltage	$V_{NS}$	Input signal: 0Vrms, A-weight filter, 0dB	-	TBD	TBD	$\mu V_{rms}$
Signal-to-noise ratio	SNR	(TBD) $V_{rms}$ , ATT = 0dB	TBD	TBD	-	dBr
Total harmonic distortion + noise	THD + N	ATT = 0dB, 20kHz lowpass filter		TBD	TBD	%
Gain control range	$R_{CNT}$		-79	-	+16	dB
Step size	Step		0.8	1.0	1.5	dB
Attenuation error (1 to 20kHz)	ERR <sub>1</sub>	+16 to -60dB	TBD	-	TBD	dB
	ERR <sub>2</sub>	-61 to -79dB	TBD	-	TBD	dB
Absolute attenuation (1kHz)	AT <sub>0</sub>	ATT = 16dB	-	TBD	-	dB
	AT <sub>1</sub>	ATT = 0dB	-	TBD	-	dB
	AT <sub>2</sub>	ATT = -20dB	-	TBD	-	dB
	AT <sub>3</sub>	ATT = -40dB	-	TBD	-	dB
	AT <sub>4</sub>	ATT = -60dB	-	TBD	-	dB
	AT <sub>5</sub>	ATT = -79dB	-	TBD	-	dB
Mute attenuation (1kHz)	Mute	ATT = Mute	TBD	TBD	-	dB
Channel crosstalk <sup>1</sup>	CT	ATT = 0dB	TBD	TBD	-	dB
Frequency response	FR	ATT = 0dB, f = 200kHz	-	TBD	-	dB
Quiescent output zero noise voltage <sup>2</sup>	$N_J$	0Vrms input signal	-	-	TBD	mVp-p
Minimum driver load resistance	$R_{ML}$	ATT = 0dB, THD + N = 1%	TBD	TBD	-	$\Omega$

1. Leakage to other channels when analog input is applied to one channel only.

2. Noise occurring when the ATT setting is changed (peak to peak)

### Reference voltage (VREF1, VREF2)

Parameter	Symbol	Condition	Rating			Unit
			min	typ	max	
Reference voltage output	$V_{REF}$		0.45 $V_{DD}$	0.5 $V_{DD}$	0.55 $V_{DD}$	V



**MEASUREMENT CIRCUIT**

**TBD**

*Preliminary*

## MICROCONTROLLER INTERFACE

### SM6452AM

#### Transfer format

The SM6452AM uses a 3-wire serial interface to select channels and set attenuation levels. The transfer format is shown in figure 1.

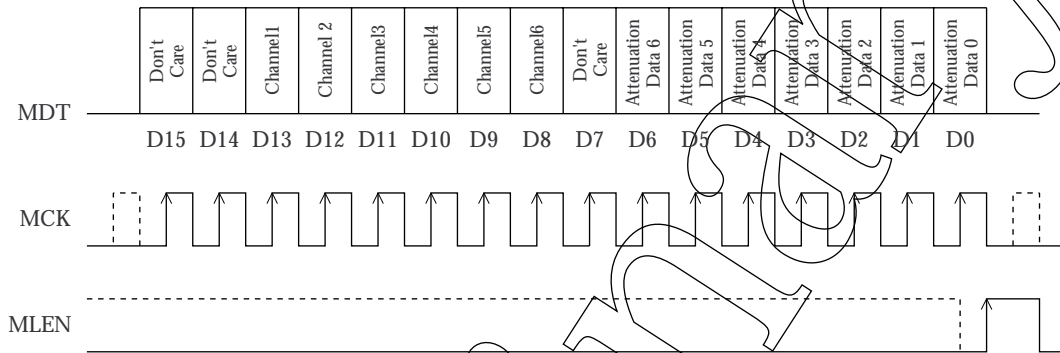


Figure 1. Microcontroller input data timing

Data is shifted into the internal shift register on the rising edge of MCK, and the attenuation value is loaded and changed on the rising edge of MLEN. Accordingly, data on MDT should be changed on the falling edge of MCK. The dotted lines for MCK and MLEN also indicate valid timing.

#### Data description (D15 to D0)

In the following description, LOW implies  $V_{IL}$  level and HIGH implies  $V_{IH}$  level.

- D15, D14  
Don't care.
- D13 to D8  
Chip address bits. Each of 6 channels is set when the corresponding bit is set HIGH.
  - D13: channel 1
  - D12: channel 2
  - D11: channel 3
  - D10: channel 4
  - D9: channel 5
  - D8: channel 6
- D7 to D0  
Gain/attenuation set bits. The gain/attenuation setting for ATT register settings are shown in table 1.

## SM6452BM

### Transfer format

The SM6452BM uses Philips I<sup>2</sup>C interface to select channels and set attenuation levels. For details of the I<sup>2</sup>C bus, refer to Philips "I<sup>2</sup>C Bus Specification Description". Here, we describe only the aspects for controlling the SM6452BM. The transfer format is shown in figure 2.

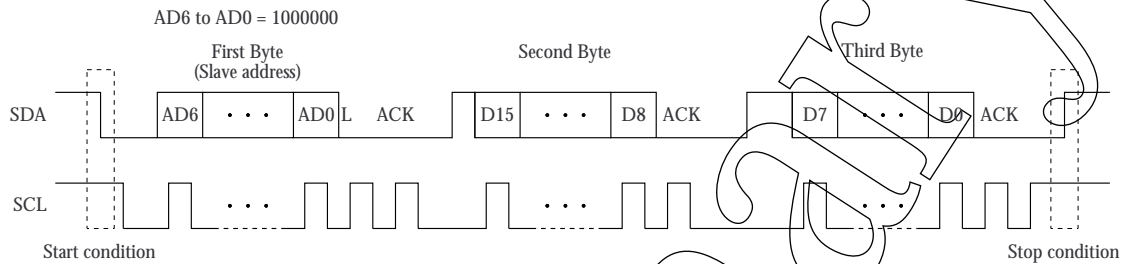


Figure 2. Microcontroller input data timing

As shown in figure 2, the data format comprises 3 bytes. After the SM6452BM receives 8 bits for each byte, an acknowledge signal (ACK) on SDA goes LOW to confirm the data transfer.

### Data format

- Byte 1 (slave address)  
The first byte is slave address. The SM6452BM address (AD6 to AD0) is 1000000. The 8th bit indicates information write and should be set LOW.
- Bytes 2 and 3  
Bytes 2 and 3 are the channel select and gain/attenuation level set bits. Byte 2 represents data bits D15 to D8, and byte 3 represents data bits D7 to D0.

### Data description (D15 to D0)

- D15, D14  
Don't care.
- D13 to D8  
Chip address bits. Each of 6 channels is set when the corresponding bit is set HIGH.
  - D13: channel 1
  - D12: channel 2
  - D11: channel 3
  - D10: channel 4
  - D9: channel 5
  - D8: channel 6
- D7 to D0  
Gain/attenuation set bits. The gain/attenuation setting for ATT register settings are shown in table 1.

## Attenuation settings

Table 1. ATT settings

Attenuation <sup>1</sup>	ATT <sub>H</sub>	D7	D6	D5	D4	D3	D2	D1	D0
16dB	00	×	LOW	LOW	LOW	LOW	LOW	LOW	LOW
15dB	01	×	LOW	LOW	LOW	LOW	LOW	LOW	HIGH
↓	↓	↓	↓	↓	↓	↓	↓	↓	↓
1dB	0F	×	LOW	LOW	LOW	HIGH	HIGH	HIGH	HIGH
0dB	10	×	LOW	LOW	HIGH	LOW	LOW	LOW	LOW
-1dB	11	×	LOW	LOW	HIGH	LOW	LOW	LOW	HIGH
↓	↓	↓	↓	↓	↓	↓	↓	↓	↓
-15dB	1F	×	LOW	LOW	HIGH	HIGH	HIGH	HIGH	HIGH
-16dB	20	×	LOW	HIGH	LOW	LOW	LOW	LOW	LOW
-17dB	21	×	LOW	HIGH	LOW	LOW	LOW	LOW	HIGH
↓	↓	↓	↓	↓	↓	↓	↓	↓	↓
-78dB	5E	×	HIGH	LOW	HIGH	HIGH	HIGH	HIGH	LOW
-79dB	5F	×	HIGH	LOW	HIGH	HIGH	HIGH	HIGH	HIGH
Mute	6×	×	HIGH	HIGH	LOW	×	×	×	×
Mute	7×	×	HIGH	HIGH	HIGH	×	×	×	×

1. Outputs are muted after system reset. The ATT hex code is determined by D6 to D0 only.

Preliminary

---

**ANALOG PERFORMANCE CHARACTERISTICS**

$AV_{DD} = 9V$ ,  $DV_{DD} = 5V$ ,  $100k\Omega$  output load resistance,  $T_a = 25^\circ C$

**TBD**

Figure 3. THD + N vs. input amplitude

**TBD**

Figure 4. THD + N vs. frequency

**TBD**

Figure 5. Gain/attenuation error

**TBD**

Figure 6. Residual noise vs. ATT

**TBD**

Figure 7. Frequency response

**TBD**

Figure 8. Crosstalk frequency response

**TBD**

Figure 9. FFT spectrum

**TBD**

Figure 10. THD + N vs. load resistance

**TBD**

Figure 11. Input resistance vs. ATT

**TBD**

Figure 12. Current consumption vs. supply voltage

**TBD**

Figure 13. Current consumption vs. temperature

**TYPICAL APPLICATIONS**

**TBD**

Preliminary

Preliminary

NIPPON PRECISION CIRCUITS INC. reserves the right to make changes to the products described in this data sheet in order to improve the design or performance and to supply the best possible products. Nippon Precision Circuits Inc. assumes no responsibility for the use of any circuits shown in this data sheet, conveys no license under any patent or other rights, and makes no claim that the circuits are free from patent infringement. Applications for any devices shown in this data sheet are for illustration only and Nippon Precision Circuits Inc. makes no claim or warranty that such applications will be suitable for the use specified without further testing or modification. The products described in this data sheet are not intended to use for the apparatus which influence human lives due to the failure or malfunction of the products. Customers are requested to comply with applicable laws and regulations in effect now and hereinafter, including compliance with export controls on the distribution or dissemination of the products. Customers shall not export, directly or indirectly, any products without first obtaining required licenses and approvals from appropriate government agencies.

**NPC**  
NIPPON PRECISION CIRCUITS INC.

NIPPON PRECISION CIRCUITS INC.

4-3, Fukuzumi 2-chome  
Koto-ku, Tokyo 135-8430, Japan  
Telephone: 03-3642-6661  
Facsimile: 03-3642-6698

NP9917BE 2000.1