

TVS Diode Array

APPLICATION

- ◆ Wireless System
- ◆ Networks
- ◆ Portable Instrumentation
- ◆ RS485 Ports



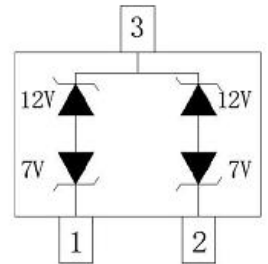
IEC COMPATIBILITY

Package: SOT-23

- ◆ IEC61000-4-2 (ESD) ±30kV (air), ±30kV (contact)
- ◆ IEC61000-4-5 (Lightning)13A 8/20uS

FEATURES

- ◆ 325W peak pulse power (8/20us)
- ◆ Ultra low leakage: nA level
- ◆ Operating voltage: 7V or 12V
- ◆ Low clamping voltage



Electrical Characteristics

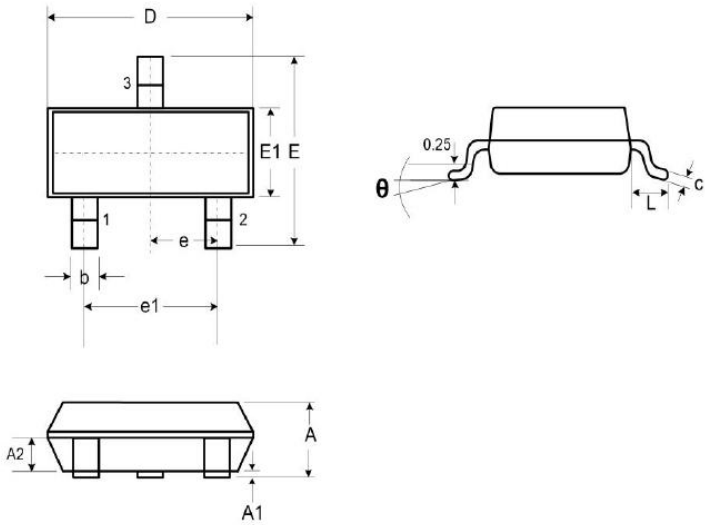
Parameter	Symbol	Value	Unit
Peak Pulse Power (8/20µs)	Ppk	325	W
Peak Pulse Current (8/20µs)	Ipp	13	A
ESD per IEC 61000-4-2 (Air)	VESD	±20	kV
ESD per IEC 61000-4-2 (Contact)		±15	
Operating Temperature Range	TJ	-55 to +125	°C
Storage Temperature Range	Tstg	-55 to +150	°C

Electrical Characteristics

Part Number	VRWM	VBR	IR (max)	Co Max value	Vc @1A Max	Vc @ A Max	Ipp@8/20us	Ppp 8/20us	Delivery Time
	V	V	(uA)	pF	V	V	A max	W	Days
SM712	12	13.3	0.05	45	20	26	13	325	7days
	7	7.5	2.0	45	10	16	13		

TVS Diode Array

Package Mechanical Data



SYM	DIMENSIONS					
	INCHES			MILLIMETERS		
	MIN	NOM	MAX	MIN	NOM	MAX
A	.035	-	.044	0.89	-	1.12
A1	.000	-	.004	0.01	-	0.10
A2	.035	.037	.040	0.88	0.95	1.02
b	0.012	-	.020	0.30	-	0.51
c	0.03	-	.007	0.08	-	0.18
D	.110	.114	.120	2.80	2.90	3.04
E	.082	.093	.104	2.10	2.37	2.64
E1	.047	.051	.055	1.20	1.30	1.40
e	.075			1.90		
e1	.037			0.95		
L	.015	.020	.024	0.40	0.50	0.60
L1	.022			0.55		
N	3			3		
θ	0°	-	8°	0°	-	8°

Ordering Information

Part Number	Qty per Reel	Reel Size	Package	Delivery Time
SM712	3000pcs	7inch	SOT-23	7days

Specifications are subject to change without notice

2

Tel: +86-755-27465585

HUAAN LIMITED

www.huaandz.com

Email: sales@huaandz.com