



三合微科股份有限公司
SAMHOP Microelectronics Corp.

SM7498HL

3W STEREO AUDIO POWER AMPLIFIER WITH ADVANCED DC VOLUME CONTROL

SM7498HL

**3W STEREO AUDIO POWER AMPLIFIER
WITH ADVANCED DC VOLUME CONTROL**

**REV. 0.2
(Preliminary)**

April 03, 2007

www.DataSheet4U.com

**The information in this document is subject to change without notice.
© SAMHOP Microelectronics Corp. All Rights Reserved.**

台北縣新店市民權路100號7樓
7F, No. 100, Min-Chyuan Road, Hsintien, Taipei Hsien, Taiwan, R.O.C.
TEL: 886-2-2218-3978/2820 FAX: 886-2-2218-3320
Email : info@samhop.com.tw



SAMHOP Microelectronics Corp.

SM7498HL

3W STEREO AUDIO POWER AMPLIFIER WITH ADVANCED DC VOLUME CONTROL

GENERAL DESCRIPTION

The SM7498HL is a stereo Class AB audio power amplifier that drives 3 W/channel of continuous RMS power into a 16-Ω load. Advanced dc volume control minimizes external components. TV and monitor benefit from the integrated feature set that minimizes external components without sacrificing functionality.

FEATURES

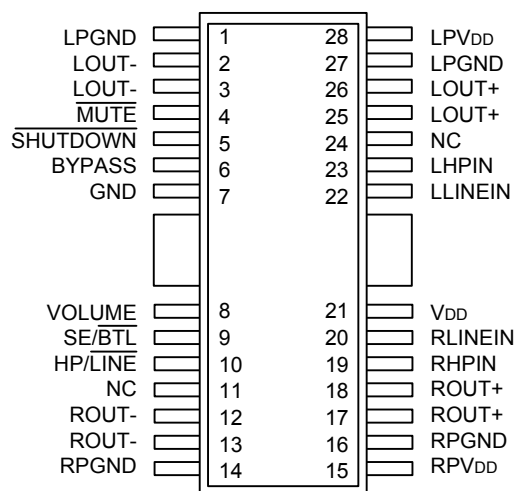
- * 32-step DC volume control
- * Mute and shutdown mode
- * Short circuit and thermal protection
- * SE and BTL selector
- * 3 W Into 16 -Ω Speakers
- * Input MUX
- * Depop circuitry

APPLICATIONS

www.DataSheet4U.com

- * Small panel LCD TV
- * LCD Monitors
- * Portable DVD
- * Mini speaker
- * Digital broadcast system

PIN ASSIGNMENTS (TOP VIEW)



SM7498HL 28PIN



SAMHOP Microelectronics Corp.

SM7498HL**3W STEREO AUDIO POWER AMPLIFIER WITH ADVANCED DC VOLUME CONTROL****PIN DESCRIPTIONS**

No.	Pin Name	I / O	Function
1.27	LPGND	-	Left channel power ground
2.3	LOUT-	O	Left channel negative audio output
4	$\overline{\text{MUTE}}$	I	Places the amplifier in mute mode if a TTL logic low is placed on this terminal
5	$\overline{\text{SHUTDOWN}}$	I	Places the amplifier in shutdown mode if a TTL logic low is placed on this terminal
6	BYPASS	I	Tap to voltage divider for internal midsupply bias generator used for analog reference.
7	GND	-	Power ground
8	VOLUME	I	Terminal for dc volume control. DC voltage range is 0V to 5V
9	SE/ $\overline{\text{BTL}}$	I	Output MUX control. When this terminal is high, SE outputs are selected. When this terminal is low, BTL outputs are selected.
10	HP/ $\overline{\text{LINE}}$	I	Input MUX control. When logic high, RHPIN and LHPIN inputs are selected. When logic low, RLINEIN and LLINEIN inputs are selected.
12.13	ROUT-	O	Right channel negative audio output
14,16	RPGND	-	Right channel power ground
15	RPV _{DD}	-	Supply voltage terminal for right power stage
17.18	ROUT+	O	Right channel positive audio output
19	RHPIN	I	Right channel input, selected when HP/ $\overline{\text{LINE}}$ is held high
20	RLINEIN	I	Right channel input, selected when HP/ $\overline{\text{LINE}}$ is held low
21	V _{DD}	-	Supply voltage terminal
22	LLINEIN	I	Left channel input, selected when HP/ $\overline{\text{LINE}}$ is held low
23	LHPIN	I	Left channel input, selected when HP/ $\overline{\text{LINE}}$ is held high
25.26	LOUT+	O	Left channel positive audio output
28	LPV _{DD}	-	Supply voltage terminal for left power stage
11.24	NC		No connection



SAMHOP Microelectronics Corp.

SM7498HL

3W STEREO AUDIO POWER AMPLIFIER WITH ADVANCED DC VOLUME CONTROL

MAXIMUM RATINGS (Ta = 40~85°C)

Characteristic	Symbol	Rating	Unit
Supply Voltage	V _{DD}	-0.3 ~ 14.5	V
Input Voltage	V _I	- 0.3 ~ V _{DD} +0.3	V
Operating free-air temperature range	T _A	- 40 ~ 85	°C
Operating junction temperature range	T _J	- 40 ~150	°C
Storage temperature range	T _{stg}	- 65 ~150	°C
Lead temperature 1.6 mm (1/16 inch) from case for 10 seconds	-	260	°C

RECOMMENDED OPERATING CONDITION

Characteristic	Symbol	Condition	Min.	Typ.	Max.	Unit
Supply Voltage	V _{DD}	--	9.0		13.5	V
High-level input voltage	V _{IH}	MUTE , SHUTDOWN SE/BTL , HP/LINE	4.0		V _{DD}	V
Low-level input voltage	V _{IL}	MUTE , SHUTDOWN SE/BTL , HP/LINE	0		0.8	V
Operating free-air temperature	T _A	--	- 40		85	°C



SAMHOP Microelectronics Corp.

SM7498HL**3W STEREO AUDIO POWER AMPLIFIER WITH ADVANCED DC VOLUME CONTROL****ELECTRICAL CHARACTERISTICS**(V_{DD} = PV_{DD} = 12V, T_a = 25°C unless otherwise noted)

Characteristic	Symbol	Test Conditions	Min.	Typ.	Max.	Unit
Supply current	I _{DD}	No load		25	40	mA
Shutdown current	I _{SD}	SHUTDOWN=0V, SE/BTL=0V		1	20	uA
Mute current	I _{MUTE}	Mute = 0V, SE/BTL=0V		2.0		mA
Output offset voltage (measured differentially)	V _{OO}	Gain=20dB, SE/BTL=0V			50	mV
High-level input current (SE/BTL, SHUTDOWN, HP/LINE, MUTE)	I _{IH}	V _I = V _{DD} = PV _{DD}			1	uA
Volume					150	
Low-level input current (SE/BTL, SHUTDOWN, VOLUME, HP/LINE, MUTE)	I _{IL}	V _I = 0V			1	uA
Bypass voltage (Nominally V _{DD} /2)	V(BYPASS)	Measured at pin 6, No load ⁽¹⁾		6		V
Short to GND current limit	I _{Short}	V _{IN} = 0V, R _L = 900mΩ		1.1		A

OPERATING CHARACTERISTICS(V_{DD} = PV_{DD} = 12V, R_L = 16Ω, Gain = 6dB, T_a = 25°C unless otherwise noted)

Characteristic	Symbol	Test Conditions	Min.	Typ.	Max.	Unit
Output Power ⁽²⁾	P _O	THD+N=1%, f=1kHz, R _L =16Ω, BTL mode, Gain=20dB		2.7		W
		THD+N=10%, f=1kHz, R _L =16Ω, BTL mode, Gain=20dB		3.2		
		THD+N=1%, f=1kHz, R _L =8Ω, SE mode, Gain=14dB		1.4		
		THD+N=10%, f=1kHz, R _L =8Ω, SE mode, Gain=14dB		1.7		
High-level output voltage	V _{OH}	Measured between output and V _{DD}			600	mV
Low-level output voltage	V _{OL}	Measured between output and GND			400	mV
Supply current, max Power into a 16 Ω load	I _{DD}	Output current P _O =3W, Stereo repetitive peak			1.5	ARMS
Total harmonic distortion+noise	THD + N	P _O = 1W, f = 1KHz, f = 20Hz to 30kHz BTL Mode		0.1		%
Maximum output power bandwidth	B _{OM}	THD=5%		> 20		kHz
Noise output voltage ⁽³⁾		Gain = 0dB, C(BYP) = 1.0 uF		36		μVRMS

(1) At 9.0V < V_{DD} < 13.5V the DC bypass voltage is approximately V_{DD}/2

(2) Output power is measured at the output terminals of the IC.

(3) Noise voltage is measured in a bandwidth of 22Hz to 22KHz.



SAMHOP Microelectronics Corp.

SM7498HL**3W STEREO AUDIO POWER AMPLIFIER WITH ADVANCED DC VOLUME CONTROL****Table 1. DC Volume Control** ($V_{DD} = 12V$, No Load, Volume pin = 5V)

Voltage on volume pin (V _{bc})	Speaker volume (dB)	Headphone volume (dB)
0 ~ 0.65	-65	-70
0.65 ~ 0.79	-39.5	-45.4
0.79 ~ 0.91	-37.6	-43.6
0.91 ~ 1.05	-35.6	-41.6
1.05 ~ 1.18	-33.5	-39.5
1.18 ~ 1.30	-31.7	-37.7
1.30 ~ 1.44	-29.6	-35.7
1.44 ~ 1.56	-27.7	-33.7
1.56 ~ 1.70	-25.9	-32.0
1.70 ~ 1.82	-23.8	-29.8
1.82 ~ 1.96	-22.1	-28.1
1.96 ~ 2.08	-20.0	-26.0
2.08 ~ 2.21	-18.0	-24.1
2.21 ~ 2.35	-15.9	-21.9
2.35 ~ 2.47	-13.9	-20.0
2.47 ~ 2.59	-12.0	-18.1
2.59 ~ 2.73	-10.0	-16.0
2.73 ~ 2.85	-7.97	-14.0
2.85 ~ 2.99	-5.97	-12.0
2.99 ~ 3.12	-4.00	-10.0
3.12 ~ 3.24	-2.01	-8.04
3.24 ~ 3.38	0.01	-6.01
3.38 ~ 3.50	1.98	-4.05
3.50 ~ 3.64	3.96	-2.07
3.64 ~ 3.76	5.97	0.05
3.76 ~ 3.89	7.98	1.96
3.89 ~ 4.02	9.96	3.95
4.02 ~ 4.15	12.0	5.95
4.15 ~ 4.29	13.9	7.93
4.29 ~ 4.41	15.9	9.92
4.41 ~ 4.53	18.0	11.9
4.53 ~ 5.00	19.9	13.9



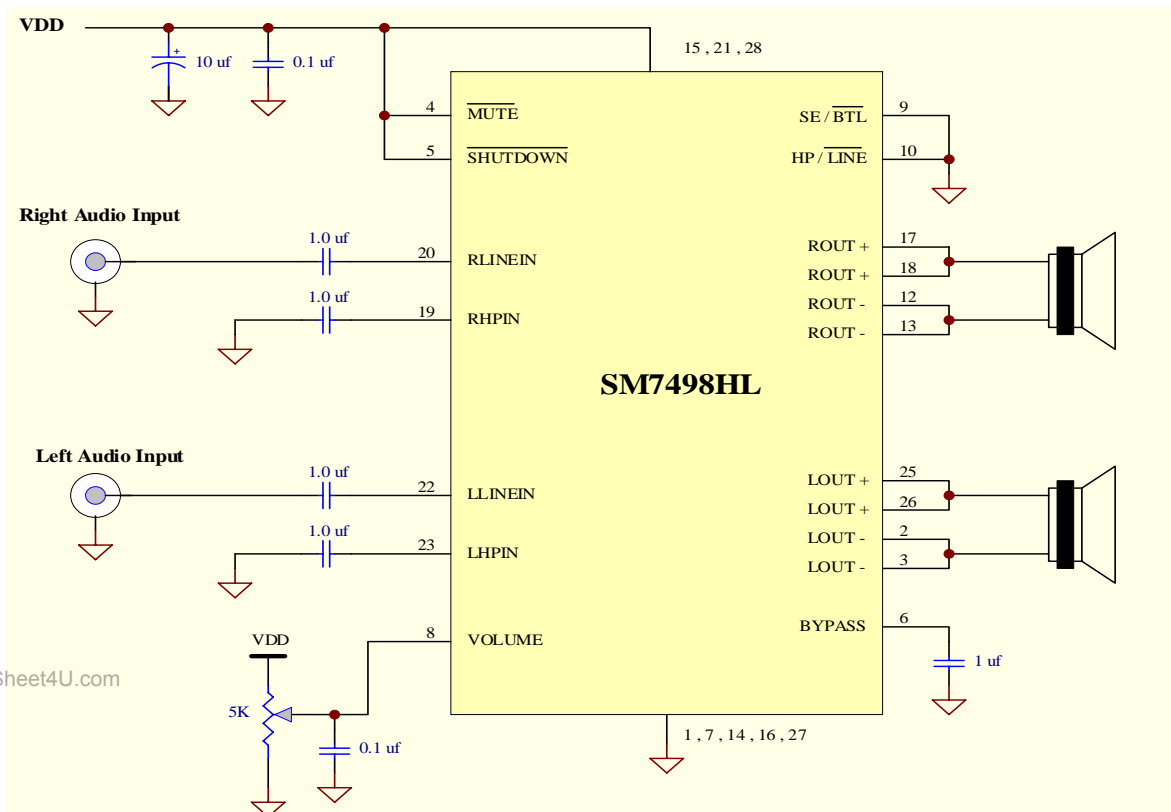
SAMHOP Microelectronics Corp.

SM7498HL

3W STEREO AUDIO POWER AMPLIFIER WITH ADVANCED DC VOLUME CONTROL

APPLICATION INFORMATION

Application circuit using the SM7498HL in an LCD monitor with 16Ω speaker outputs and volume control



www.DataSheet4U.com

Figure 1. Typical Bridge-Tied-Load(BTL) audio amplifier application circuit for an LCD monitor



3W STEREO AUDIO POWER AMPLIFIER WITH ADVANCED DC VOLUME CONTROL

APPLICATION INFORMATION

Application circuit using the SM7498HL in an LCD monitor with 8Ω speaker outputs and volume control

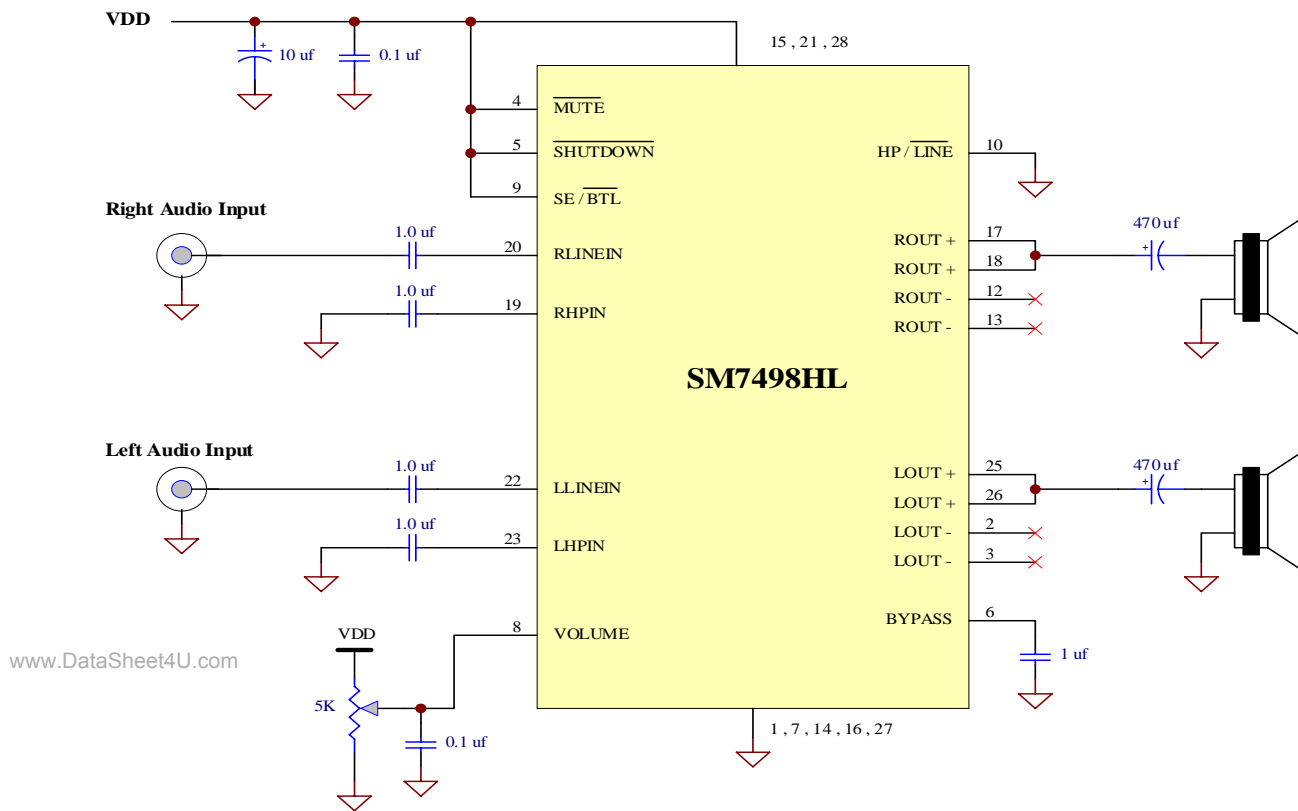
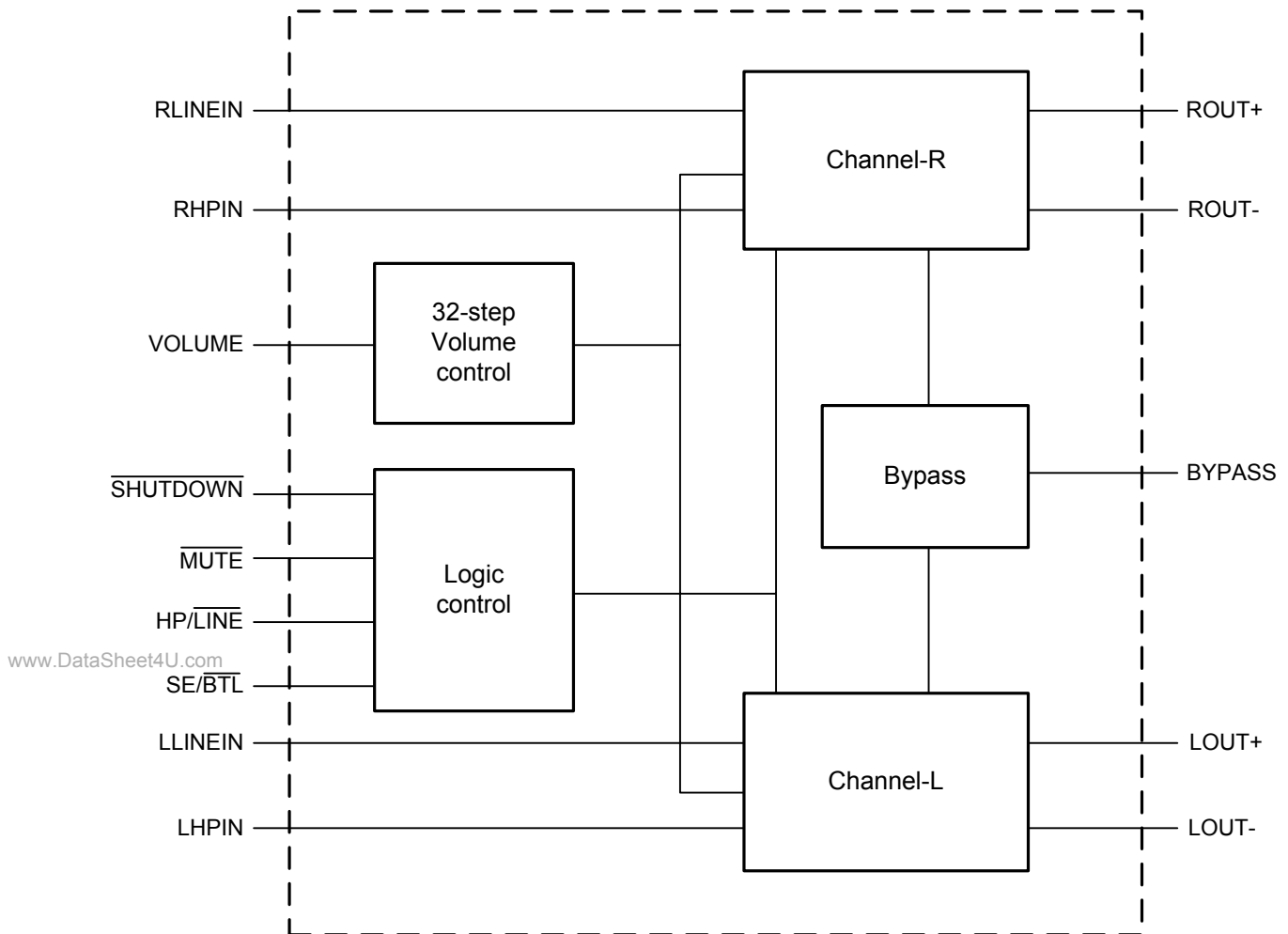


Figure2. Typical Single-Ended (SE) audio amplifier application circuit for an LCD monitor



3W STEREO AUDIO POWER AMPLIFIER WITH ADVANCED DC VOLUME CONTROL

FUNCTIONAL BLOCK DIAGRAM





3W STEREO AUDIO POWER AMPLIFIER WITH ADVANCED DC VOLUME CONTROL

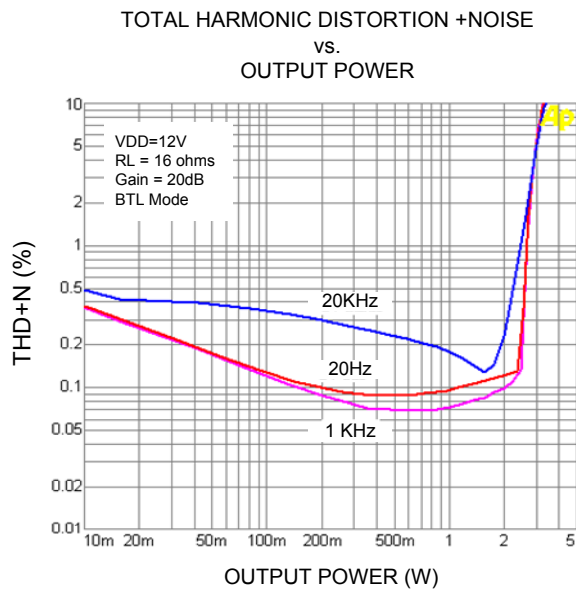


Figure 3

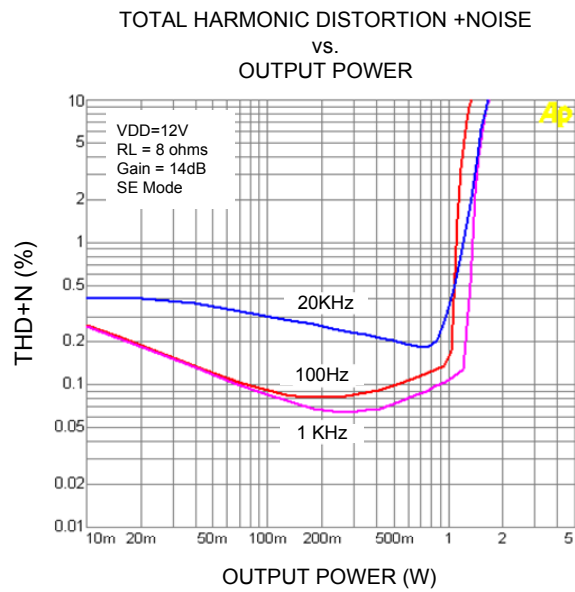


Figure 4

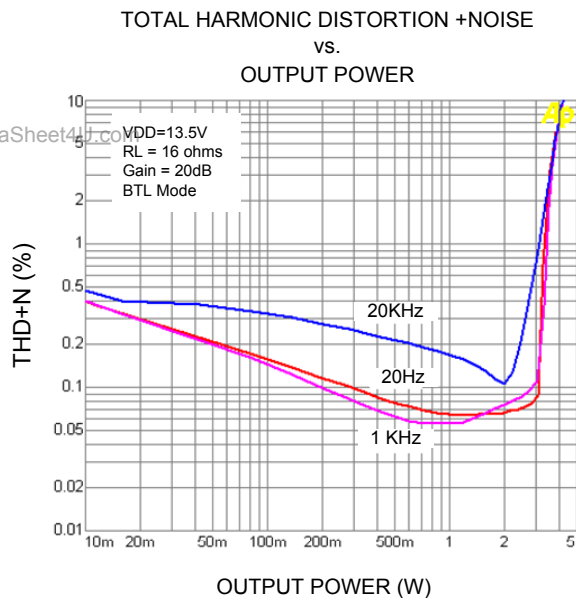


Figure 5

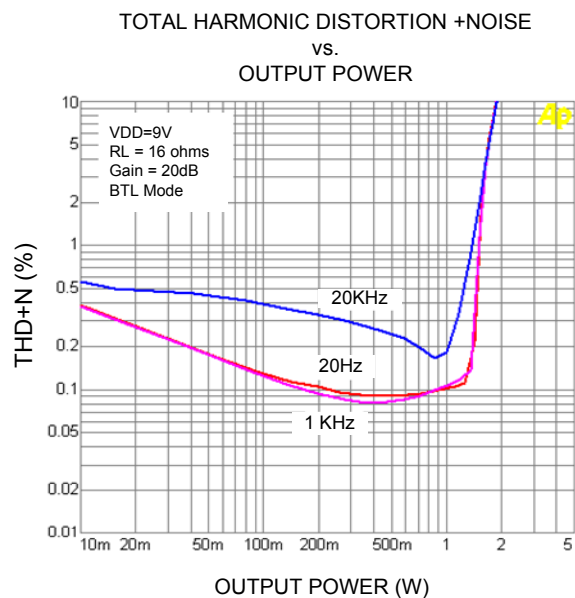


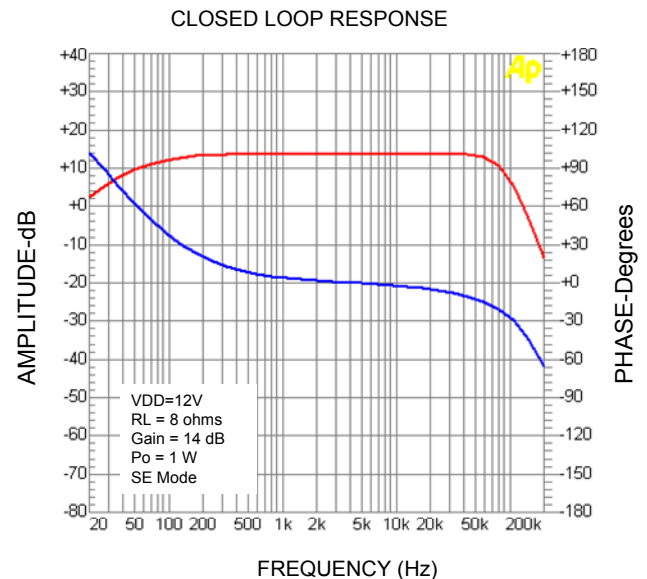
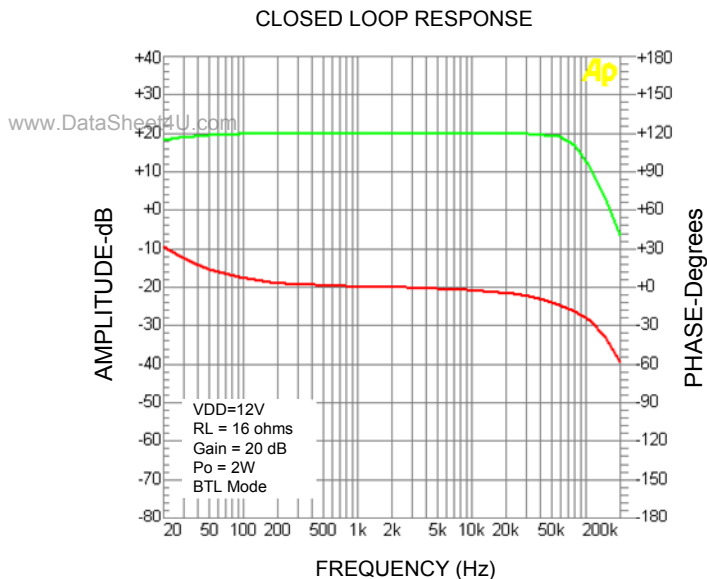
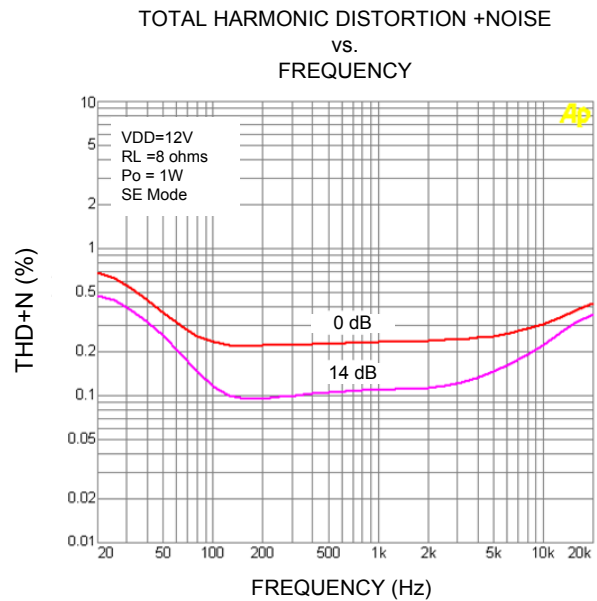
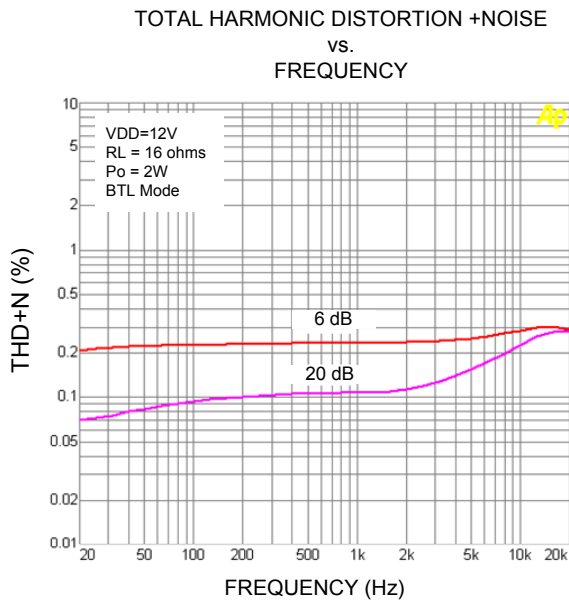
Figure 6



SAMHOP Microelectronics Corp.

SM7498HL

3W STEREO AUDIO POWER AMPLIFIER WITH ADVANCED DC VOLUME CONTROL





SAMHOP Microelectronics Corp.

SM7498HL

3W STEREO AUDIO POWER AMPLIFIER WITH ADVANCED DC VOLUME CONTROL

CROSSTALK vs.FREQUENCY

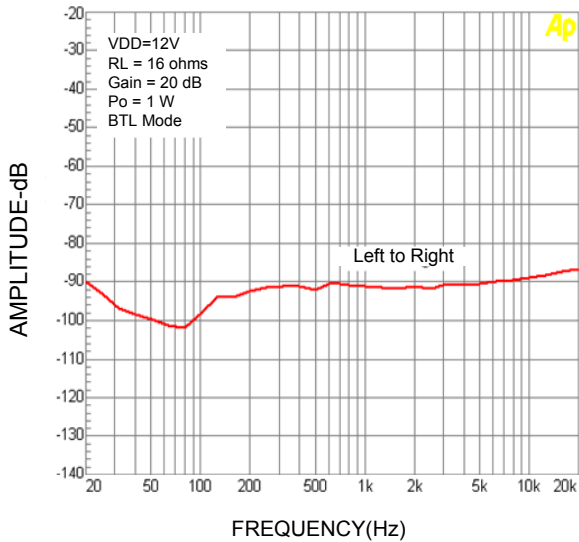


Figure 11

OUTPUT NOISE VOLTAGE vs.FREQUENCY

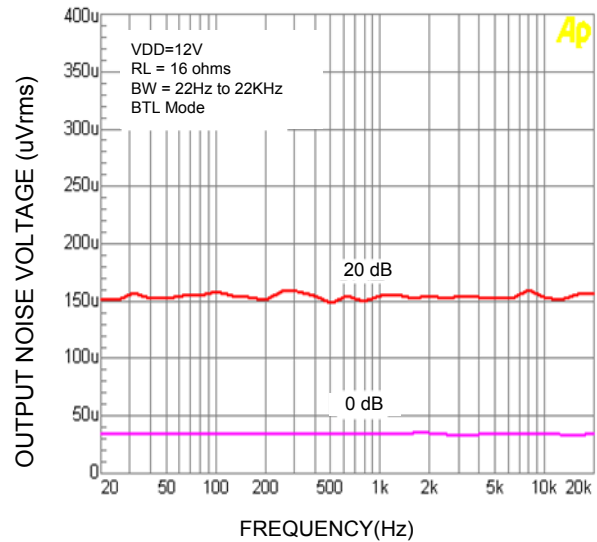


Figure 12



SAMHOP Microelectronics Corp.

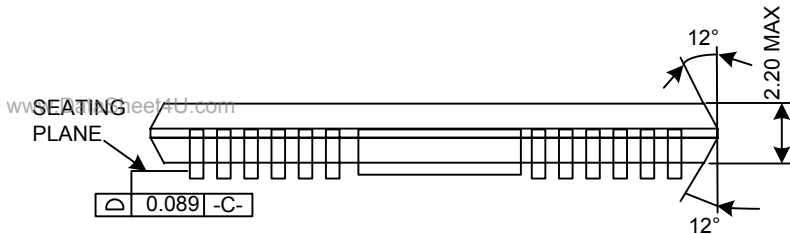
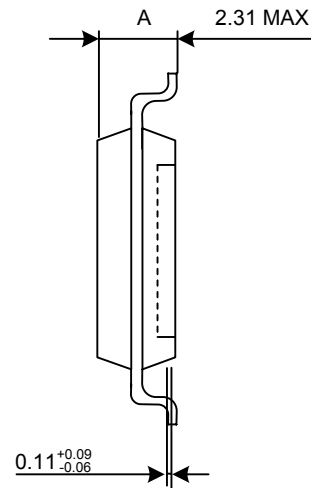
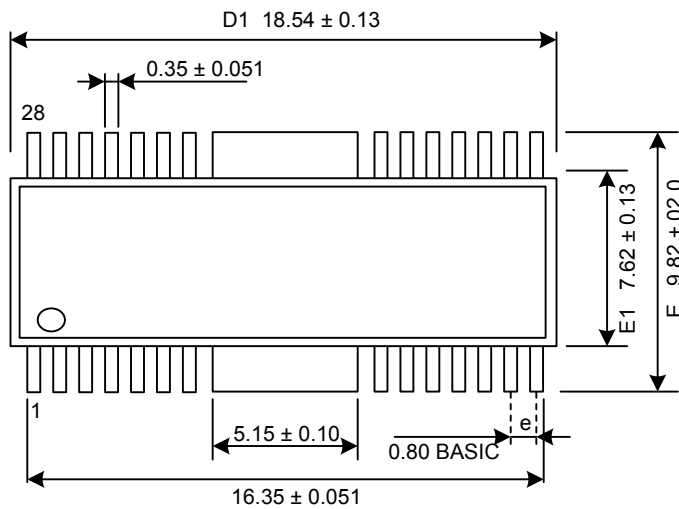
SM7498HL

3W STEREO AUDIO POWER AMPLIFIER WITH ADVANCED DC VOLUME CONTROL

PACKAGE OUTLINE

Unit : mm

SM7498HL 28 PIN HSOP (150mil)



NOTES:

1. CONTROLLING DIMENSIONS ARE IN MILLIMETERS (MM) .
2. DIMENSION D1&E1 DOES NOT INCLUDE MOLD PROTRUSION.
3. COPLANARITY OF ALL LEADS SHALL BE (BEFORE TEST) 0.089 MM MAX. FROM THE SEATING PLANE. UNLESS OTHERWISE SPECIFIED.