

Features

- Small height of 5.65 mm
- Operating temperature -40 °C to +85 °C
- RoHS compliant*

Applications

- Telecom

SM75056EL - T1/E1 Transformer

Electrical Specifications @ 25 °C

OCL (1-3)	mH min. @ 10 kHz, 0.1 V	1.2
OCL (6-8)	mH min. @ 10 kHz, 0.1 V	1.2
OCL (1-3)	μH min. @ 10 kHz, 0.1 V, (-40 °C to +85 °C)	600
OCL (6-8)	μH min. @ 10 kHz, 0.1 V, (-40 °C to +85 °C)	600
LL (1-3)	μH max. @ 100 kHz, 0.1 V short (16-14).....	0.6
LL (6-8)	μH max. @ 100 kHz, 0.1 V short (11-9).....	0.6
Cww (16-1)	pF max. @ 100 kHz, 0.1 V.....	30
Cww (11-6)	pF max. @ 100 kHz, 0.1 V.....	30
Turns Ratio	(1-3) : (16-14).....	1 : 1.26 ±2 %
	(6-8) : (11-9).....	1 : 1.26 ±2 %
DCR (1-3).....		0.8 ohm max.
DCR (6-8).....		0.8 ohm max.
Polarity (1, 16, 6, 11).....		Same phase
HIPOT	Between Windings	2000 VAC

Contact Area of Pins on the PCB

Minimum Total Contact Area.....5 mm²

Packaging Specifications

Tape & Reel* 700 pcs./reel

**"E" suffix before "L" in part number designates tape & reel packaging, e.g. SM75056EL.

How To Order

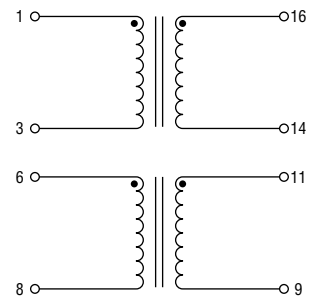
SM75056E L

Model _____

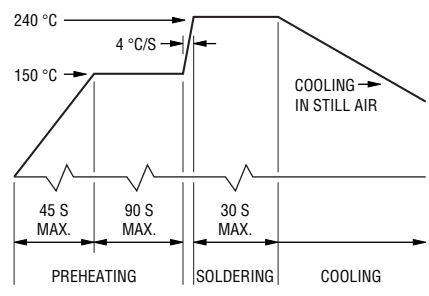
Termination _____

L = Tin only (RoHS Compliant)

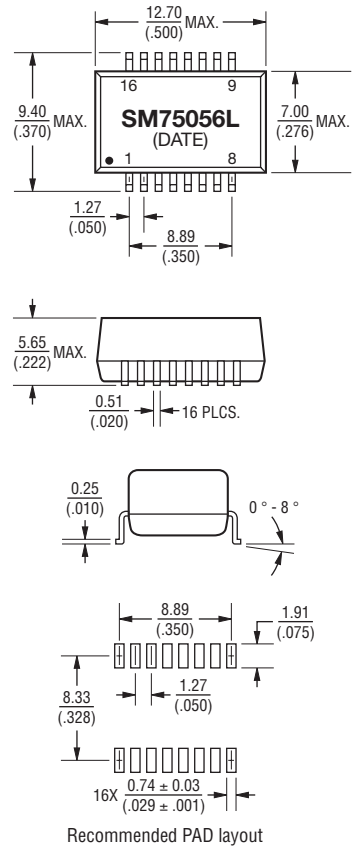
Electrical Schematic



Soldering Profile



Product Dimensions



DIMENSIONS: $\frac{\text{MM}}{\text{(INCHES)}}$

TOLERANCE: $\pm \frac{0.254}{(.010)}$

*RoHS Directive 2002/95/EC Jan 27, 2003 including Annex. Specifications are subject to change without notice. Customers should verify actual device performance in their specific applications