



American Opto Plus LED Corp.
0.8" SMD Type LED Display
SMA802W G/W
SMC802W G/W

● **FEATURES**

- 0.8 inch (20.32 mm) Digit Height.
- SMD type.
- Low current operation.
- Gray face, White segment.
- RoHS compliant, Pb Free.

● **DESCRIPTION**

The SMA802W G/W & SMC802W G/W are 0.8 inch (20.32mm) height
Dual 7-segment displays.

This device utilizes Super Bright White LED chip which are made from InGaN
On a transparent GaN, substrate.

The display has Gray face, White segment.

● **DEVICE**

PART NO	DESCRIPTION
SMA802W G/W	Common Anode
SMC802W G/W	Common Cathode

RoHS Compliance



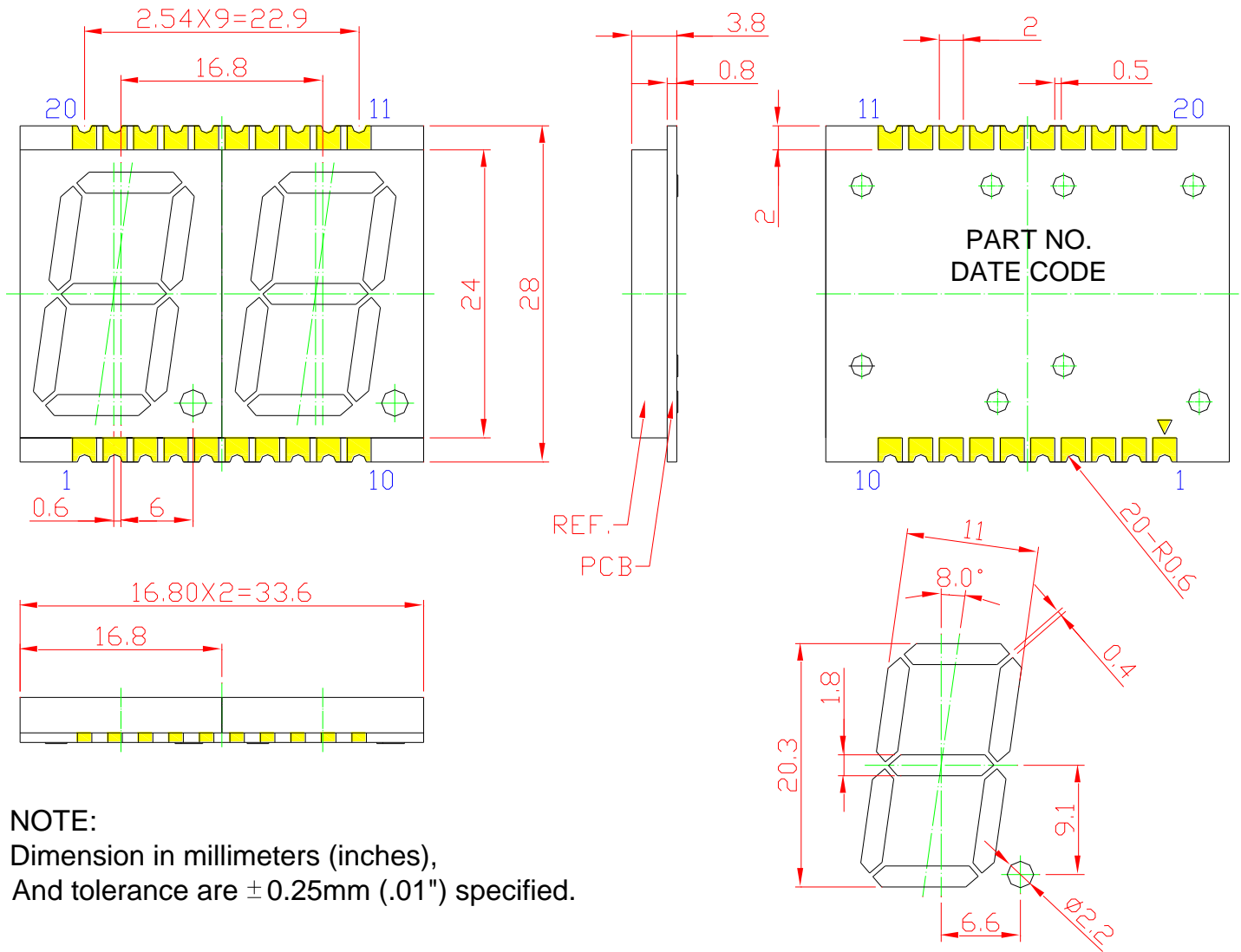
Pb free.





American Opto Plus LED Corp.
0.8" SMD Type LED Display
SMA802W G/W
SMC802W G/W

● **MECHANICAL DIMENSIONS**



NOTE:
 Dimension in millimeters (inches),
 And tolerance are $\pm 0.25\text{mm}$ (.01") specified.



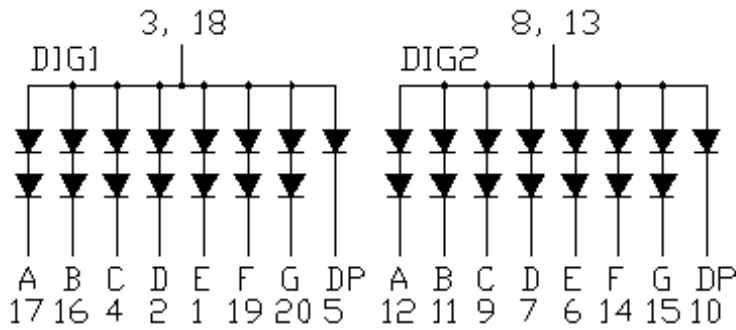
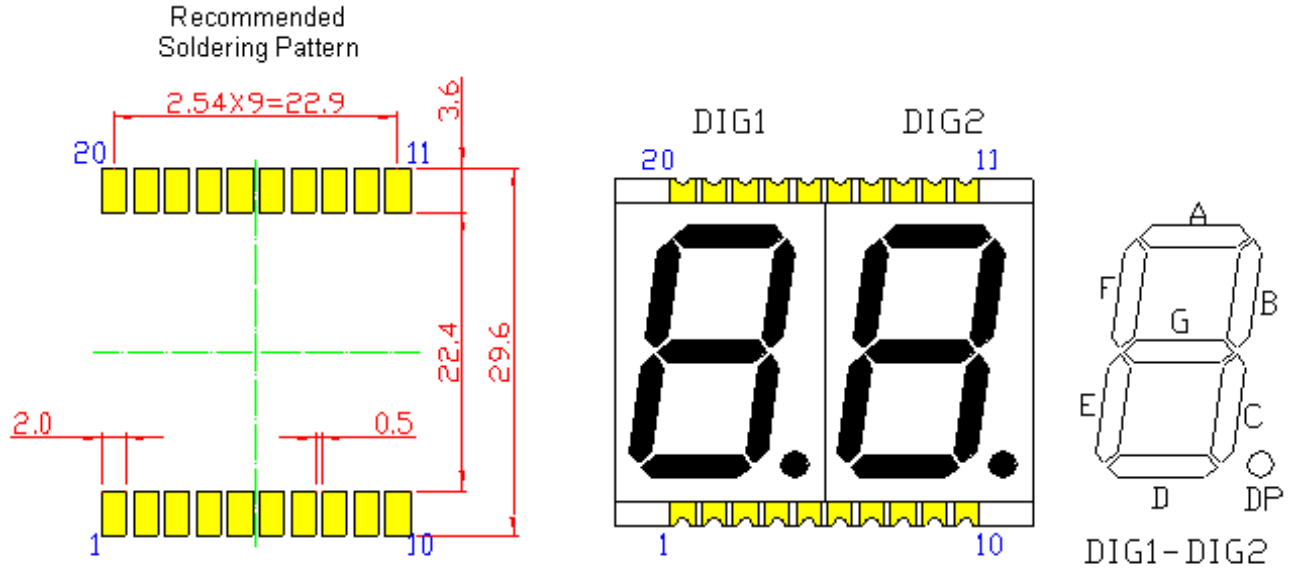
American Opto Plus LED Corp.

0.8" SMD Type LED Display

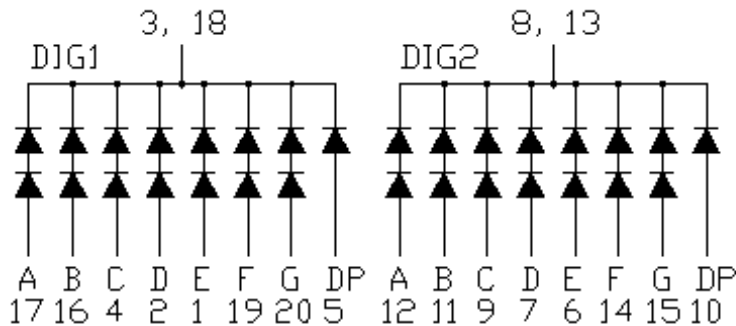
SMA802W G/W

SMC802W G/W

● TYPICAL INTERNAL EQUIVALENT CIRCUIT



(Common Anode)



(Common Cathode)



American Opto Plus LED Corp.
0.8" SMD Type LED Display
SMA802W G/W
SMC802W G/W

● **SUPER BRIGHT WHITE (InGaN/GaN)**

ABSOLUTE MAXIMUM RATING AT Ta=25°C

Parameter	Symbol	Maximum Rating	Unit
Power dissipation	P _{AD}	120	mW
Derating liner from 25°C	-	0.3	mA / °C
Continuous forward current	I _{AF}	30	mA
Peak current (duty cycle 1/10, 1kHz)	I _{PF}	100	mA
Reverse voltage	V _R	5	V
Operating temperature	T _{OPR}	-40 to +105	°C
Storage temperature	T _{STG}	-40 to +105	°C

ELECTRICAL - OPTICAL CHARACTERISTICS AT Ta=25°C

Characteristic	Symbol	Condition	Min.	Type.	Max.	Unit
Forward voltage	V _F	I _F =5mA	-	3.2	4.0	V
Reverse current	I _R	V _R =8V	-	-	10	μA
Chromaticity coordinate	X	I _F =5mA	-	0.29	-	-
	Y	I _F =5mA	-	0.29	-	-
Luminous intensity	I _v	I _F =5mA	-	37.5	-	mcd
Spectral radiation bandwidth	Δλ	I _F =5mA	-	30	-	nm



American Opto Plus LED Corp.

0.8" SMD Type LED Display

SMA802W G/W

SMC802W G/W

● SUPER BRIGHT WHITE (InGaN/GaN) CURVE

Typical Electro-optical Characteristic Curves
(25 °C Free Air Temperature Unless Otherwise Specified)

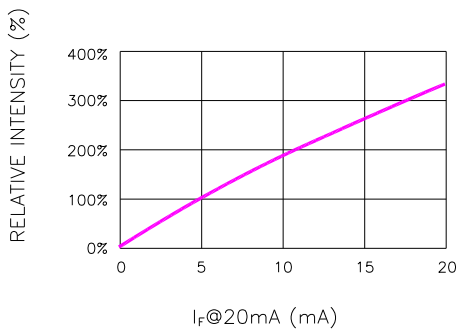


Fig.1 RELATIVE INTENSITY VS. FORWARD CURRENT

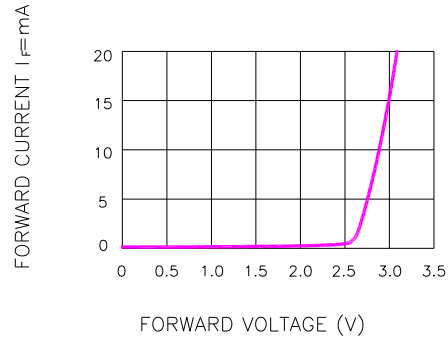


Fig.2 FORWARD CURRENT VS. FORWARD VOLTAGE

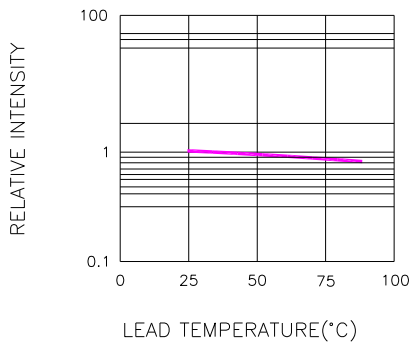


Fig.3 RELATIVE INTENSITY VS. LEAD TEMPERATURE
(PULSED 20 mA; 300us PULSE, 10ms PERIOD)

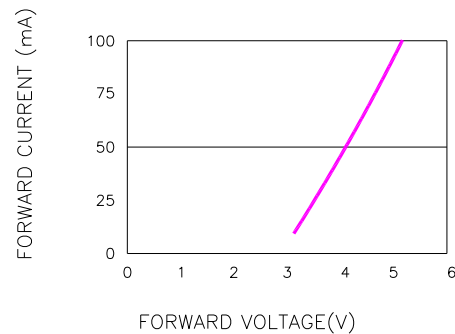


Fig.4 PEAK FORWARD VOLTAGE VS. FORWARD CURRENT
(100us TEST PULSE, 1% DUTY CYCLE)

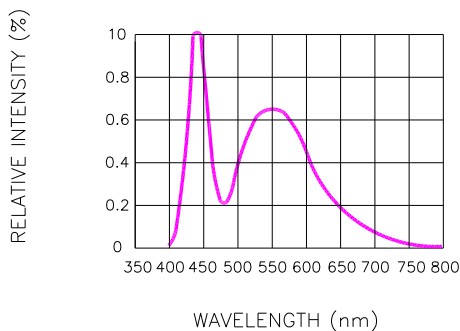


Fig.4 RELATIVE INTENSITY VS. WAVELENGTH

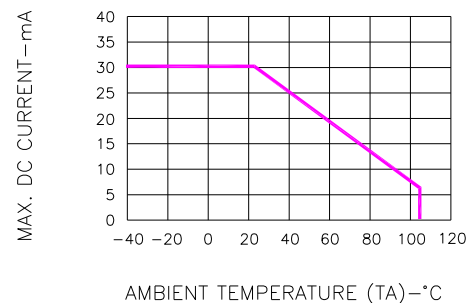


Fig.7 MAX. ALLOWABLE DC CURRENT VS. AMBIENT TEMPERATURE

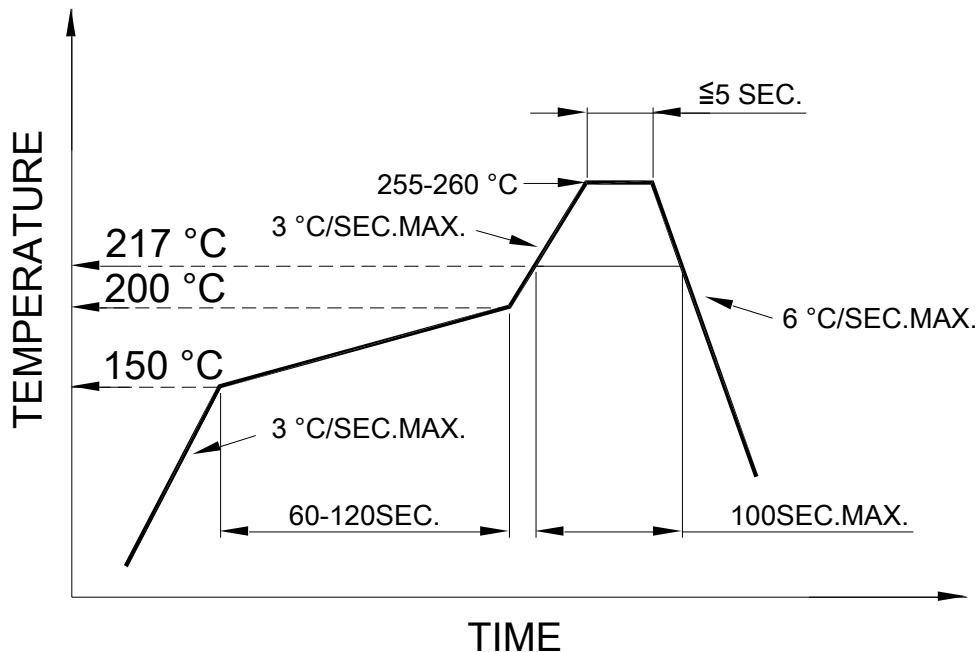


American Opto Plus LED Corp.
0.8" SMD Type LED Display
SMA802W G/W
SMC802W G/W

● **RECOMMEND SOLDERING PROFILE**

SMT Soldering Profile

Pb free reflow soldering Profile



● **SOLDERING IRON**

Basic specification : ≤ 4 seconds when 260°C, If temperature is higher, time should be shorter (+10°C → 1 sec). Power dissipation of iron should be smaller than 15W, and temperature should be controllable. Surface temperature of the device should be under 230°C.

● **REWORK**

Customer must finish rework within ≤ 3 sec under 350°C.