

2.50mm (0.098") PITCH CONNECTOR

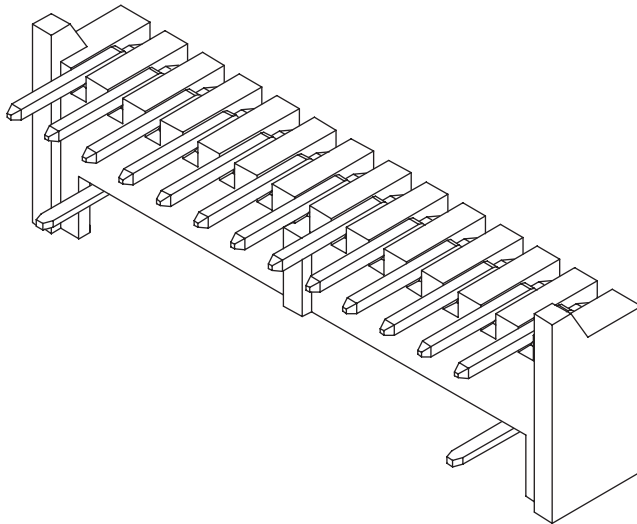


Wire-to-Board
Wafer

SMAW250A Series

DIP

Right Angle

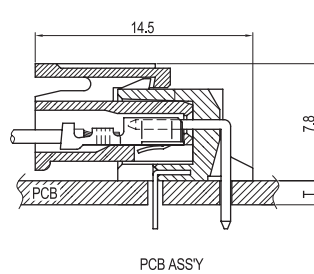
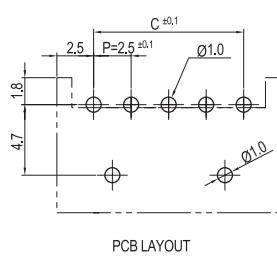
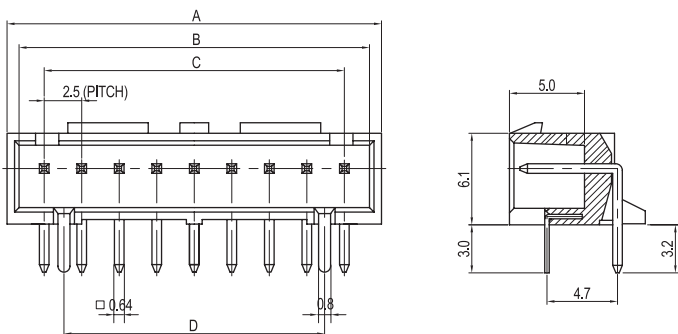
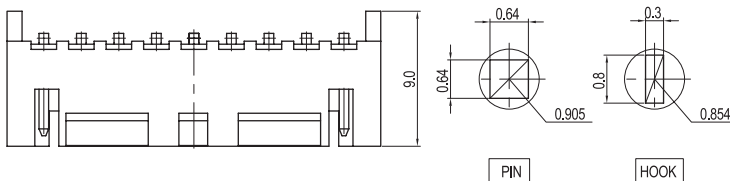


Material

| I/NO | DESCRIPTION | TITLE | MATERIAL |
|------|-------------|----------|--------------------|
| 1 | WAFER | SMAW250A | PA66, UL94 V Grade |
| 2 | PIN | | Brass & Tin-Plated |
| 3 | HOOK | | Brass & Tin-Plated |

Available Pin

| PARTS NO. | A | B | C |
|--------------|-------|-------|-------|
| SMAW250A-02P | 7.50 | 5.90 | - |
| SMAW250A-03P | 10.00 | 8.40 | - |
| SMAW250A-04P | 12.50 | 10.90 | 5.00 |
| SMAW250A-05P | 15.00 | 13.40 | 7.50 |
| SMAW250A-06P | 17.50 | 15.90 | 10.00 |
| SMAW250A-07P | 20.00 | 18.40 | 12.50 |
| SMAW250A-08P | 22.50 | 20.90 | 15.00 |
| SMAW250A-09P | 25.00 | 23.40 | 17.50 |
| SMAW250A-10P | 27.50 | 25.90 | 20.00 |
| SMAW250A-11P | 30.00 | 28.40 | 22.50 |
| SMAW250A-12P | 32.50 | 30.90 | 25.00 |
| SMAW250A-13P | 35.00 | 33.40 | 27.50 |
| SMAW250A-14P | 37.50 | 35.90 | 30.00 |
| SMAW250A-15P | 40.00 | 38.40 | 32.50 |



Specification

| ITEM | SPEC |
|------------------------|--------------|
| Voltage Rating | AC/DC 250V |
| Current Rating | AC/DC 3A |
| Operating Temperature | -25°C~+85°C |
| Contact Resistance | 30mΩ MAX |
| Withstanding Voltage | AC1000V/1min |
| Insulation Resistance | 1000MΩ MIN |
| Applicable Wire | - |
| Applicable P.C.B | - |
| Applicable FPC/FFC | - |
| Solder Height | - |
| Crimp Tensile Strength | - |
| UL FILE NO | E108706 |