

PROTECTION PRODUCTS

Description

The SMDAxxC-7 series of transient voltage suppressors are designed to protect components which are connected to data and transmission lines from voltage surges caused by electrostatic discharge (ESD), electrical fast transients (EFT), and lightning.

TVS diodes are characterized by their high surge capability, low operating and clamping voltages, and fast response time. This makes them ideal for use as board level protection of sensitive semiconductor components. The SMDAxxC-7 is designed to provide transient suppression on multiple data lines and I/O ports. The low profile SO-8 design allows the user to protect up to seven data and I/O lines with one package.

The SMDAxxC-7 TVS diode array will meet the surge requirements of IEC 61000-4-2 (Formerly IEC 801-2), Level 4, "Human Body Model" for air and contact discharge.

Features

- ◆ Transient protection for data lines to **IEC 61000-4-2 (ESD) $\pm 15\text{kV}$ (air), $\pm 8\text{kV}$ (contact)**
IEC 61000-4-4 (EFT) 40A (5/50ns)
IEC 61000-4-5 (Lightning) 12A (8/20 μs)
- ◆ Small SO-8 surface mount package
- ◆ Protects seven I/O lines
- ◆ Working voltages: 5V, 12V, 15V and 24V
- ◆ Low leakage current
- ◆ Low operating and clamping voltages
- ◆ Solid-state silicon avalanche technology

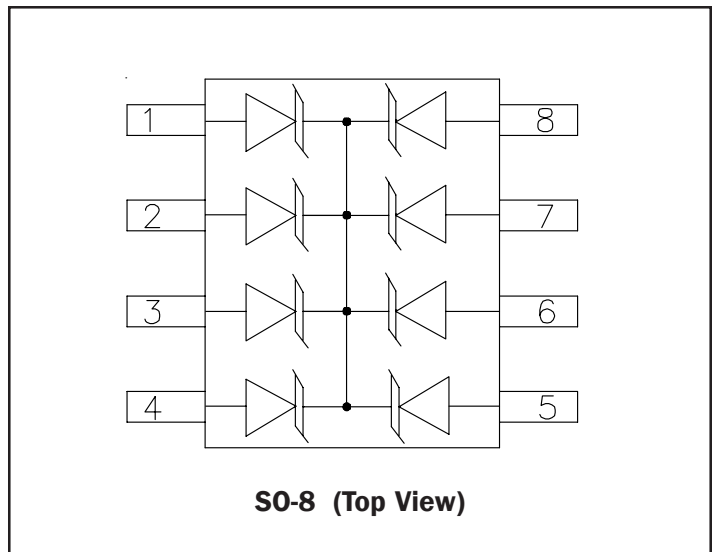
Mechanical Characteristics

- ◆ JEDEC SO-8 package
- ◆ Molding compound flammability rating: UL 94V-0
- ◆ Marking : Part number, date code, logo
- ◆ Packaging : Tube or Tape and Reel per EIA 481

Applications

- ◆ RS-232 and RS-422 Data Lines
- ◆ Microprocessor Based Equipment
- ◆ LAN/WAN Equipment
- ◆ Notebooks, Desktops, and Servers
- ◆ Instrumentation
- ◆ Peripherals
- ◆ Set Top Box
- ◆ Serial and Parallel Ports

Schematic and PIN Configuration



PROTECTION PRODUCTS
Absolute Maximum Rating

| Rating | Symbol | Value | Units |
|--------------------------------|------------------|---------------|-------|
| Peak Pulse Power (tp = 8/20μs) | P _{pk} | 300 | Watts |
| Lead Soldering Temperature | T _L | 260 (10 sec.) | °C |
| Operating Temperature | T _J | -55 to +125 | °C |
| Storage Temperature | T _{STG} | -55 to +150 | °C |

Electrical Characteristics

| SMDA05C-7 | | | | | | |
|----------------------------|------------------|--|---------|---------|---------|-------|
| Parameter | Symbol | Conditions | Minimum | Typical | Maximum | Units |
| Reverse Stand-Off Voltage | V _{RWM} | | | | 5 | V |
| Reverse Breakdown Voltage | V _{BR} | I _t = 1mA | 6 | | | V |
| Reverse Leakage Current | I _R | V _{RWM} = 5V, T=25°C | | | 20 | μA |
| Clamping Voltage | V _C | I _{PP} = 1A, tp = 8/20μs | | | 9.8 | V |
| Maximum Peak Pulse Current | I _{PP} | tp = 8/20μs | | | 17 | A |
| Junction Capacitance | C _J | Between I/O Pins and Ground V _R = 0V, f = 1MHz | | | 350 | pF |

| SMDA12C-7 | | | | | | |
|----------------------------|------------------|--|---------|---------|---------|-------|
| Parameter | Symbol | Conditions | Minimum | Typical | Maximum | Units |
| Reverse Stand-Off Voltage | V _{RWM} | | | | 12 | V |
| Reverse Breakdown Voltage | V _{BR} | I _t = 1mA | 13.3 | | | V |
| Reverse Leakage Current | I _R | V _{RWM} = 12V, T=25°C | | | 1 | μA |
| Clamping Voltage | V _C | I _{PP} = 1A, tp = 8/20μs | | | 19 | V |
| Maximum Peak Pulse Current | I _{PP} | tp = 8/20μs | | | 12 | A |
| Junction Capacitance | C _J | Between I/O Pins and Ground V _R = 0V, f = 1MHz | | | 120 | pF |

PROTECTION PRODUCTS
Electrical Characteristics (Continued)

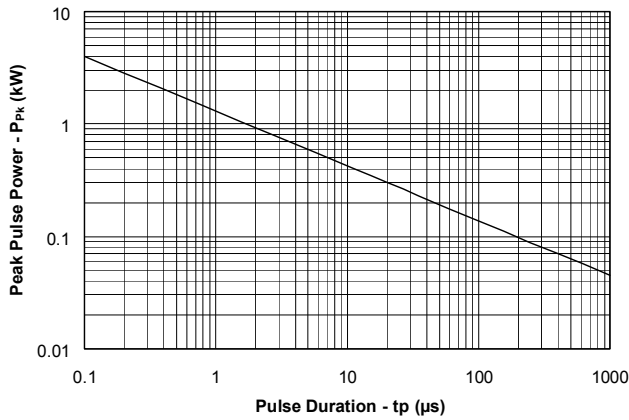
| SMDA15C-7 | | | | | | |
|----------------------------|---------------|---|----------------|----------------|----------------|--------------|
| Parameter | Symbol | Conditions | Minimum | Typical | Maximum | Units |
| Reverse Stand-Off Voltage | V_{RWM} | | | | 15 | V |
| Reverse Breakdown Voltage | V_{BR} | $I_t = 1mA$ | 16.7 | | | V |
| Reverse Leakage Current | I_R | $V_{RWM} = 15V, T=25^{\circ}C$ | | | 1 | μA |
| Clamping Voltage | V_C | $I_{PP} = 1A, tp = 8/20\mu s$ | | | 24 | V |
| Maximum Peak Pulse Current | I_{PP} | $tp = 8/20\mu s$ | | | 10 | A |
| Junction Capacitance | C_j | Between I/O Pins and Ground $V_R = 0V, f = 1MHz$ | | | 75 | pF |

| SMDA24C-7 | | | | | | |
|----------------------------|---------------|---|----------------|----------------|----------------|--------------|
| Parameter | Symbol | Conditions | Minimum | Typical | Maximum | Units |
| Reverse Stand-Off Voltage | V_{RWM} | | | | 24 | V |
| Reverse Breakdown Voltage | V_{BR} | $I_t = 1mA$ | 26.7 | | | V |
| Reverse Leakage Current | I_R | $V_{RWM} = 24V, T=25^{\circ}C$ | | | 1 | μA |
| Clamping Voltage | V_C | $I_{PP} = 1A, tp = 8/20\mu s$ | | | 43 | V |
| Maximum Peak Pulse Current | I_{PP} | $tp = 8/20\mu s$ | | | 5 | A |
| Junction Capacitance | C_j | Between I/O Pins and Ground $V_R = 0V, f = 1MHz$ | | | 50 | pF |

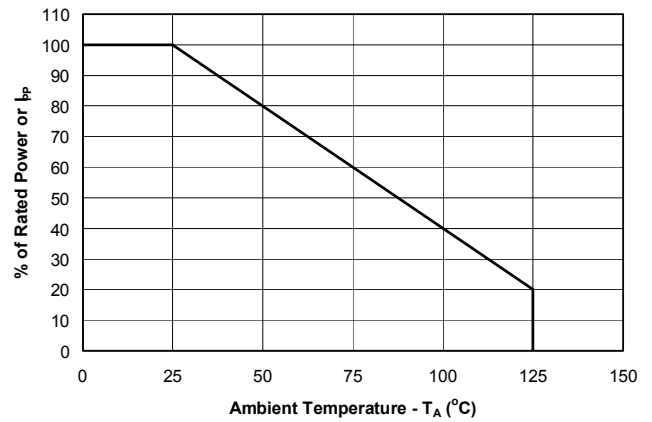
PROTECTION PRODUCTS

Typical Characteristics

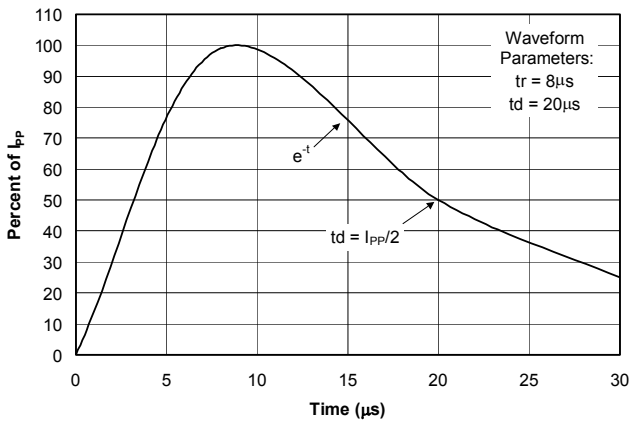
Non-Repetitive Peak Pulse Power vs. Pulse Time



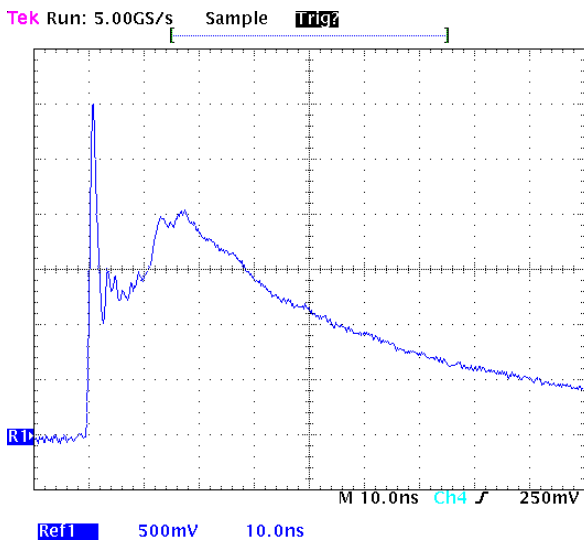
Power Derating Curve



Pulse Waveform



ESD Pulse Waveform (IEC 61000-4-2)



IEC 61000-4-2 Discharge Parameters

| Level | First Peak Current (A) | Peak Current at 30 ns (A) | Peak Current at 60 ns (A) | Test Voltage (Contact Discharge) (kV) | Test Voltage (Air Discharge) (kV) |
|-------|------------------------|---------------------------|---------------------------|---------------------------------------|-----------------------------------|
| 1 | 7.5 | 4 | 8 | 2 | 2 |
| 2 | 15 | 8 | 4 | 4 | 4 |
| 3 | 22.5 | 12 | 6 | 6 | 8 |
| 4 | 30 | 16 | 8 | 8 | 15 |

PROTECTION PRODUCTS

Applications Information

Device Connection for Protection of Seven Data Lines

The SMDAxxC-7 is designed to protect up to 7 data or I/O lines. They are bidirectional devices and may be used on lines where the signal polarities are above and below ground.

The SMDAxxC-7 TVS arrays employ a monolithic structure. Therefore, the working voltage (V_{RWM}) and breakdown voltage (V_{BR}) specifications apply to the differential voltage between any two data line pins. For example, the SMDA24C-7 is designed for a maximum voltage excursion of $\pm 12V$ between any two data lines.

The device is connected as follows:

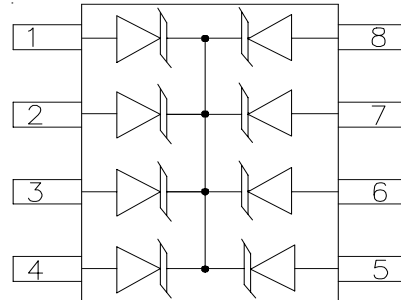
- Pins 1, 2, 3, 4, 5, 6 and 7 are connected to the lines that are to be protected. Pin 8 is connected to ground. The ground connections should be made directly to the ground plane for best results. The path length is kept as short as possible to reduce the effects of parasitic inductance in the board traces.

Circuit Board Layout Recommendations for Suppression of ESD.

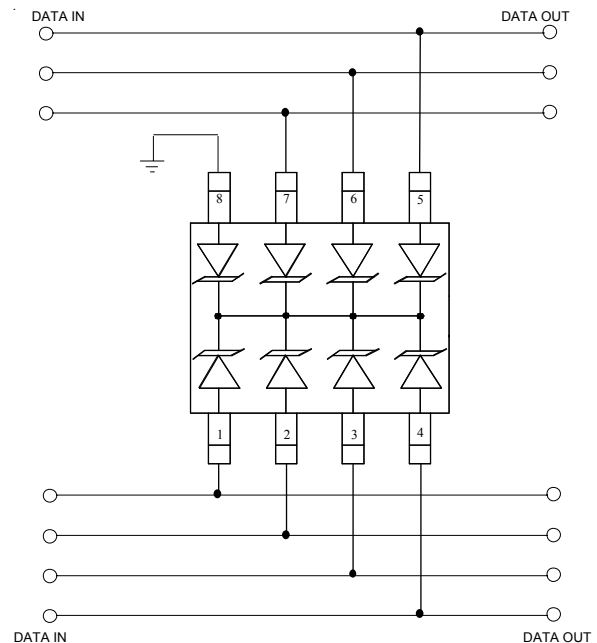
Good circuit board layout is critical for the suppression of ESD induced transients. The following guidelines are recommended:

- Place the TVS near the input terminals or connectors to restrict transient coupling.
- Minimize the path length between the TVS and the protected line.
- Minimize all conductive loops including power and ground loops.
- The ESD transient return path to ground should be kept as short as possible.
- Never run critical signals near board edges.
- Use ground planes whenever possible.

Circuit Diagram

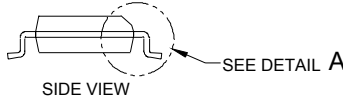
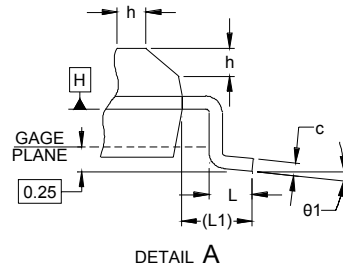
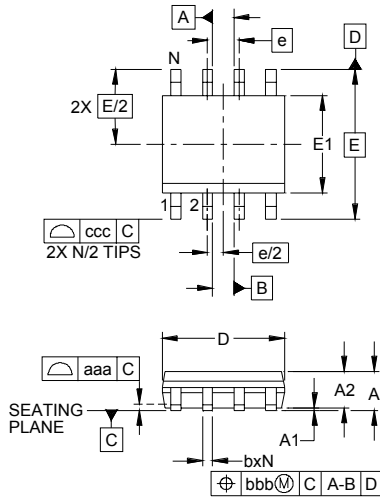


Connection Diagram



PROTECTION PRODUCTS

Outline Drawing - S0-8

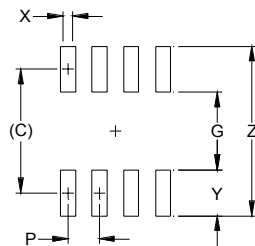


| DIM | DIMENSIONS | | | | | |
|--------|------------|------|------|-------------|------|------|
| | INCHES | | | MILLIMETERS | | |
| | MIN | NOM | MAX | MIN | NOM | MAX |
| A | .053 | - | .069 | 1.35 | - | 1.75 |
| A1 | .004 | - | .010 | 0.10 | - | 0.25 |
| A2 | .049 | - | .065 | 1.25 | - | 1.65 |
| b | .012 | - | .020 | 0.31 | - | 0.51 |
| c | .007 | - | .010 | 0.17 | - | 0.25 |
| D | .189 | .193 | .197 | 4.80 | 4.90 | 5.00 |
| E1 | .150 | .154 | .157 | 3.80 | 3.90 | 4.00 |
| E | .236 BSC | | | 6.00 BSC | | |
| e | .050 BSC | | | 1.27 BSC | | |
| h | .010 | - | .020 | 0.25 | - | 0.50 |
| L | .016 | .028 | .041 | 0.40 | 0.72 | 1.04 |
| L1 | (0.041) | | | (1.04) | | |
| N | 8 | | | 8 | | |
| theta1 | 0° | - | 8° | 0° | - | 8° |
| aaa | .004 | | | 0.10 | | |
| bbb | .010 | | | 0.25 | | |
| ccc | .008 | | | 0.20 | | |

NOTES:

1. CONTROLLING DIMENSIONS ARE IN MILLIMETERS (ANGLES IN DEGREES).
2. DATUMS **-A-** AND **-B-** TO BE DETERMINED AT DATUM PLANE **-H-**
3. DIMENSIONS "E1" AND "D" DO NOT INCLUDE MOLD FLASH, PROTRUSIONS OR GATE BURRS.
4. REFERENCE JEDEC STD MS-012, VARIATION AA.

Land Pattern - S0-8



| DIM | DIMENSIONS | |
|-----|------------|-------------|
| | INCHES | MILLIMETERS |
| C | (.205) | (5.20) |
| G | .118 | 3.00 |
| P | .050 | 1.27 |
| X | .024 | 0.60 |
| Y | .087 | 2.20 |
| Z | .291 | 7.40 |

NOTES:

1. THIS LAND PATTERN IS FOR REFERENCE PURPOSES ONLY. CONSULT YOUR MANUFACTURING GROUP TO ENSURE YOUR COMPANY'S MANUFACTURING GUIDELINES ARE MET.
2. REFERENCE IPC-SM-782A, RLP NO. 300A.

PROTECTION PRODUCTS**Ordering Information**

| Part Number | Lead Finish | Qty per Reel | Reel Size |
|--------------------|--------------------|---------------------|------------------|
| SMDA05C-7.TB | SnPb | 500 | 7 Inch |
| SMDA12C-7.TB | SnPb | 500 | 7 Inch |
| SMDA15C-7.TB | SnPb | 500 | 7 Inch |
| SMDA24C-7.TB | SnPb | 500 | 7 Inch |
| SMDA05C-7.TBT | Pb Free | 500 | 7 Inch |
| SMDA12C-7.TBT | Pb Free | 500 | 7 Inch |
| SMDA15C-7.TBT | Pb Free | 500 | 7 Inch |
| SMDA24C-7.TBT | Pb Free | 500 | 7 Inch |
| SMDA05C-7 | SnPb | 95/Tube | N/A |
| SMDA12C-7 | SnPb | 95/Tube | N/A |
| SMDA15C-7 | SnPb | 95/Tube | N/A |
| SMDA24C-7 | SnPb | 95/Tube | N/A |
| SMDA05C-7.T | Pb Free | 95/Tube | N/A |
| SMDA12C-7.T | Pb Free | 95/Tube | N/A |
| SMDA15C-7.T | Pb Free | 95/Tube | N/A |
| SMDA24C-7.T | Pb Free | 95/Tube | N/A |

Note: Lead-free devices are RoHS/WEEE Compliant

Contact Information

Semtech Corporation
Protection Products Division
200 Flynn Road, Camarillo, CA 93012
Phone: (805)498-2111 FAX (805)498-3804