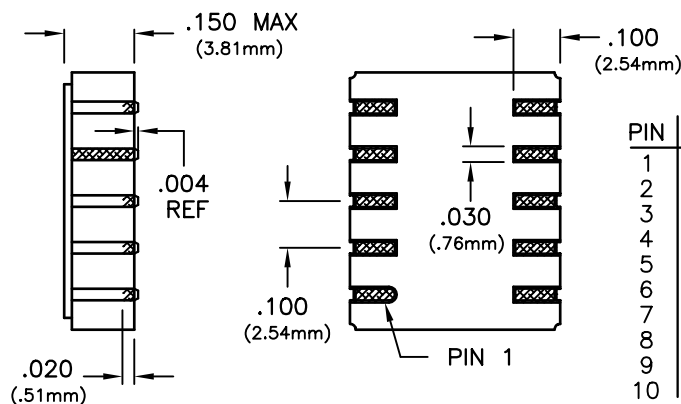
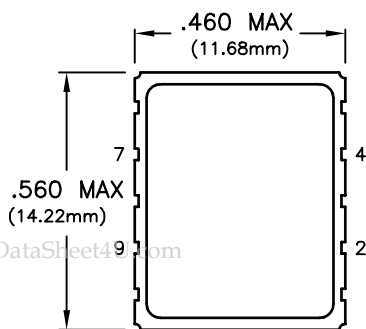


**SURFACE MOUNT HCMOS OSCILLATOR**

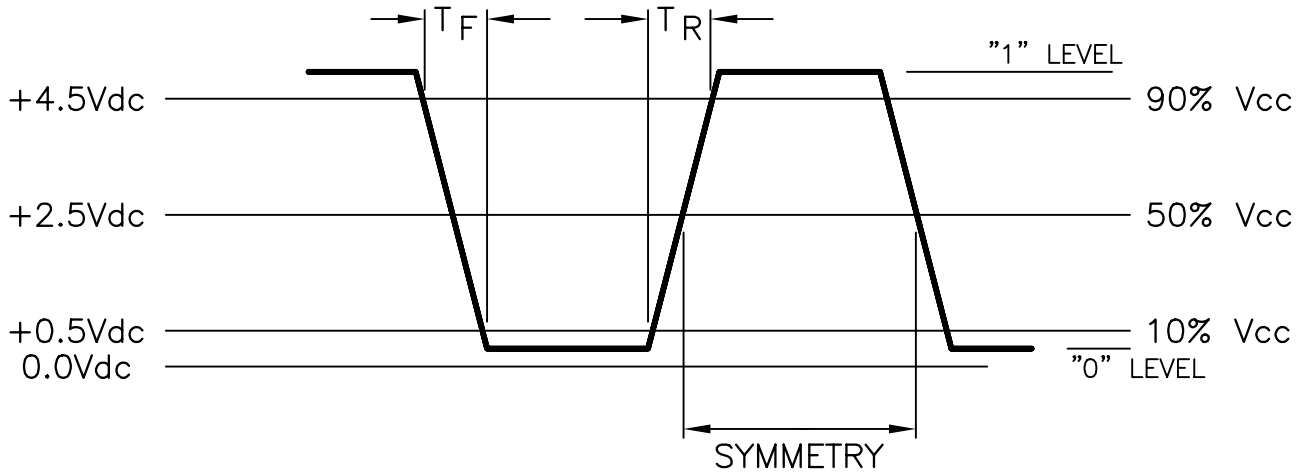
SPECIFICATIONS	SMH51R	SMH52R	SMH53R	SMH54R	
Frequency Range	200KHz to 70MHz				
Frequency Stability	±25ppm	±50ppm	±100ppm	±20ppm	
	(Inclusive of calibration tolerance at 25°C, operating temperature range, input voltage change, load change, aging, shock and vibration)				
Temperature Range	0°C to +70°C				
Output	Waveform	HCMOS Squarewave , TTL Compatible			
	Load	HCMOS - 50pF , TTL - 10 TTL			
	Voltage	Voh	4.5V Minimum		
		Vol	0.5V Maximum		
	Current	Ioh	-16mA		
		Iol	16mA		
	Duty Cycle	45/55 Maximum Measured @2.5Vdc			
Rise/Fall Time	7nS Maximum				
Input	Output E/D Time	100nS Maximum			
	Enable (Vih)	2.2V Minimum			
	Disable (Vil)	0.8V Maximum			
	Oscillator output is enabled with no connection on pin 2				
Start Up Time	10mS Maximum				
Supply Voltage	+5Vdc ±10%				
Supply Current	70mA Maximum				
Package	Hermetically sealed, leadless ceramic package				
Optional Suffix	T	Duty Cycle 45/55 Maximum Measured @1.4Vdc			



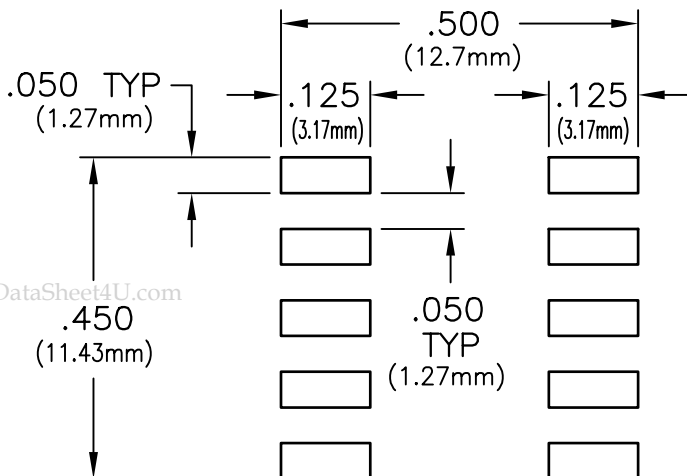
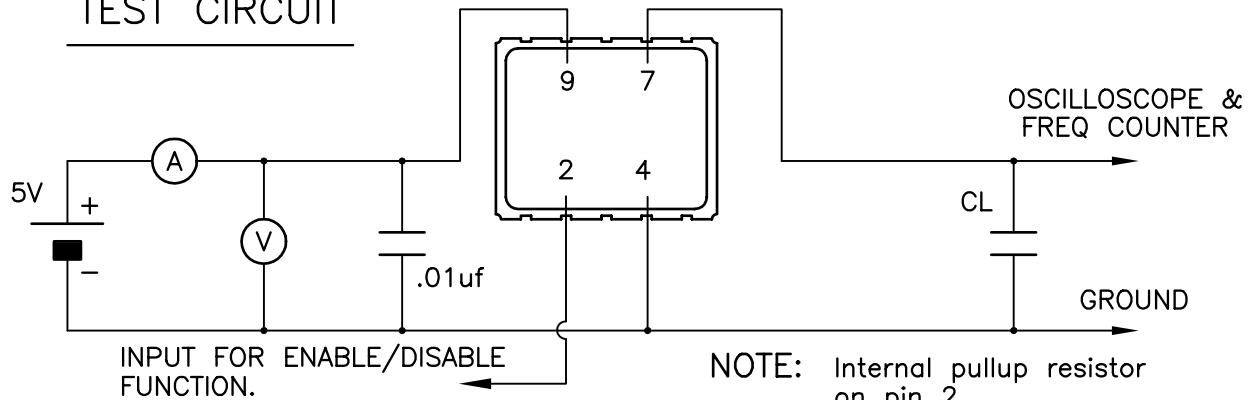
PIN	CONNECTION
1	N/C
2	ENABLE/DISABLE
3	N/C
4	GROUND
5	N/C
6	N/C
7	OUTPUT
8	N/C
9	+5Vdc SUPPLY
10	N/C

**SURFACE MOUNT HCMOS OSCILLATOR**

OUTPUT WAVEFORM



TEST CIRCUIT



SUGGESTED PAD LAYOUT