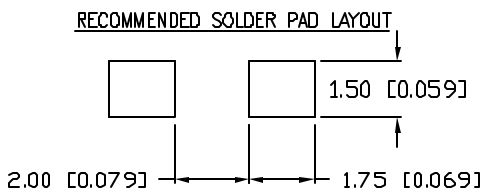
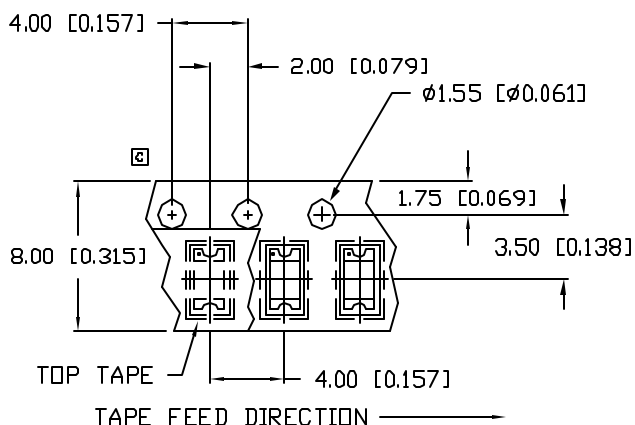
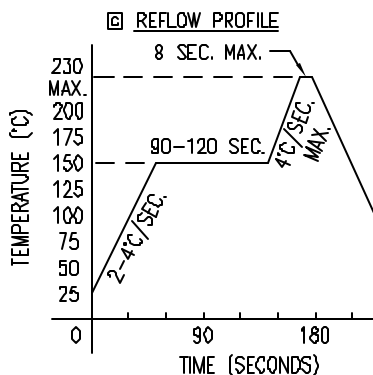
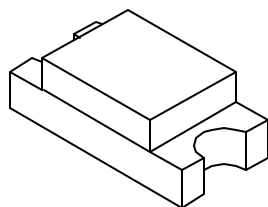
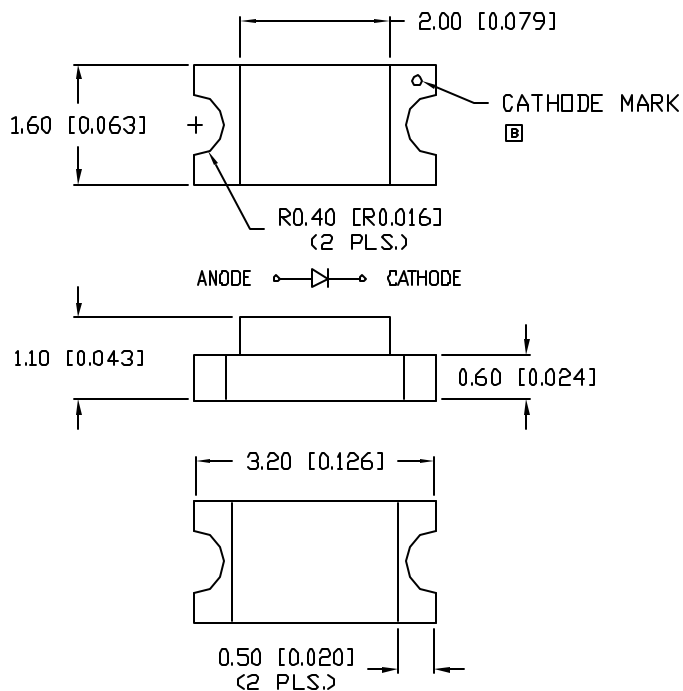


|                 |                                     |          |
|-----------------|-------------------------------------|----------|
| PART NUMBER     |                                     | REV.     |
| SML-LX1206IC-TR |                                     | C        |
| REV.            | E.C.N. NUMBER AND REVISION COMMENTS | DATE     |
| A               | ADDED TAPE DIRECTION AND POLARITY.  | 11.1.95  |
| B               | E.C.N. #10404.                      | 12.18.97 |
| C               | E.C.N. #10644. & REDRAWN IN 3D.     | 7.18.00  |



ELECTRO-OPTICAL CHARACTERISTICS  $T_A=25^\circ\text{C}$   $I_f=20\text{mA}$

| PARAMETER          | MIN         | TYP | MAX | UNITS    | TEST COND            |
|--------------------|-------------|-----|-----|----------|----------------------|
| PEAK WAVELENGTH    |             | 635 |     | nm       |                      |
| FORWARD VOLTAGE    |             | 2.0 | 2.6 | $V_f$    |                      |
| REVERSE VOLTAGE    | 5.0         |     |     | $V_r$    | $I_f=100\mu\text{A}$ |
| AXIAL INTENSITY    |             | 6   |     | mcad     | $I_f=20\text{mA}$    |
| VIEWING ANGLE      |             | 160 |     | 2x theta |                      |
| EMITTED COLOR:     | RED         |     |     |          |                      |
| EPOXY LENS FINISH: | WATER CLEAR |     |     |          |                      |

LIMITS OF SAFE OPERATION AT 25°C

| PARAMETER             | MAX        | UNITS |
|-----------------------|------------|-------|
| PEAK FORWARD CURRENT* | 100        | mA    |
| STEADY CURRENT        | 25         | mA    |
| POWER DISSIPATION     | 65         | mW    |
| DERATE FROM 25°C      | -1.2       | mW/°C |
| OPERATING TEMP.       | -25 TO +85 | °C    |
| STORAGE TEMP.         | -30 TO +85 | °C    |

NOTES:

- 3,000 PIECES PER REEL.
- THE CATHODE IS ORIENTED TOWARDS THE TAPE SPROCKET HOLE.

CAUTION: MOISTURE SENSITIVE DEVICE

- SHELF LIFE IN SEALED BAG:  
12 MONTHS AT <40°C AND <90% RELATIVE HUMIDITY (RH).
- AFTER THIS BAG IS OPENED, DEVICES HAVE TO BE MOUNTED WITHIN 48 HOURS OR STORED AT <30% RH.

\*UNLESS OTHERWISE SPECIFIED TOLERANCES PER DECIMAL PRECISION ARE: X=±1 (±0.039), XX=±0.5 (±0.020), XXX=±0.25 (±0.010), XXXX=±0.127 (±0.005). LEAD SIZE=±0.05 (0.002), LEAD LENGTH=±0.75 (±0.030), MIN.= +DECIMAL PRECISION -0.00, MAX.= +0.00 -DECIMAL PRECISION

|   |                 |
|---|-----------------|
| REV.  | PART NUMBER     |
| C   | SML-LX1206IC-TR |
| 3.2mm x 1.6mm PCB SURFACE MOUNT LED,<br>635nm RED LED,<br>WATER CLEAR LENS, TAPE AND REEL |                 |

**CONFIDENTIAL INFORMATION**

THE INFORMATION CONTAINED IN THIS DOCUMENT IS THE PROPERTY OF LUMEX INC. EXCEPT AS SPECIFICALLY AUTHORIZED IN WRITING BY LUMEX INC., THE HOLDER OF THIS DOCUMENT SHALL KEEP ALL INFORMATION CONTAINED HEREIN CONFIDENTIAL AND SHALL PROTECT SAME IN WHOLE OR IN PART FROM DISCLOSURE AND DISSEMINATION TO ALL THIRD PARTIES.

**RELIABILITY NOTE**

OUR MANY YEARS OF EXPERIENCE DATA ACCUMULATION INDICATE THAT SOLDER HEAT IS A MAJOR CAUSE OF EARLY AND FUTURE FAILURE. PLEASE PAY ATTENTION TO YOUR SOLDERING PROCESS.

290 E. HELEN ROAD  
PALATINE, IL 60067-6976  
PHONE: +1.847.359.2790  
US WEB: www.lumex.com  
TW WEB: www.lumex.com.tw

|           |             |              |               |
|-----------|-------------|--------------|---------------|
| DRAWN BY: | CHECKED BY: | APPROVED BY: | DATE: 4.21.95 |
| BC        |             |              |               |

www.DataSheet101.com  
PAGE 1 OF 1  
SCALE: N/A