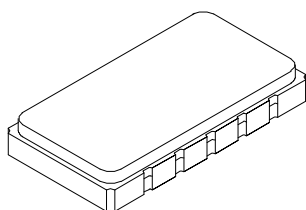


## 10-Terminal Ceramic Surface-Mount Case 13.3 x 6.5 mm Nominal Footprint

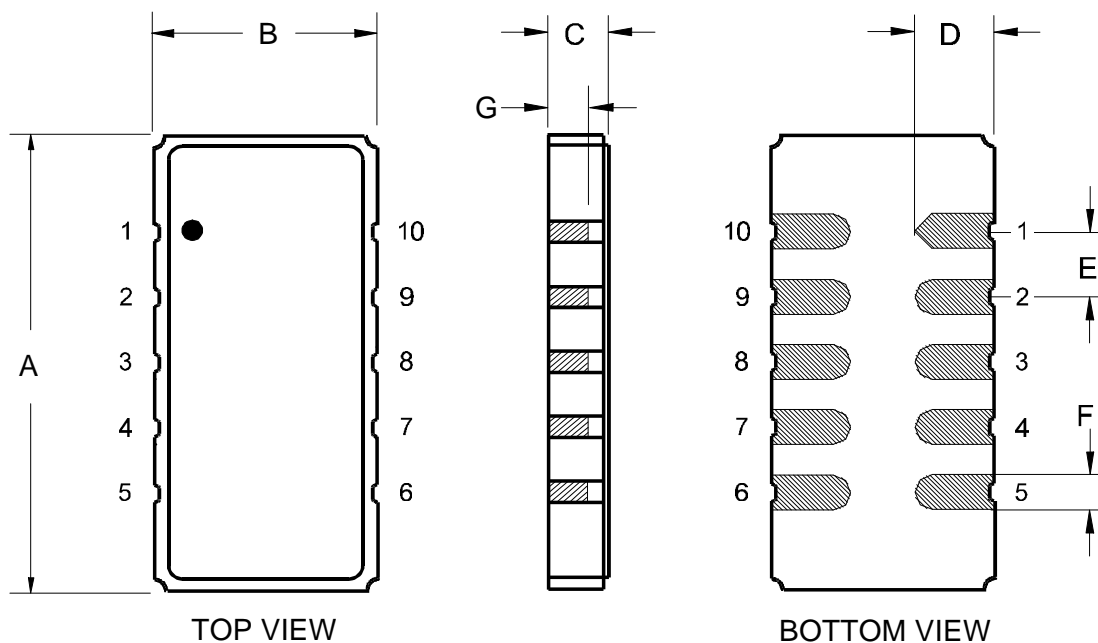


### Case Dimensions

Dimension	mm			Inches		
	Min	Nom	Max	Min	Nom	Max
A		13.3			.524	
B		6.5			.256	
C			2.00			.078
D		2.3			.091	
E		1.91			.075	
F		1.02			.040	
G		1.0			0.039	

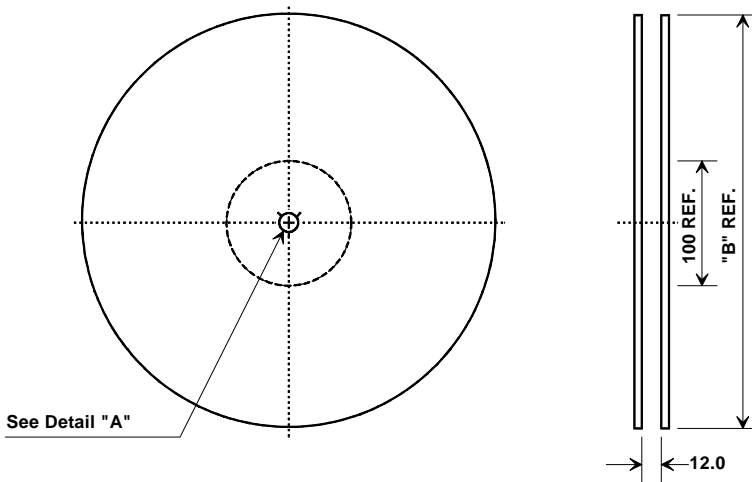
### Electrical Connections

Connection	Terminals
Port 1 Hot	10
Port 1 Gnd Return	1
Port 2 Hot	5
Port 2 Gnd Return	6
Case Ground	All others
<b>Single Ended Operation</b>	<b>Return is ground</b>
<b>Differential Operation</b>	<b>Return is hot</b>

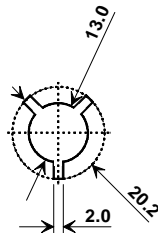


# SMP-53-S Case

## Tape and Reel Specifications



"B"		Quantity Per Reel
Inches	millimeters	
7	178	500
13	330	2000



### COMPONENT ORIENTATION and DIMENSIONS

Carrier Tape Dimensions	
Cover Tape	21.3 mm
Ao	.274 ± .004 (7.0)
Bo	.542 ± .004 (13.76)
Ko	.088 ± .004 (2.2)
Pitch	12 mm
W	24 mm
Tape Length	86 M
Pockets/M	83/M

