

RoHS Compliant Product
A suffix of "-C" specifies halogen & lead-free

FEATURES

- Schottky barrier rectifier
- Guard ring protection
- Low forward voltage
- Reverse energy tested
- High current capability
- Extremely low thermal resistance

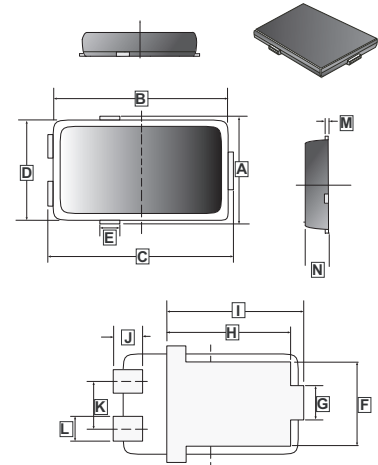
MECHANICAL DATA

- Case : TO-277A molded plastic body
- Polarity : Color band denotes cathode end
- Mounting position : Any

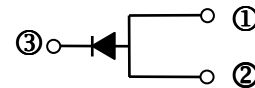
PACKAGE INFORMATION

Package	MPQ	Leader Size
TO-277A	4K	13' inch

TO-277A



REF.	Millimeter		REF.	Millimeter	
	Min.	Max.		Min.	Max.
A	4.4	4.8	H	4.05 Typ.	
B	5.9	6.3	J	4.4	4.8
C	6.3	6.7	K	2.0	2.2
D	4.1	4.5	L	1.0	1.4
E	0.65 Typ.		M	0.15	0.35
F	3.55	3.95	N	1.0	1.4
G	1.85	2.25			



MAXIMUM RATINGS AND ELECTRICAL CHARACTERISTICS

(Rating 25°C ambient temperature unless otherwise specified. Single phase, half wave, 60Hz, resistive or inductive load.
For capacitive load, de-rate current by 20%.)

Parameter	Symbol	Part Number			Unit
		SMP340	SMP360	SMP3100	
Maximum Repetitive peak Reverse Voltage	V_{RRM}	40	60	100	V
Maximum RMS Voltage	V_{RMS}	28	42	70	V
Maximum DC Blocking Voltage	V_{DC}	40	60	100	V
Maximum Average Forward Rectified Current @ $T_L = 90^\circ\text{C}$	$I_{F(AV)}$	3			A
Peak Forward Surge Current. 8.3ms Single Half Sine-Wave Superimposed On Rated Load (JEDEC method)	I_{FSM}	100			A
Maximum Instantaneous Forward Voltage @ $I_{FM}=3A^1$	V_F	0.50	0.75	0.85	V
Maximum DC Reverse Current at Rated DC Blocking Voltage	$T_J=25^\circ\text{C}$	0.5			mA
	$T_J=125^\circ\text{C}$	20	10		
Maximum Thermal Resistance Junction to Lead	$R_{\theta JL}$	17			°C / W
Operating Temperature Range	T_J	-55~125			°C
Storage Temperature Range	T_{STG}	-55~150			°C

Notes :

1. Pulse test : Pulse width 300µs, duty cycle 1%.

RATINGS AND CHARACTERISTIC CURVES

FIG.1 – FORWARD DERATING CURVE

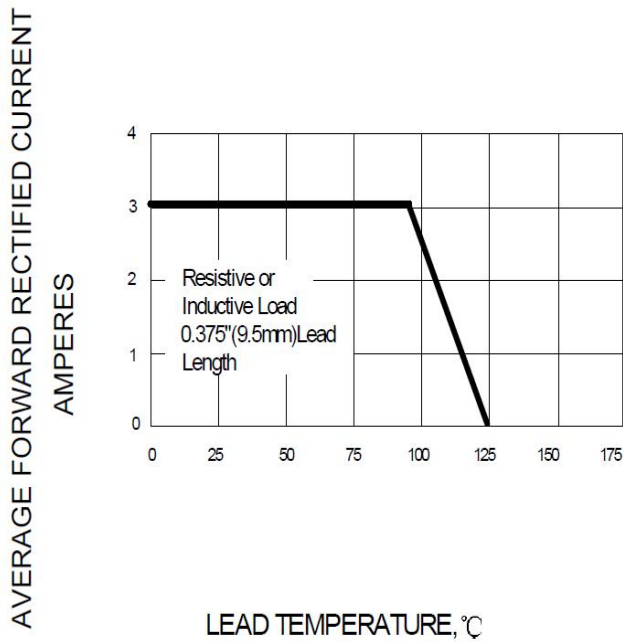


FIG.2 – PEAK FORWARD SURGE CURRENT

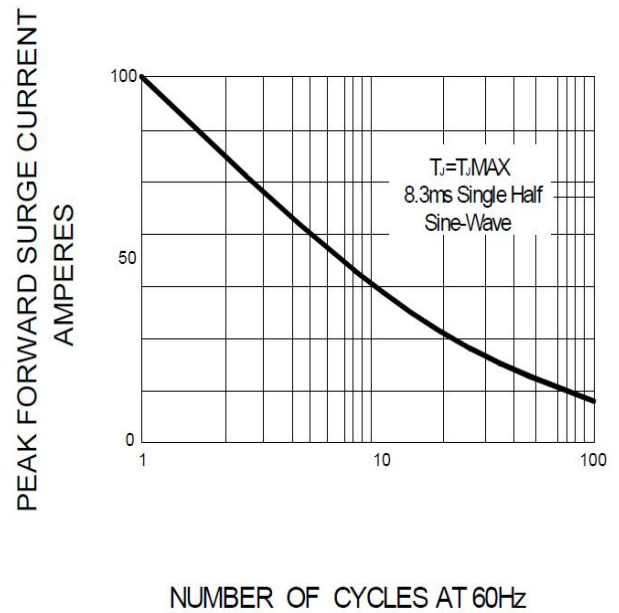


FIG.3 – TYPICAL INSTANTANEOUS FORWARD CHARACTERISTICS

