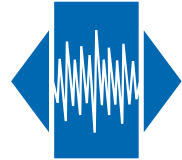


SMX-206L

Plastic moulded
SMD Watch Crystal

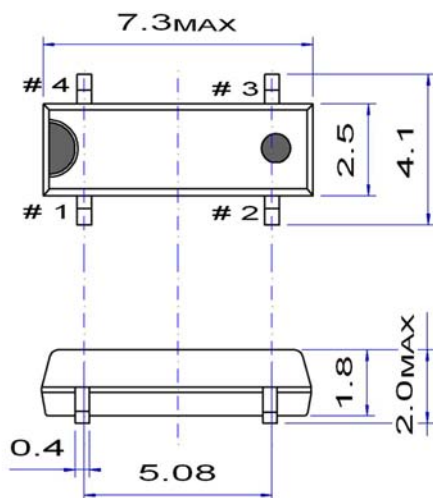
QuartzCom
the communications company



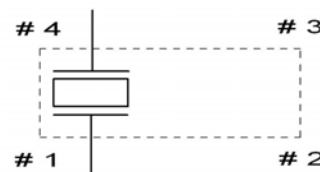
Features

- Applications: telecommunications, audio, medical
- Low profile moulded package
- Reliable, low cost crystal
- Reflow soldering @ 260 °C

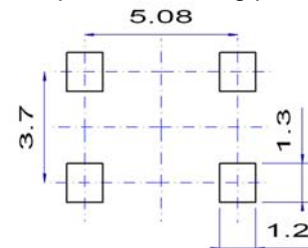
Parameter	Specification	
Nominal frequency	32.768 kHz	
Frequency tolerance	±20 ppm	@ +25 °C
Frequency stability vs. temperature	±100 ppm ±150 ppm	over -20 ~ +70 °C over -40 ~ +85 °C
Aging	±3 ppm	1 st year
Load capacitance	parallel resonance (CL = 8 ~ 12.5 pF)	
Series resistance	70 kΩ	Max.
Motional capacitance	2.5 fF	Typ.
Shunt capacitance	1.0 pF	Typ.
Drive level	0.1 μW Typical	< 0.5 μW
Turnover temperature	+25 °C	±5 °C
Temperature coefficient	-0.035 x (T-To) ² ppm/°C ²	
Operating temperature range	-20 ~ +70 °C -40 ~ +85 °C	commercial application industrial application
Storage temperature range	-55 ~ +125 °C	
Packaging unit	tape & reel	1'000 or 2'000 pieces
Customer specifications on request		



Pin function

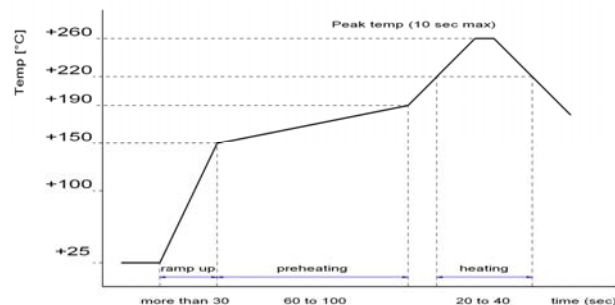


Example for soldering pattern



Do not design any conductive path between the pattern

Example for IR reflow soldering temperature



www.DataSheet4U.com

2002/95/EC RoHS compliant

QuartzCom AG
sales@quartzcom.com
www.quartzcom.com

QuartzCom Asia
sales-asia@quartzcom.com

QuartzCom USA
sales-usa@quartzcom.com

ISO 9001
BUREAU VERITAS
www.DataSheet4U.com

03 May, 10